



US00D566752S

(12) **United States Design Patent**
Stoneberg

(10) **Patent No.:** **US D566,752 S**

(45) **Date of Patent:** **** Apr. 15, 2008**

(54) **STAMPER**

(75) Inventor: **J. Bruce Stoneberg**, Oak Brook, IL
(US)

(73) Assignee: **Learning Resources, Inc.**, Vernon
Hills, IL (US)

(**) Term: **14 Years**

(21) Appl. No.: **29/255,619**

(22) Filed: **Mar. 10, 2006**

(51) **LOC (8) Cl.** **19-02**

(52) **U.S. Cl.** **D18/15**

(58) **Field of Classification Search** D18/14-21;
101/334, 327-328, 405, 352.07, DIG. 30;
118/264, 268; D5/4-6, 20-25, 62
See application file for complete search history.

(56) **References Cited**

U.S. PATENT DOCUMENTS

878,420	A *	2/1908	O'Sullivan	101/333
1,263,094	A	4/1918	Millea		
3,259,063	A	7/1966	Rothman		
3,973,495	A	8/1976	Rowe		
4,064,802	A *	12/1977	Funahashi	101/327
D261,151	S *	10/1981	Barbour	D18/14
4,395,948	A	8/1983	Monich		
4,757,616	A	7/1988	Hills		
D306,611	S	3/1990	Hills et al.		
5,191,837	A	3/1993	Bolton		
D362,455	S	9/1995	Bowers		
5,642,667	A	7/1997	Sastre		
D387,800	S *	12/1997	Daw et al.	D18/18
D399,868	S *	10/1998	Harden	D18/18
6,324,977	B1 *	12/2001	Hadden	101/405

6,708,614 B2 3/2004 Lookholder et al.
6,820,550 B2 11/2004 Lookholder et al.
6,879,394 B2 4/2005 Amblard et al.

* cited by examiner

Primary Examiner—Charles A. Rademaker

(74) *Attorney, Agent, or Firm*—Drinker Biddle & Reath LLP

(57) **CLAIM**

The ornamental design for a stamper, as shown and described.

DESCRIPTION

FIG. 1 is a front perspective view of a stamper showing my new design;

FIG. 2 is a right side elevation thereof, the side opposite being identical;

FIG. 3 is a front elevation thereof, the side opposite being identical;

FIG. 4 is a top plan view thereof;

FIG. 5 is a bottom plan view thereof;

FIG. 6 is front perspective view of a modified embodiment of the design shown in FIGS. 1 through 5;

FIG. 7 is a right side elevation thereof, the side opposite being identical;

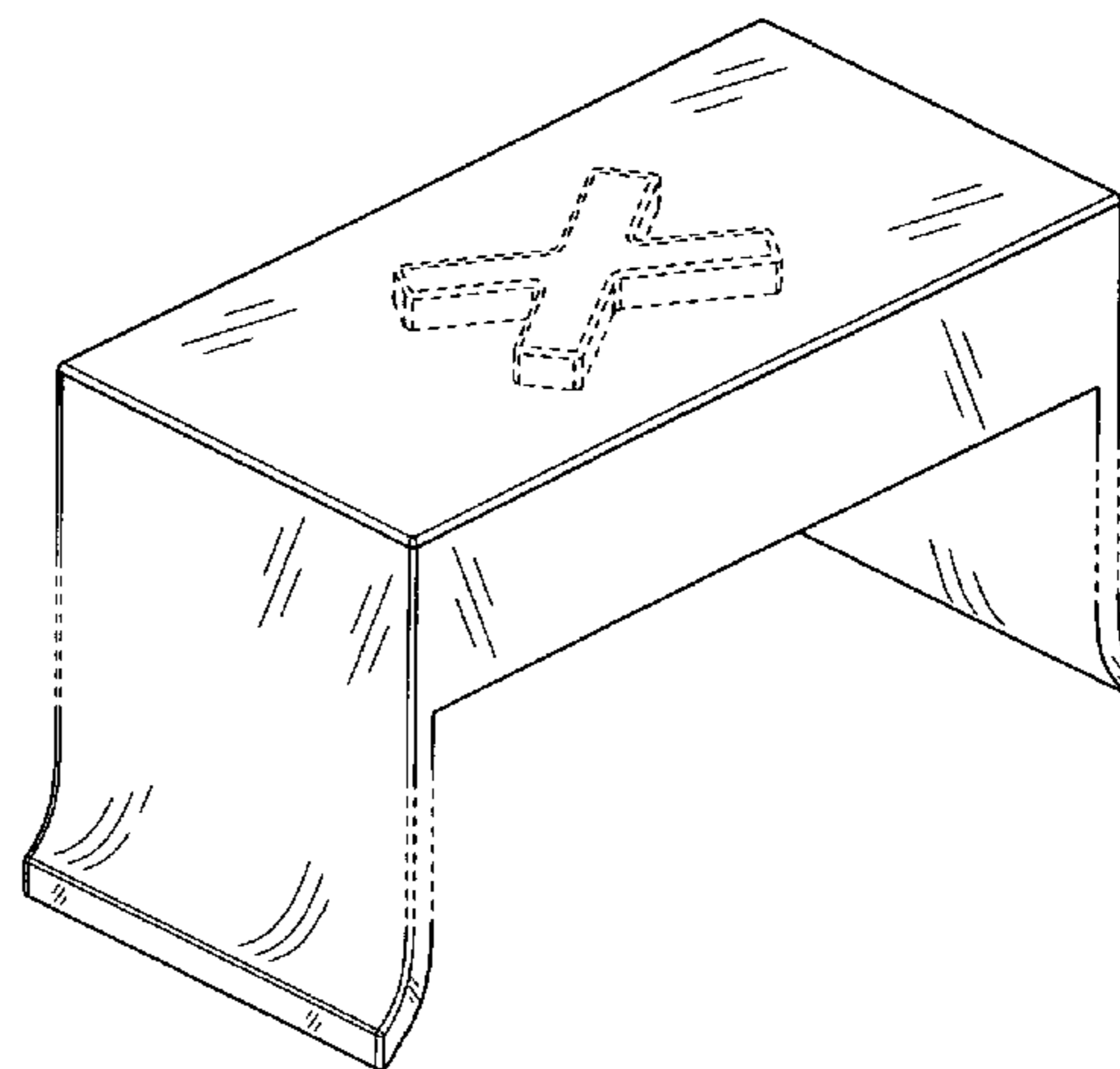
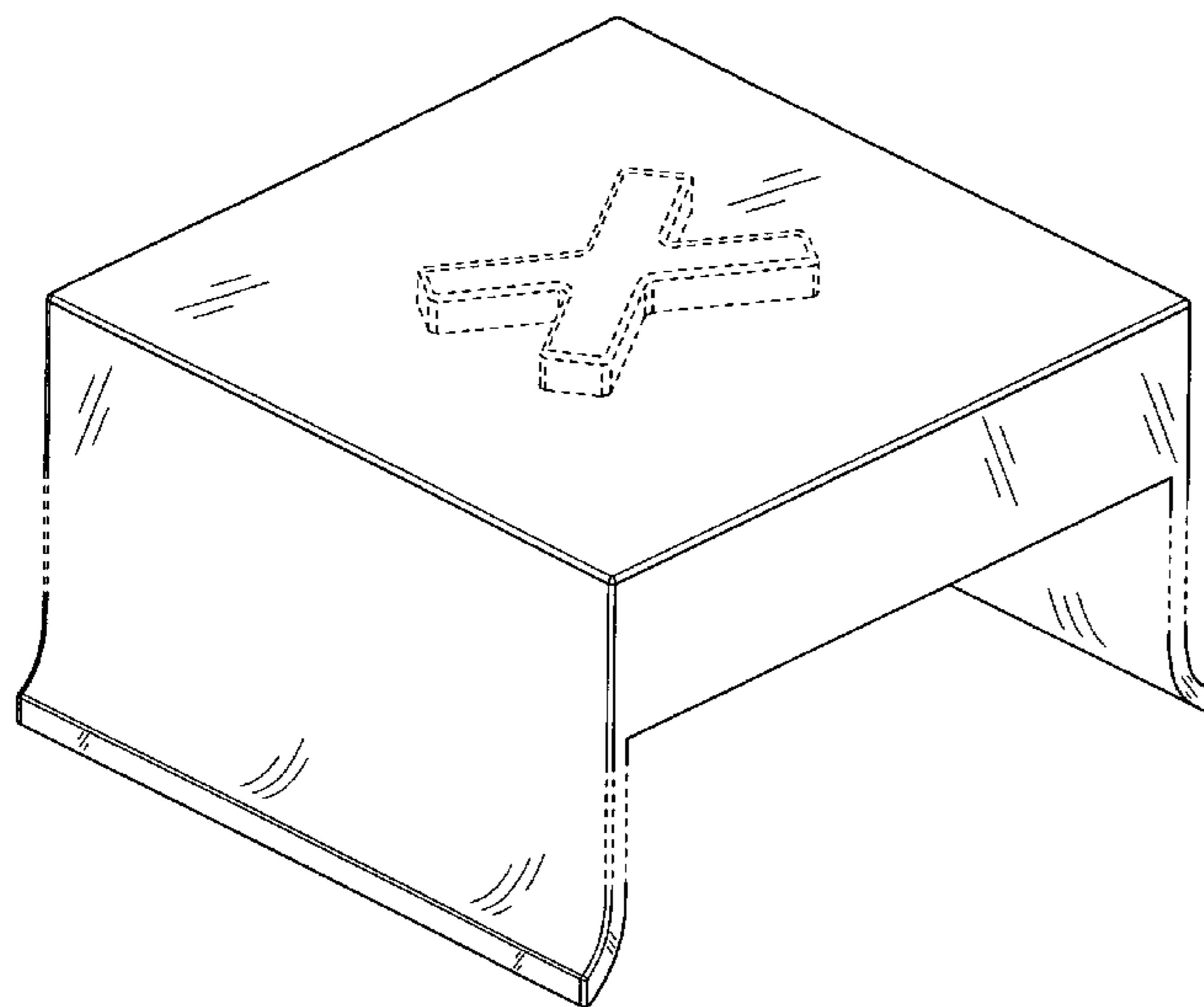
FIG. 8 is a front elevation thereof, the side opposite being identical;

FIG. 9 is a top plan view thereof; and,

FIG. 10 is a bottom plan view thereof.

The broken line shown in the drawings illustrate environmental structures and form no part of the claimed design.

1 Claim, 6 Drawing Sheets



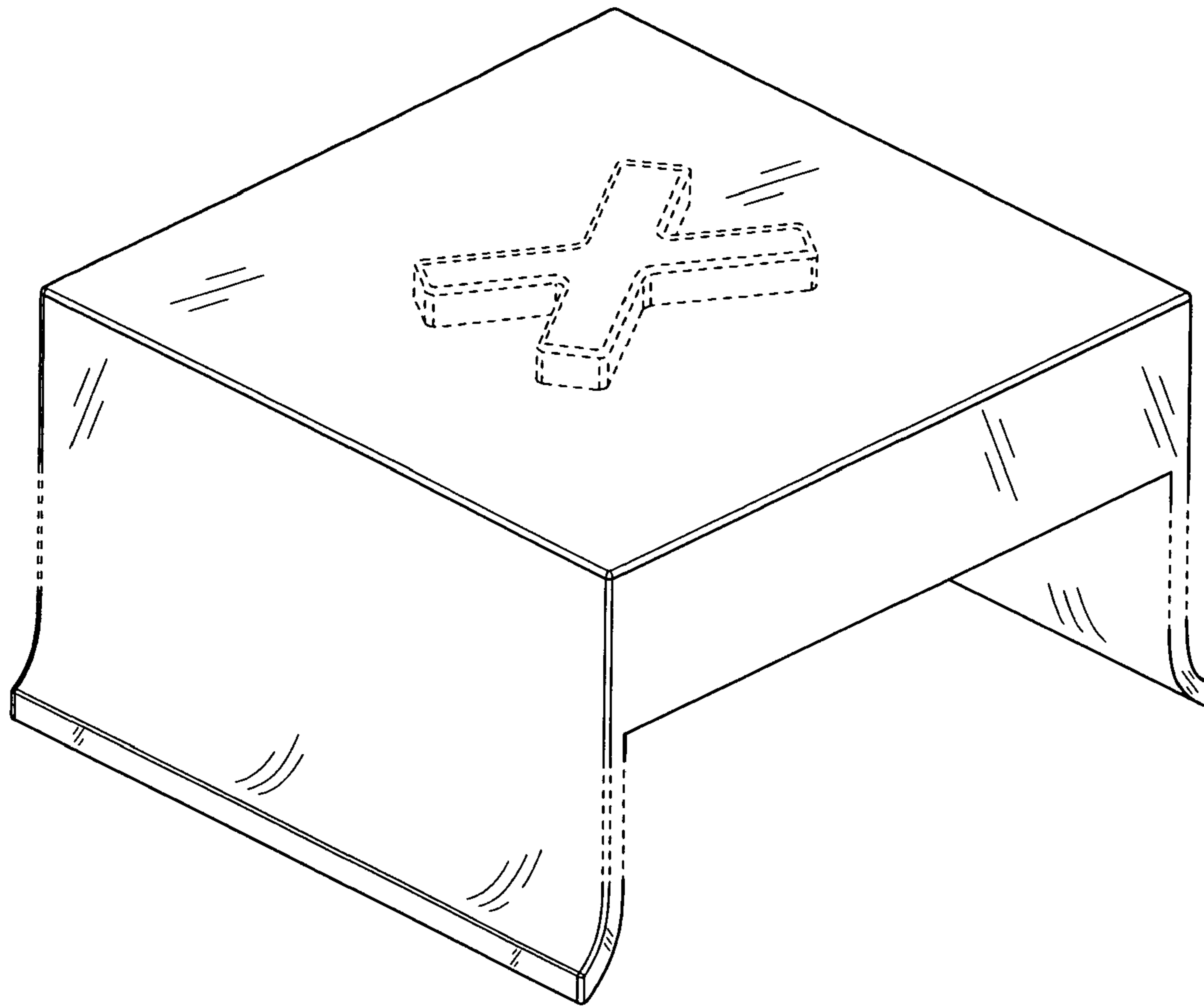


FIG. 1

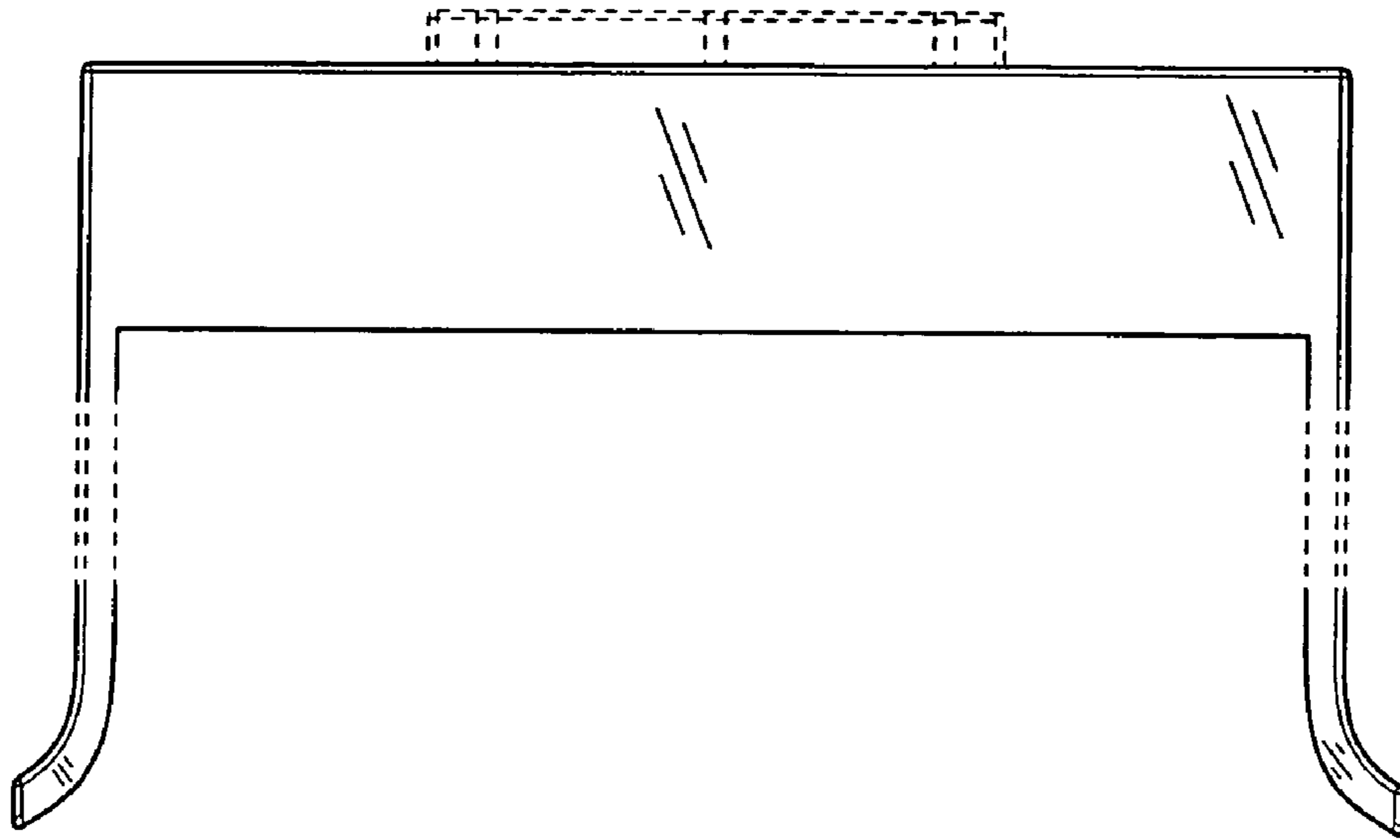


FIG. 2

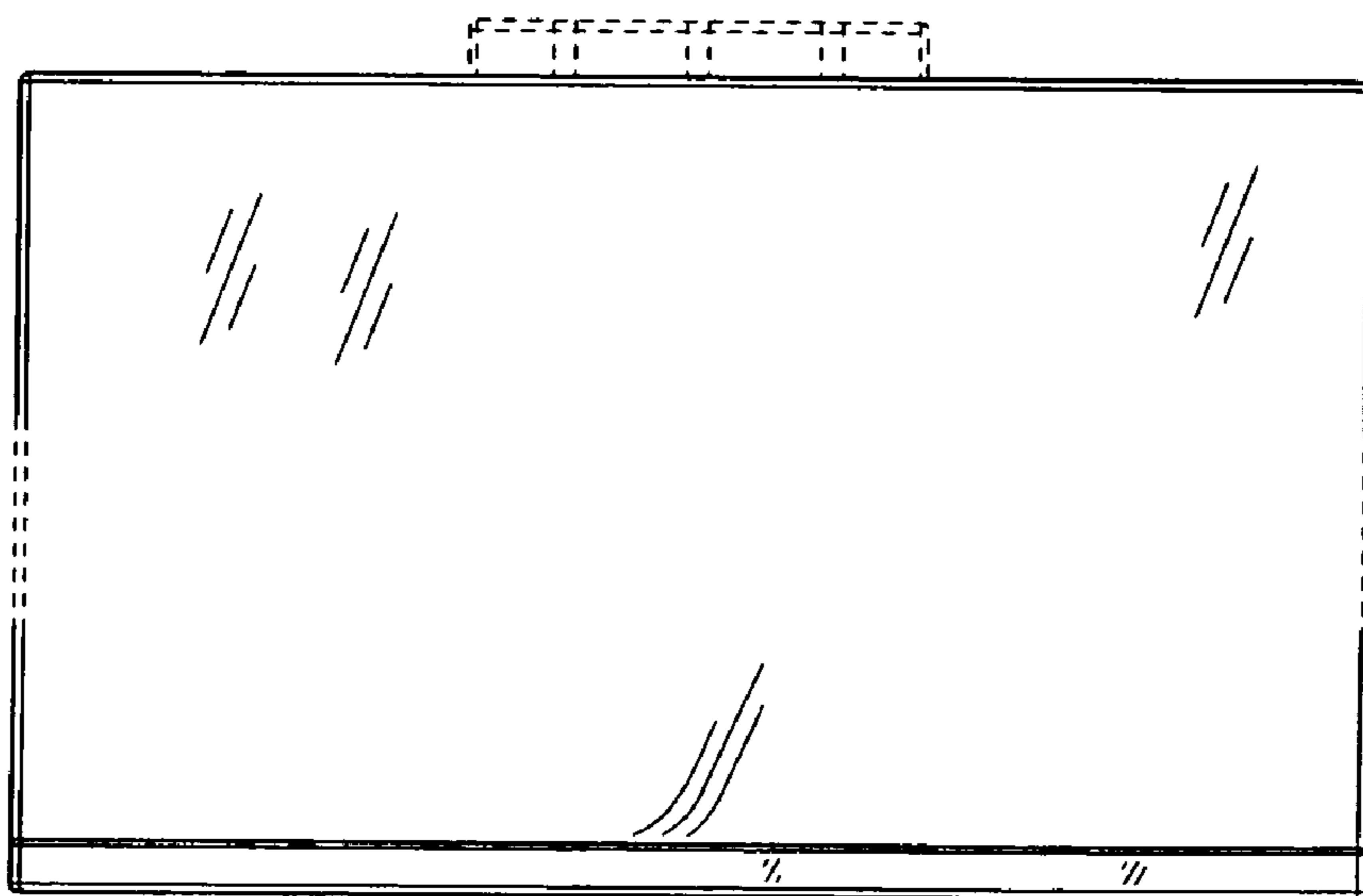


FIG. 3

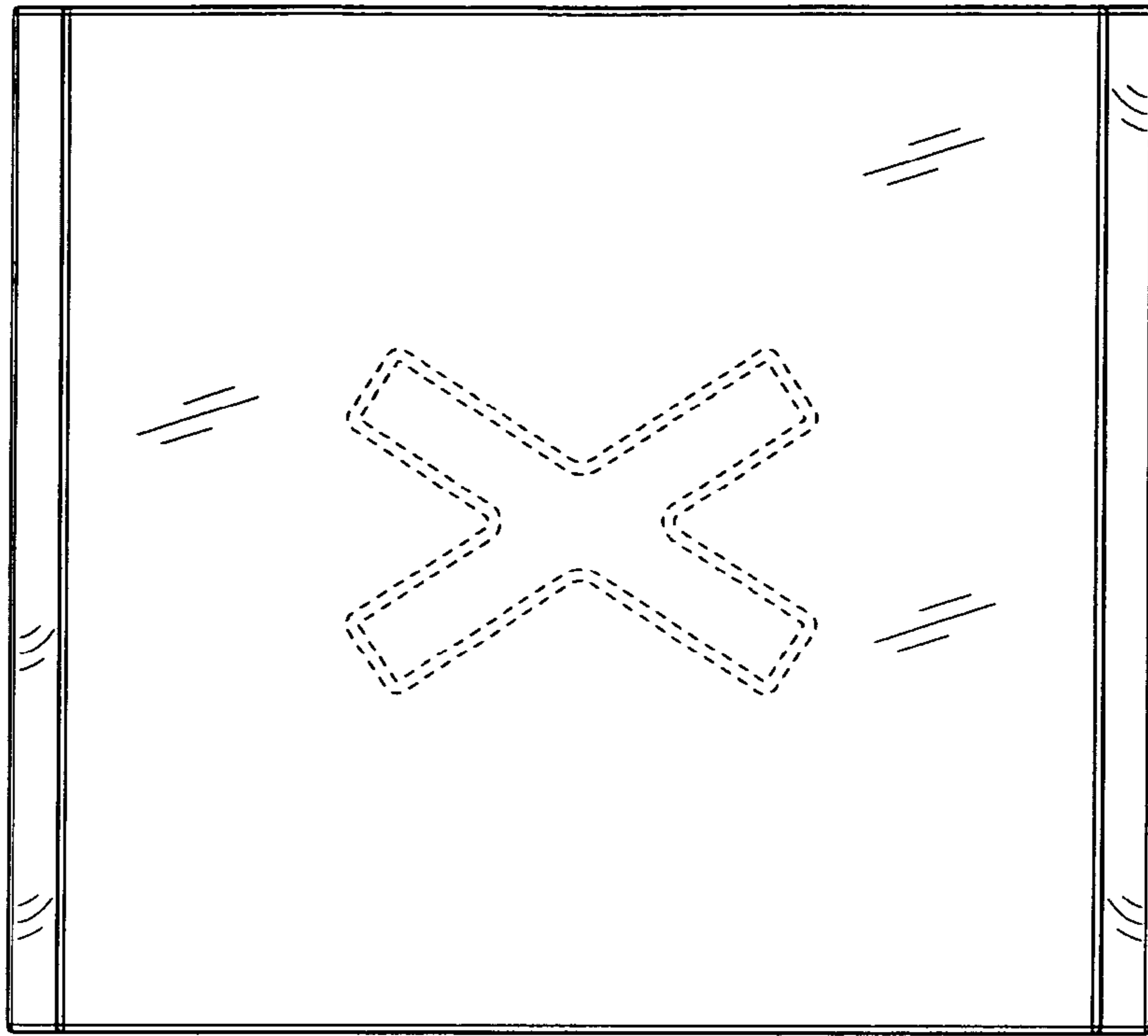


FIG. 4

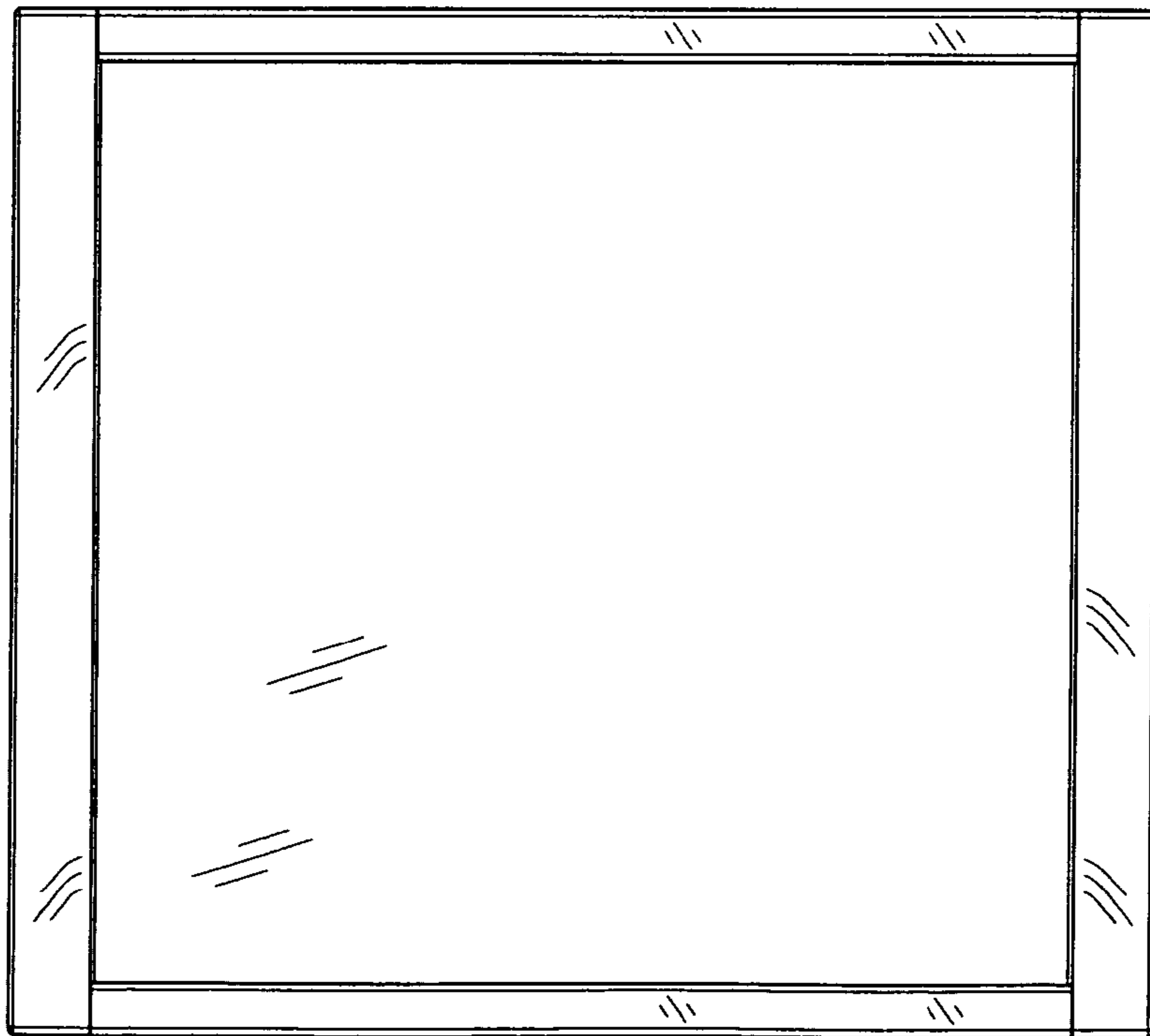


FIG. 5

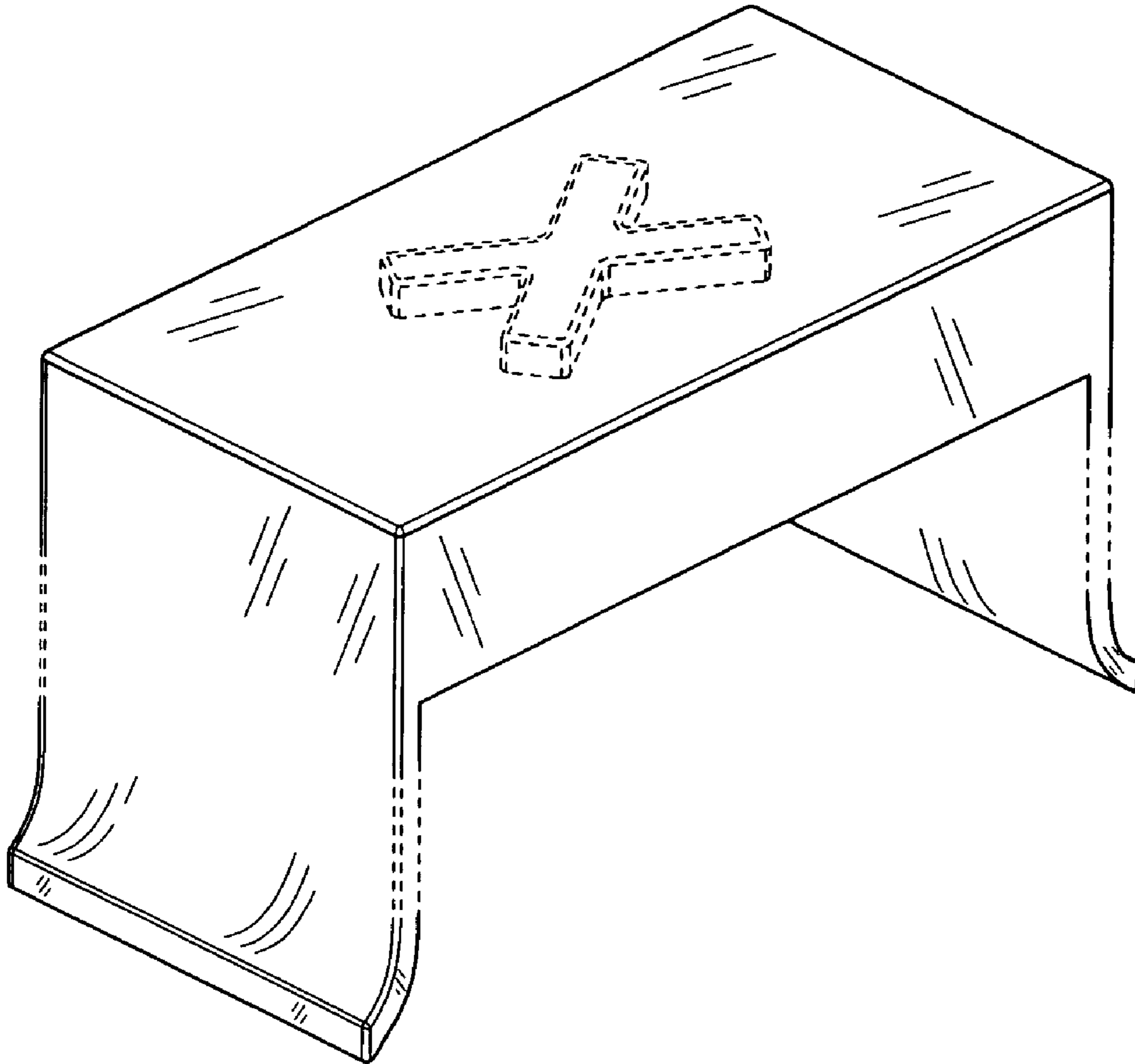


FIG. 6

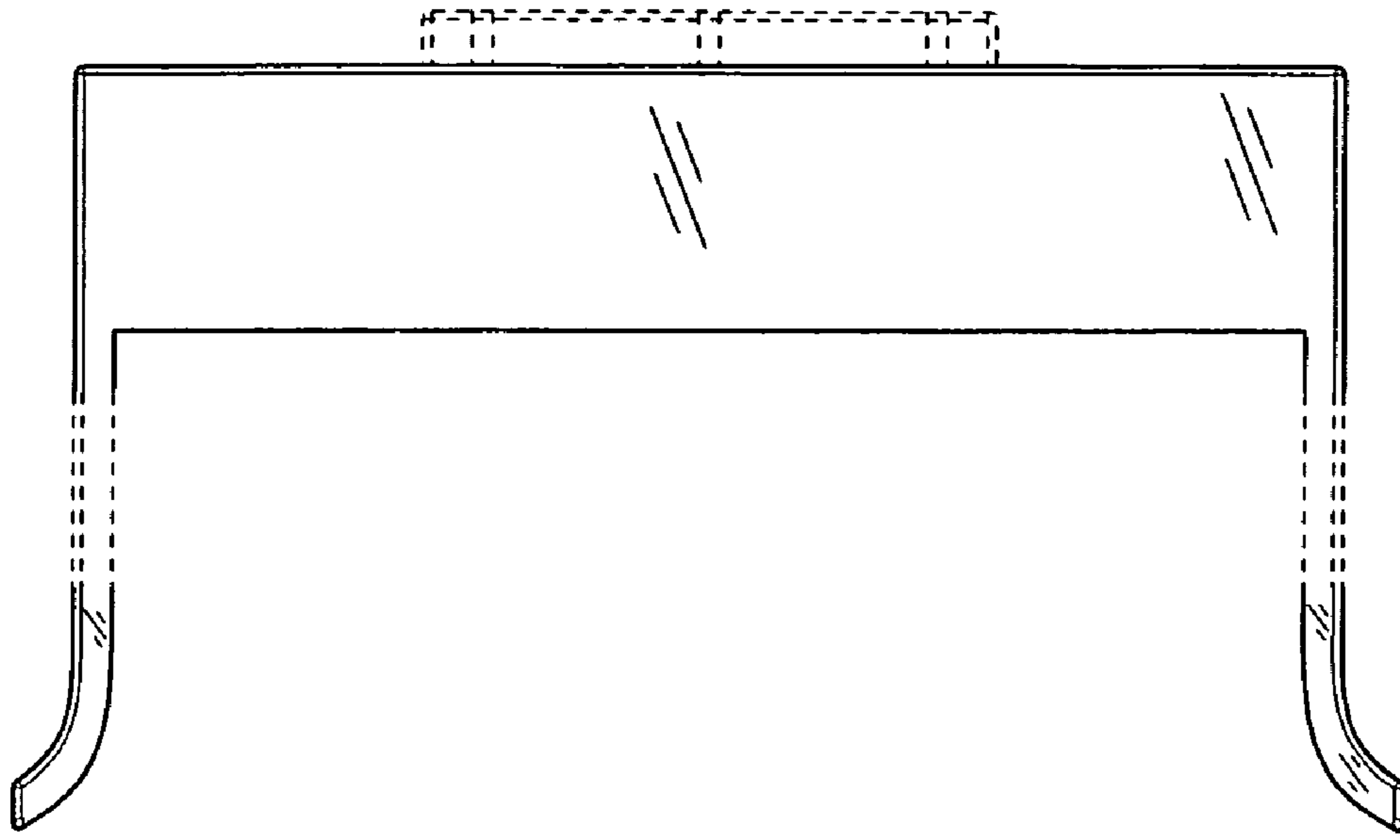


FIG. 7

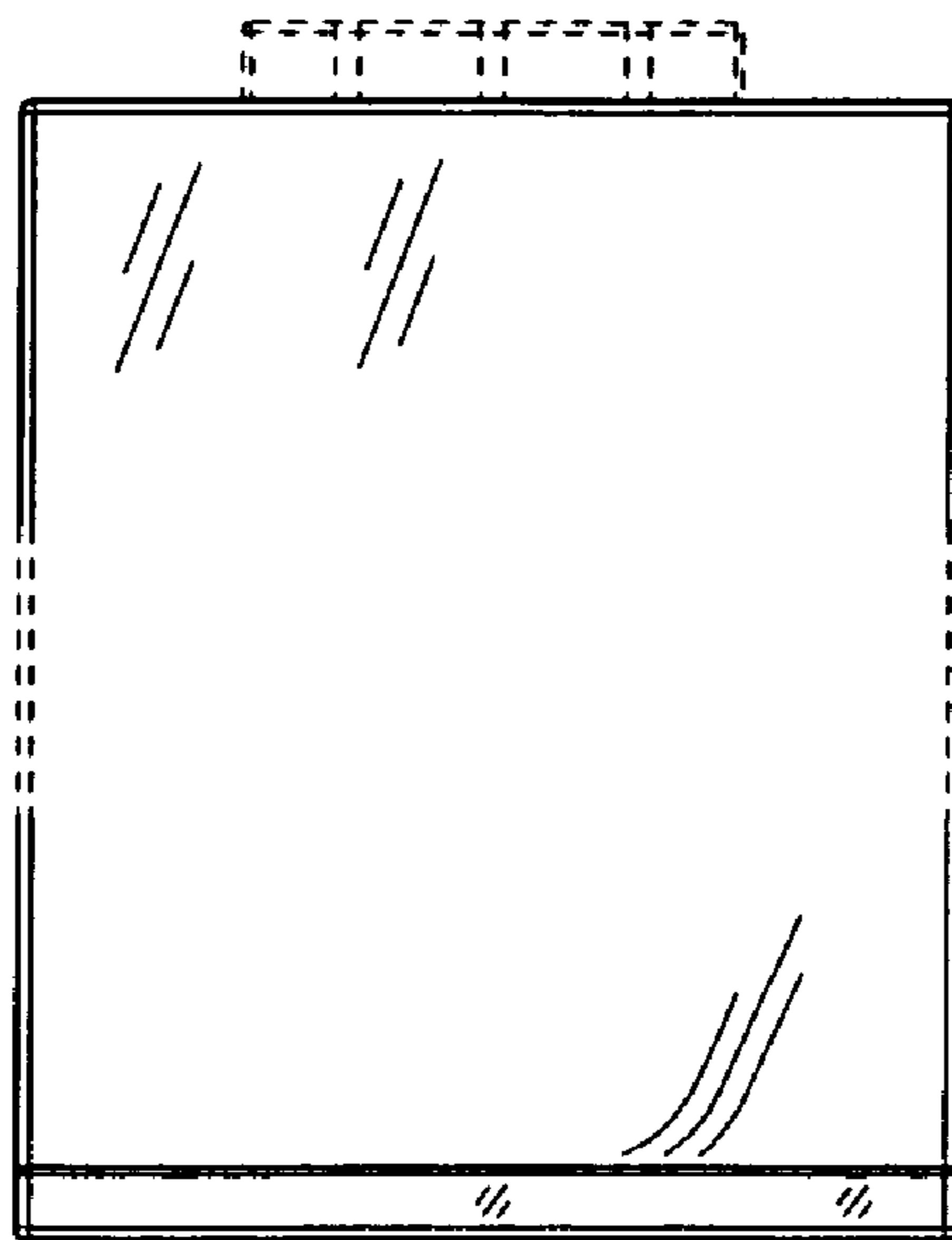


FIG. 8

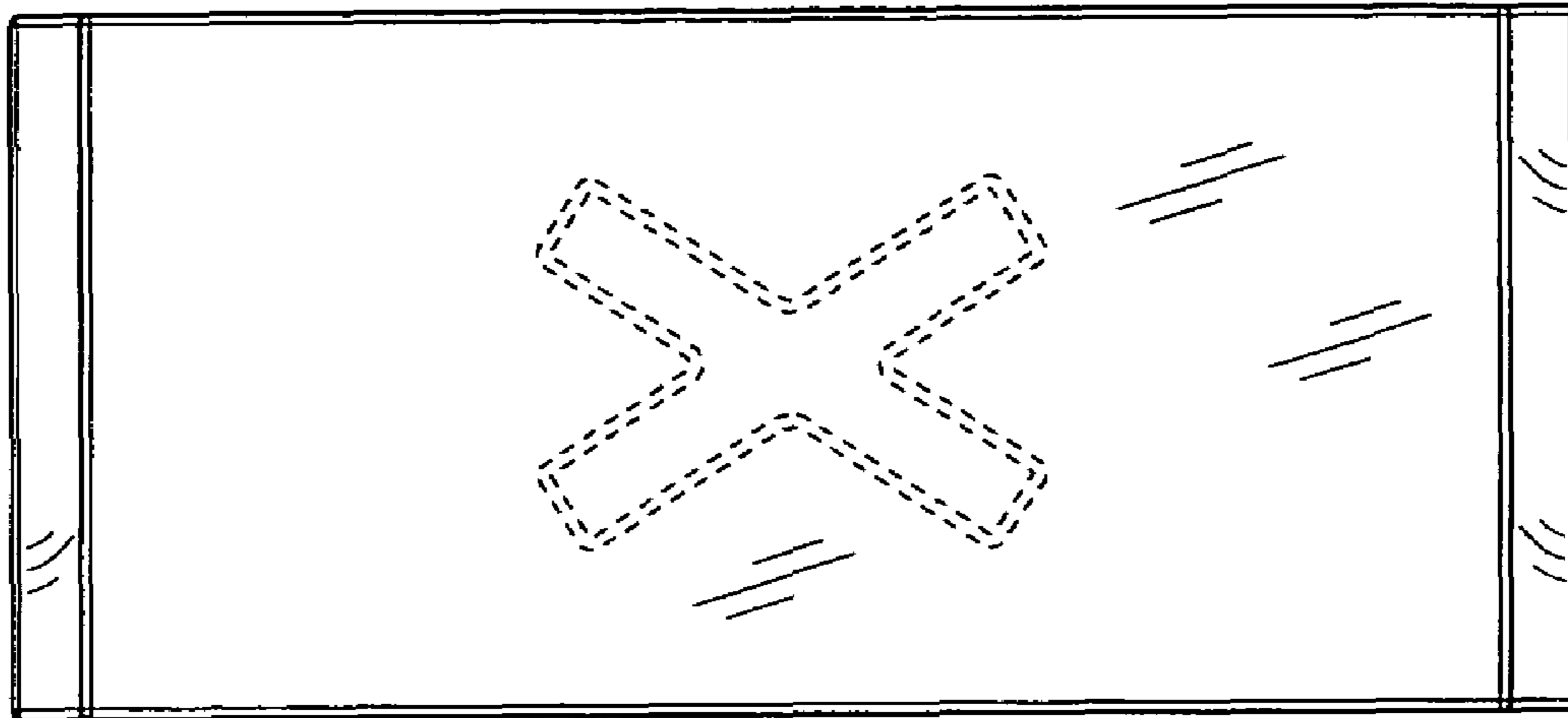


FIG. 9

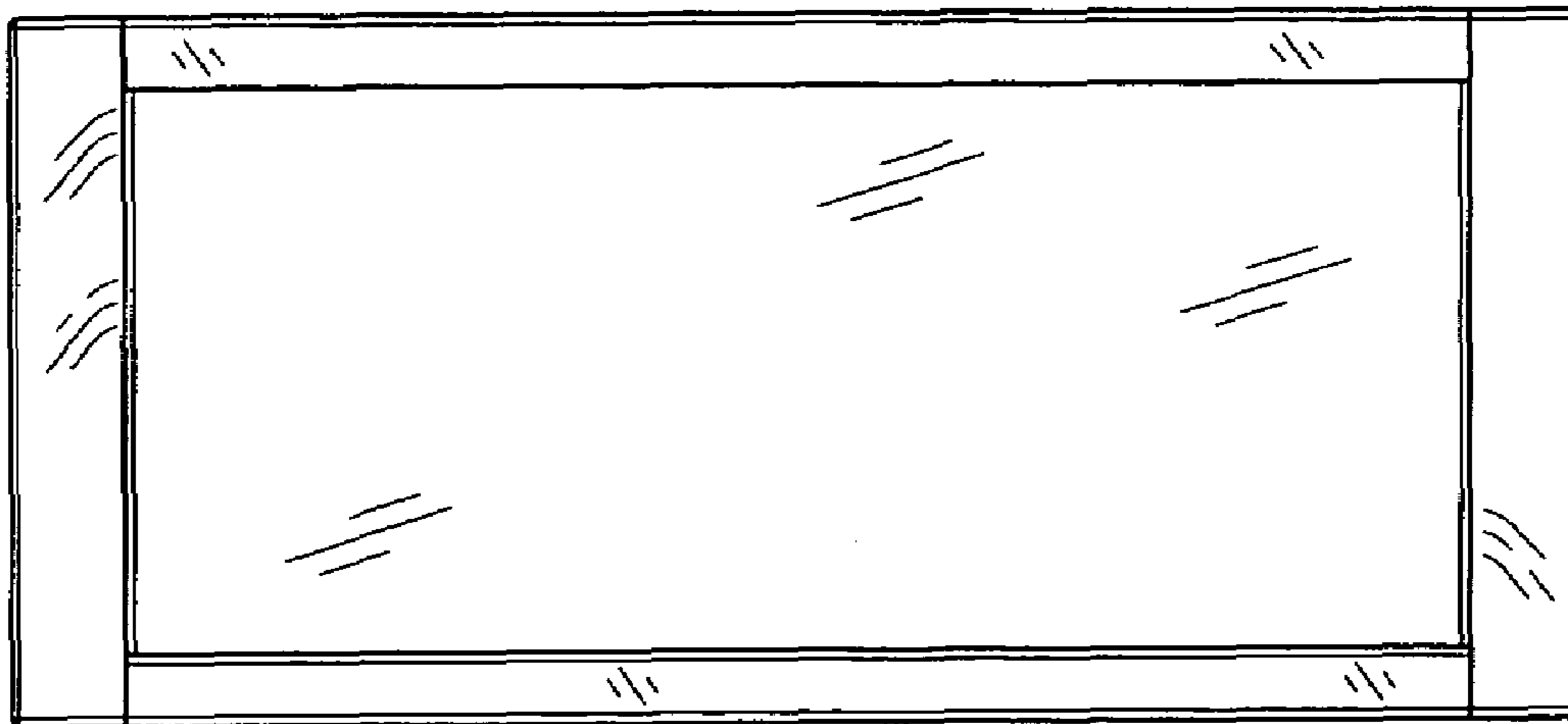


FIG. 10