



US00D566750S

(12) **United States Design Patent**
Monk

(10) **Patent No.:** **US D566,750 S**

(45) **Date of Patent:** **** Apr. 15, 2008**

(54) **MUSICAL COW BELL**

(76) Inventor: **Elmer W. Monk**, 4047 McLean Dr.,
Cincinnati, OH (US) 45255

(**) Term: **14 Years**

(21) Appl. No.: **29/262,919**

(22) Filed: **Jul. 13, 2006**

(51) **LOC (8) Cl.** **17-04**

(52) **U.S. Cl.** **D17/22**

(58) **Field of Classification Search** D17/22,
D17/99; 84/103, 406

See application file for complete search history.

(56) **References Cited**

U.S. PATENT DOCUMENTS

| | | | | | |
|--------------|------|---------|-----------------|-------|--------|
| 4,362,080 | A * | 12/1982 | DeArmas | | 84/406 |
| D298,543 | S * | 11/1988 | Benson et al. | | D17/22 |
| 4,981,065 | A | 1/1991 | Cohen | | |
| 5,703,306 | A | 12/1997 | Liao | | |
| 6,015,128 | A | 1/2000 | Lombardi | | |
| 6,489,546 | B2 * | 12/2002 | Enhoffer et al. | | 84/406 |
| 2002/0092405 | A1 * | 7/2002 | Enhoffer et al. | | 84/406 |

* cited by examiner

Primary Examiner—Ian Simmons

Assistant Examiner—Anna J Burmeister

(74) *Attorney, Agent, or Firm*—Frost Brown Todd LLC

(57) **CLAIM**

The ornamental design for a musical cow bell, as shown and described.

DESCRIPTION

FIG. 1 presents a pictorial view of a musical cow bell embodying my new design.

FIG. 2 presents a left side elevational view of the musical cow bell of FIG. 1.

FIG. 3 presents a right side elevational view of the musical cow bell of FIG. 1.

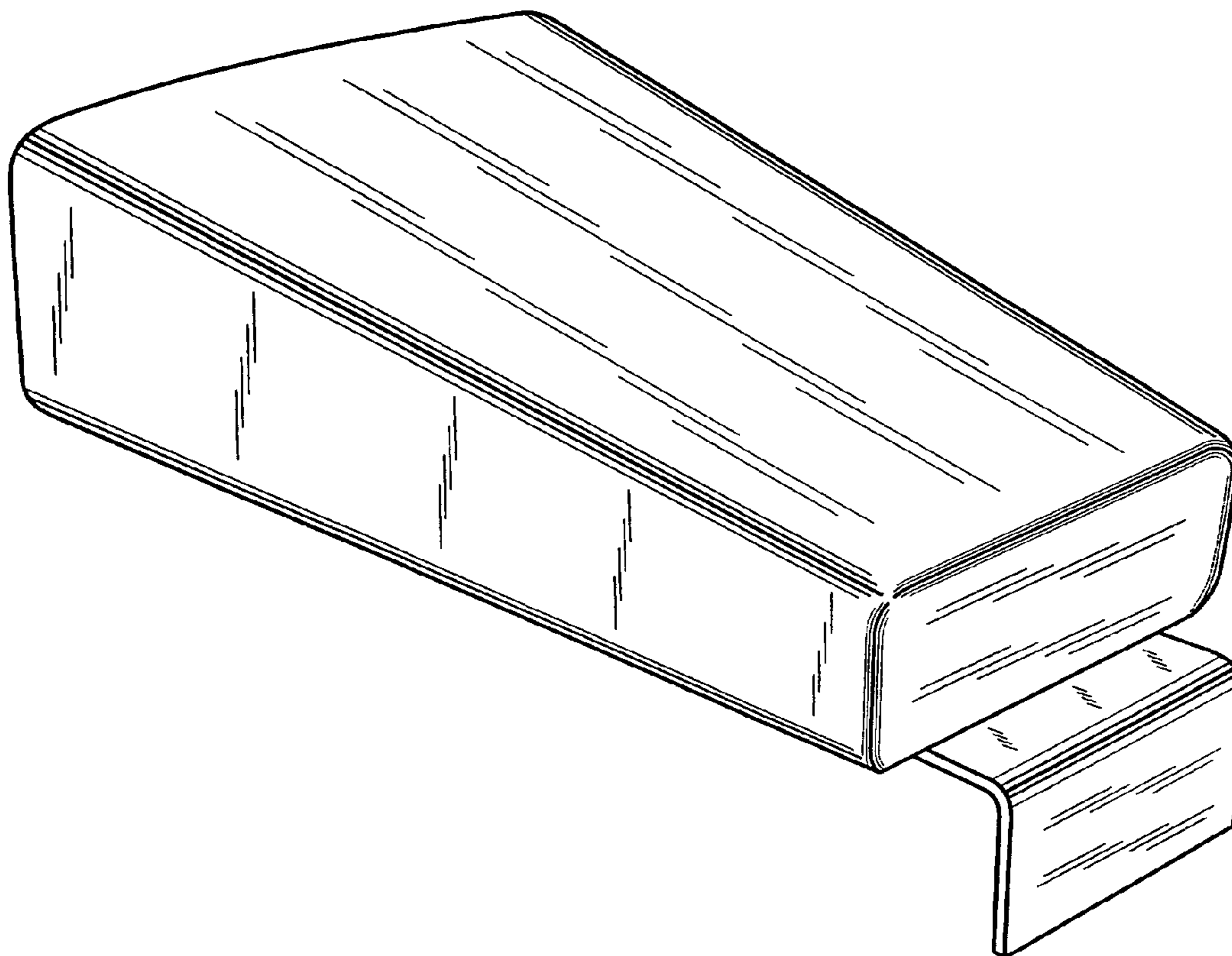
FIG. 4 presents a top plan view of the musical cow bell of FIG. 1.

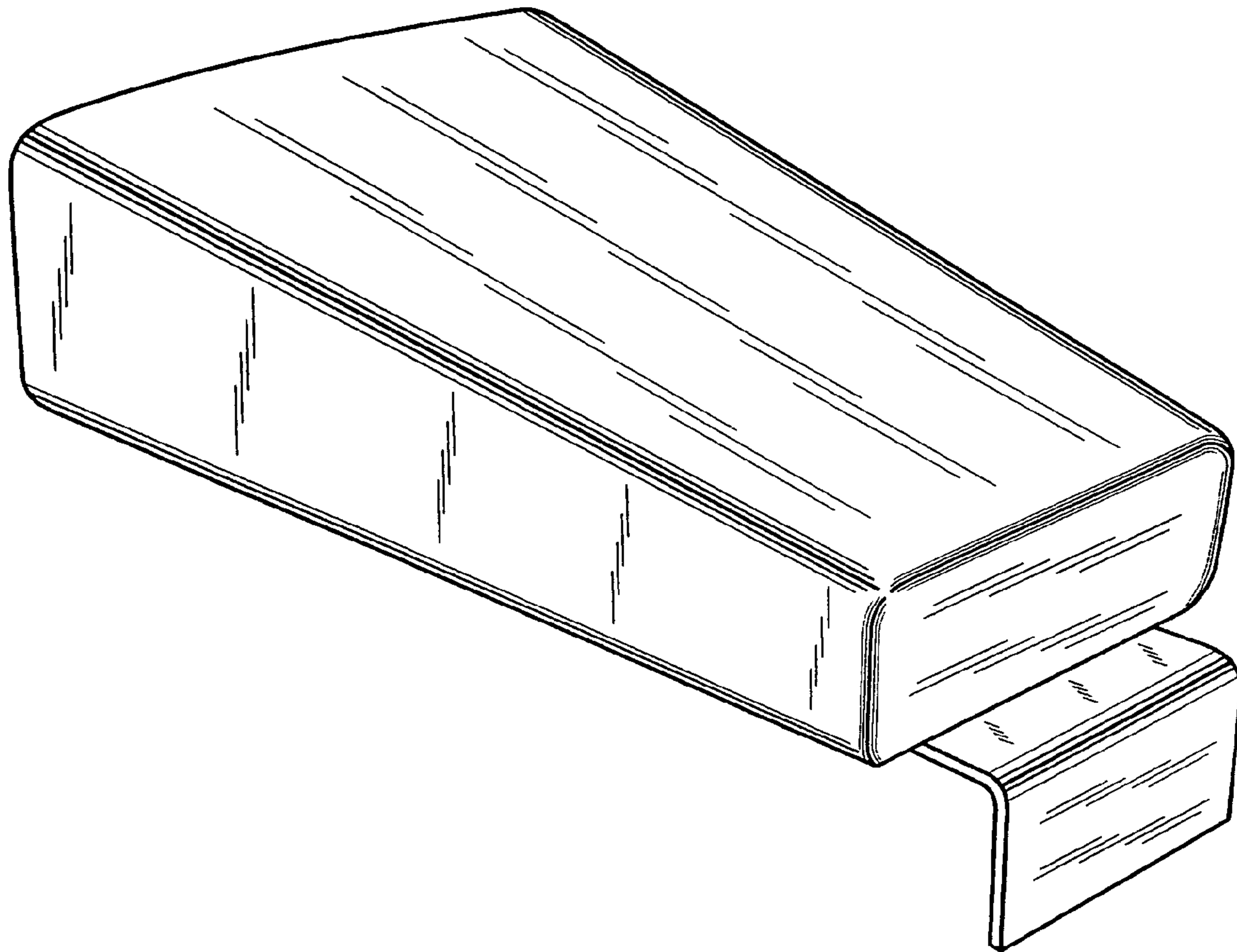
FIG. 5 presents a bottom plan view of the musical cow bell of FIG. 1.

FIG. 6 presents a front elevational view of the musical cow bell of FIG. 1; and,

FIG. 7 presents a rear elevational view of the musical cow bell of FIG. 1.

1 Claim, 5 Drawing Sheets





—FIG. 1

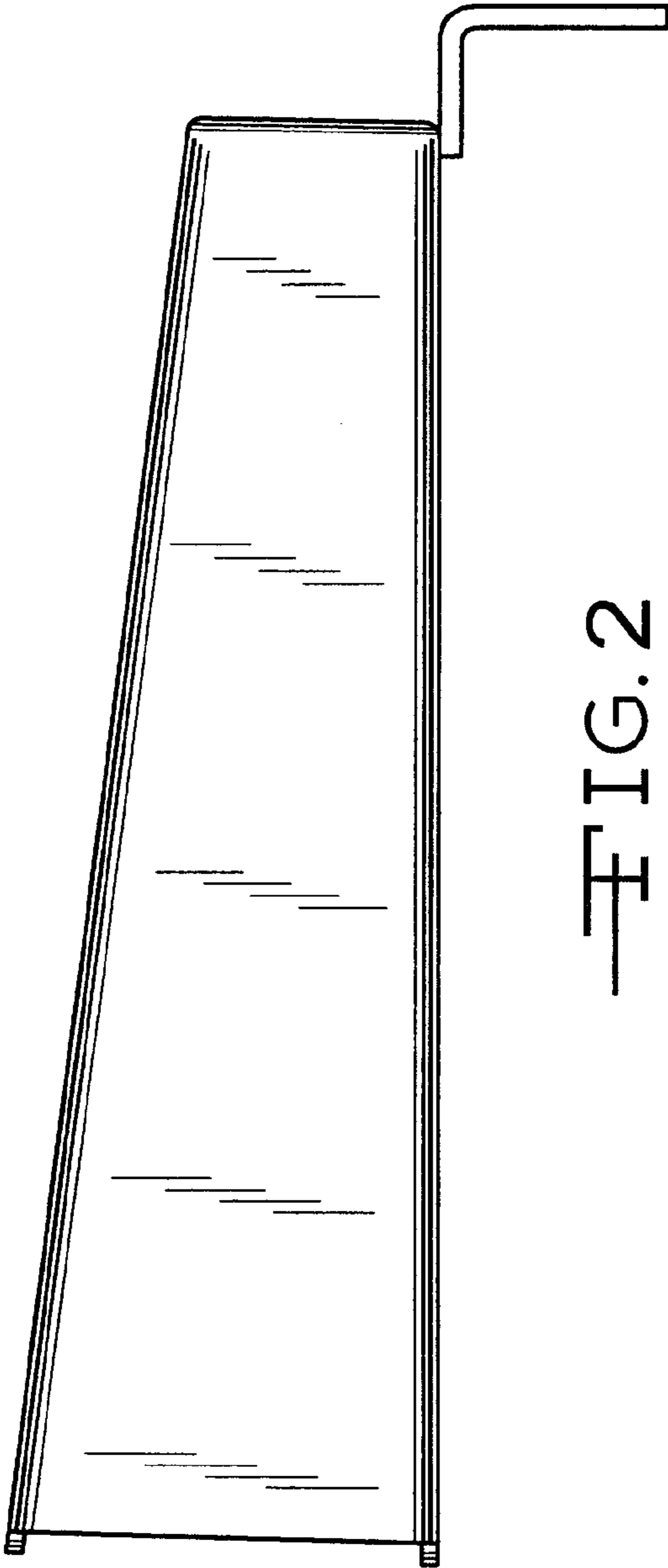


FIG. 2

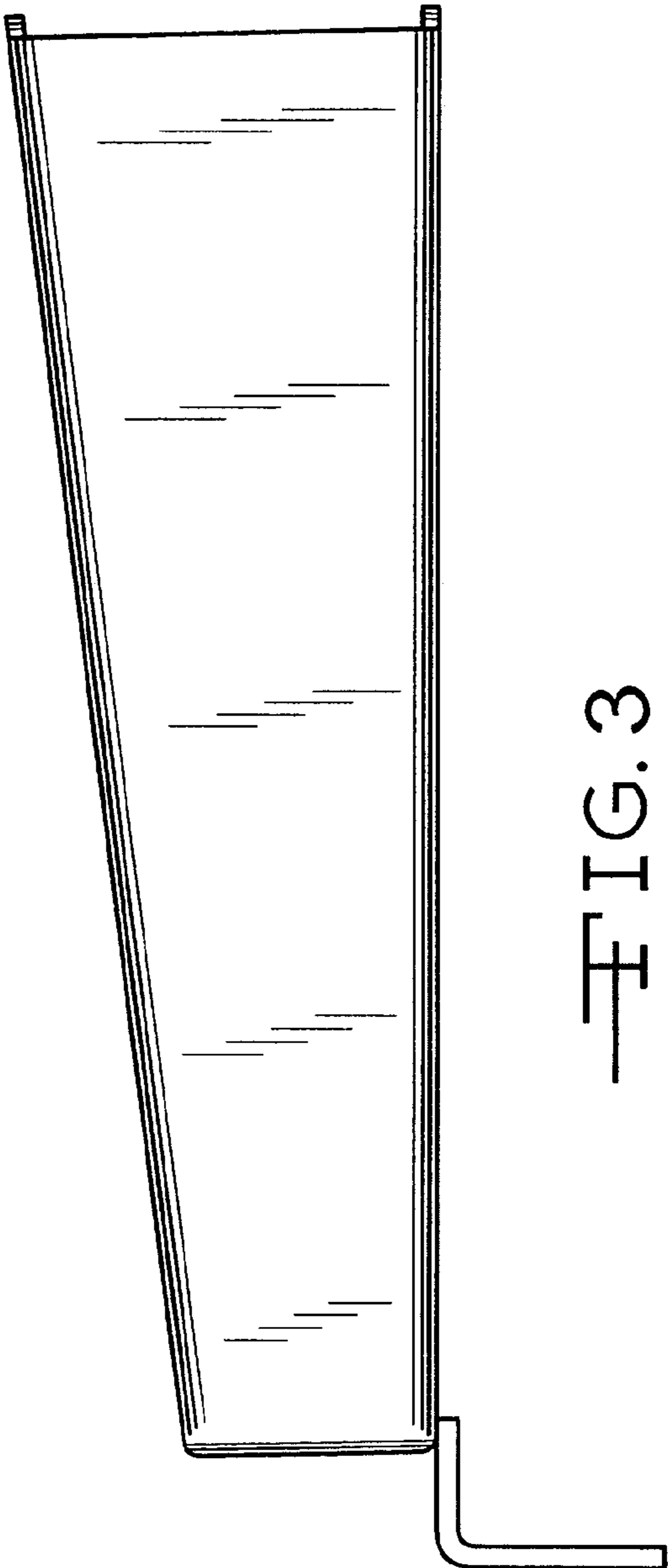


FIG. 3

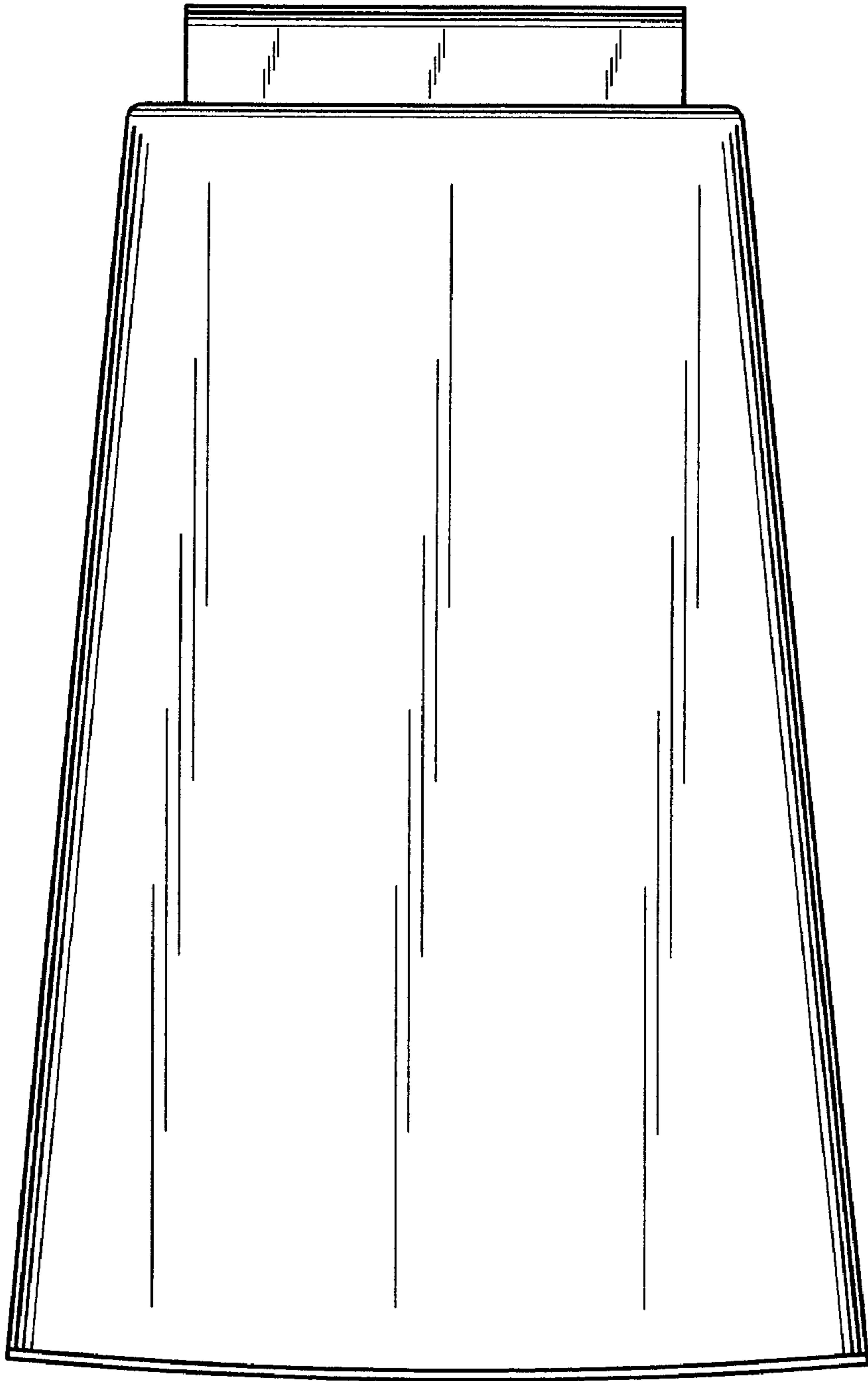


FIG. 4

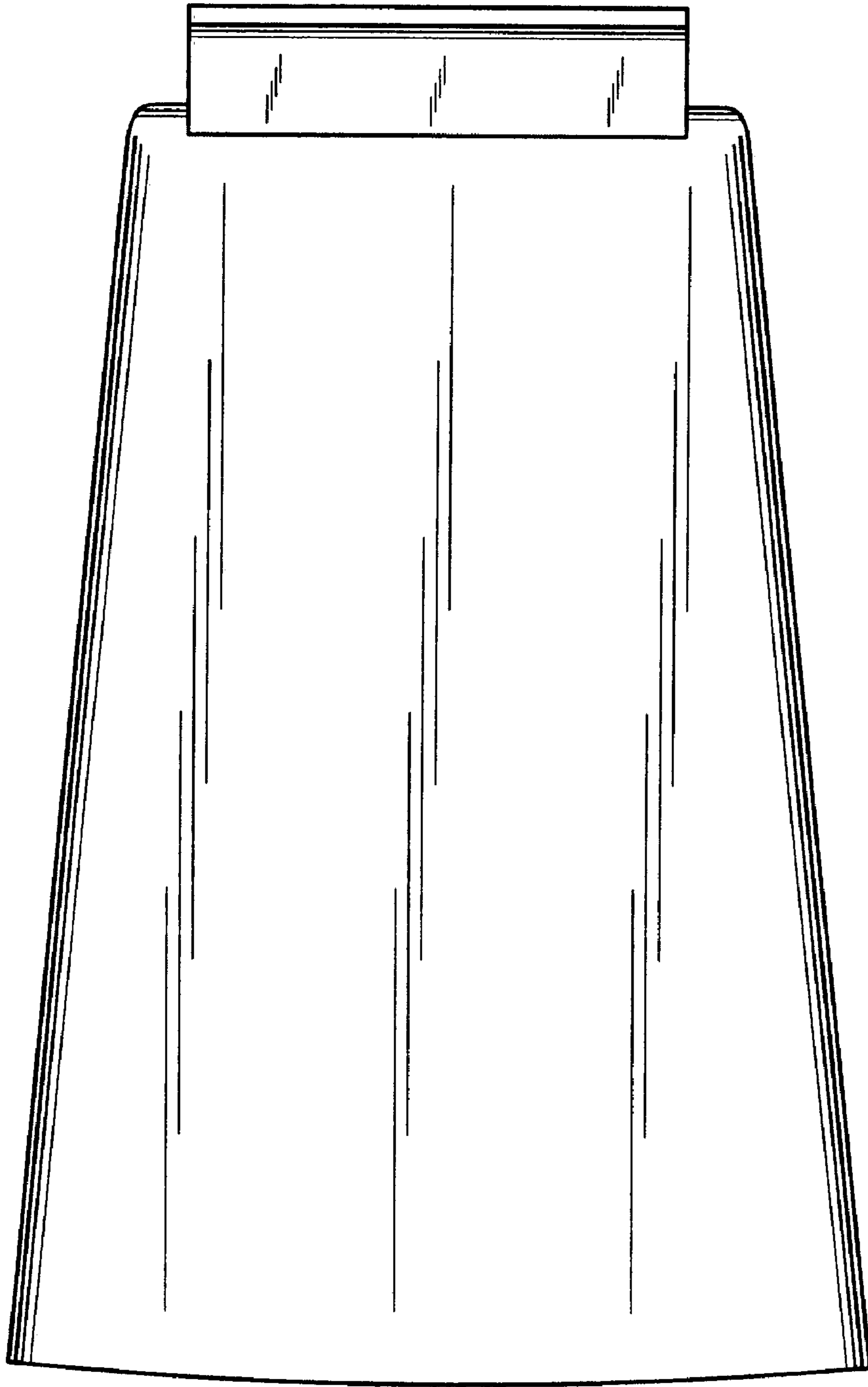
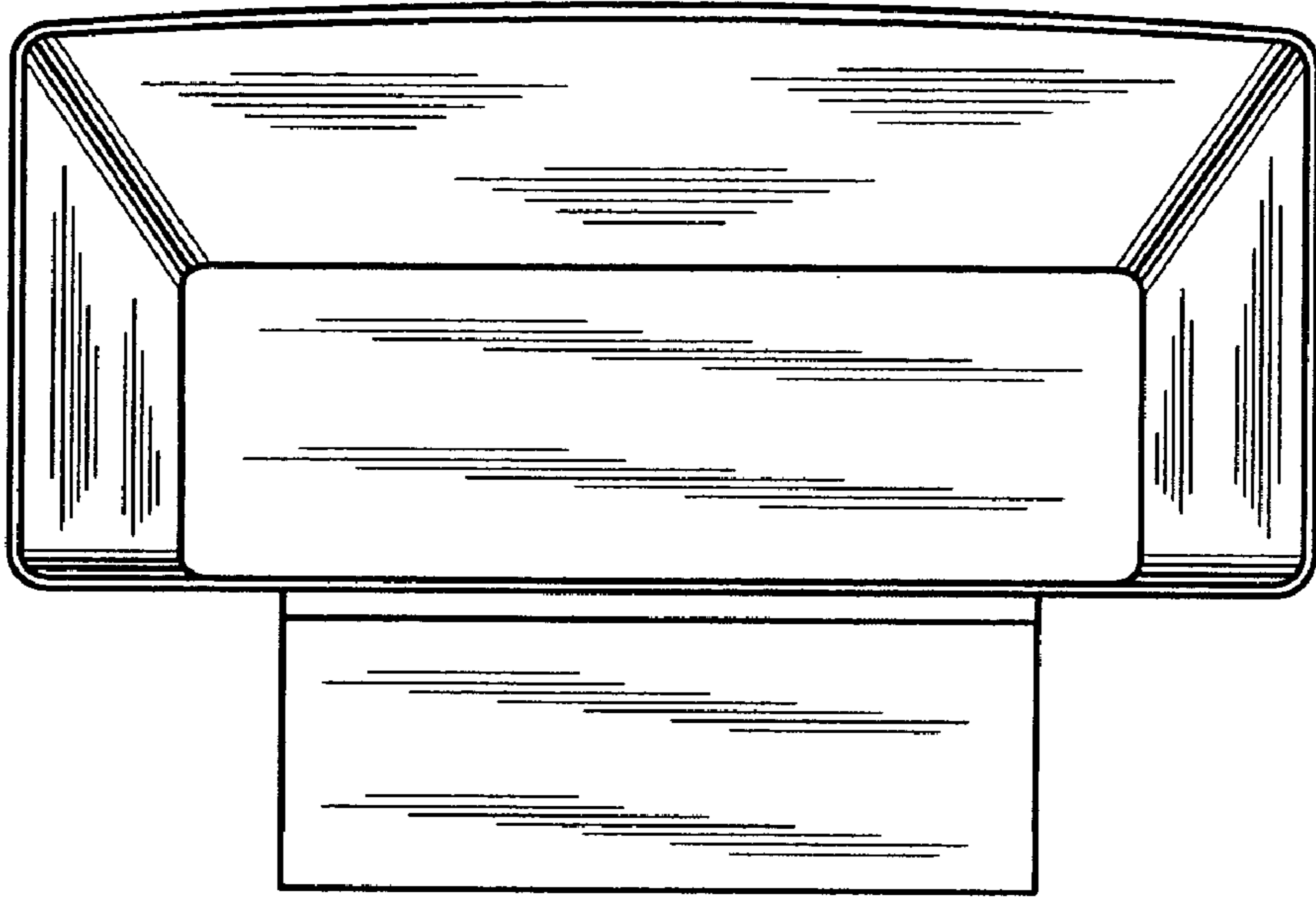
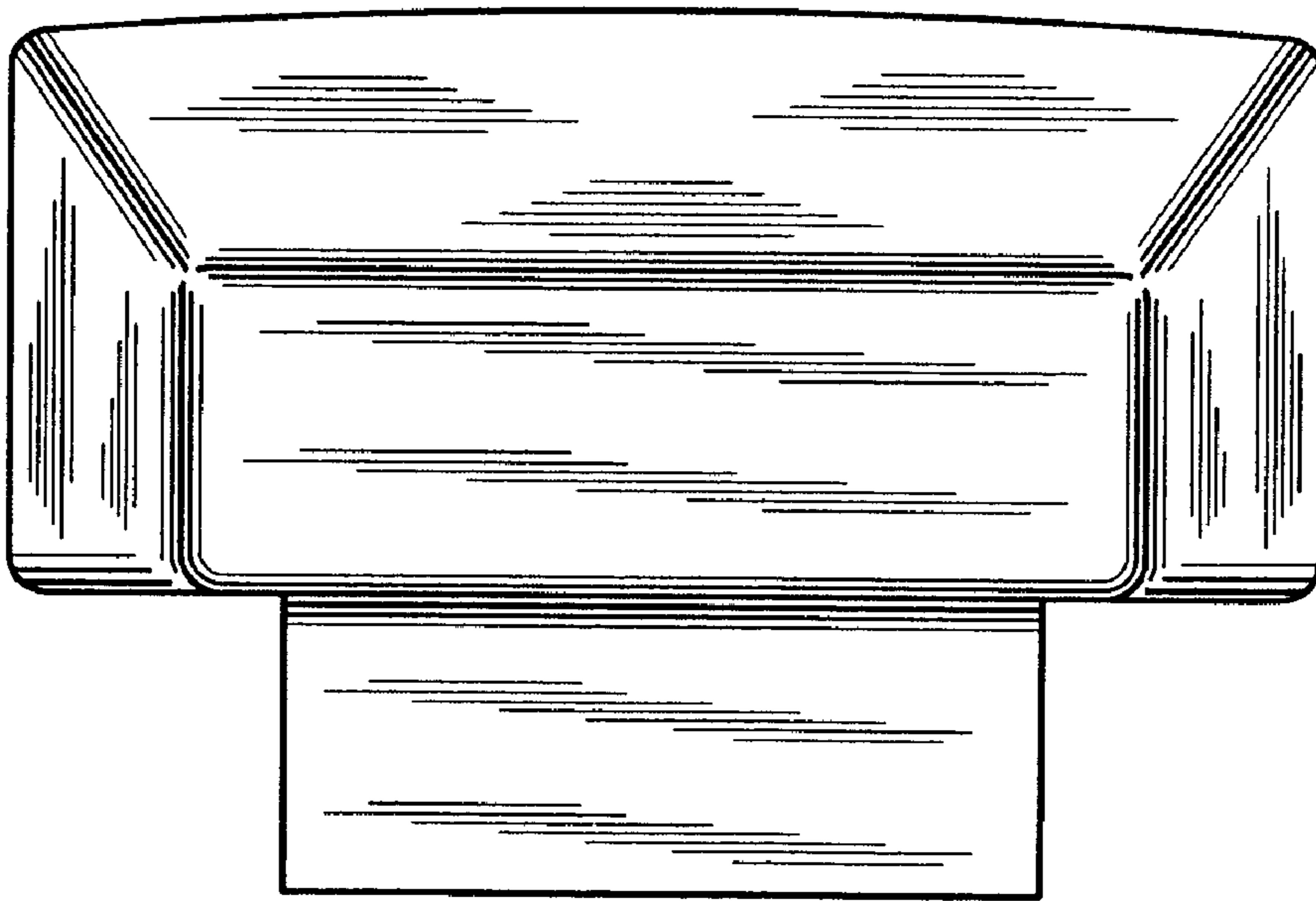


FIG. 5



—FIG. 6



—FIG. 7