



US00D566742S

(12) **United States Design Patent**
Yamane et al.

(10) **Patent No.:** **US D566,742 S**
(45) **Date of Patent:** **** Apr. 15, 2008**

(54) **TV CAMERA**

D550,738 S * 9/2007 Hsia D16/203

(75) Inventors: **Akira Yamane**, Nagoya (JP); **Eiji Sugiyama**, Nagoya (JP); **Tetsuro Kato**, Nagoya (JP)

* cited by examiner

Primary Examiner—Ian Simmons
Assistant Examiner—Wan Laymon

(73) Assignee: **Elmo Company, Limited** (JP)

(74) *Attorney, Agent, or Firm*—Ostrolenk, Faber, Gerb & Soffen, LLP

(**) Term: **14 Years**

(57) **CLAIM**

(21) Appl. No.: **29/277,474**

The ornamental design for a TV camera, as shown and described.

(22) Filed: **Feb. 27, 2007**

(30) **Foreign Application Priority Data**

DESCRIPTION

Aug. 31, 2006 (JP) 2006-023226

FIG. 1 is a perspective view of a TV camera embodying our new design;

(51) **LOC (8) Cl.** **16-01**

FIG. 2 is a front view thereof;

(52) **U.S. Cl.** **D16/202; D16/203**

FIG. 3 is a top plan view thereof;

(58) **Field of Classification Search** D16/200–206,
D16/208, 218, 221, 225, 230, 232; D14/168;
348/143, 151, 373–376; 396/427, 535–541;
358/909.1; D21/514; 353/115, 119

FIG. 4 is a right side view thereof;

FIG. 5 is a left side view thereof;

See application file for complete search history.

FIG. 6 is a rear view thereof;

FIG. 7 is a bottom side view thereof;

(56) **References Cited**

FIG. 8 is a perspective view corresponding to FIG. 1 showing the camera tilted to be in the highest position;

U.S. PATENT DOCUMENTS

FIG. 9 is a perspective view showing the camera tilted to be in the lowest position thereof;

D375,970 S *	11/1996	Harata	D16/225
D378,096 S *	2/1997	Harada	D16/225
D402,677 S *	12/1998	Hiraguchi	D16/203
D458,621 S *	6/2002	Kawashima	D16/202
D478,108 S *	8/2003	Miyazaki	D16/202
D487,764 S *	3/2004	Adachi et al.	D16/203
D517,585 S *	3/2006	Iino et al.	D16/203
D527,405 S *	8/2006	Kim et al.	D16/203
D542,319 S *	5/2007	Ishida et al.	D16/203

FIG. 10 is a perspective view showing the camera panned to one side thereof; and,

FIG. 11 is a perspective view showing the camera panned to the other side thereof.

1 Claim, 11 Drawing Sheets

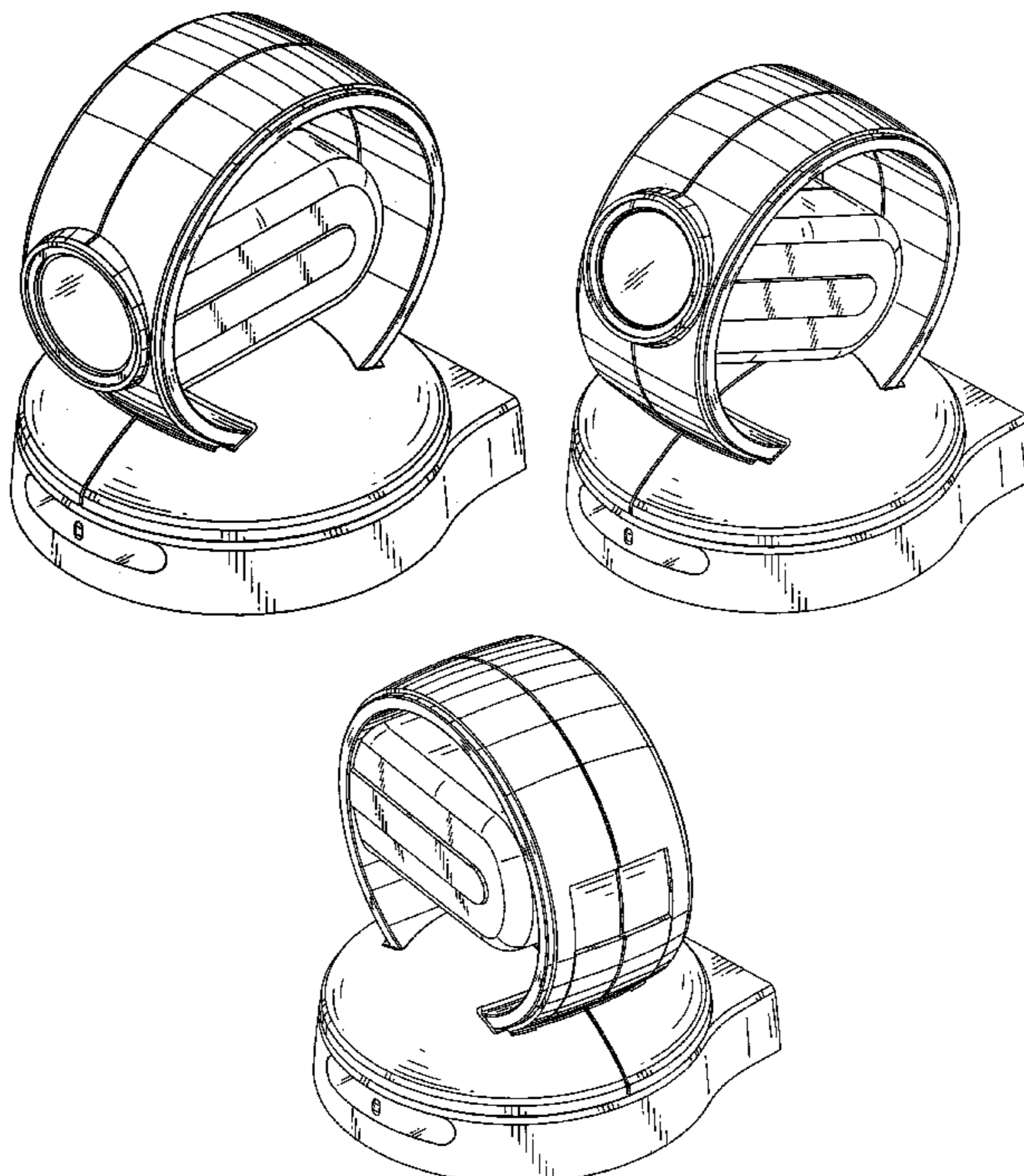


Fig. 1

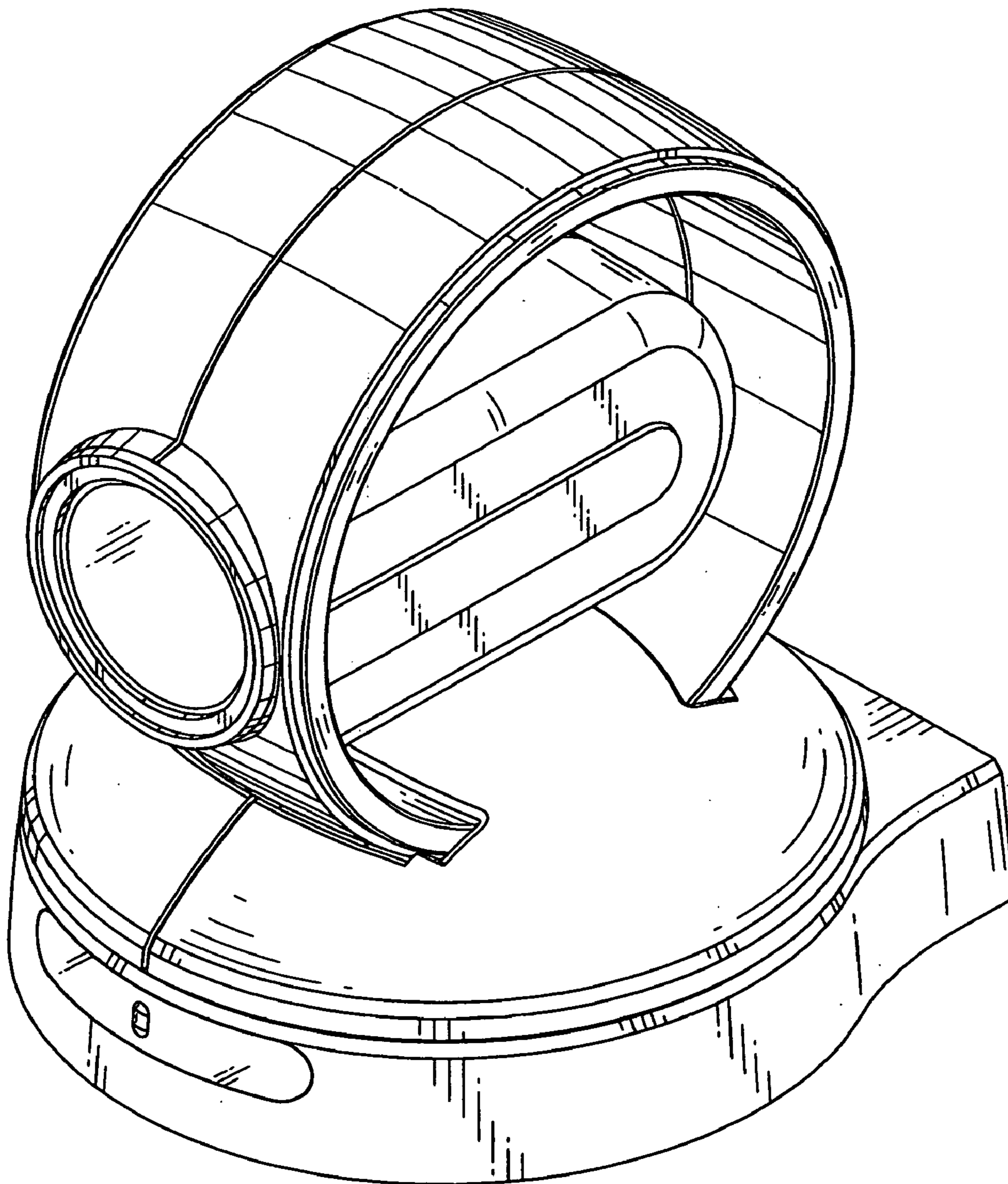


Fig.2

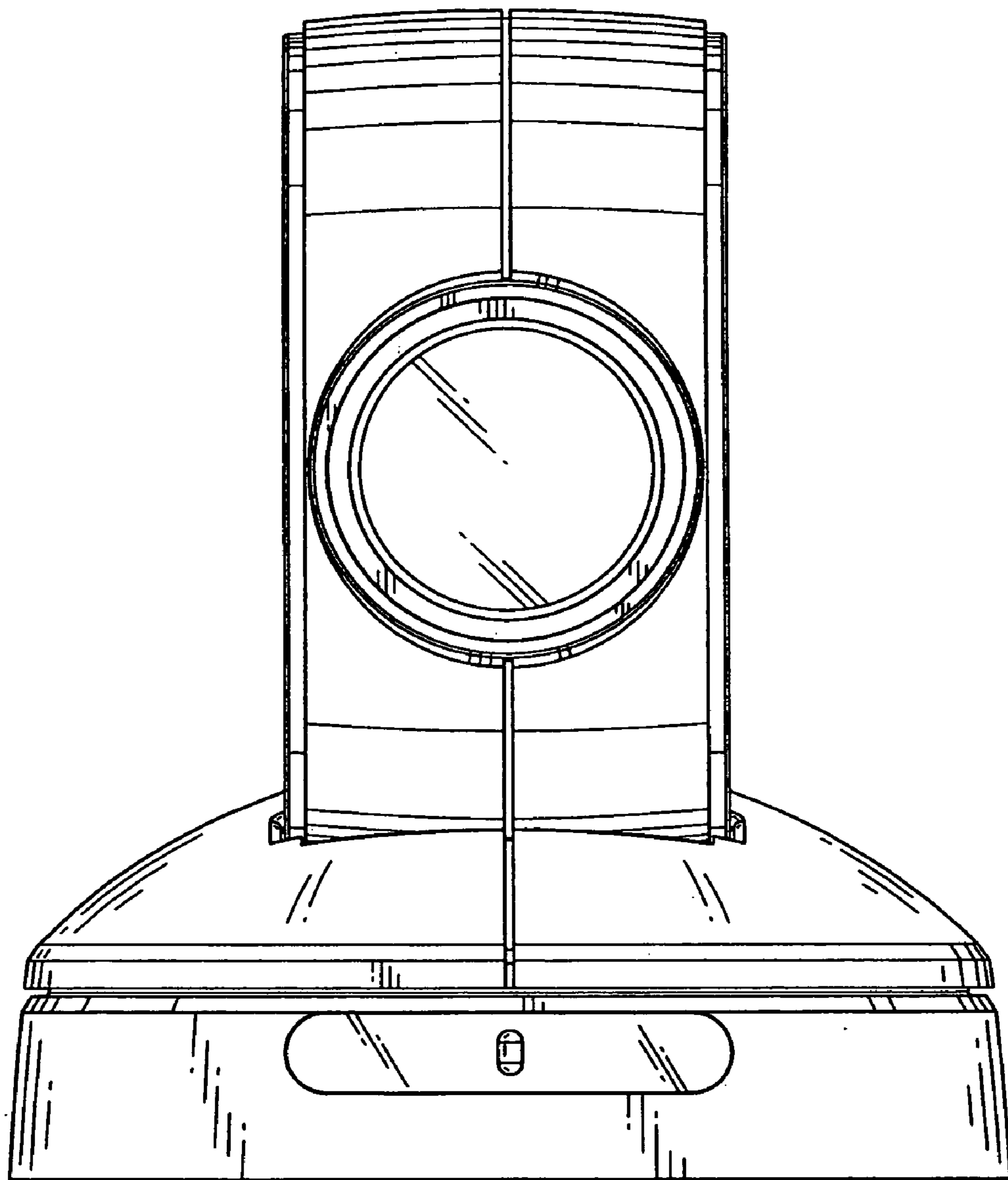


Fig.3

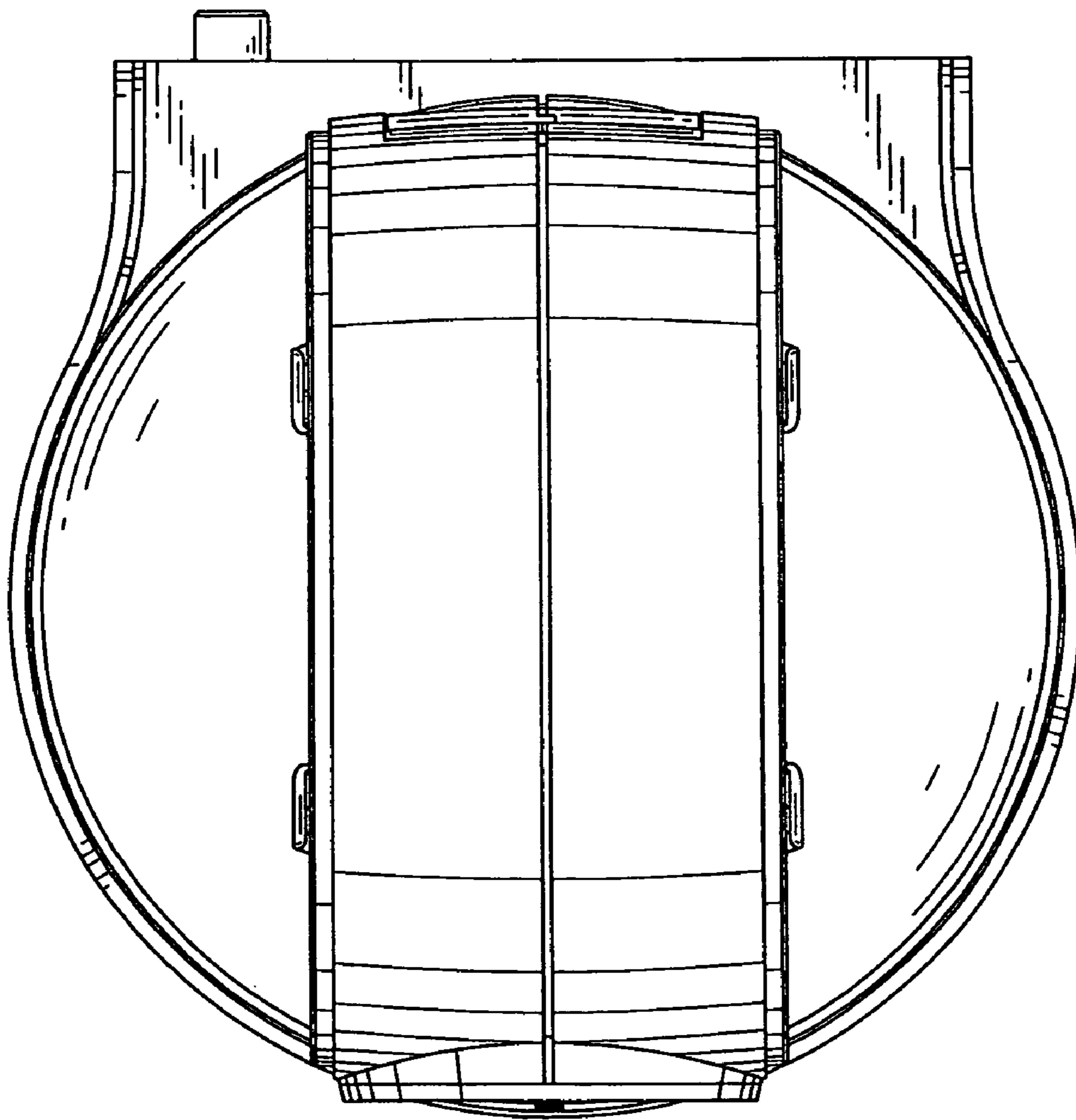


Fig.4

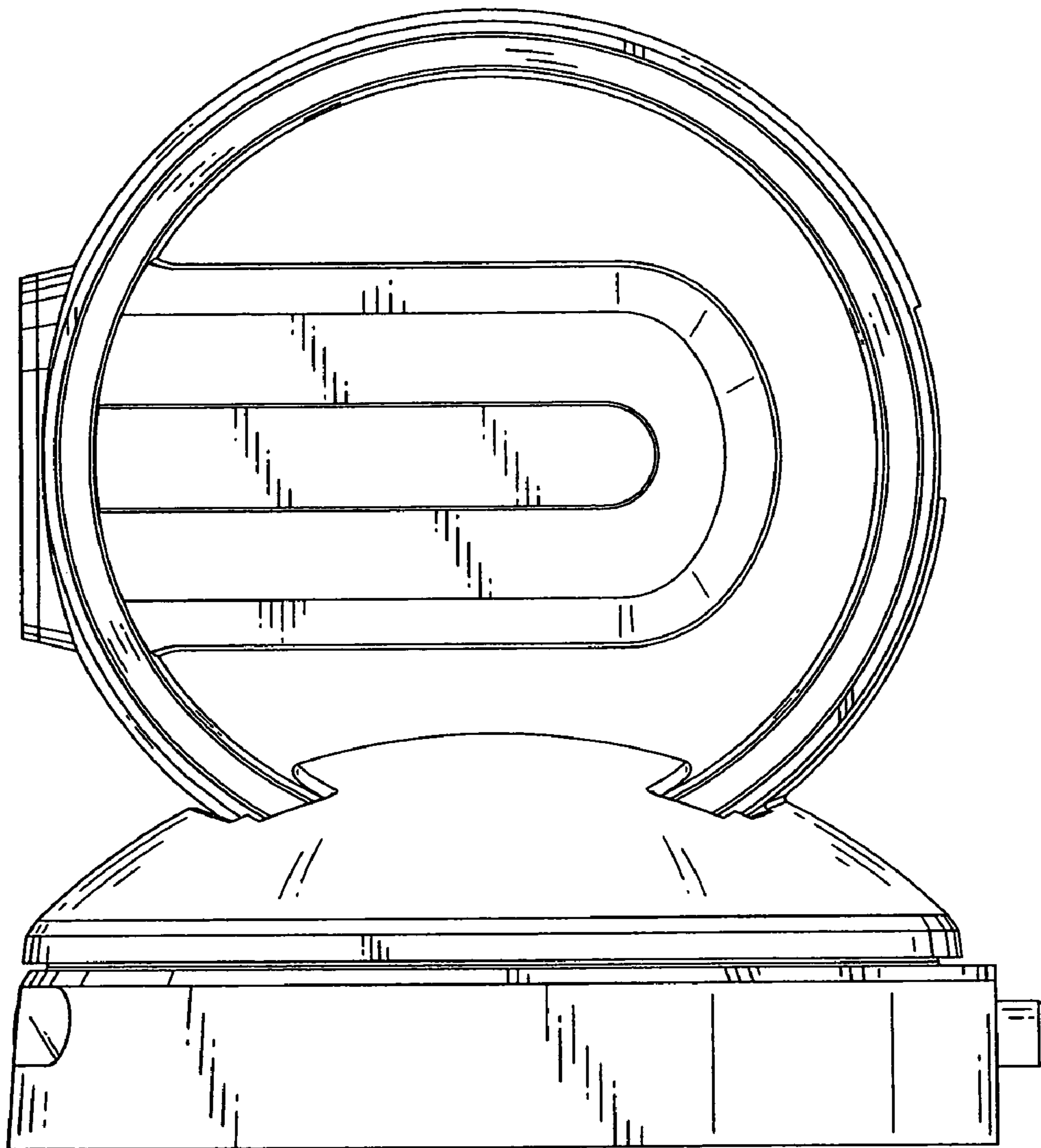


Fig.5

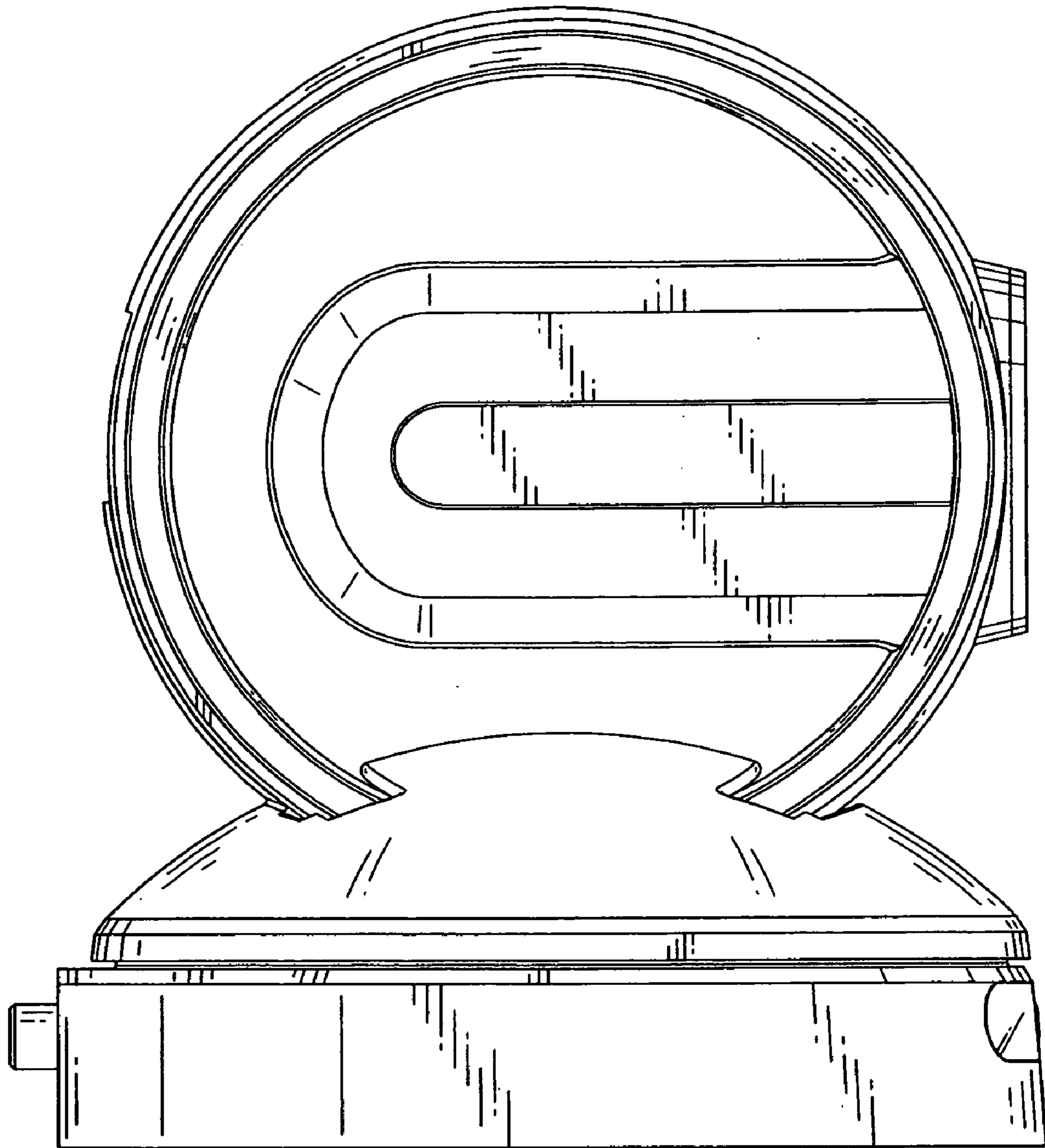


Fig.6

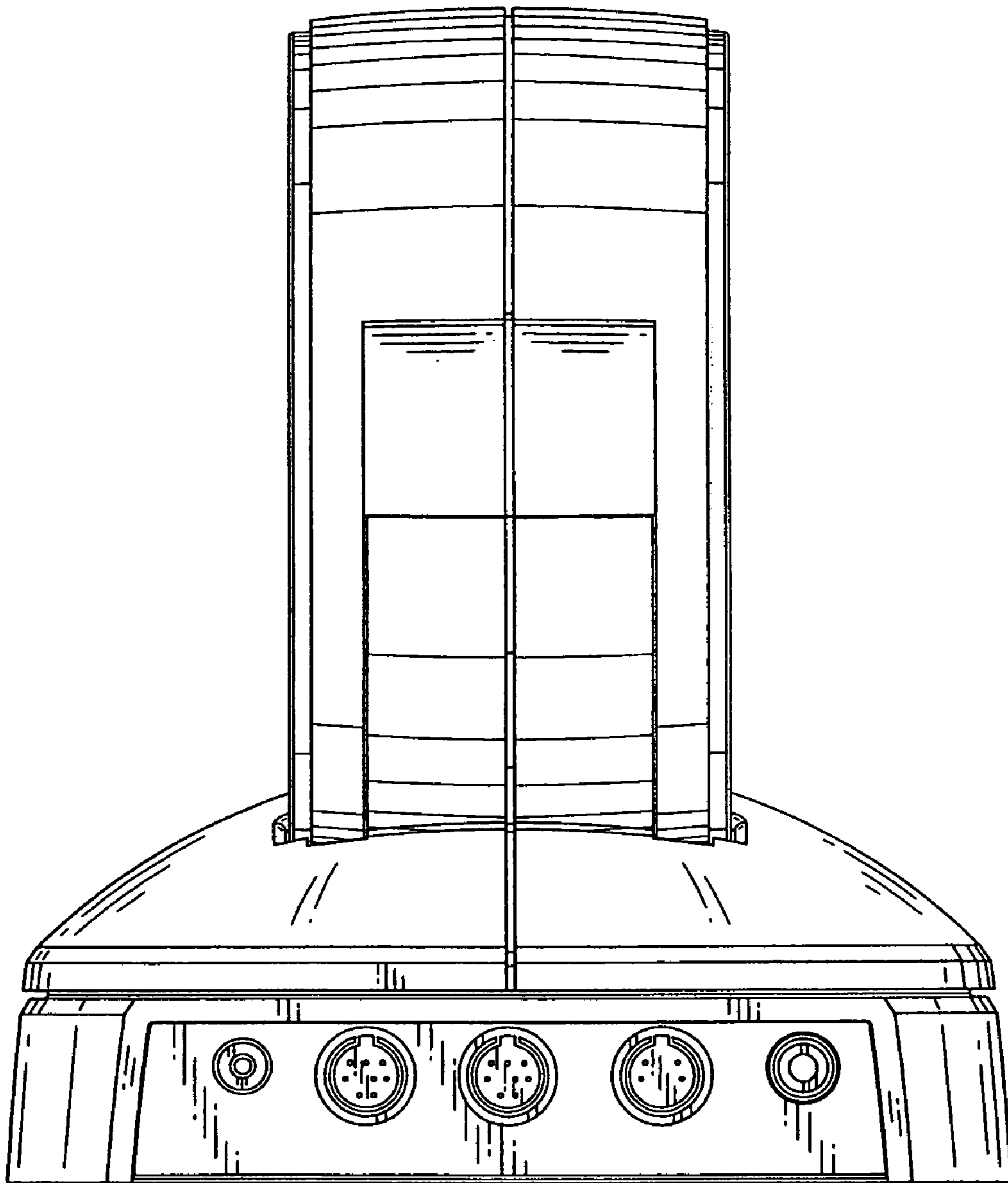


Fig.7

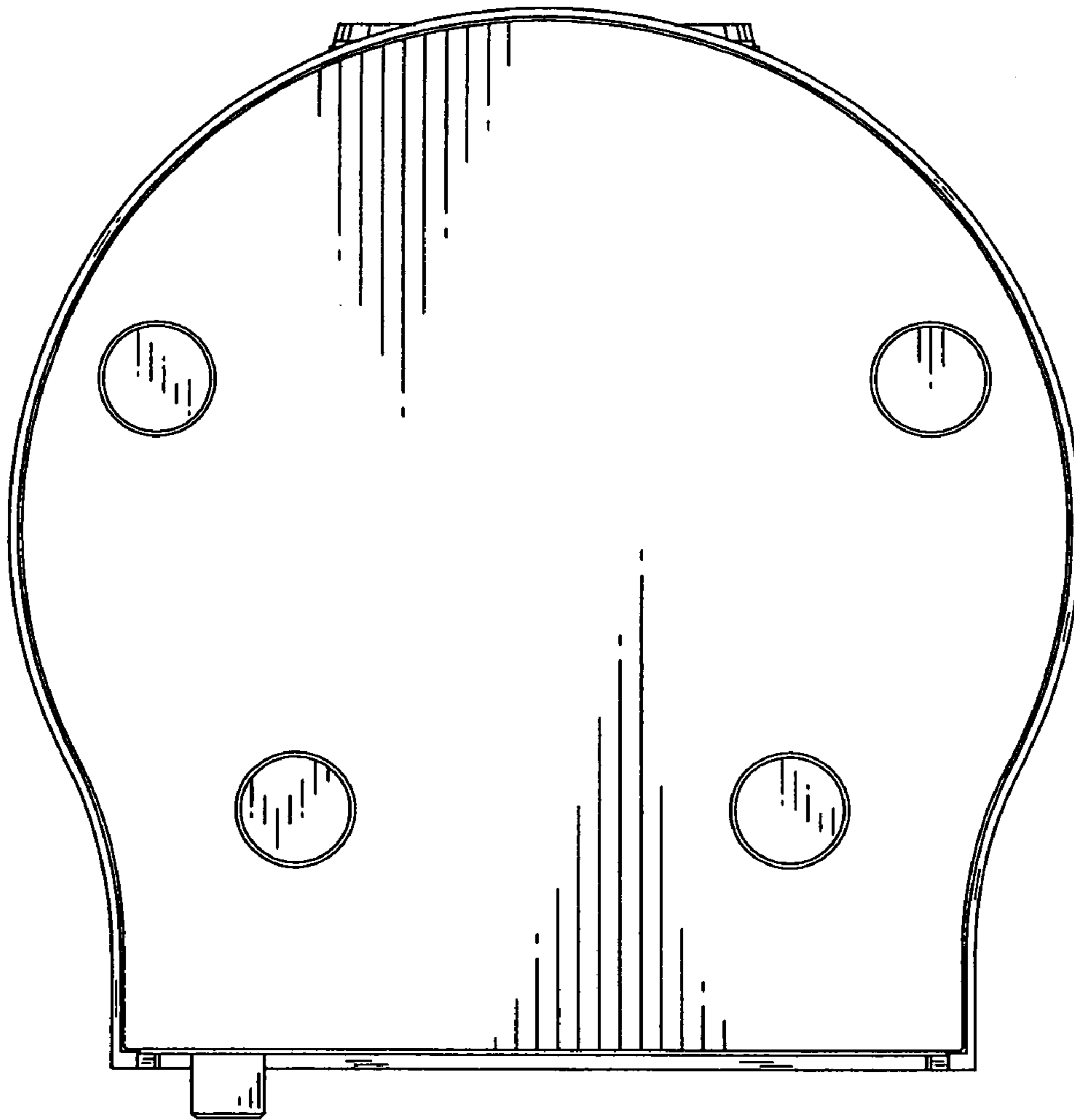


Fig.8

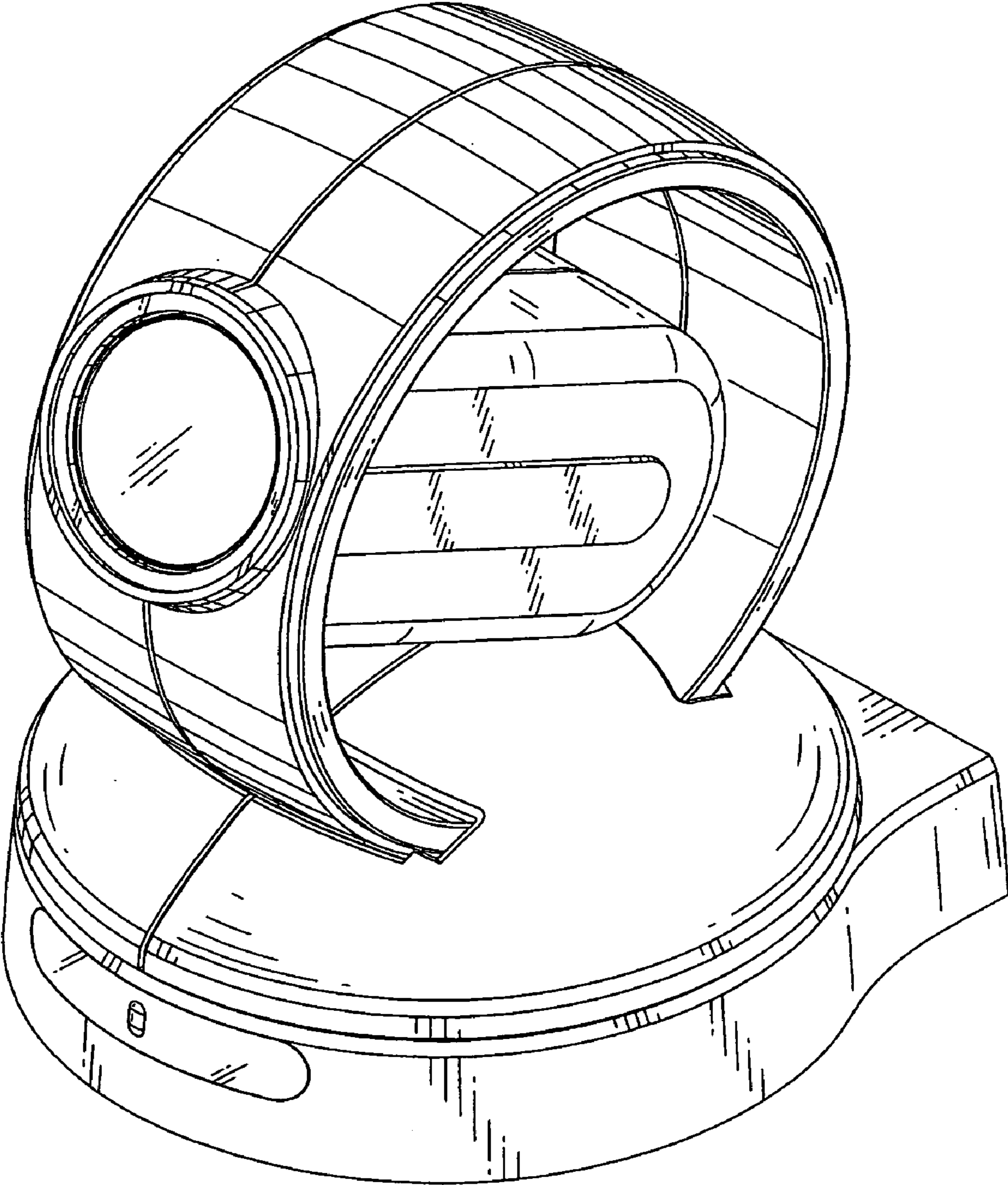


Fig.9

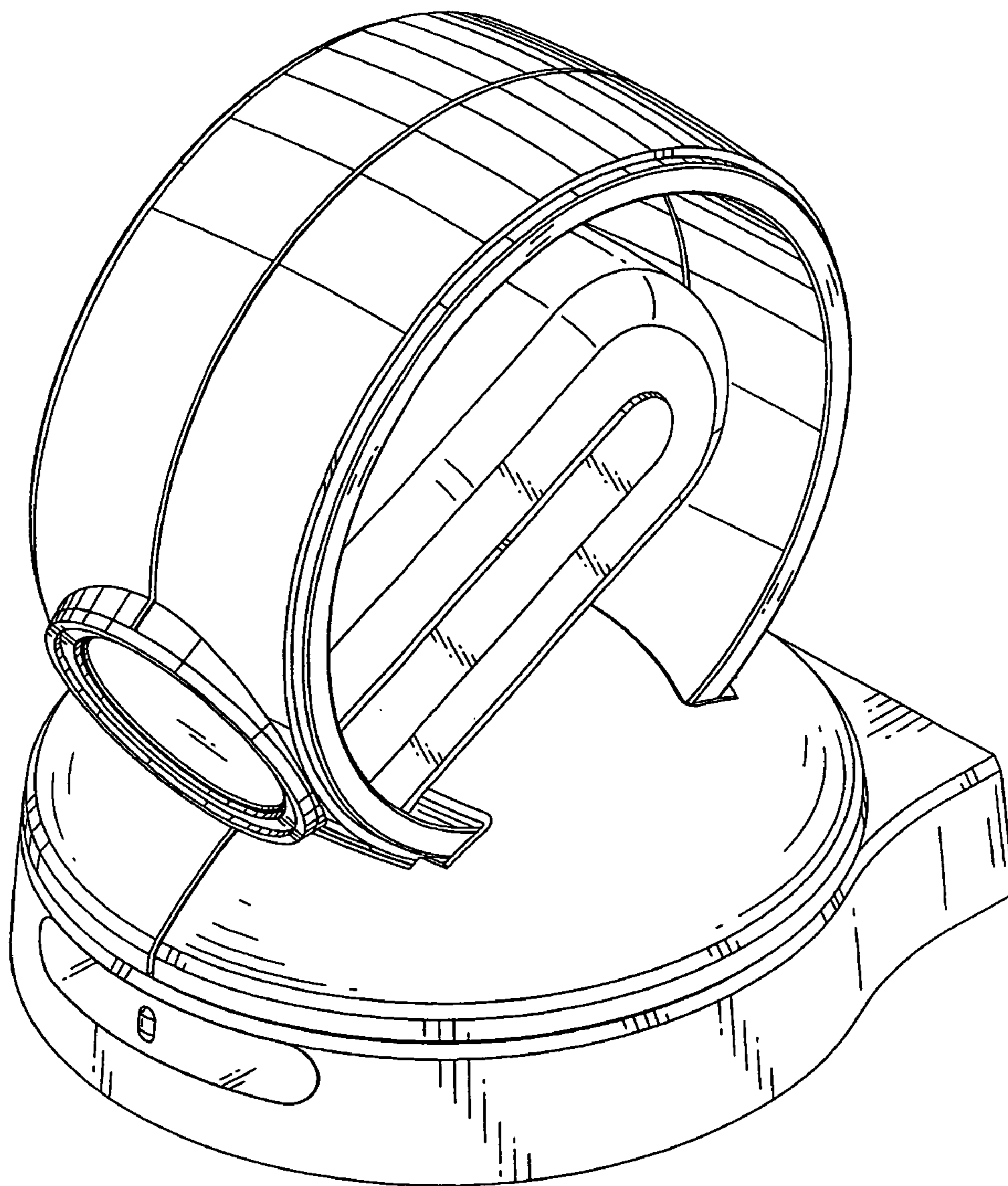


Fig.10

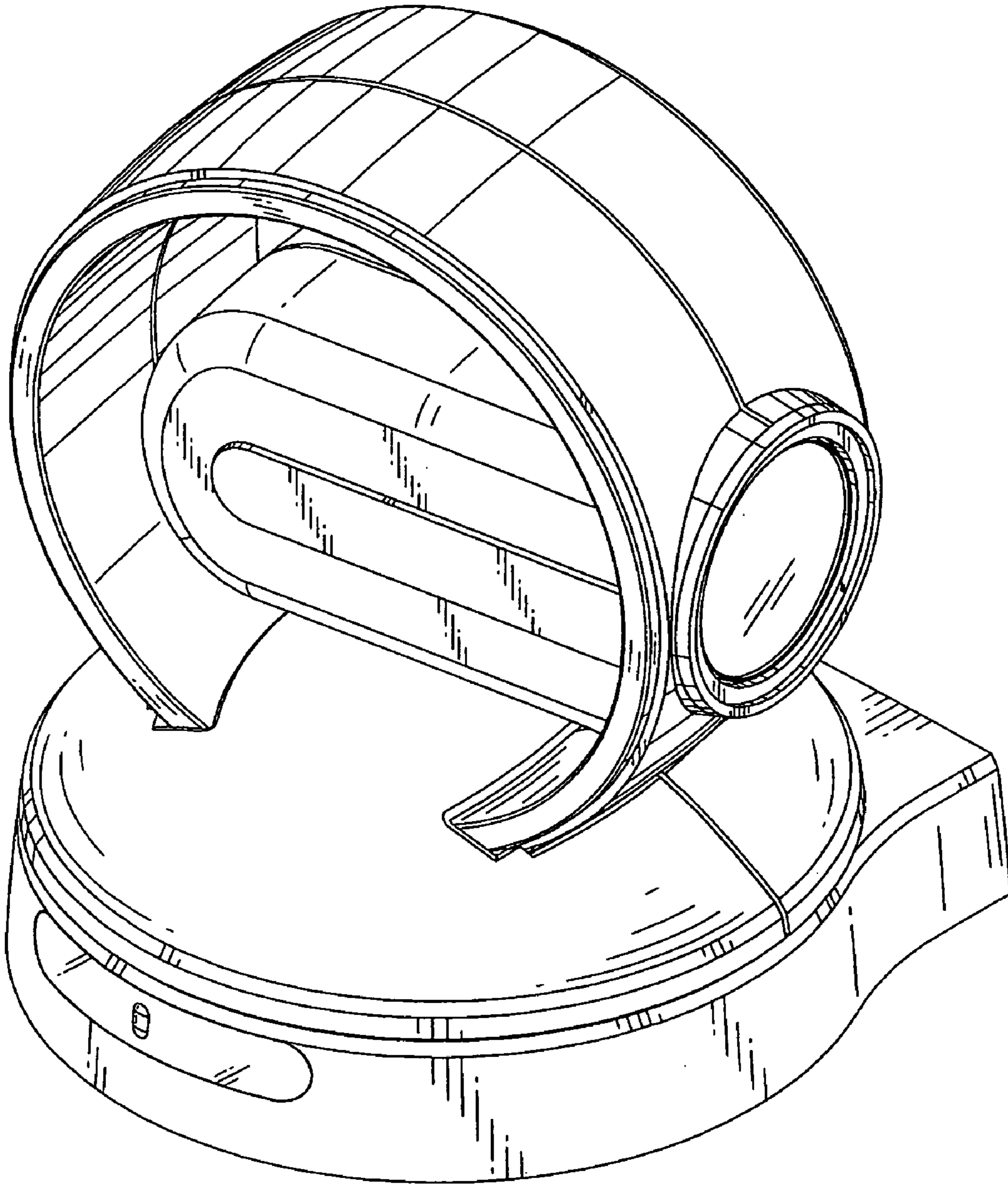


Fig.11

