



US00D566741S

(12) **United States Design Patent**  
**Matsuda**

(10) **Patent No.: US D566,741 S**

(45) **Date of Patent: \*\* Apr. 15, 2008**

(54) **DIGITAL CAMERA**

(75) Inventor: **Takashi Matsuda**, Saitama (JP)

(73) Assignee: **PENTAX Corporation**, Tokyo (JP)

(\*\*) Term: **14 Years**

(21) Appl. No.: **29/274,399**

(22) Filed: **Apr. 23, 2007**

(30) **Foreign Application Priority Data**

Oct. 26, 2006 (JP) ..... 2006-029237

(51) **LOC (8) Cl.** ..... **16-01**

(52) **U.S. Cl.** ..... **D16/202**

(58) **Field of Classification Search** ..... D16/200–204,  
D16/208, 218; 348/373–376; 358/909.1;  
396/535–541

See application file for complete search history.

(56) **References Cited**

**U.S. PATENT DOCUMENTS**

D516,599 S *	3/2006	Nakamura	.....	D16/202
D523,456 S *	6/2006	Chang	.....	D16/202
D531,652 S *	11/2006	Ogino et al.	.....	D16/202
D533,574 S *	12/2006	Hamamura	.....	D16/202
D534,564 S *	1/2007	Tainaka	.....	D16/202
D537,093 S *	2/2007	Nakamura	.....	D16/202
D548,252 S *	8/2007	Tajima	.....	D16/202

2006/0088315 A1\* 4/2006 Kappali et al. .... 396/535

\* cited by examiner

*Primary Examiner*—Adir Aronovich

(74) *Attorney, Agent, or Firm*—Sughrue Mion, PLLC

(57) **CLAIM**

The ornamental design for a digital camera, as shown and described.

**DESCRIPTION**

FIG. 1 is a perspective view of the top, front and right side of a digital camera showing my new design;

FIG. 2 is a top plan view thereof;

FIG. 3 is a front elevational view thereof;

FIG. 4 is a rear elevational view thereof;

FIG. 5 is a bottom plan view thereof;

FIG. 6 is a left side elevational view thereof;

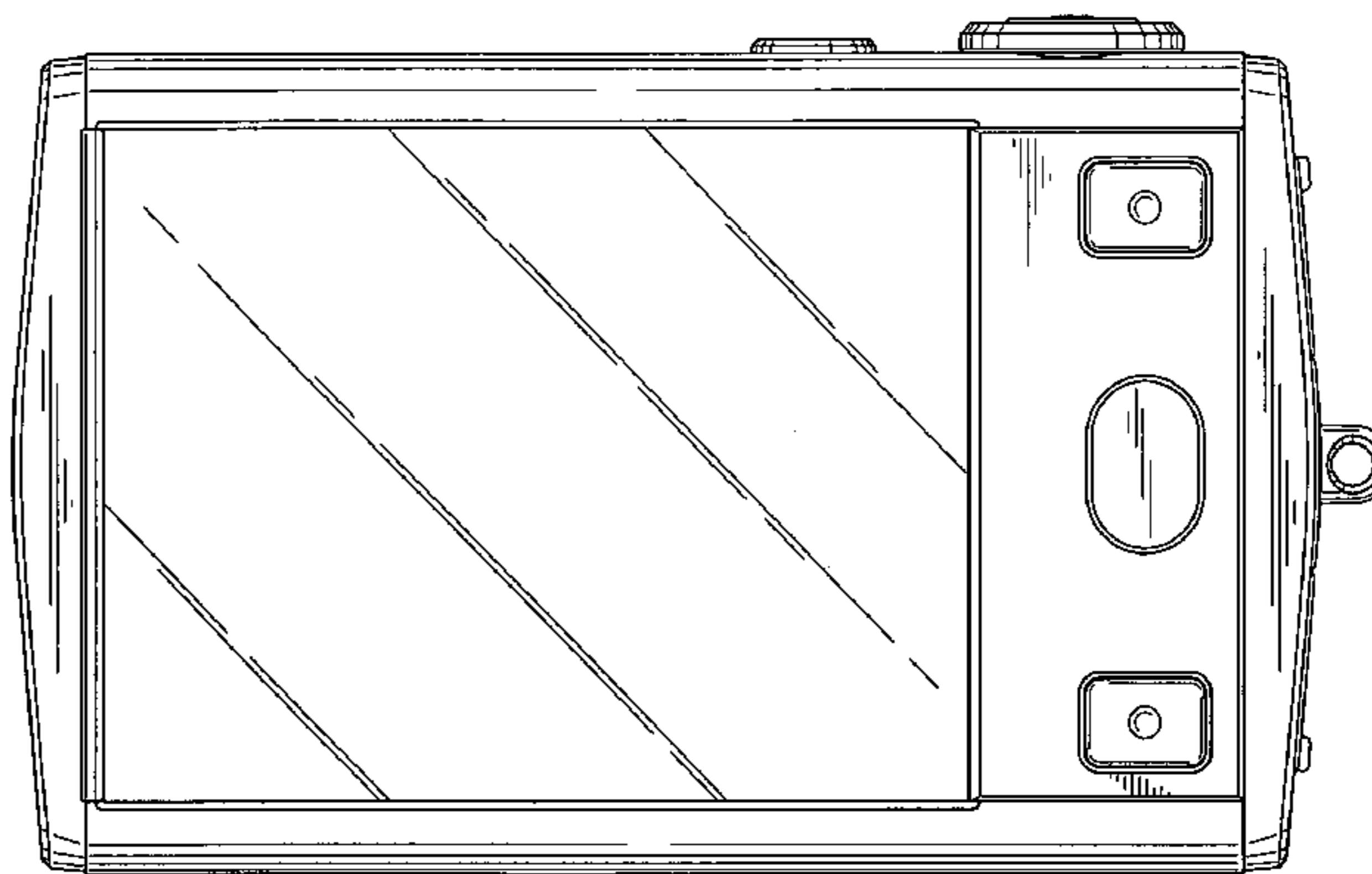
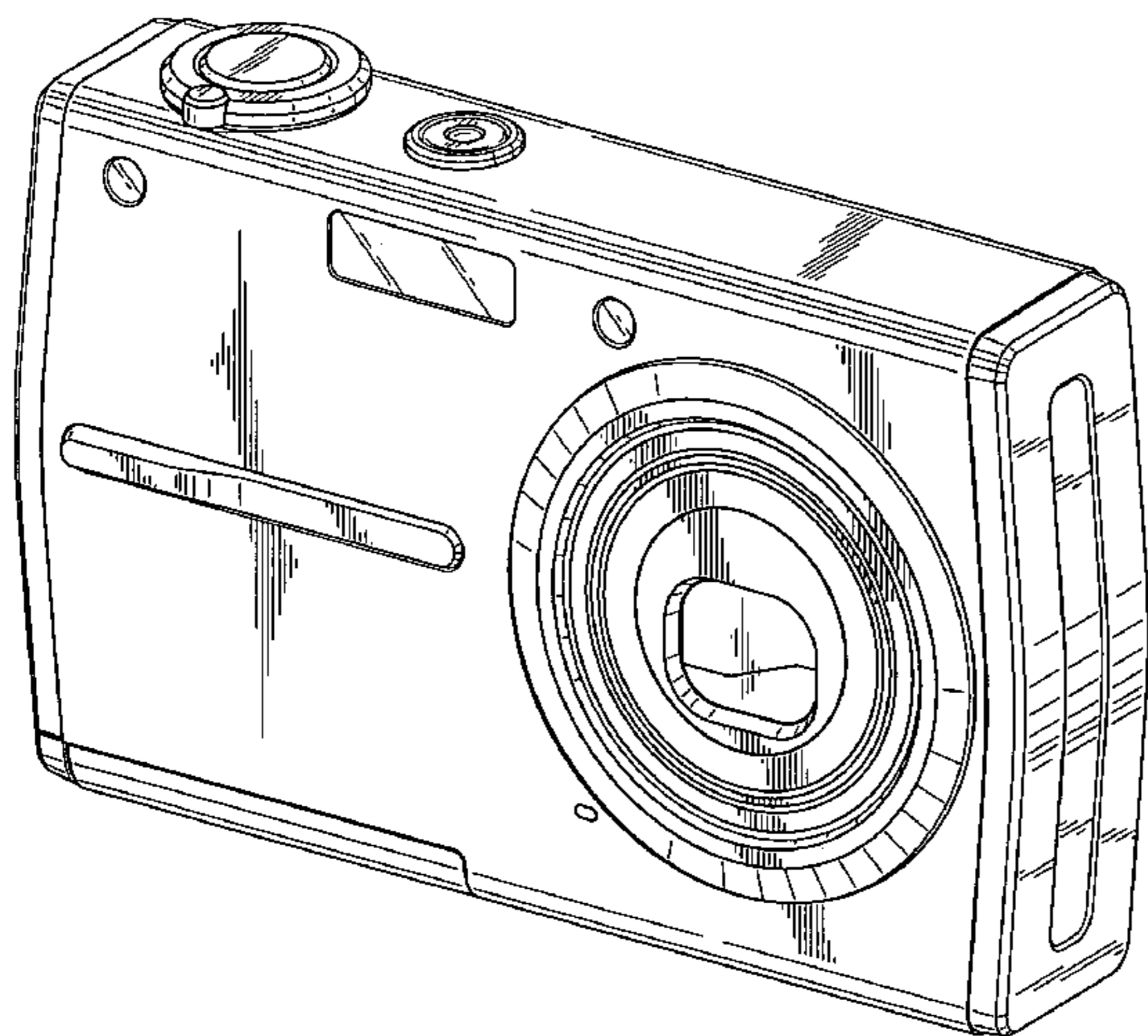
FIG. 7 is a right side elevational view thereof;

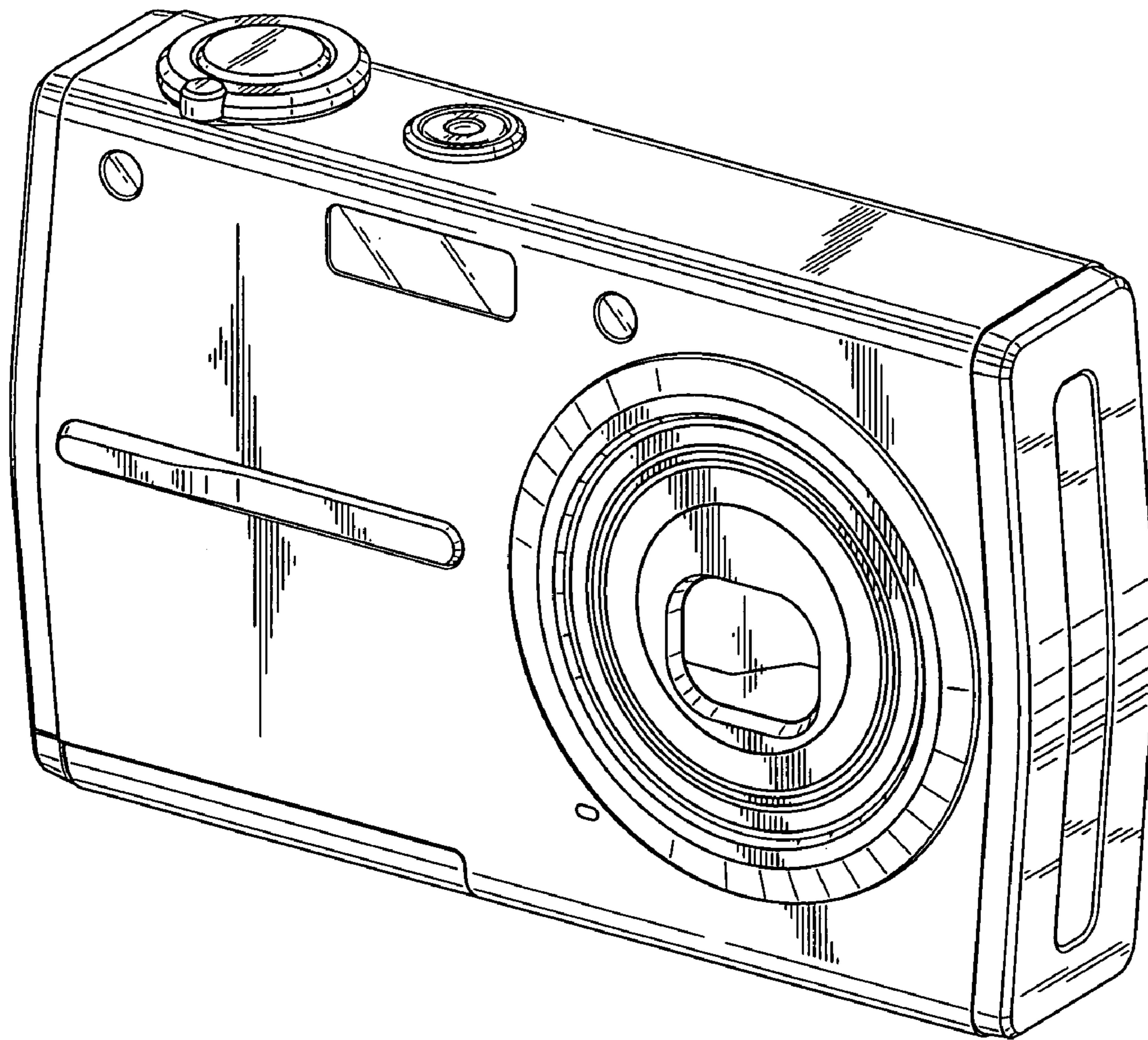
FIG. 8 is a front elevational view thereof, the lens being in an open position; and,

FIG. 9 is a right side elevational view thereof, the lens being in an extended position.

The portions shown in broken lines are for illustrative purposes only and form no part of the claimed design.

**1 Claim, 6 Drawing Sheets**





*FIG. 1*

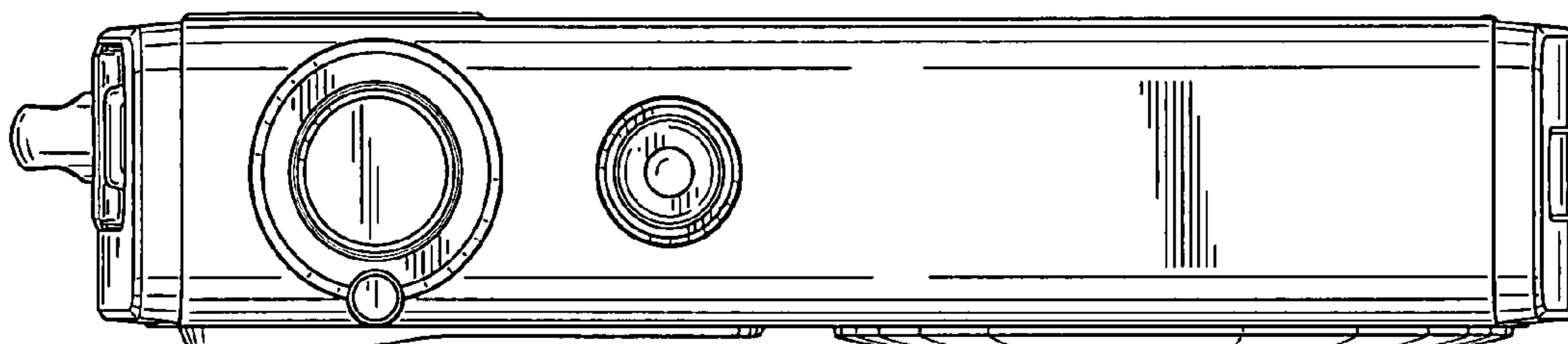


FIG. 2

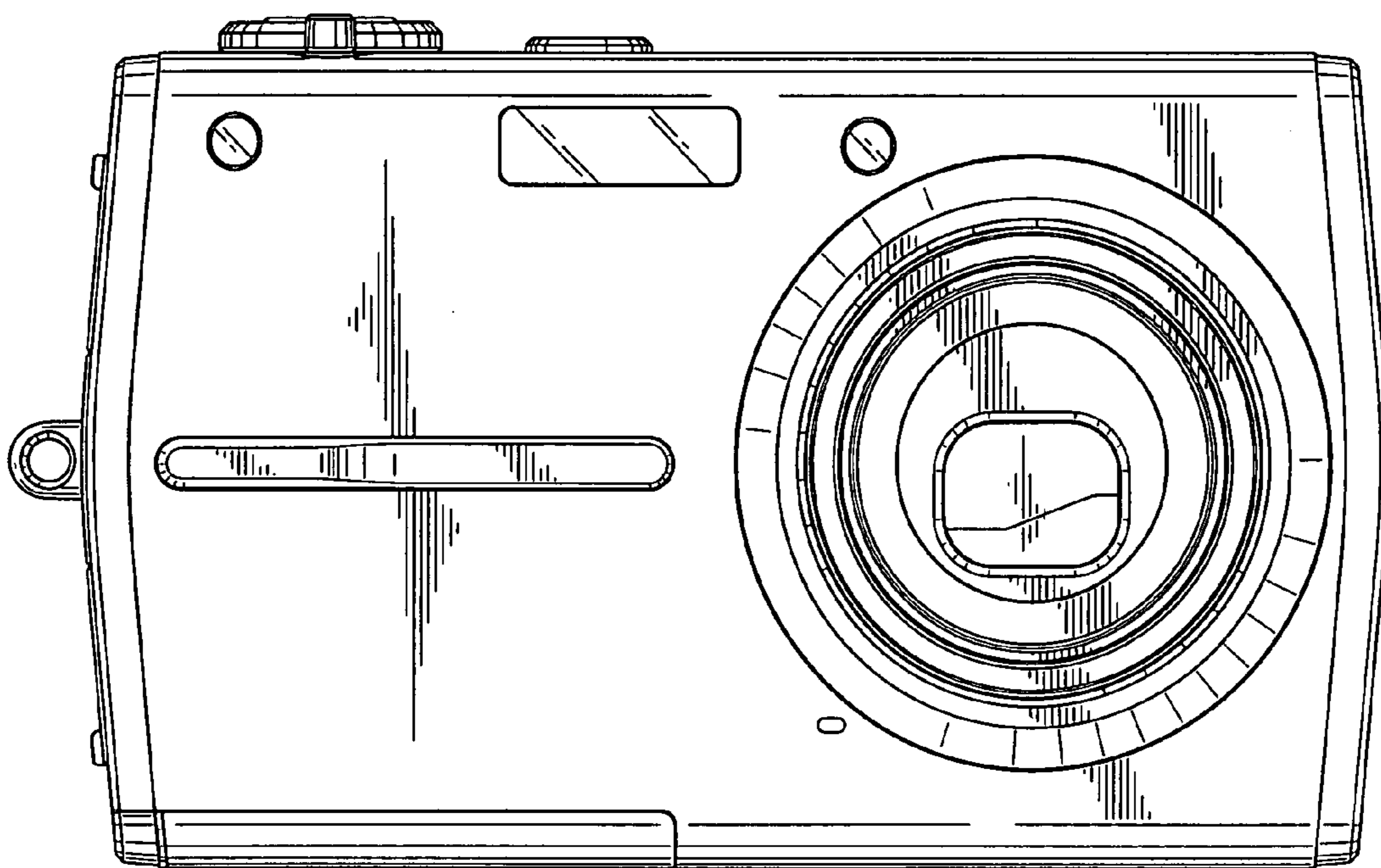


FIG. 3

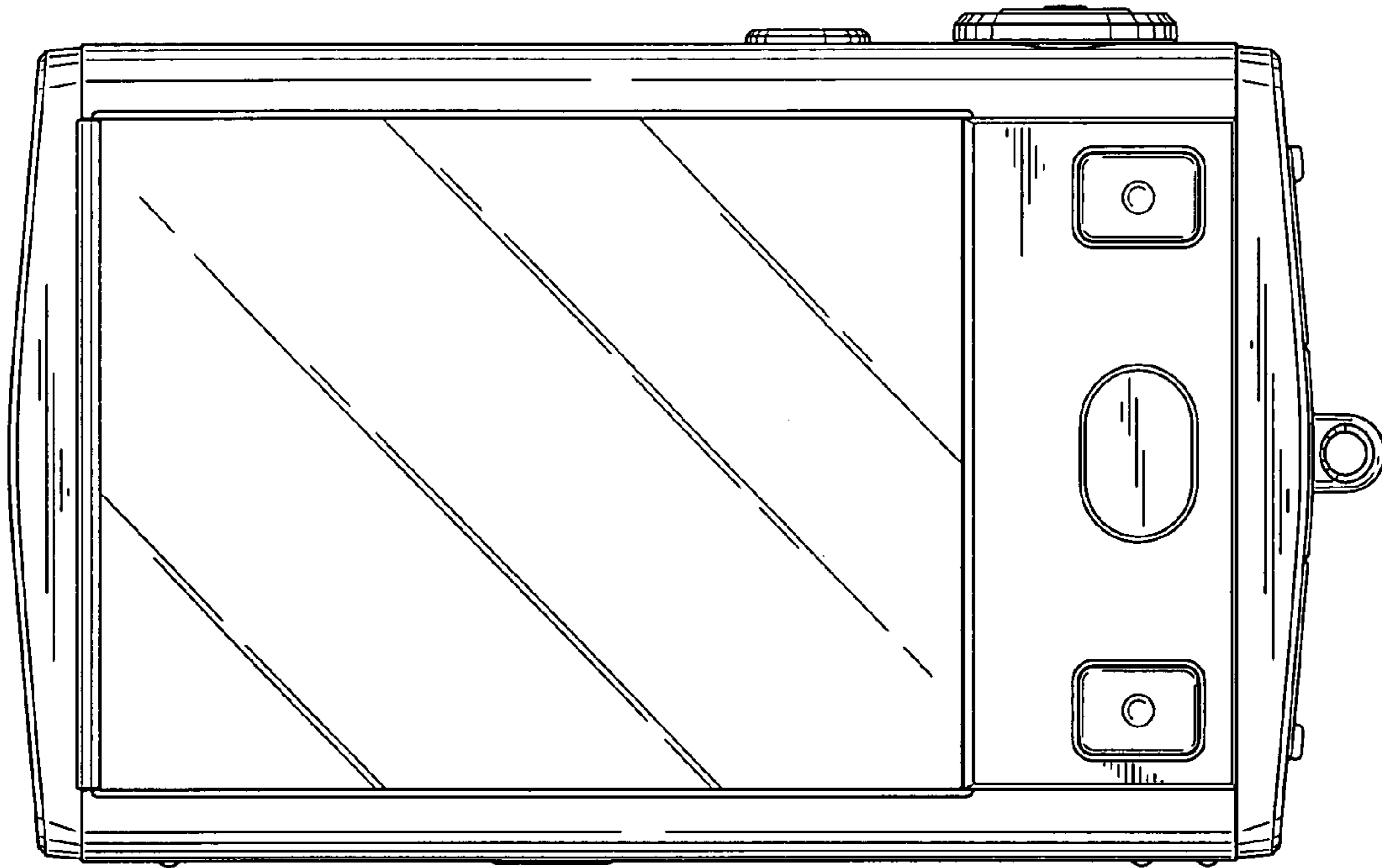


FIG. 4

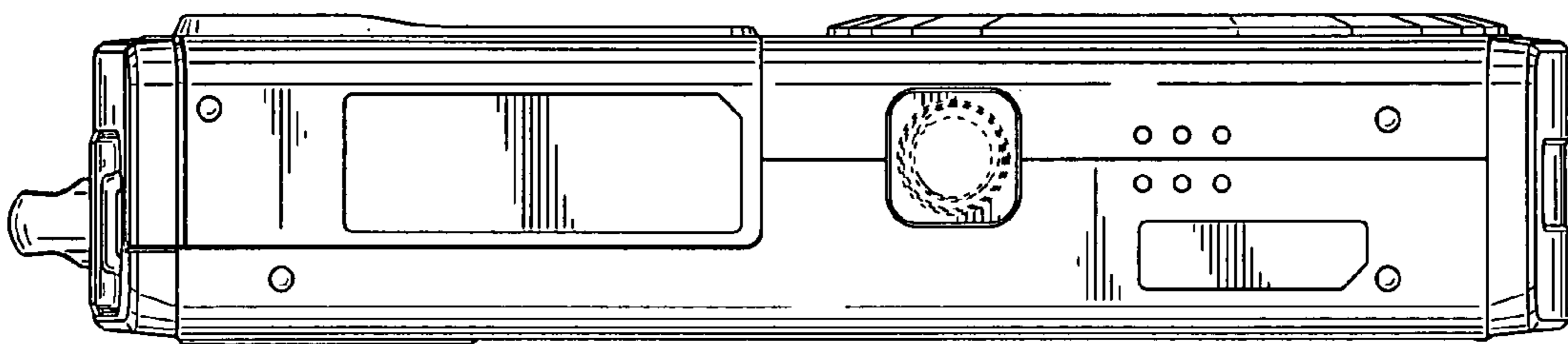
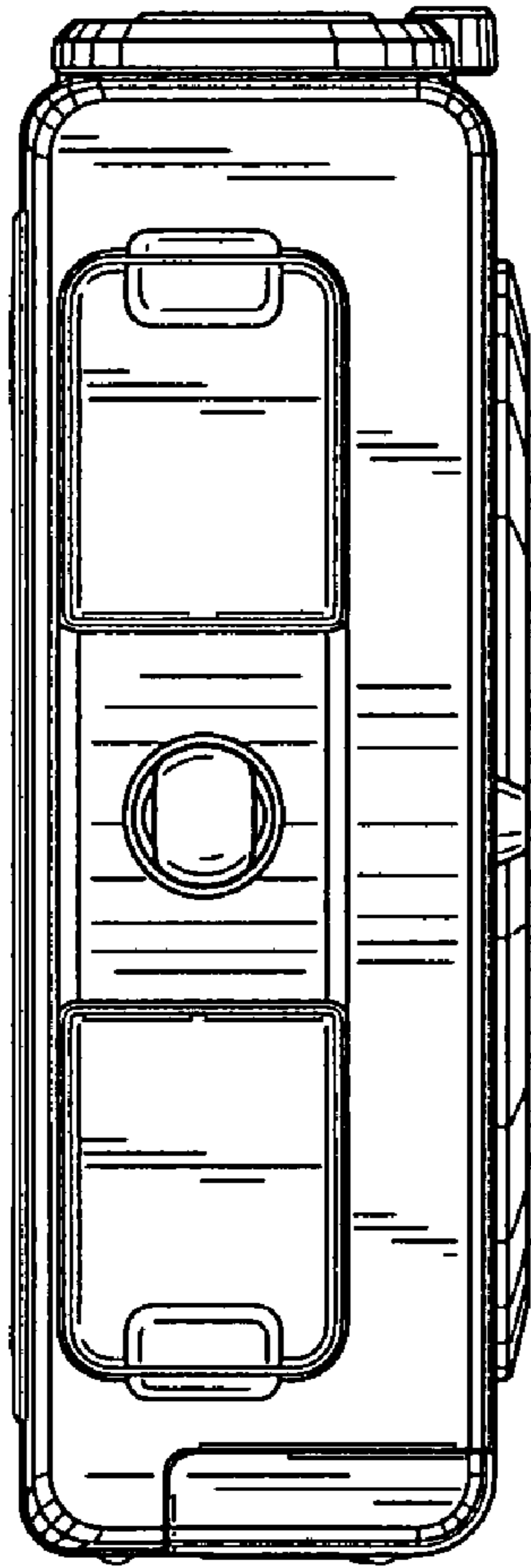
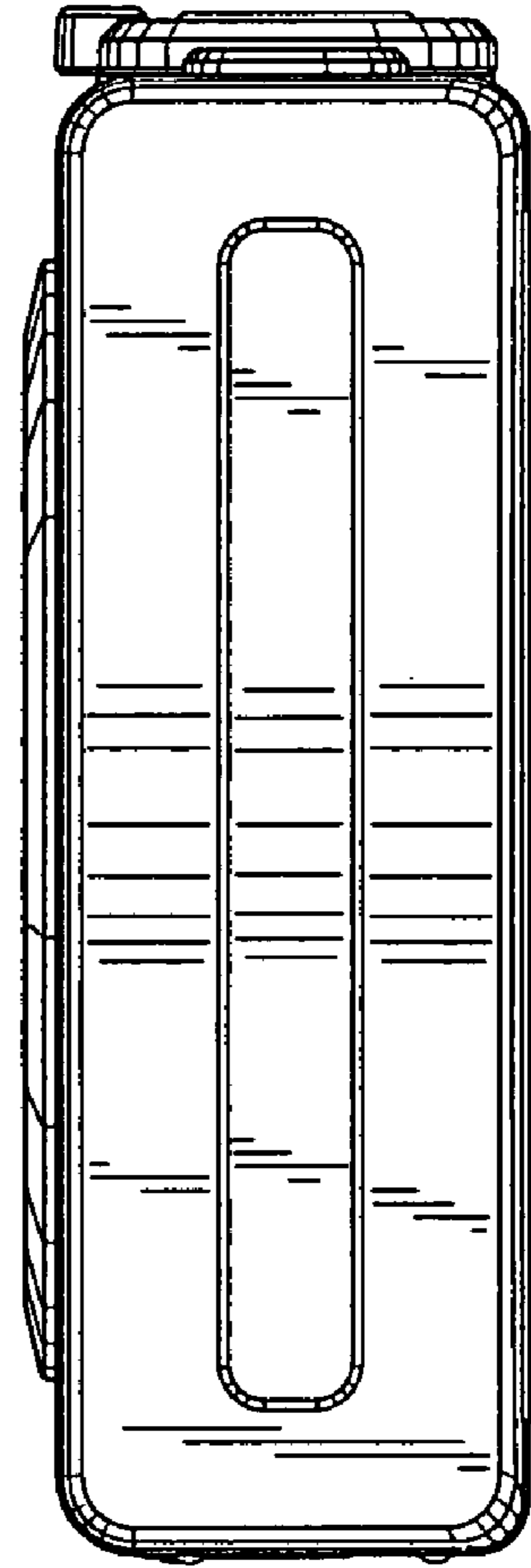


FIG. 5

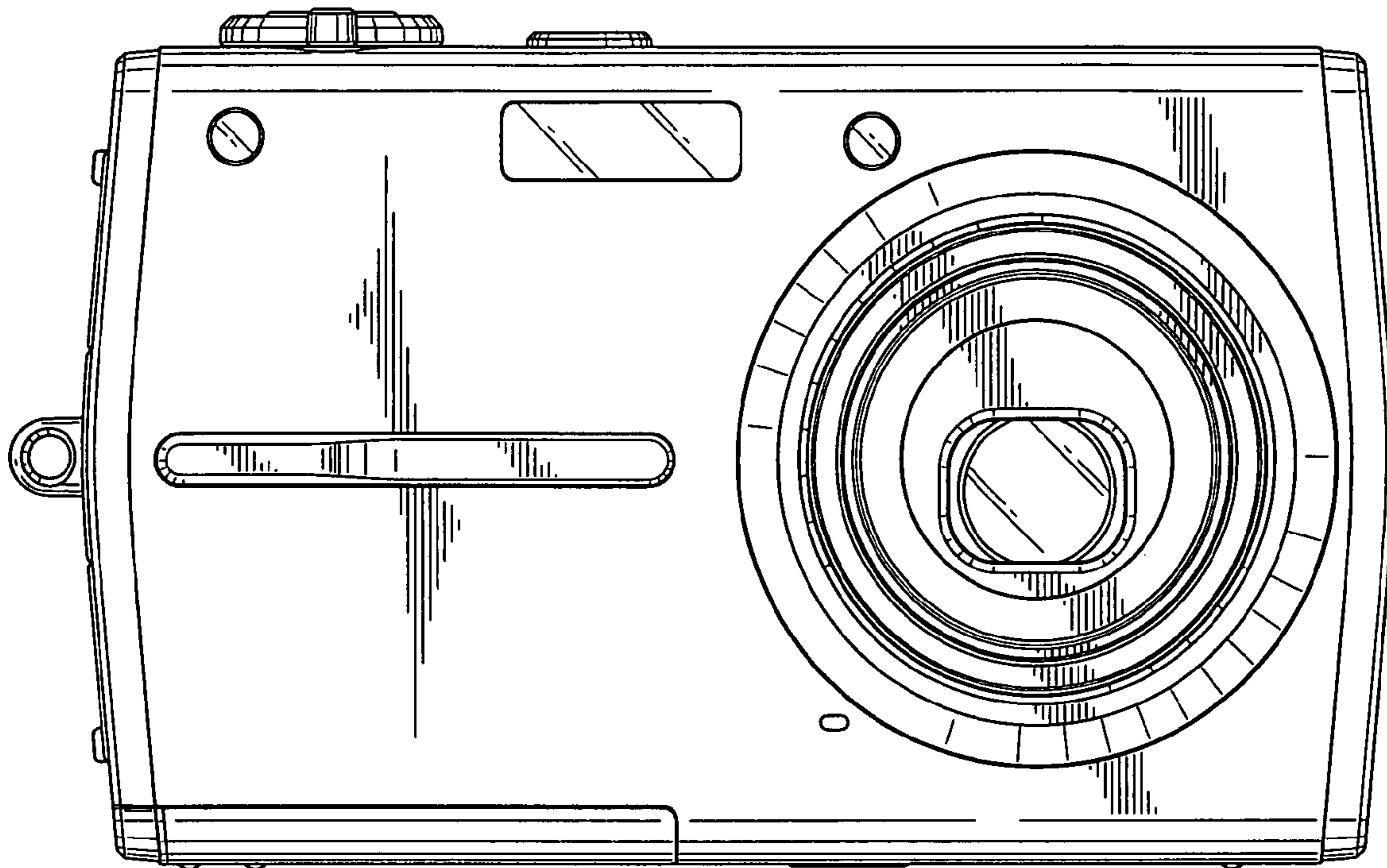




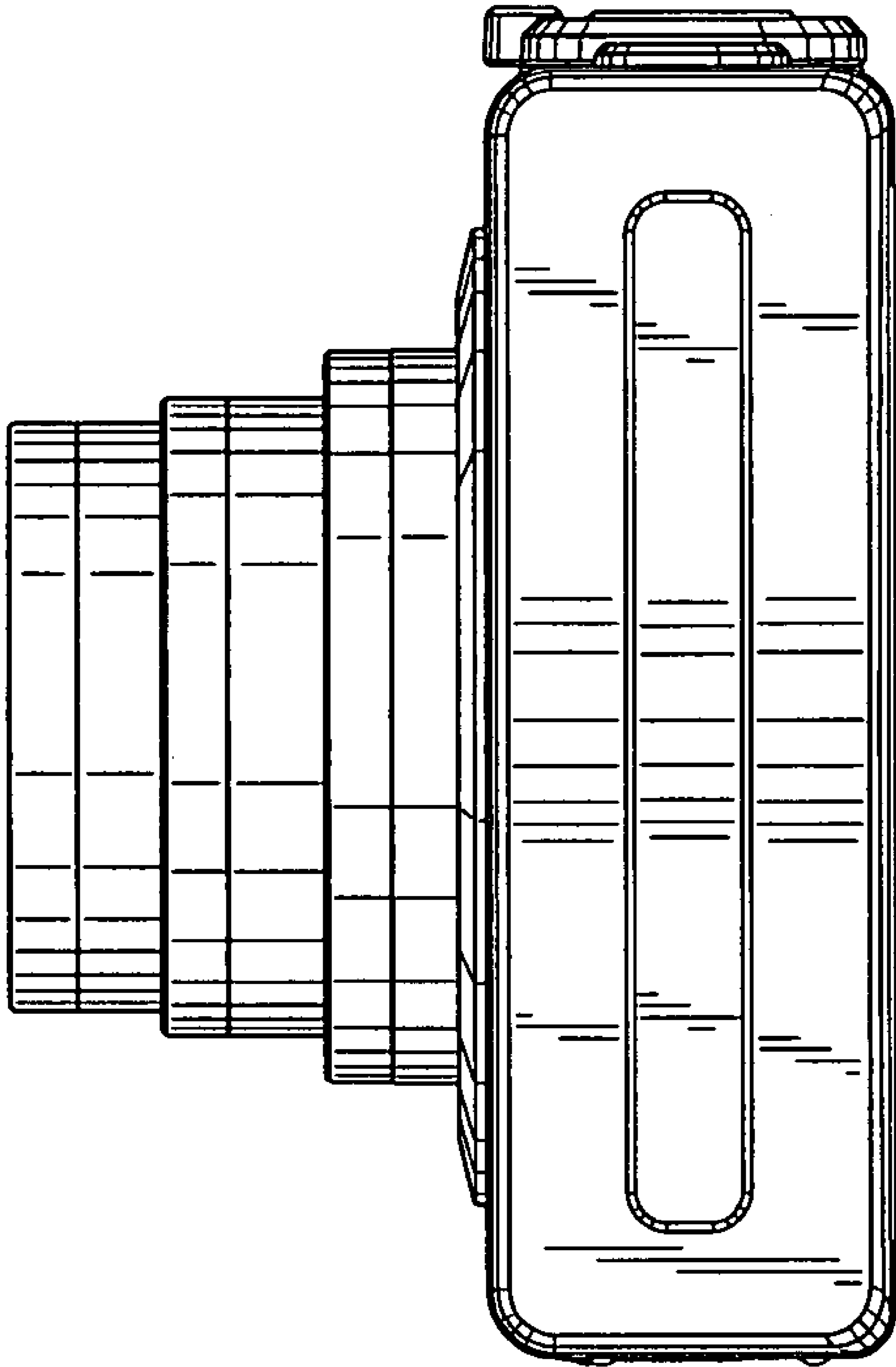
*FIG. 6*



*FIG. 7*



*FIG. 8*



**FIG. 9**