

US00D566740S

(12) **United States Design Patent**
Nohara

(10) **Patent No.:** **US D566,740 S**
(45) **Date of Patent:** **** Apr. 15, 2008**

(54) **DIGITAL CAMERA**

(75) Inventor: **Takeshi Nohara**, Hachioji (JP)

(73) Assignee: **Olympus Imaging Corp.**, Tokyo (JP)

(**) Term: **14 Years**

(21) Appl. No.: **29/263,783**

(22) Filed: **Jul. 28, 2006**

(51) **LOC (8) Cl.** **16-01**

(52) **U.S. Cl.** **D16/202**

(58) **Field of Classification Search** D16/200–204,
D16/208, 218, 219; 348/373–376; 358/909.1;
396/535–541

See application file for complete search history.

(56) **References Cited**

U.S. PATENT DOCUMENTS

D496,380 S *	9/2004	Isomoto	D16/202
D497,926 S *	11/2004	Yanagisawa et al.	D16/218
D516,599 S *	3/2006	Nakamura	D16/202
D524,345 S *	7/2006	Hayamizu	D16/202
D533,574 S *	12/2006	Hamamura	D16/202
D533,886 S *	12/2006	Shimizu	D16/202
D534,564 S *	1/2007	Tainaka	D16/202
D535,314 S *	1/2007	Chang	D16/202

2005/0057685 A1* 3/2005 Yamaguchi 348/375

FOREIGN PATENT DOCUMENTS

JP D1231161 2/2005
JP D1287853 12/2006

* cited by examiner

Primary Examiner—Adir Aronovich

(74) *Attorney, Agent, or Firm*—Straub and Pokotylo; John C. Pokotylo

(57) **CLAIM**

The ornamental design for a digital camera, as shown and described.

DESCRIPTION

FIG. 1 is a front, top and right side perspective view of a digital camera, showing our new design;

FIG. 2 is a rear, top and left side perspective view thereof;

FIG. 3 is a front view thereof;

FIG. 4 is a rear view thereof;

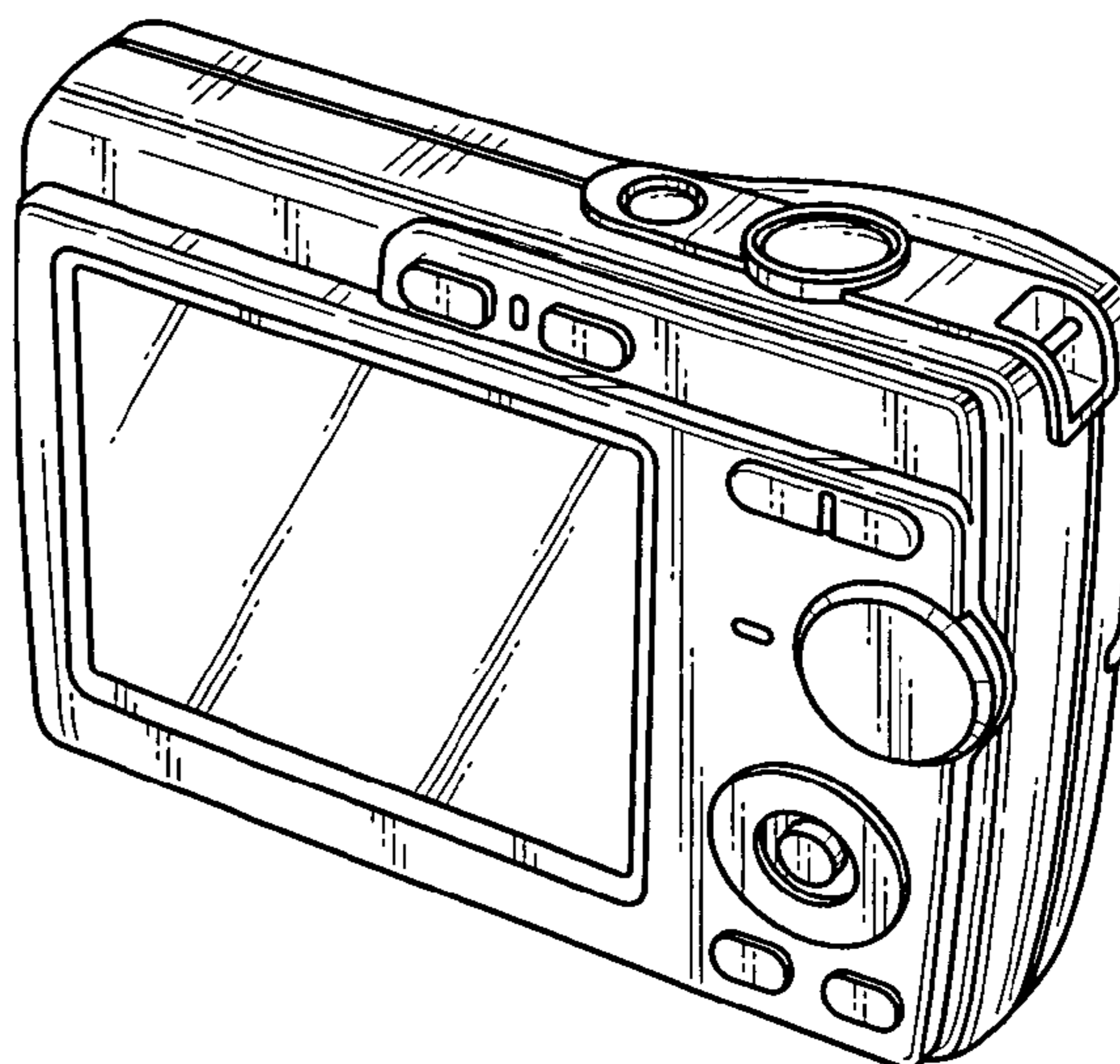
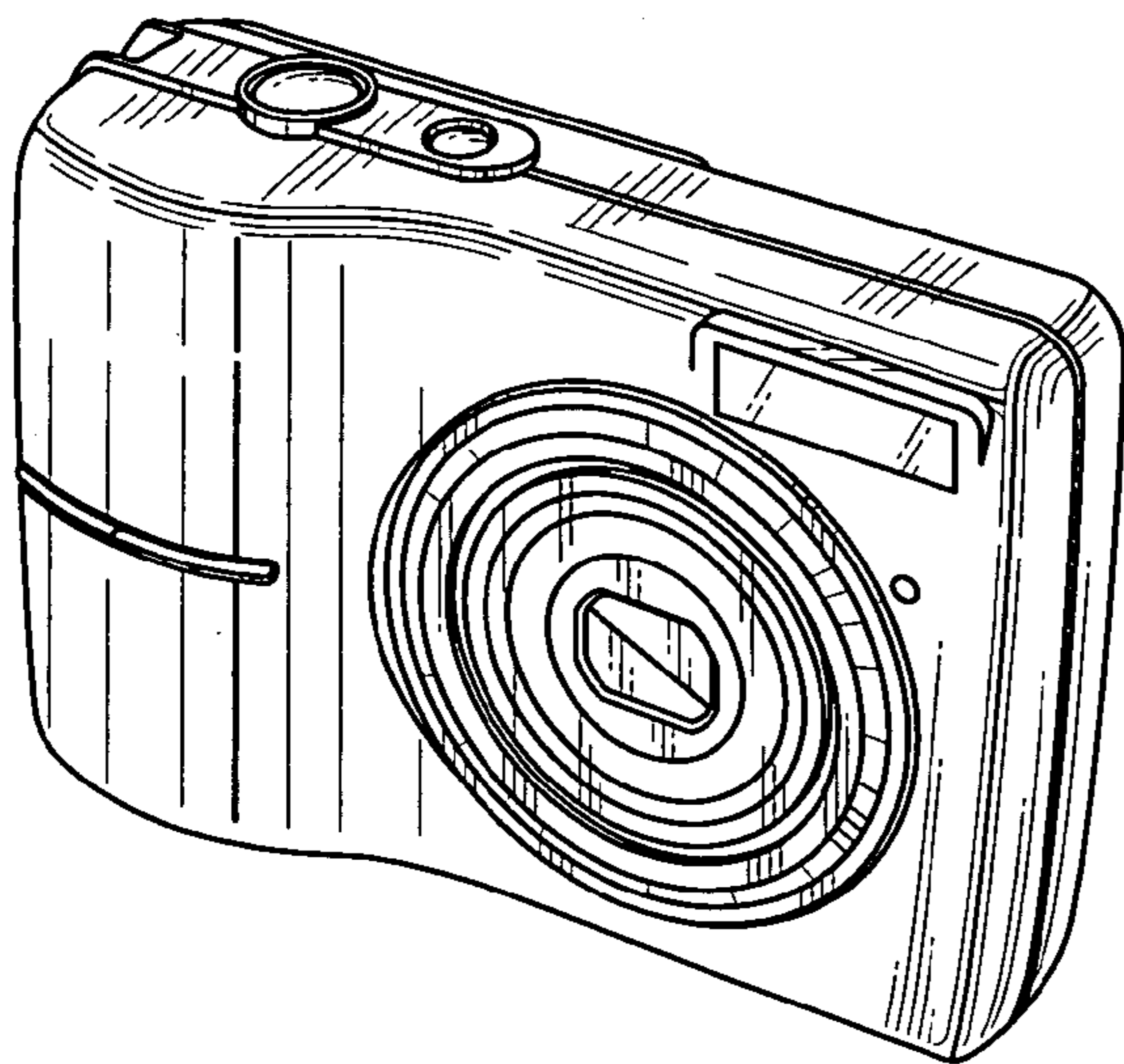
FIG. 5 is a top plan view thereof;

FIG. 6 is a bottom plan view thereof;

FIG. 7 is a left side view thereof; and,

FIG. 8 is a right side view thereof.

1 Claim, 3 Drawing Sheets



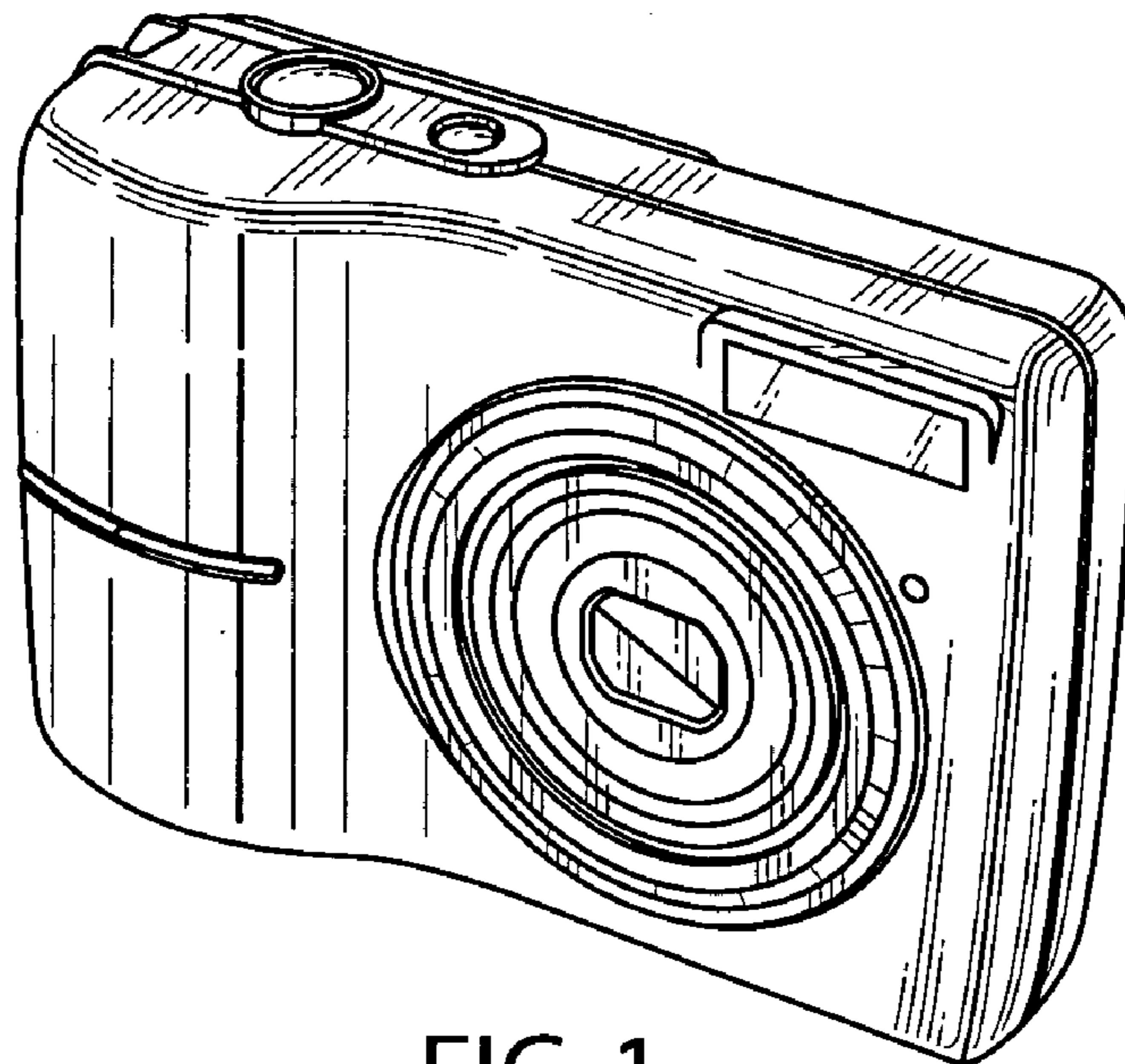


FIG. 1

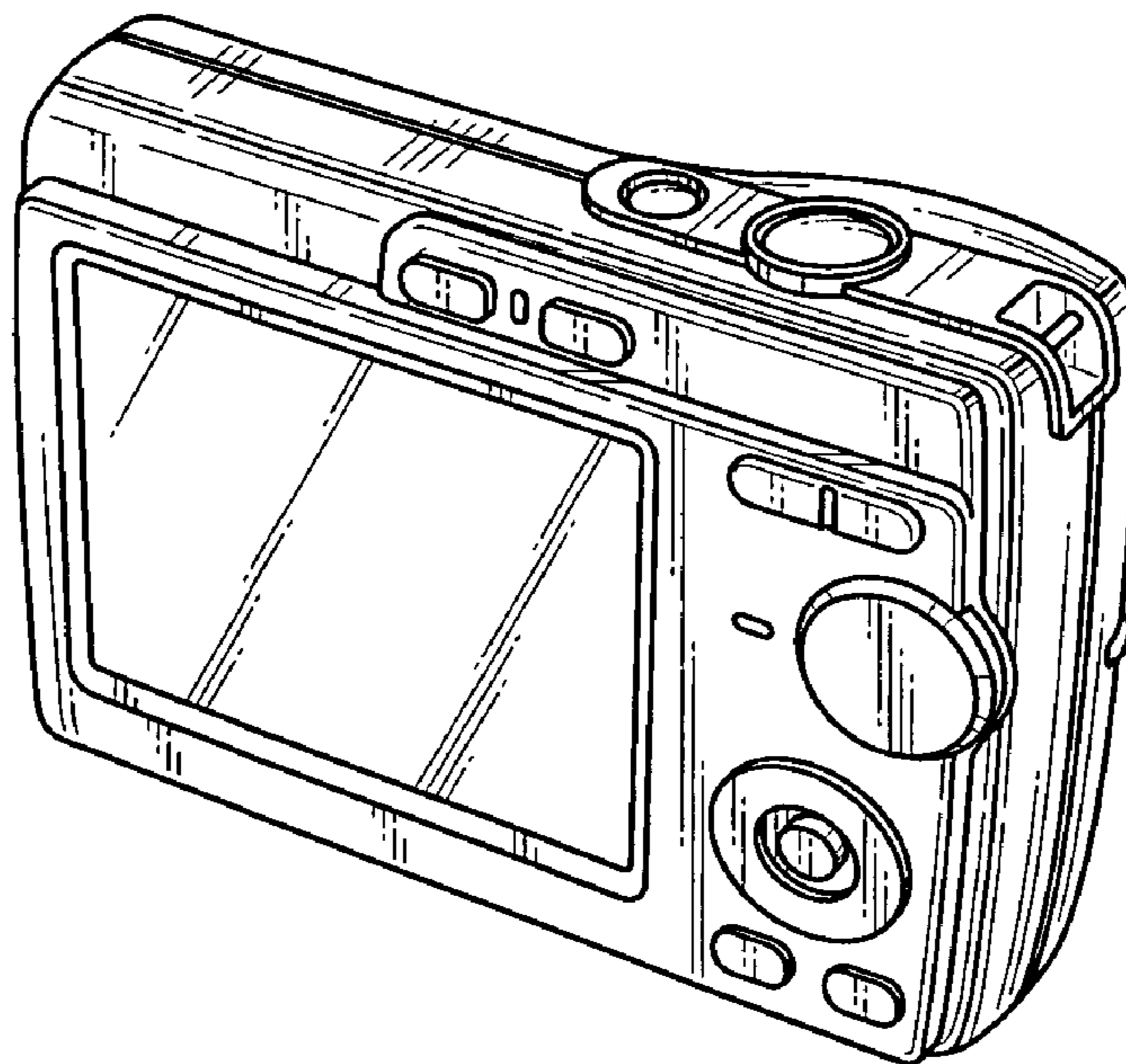


FIG. 2

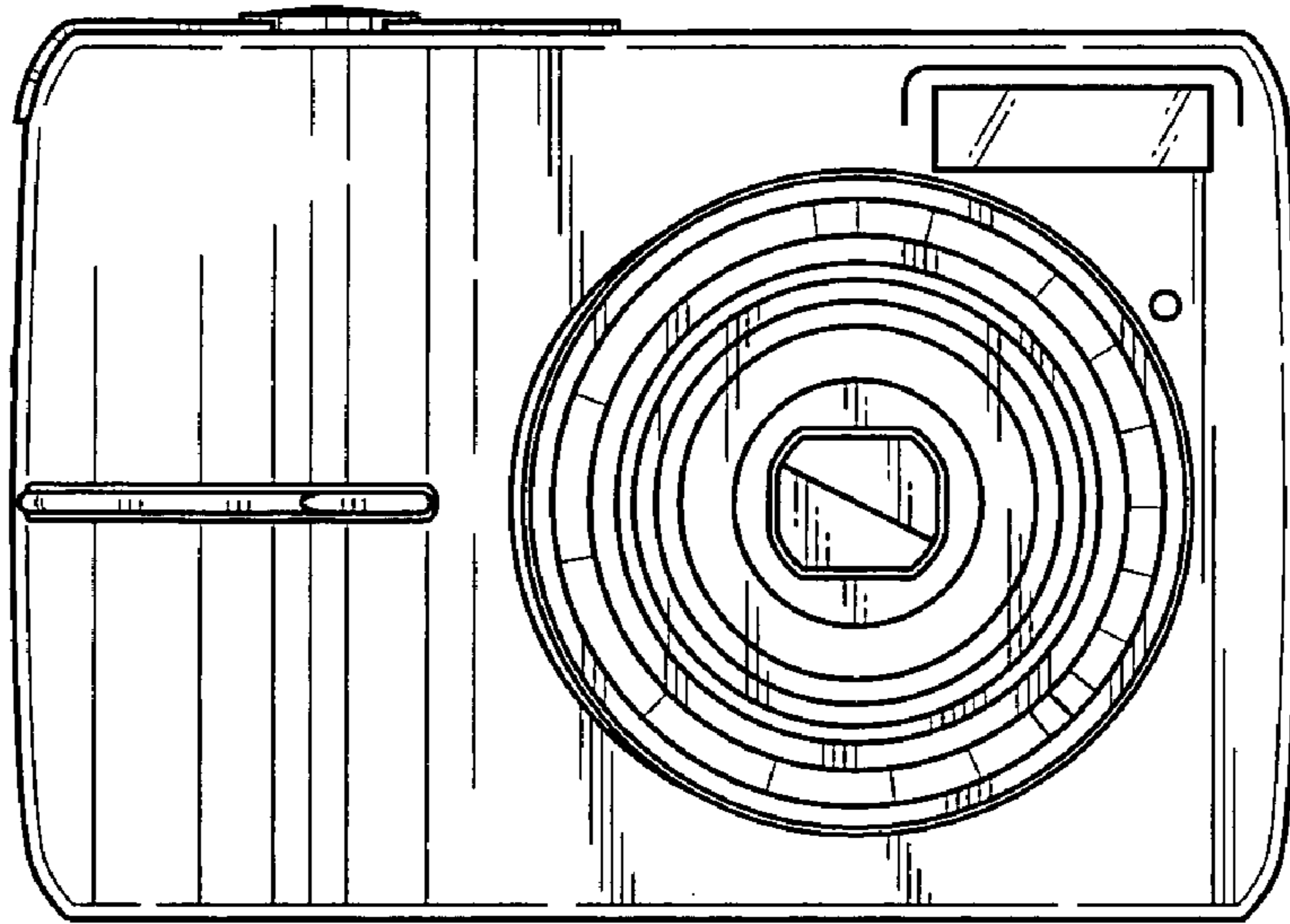


FIG. 3

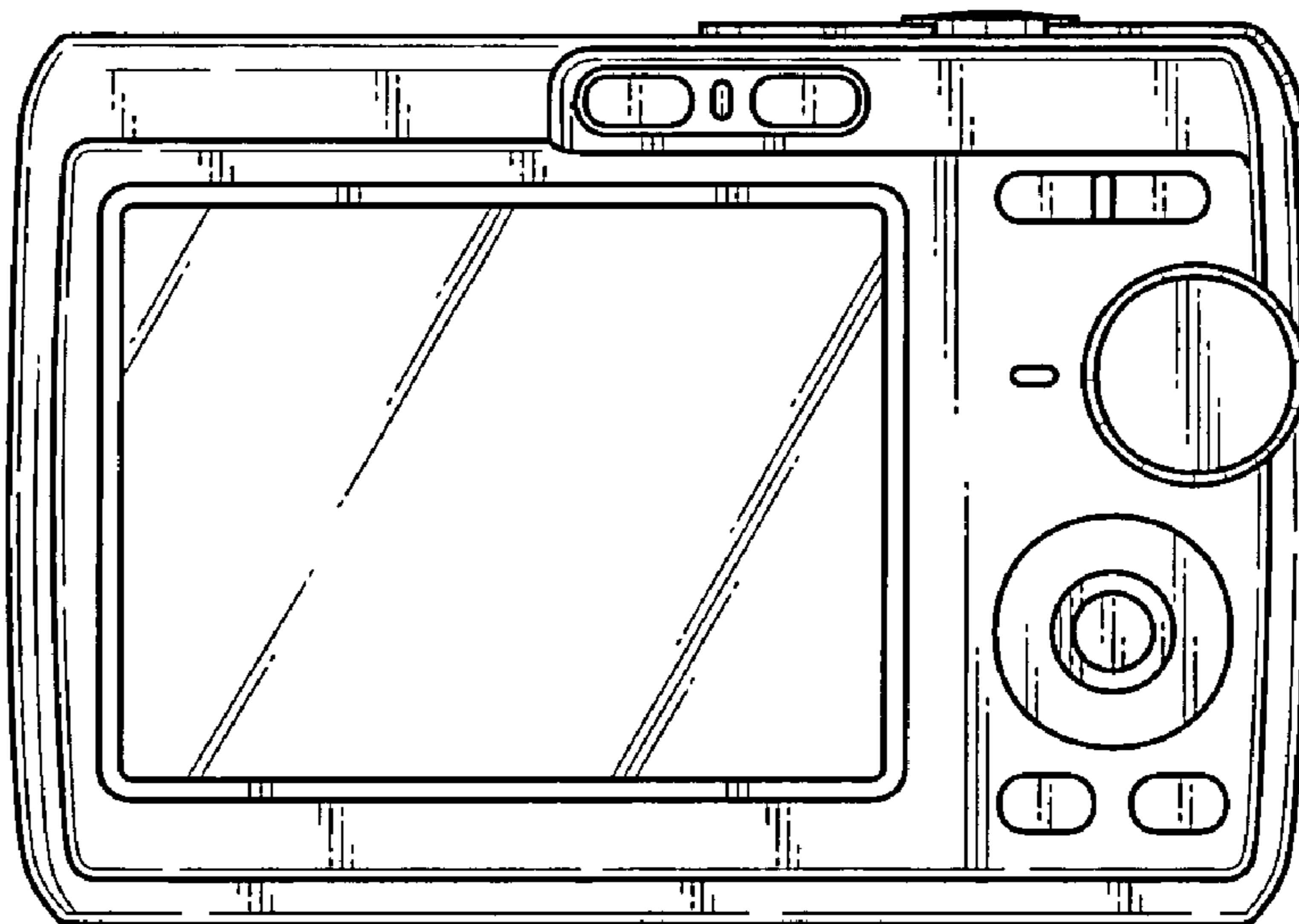


FIG. 4

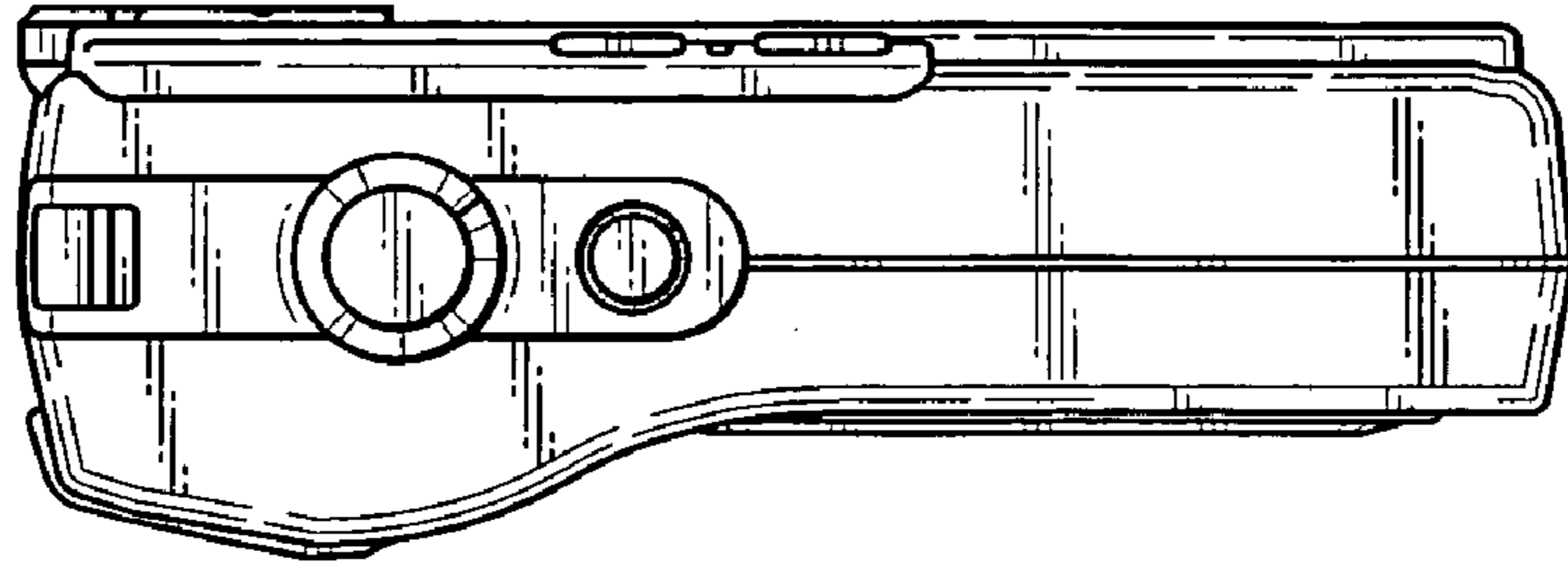


FIG. 5

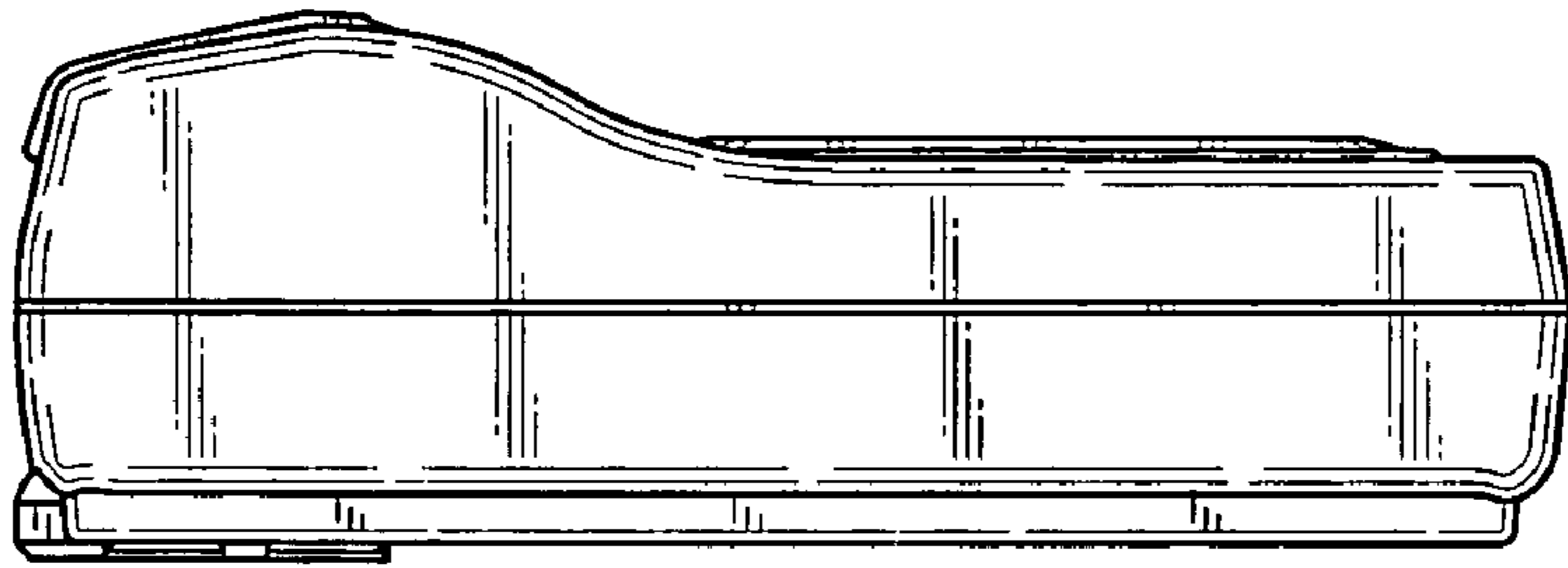


FIG. 6

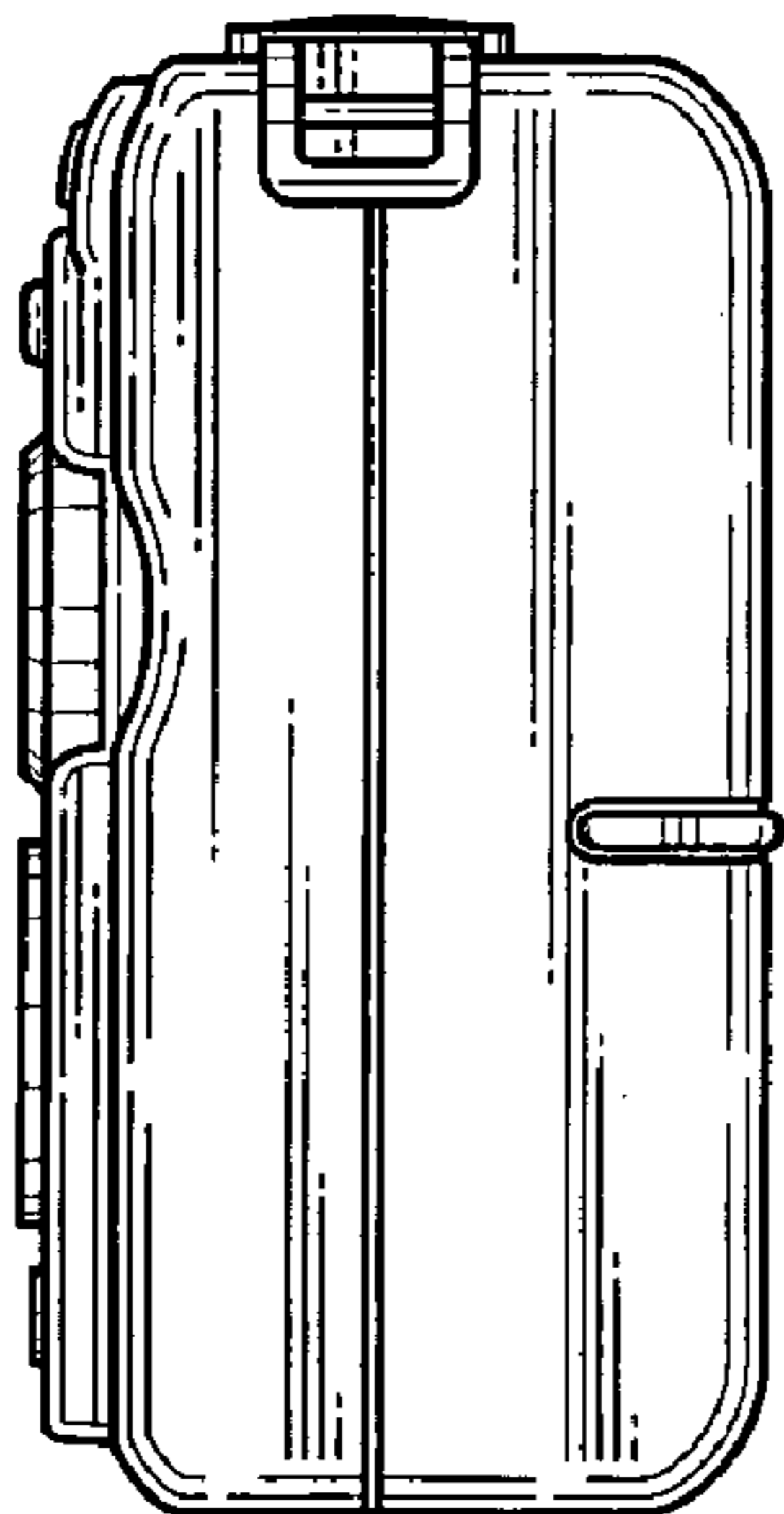


FIG. 7

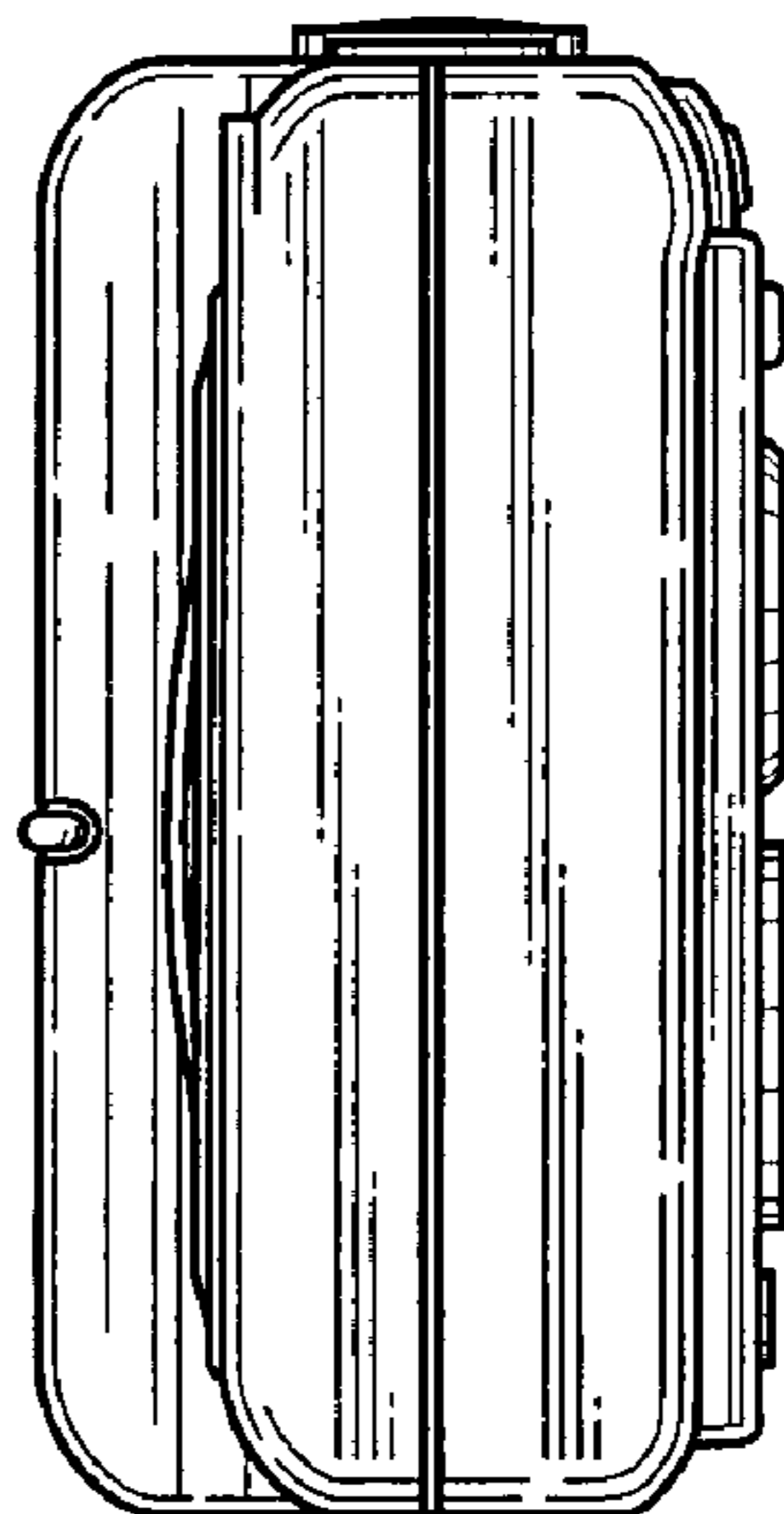


FIG. 8