



US00D566737S

(12) **United States Design Patent**  
**Matsuda**

(10) **Patent No.:** **US D566,737 S**

(45) **Date of Patent:** **\*\* Apr. 15, 2008**

(54) **ROBOT**

(75) Inventor: **Yoshihiro Matsuda**, Toyota (JP)

(73) Assignee: **Toyota Jidosha Kabushiki Kaisha** (JP)

(\*\*) Term: **14 Years**

(21) Appl. No.: **29/256,625**

(22) Filed: **Mar. 22, 2006**

(51) **LOC (8) Cl.** ..... **15-99**

(52) **U.S. Cl.** ..... **D15/199**

(58) **Field of Classification Search** ..... D15/199;  
D21/166, 171, 177, 578, 593, 594, 621, 634;  
180/8.6; 318/568.12, 568.2; 364/424.02

See application file for complete search history.

(56) **References Cited**

**U.S. PATENT DOCUMENTS**

D251,628	S	*	4/1979	McQuarrie et al.	.....	D21/578
4,239,431	A	*	12/1980	Davini	.....	414/1
4,273,506	A	*	6/1981	Thomson et al.	.....	414/735
D262,474	S	*	12/1981	Doornick et al.	.....	D21/578
6,604,021	B2	*	8/2003	Imai et al.	.....	700/245

**OTHER PUBLICATIONS**

HOSPI, Press Release of Matsushita Electric Works, Ltd., Feb. 2004.

Nursebot "Pearl", Website of Nursebot Project, Feb. 2004, Carnegie Mellon University.

\* cited by examiner

*Primary Examiner*—Antoine D. Davis

*Assistant Examiner*—Patricia Palasik

(74) *Attorney, Agent, or Firm*—SAIDMAN DesignLaw Group

(57) **CLAIM**

The ornamental design for a robot, as shown and described.

**DESCRIPTION**

FIG. 1 is a front perspective view of a robot showing my new design;

FIG. 2 is a front view thereof;

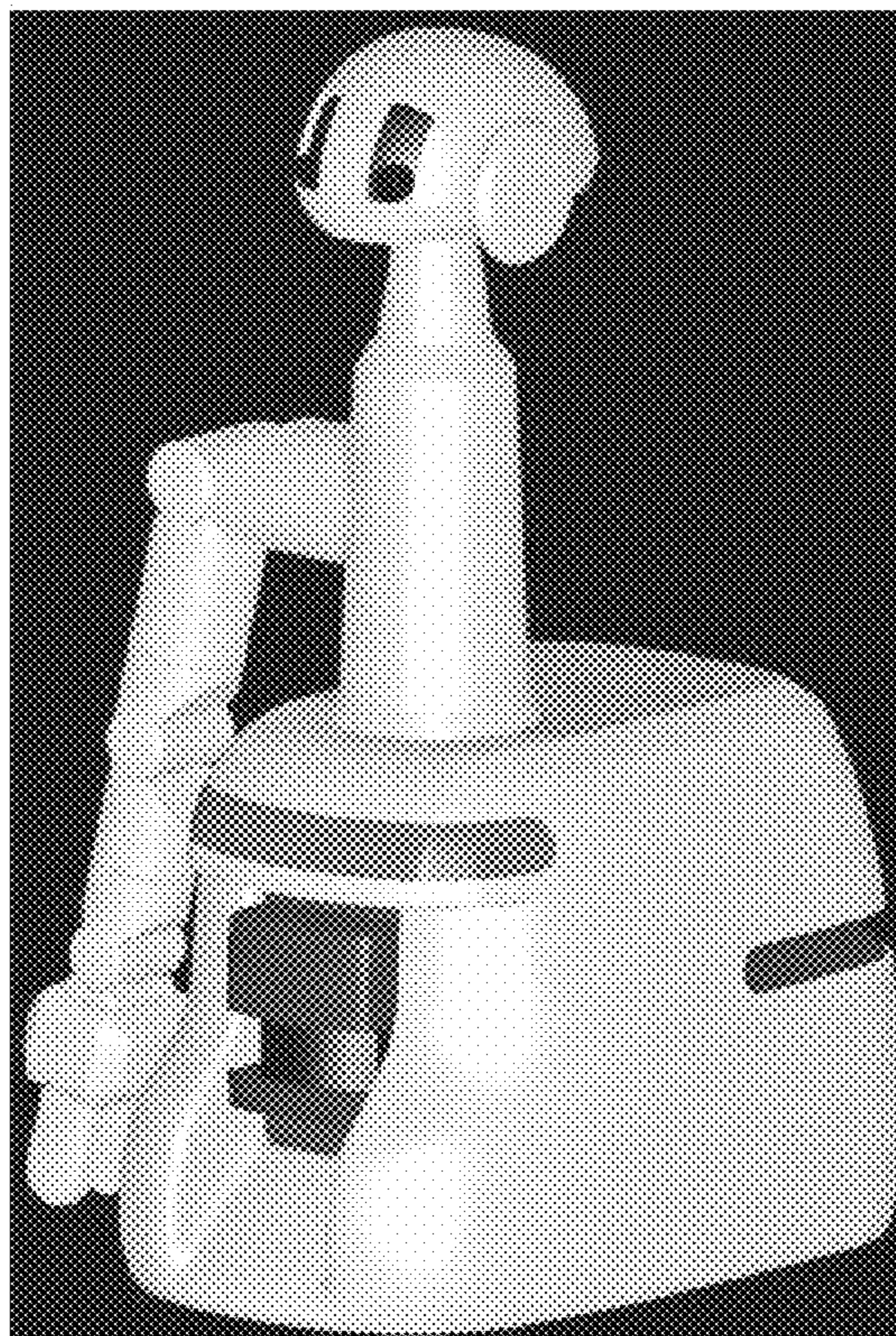
FIG. 3 is a rear view thereof;

FIG. 4 is a left-side view thereof;

FIG. 5 is a right-side view thereof; and,

FIG. 6 is a top view thereof.

**1 Claim, 2 Drawing Sheets**



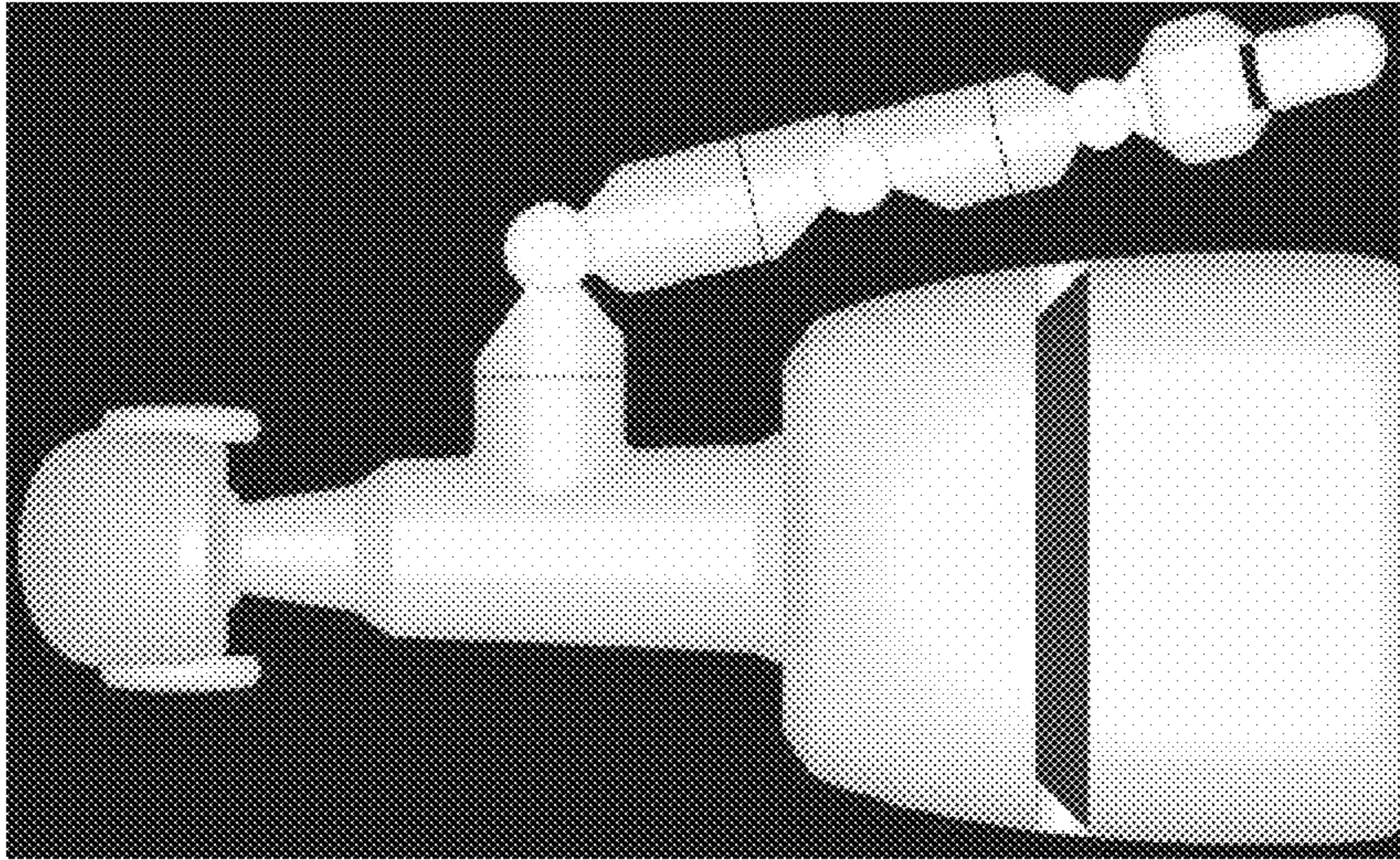


FIG. 3

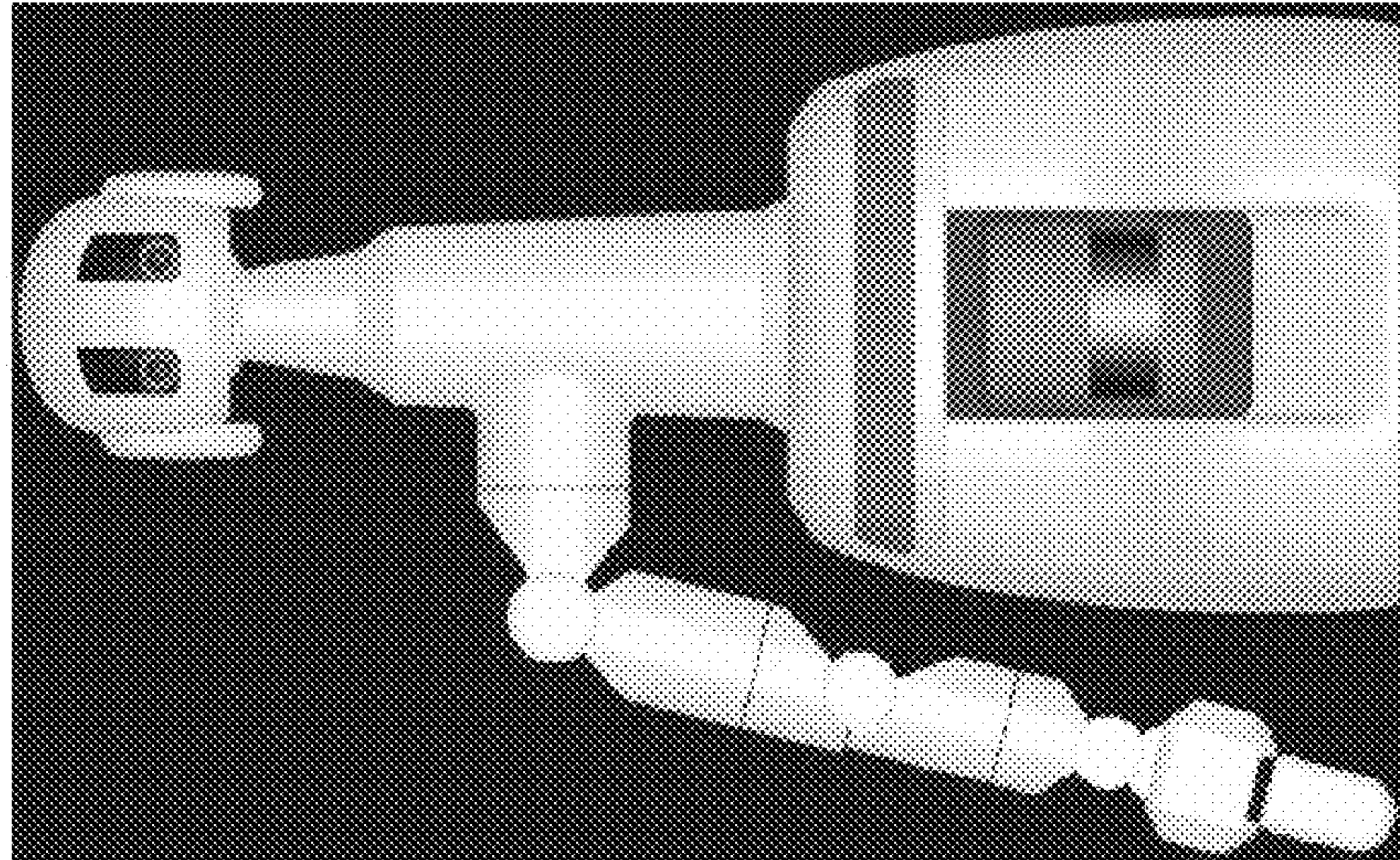


FIG. 2

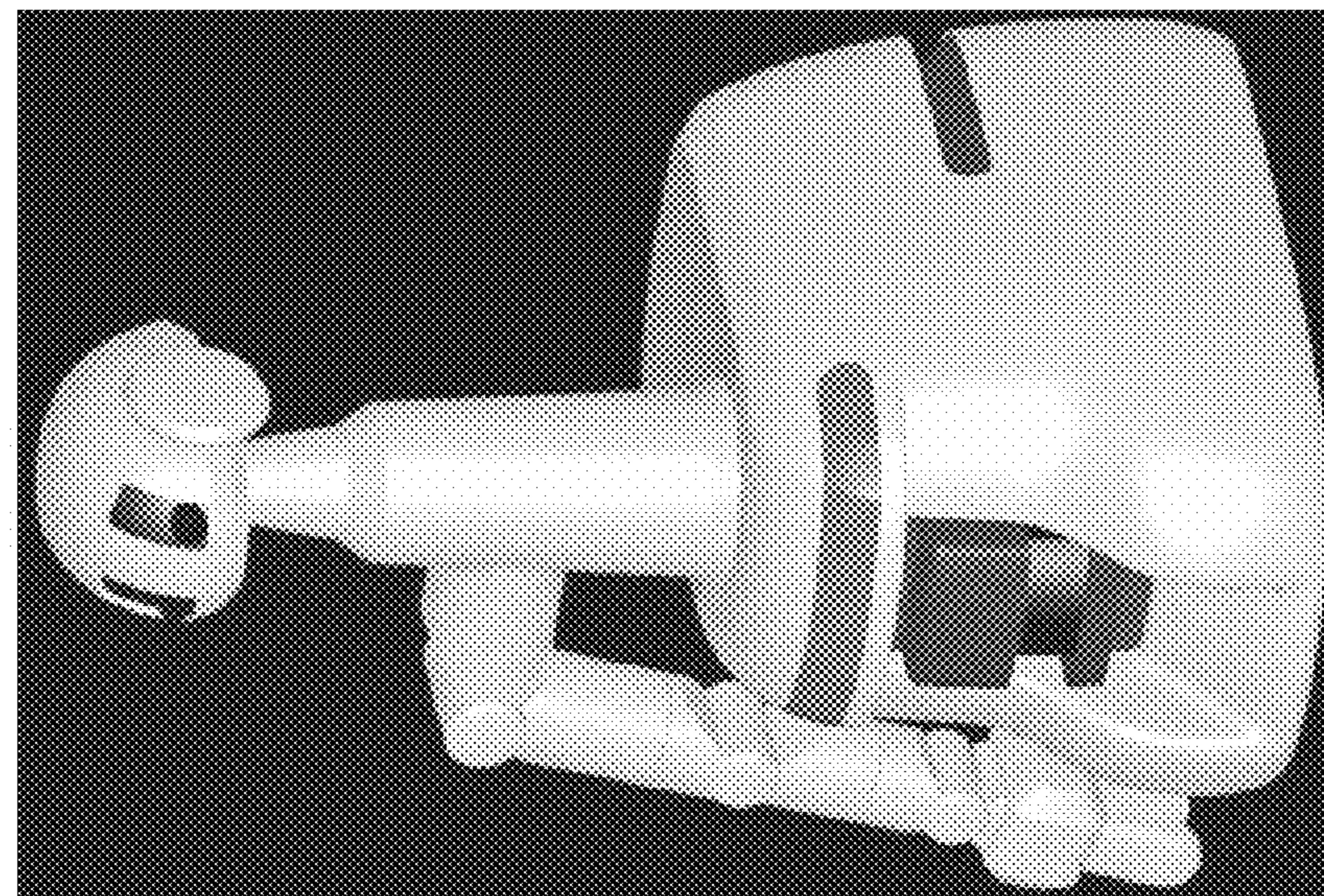


FIG. 1

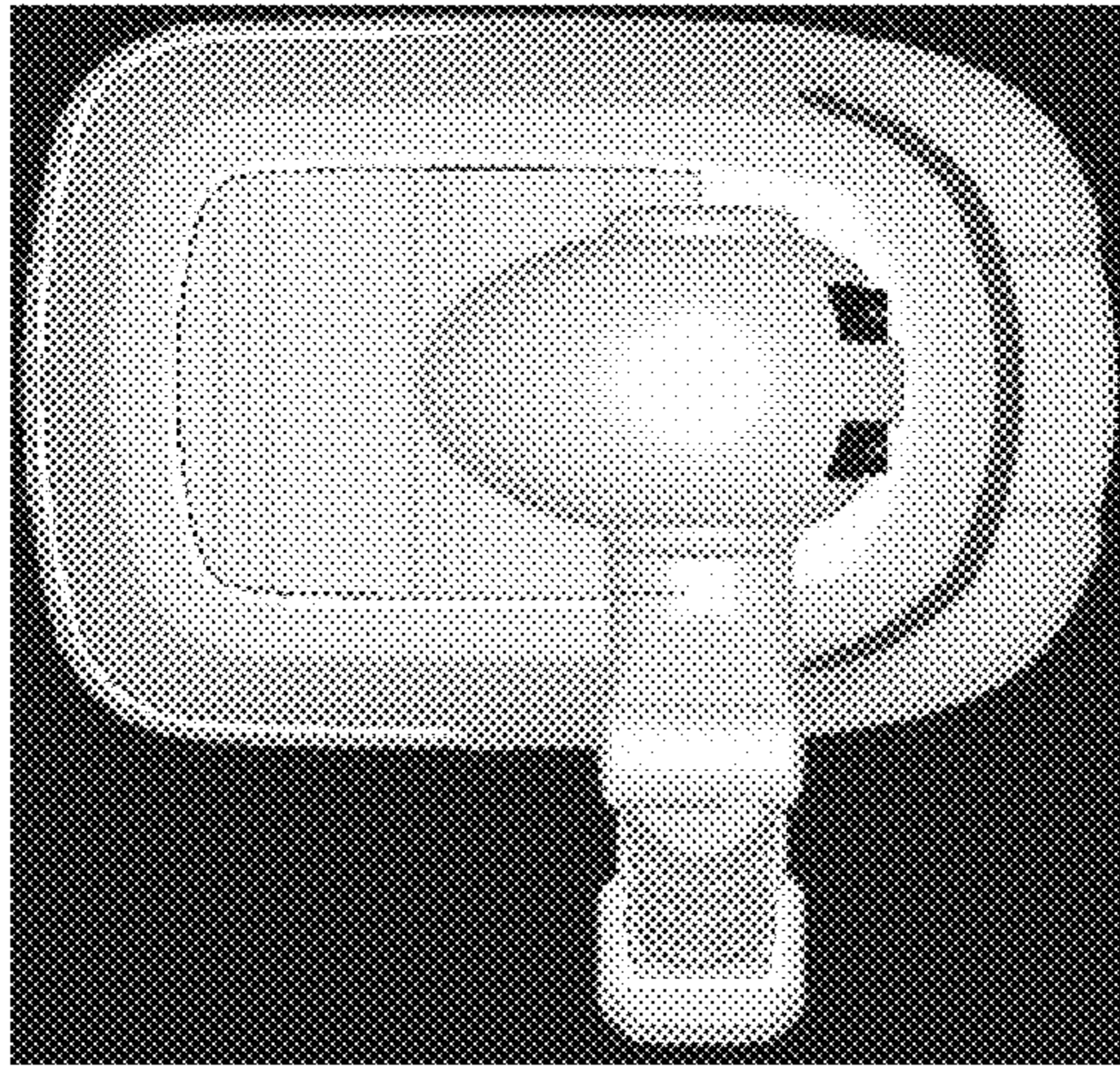


FIG. 6

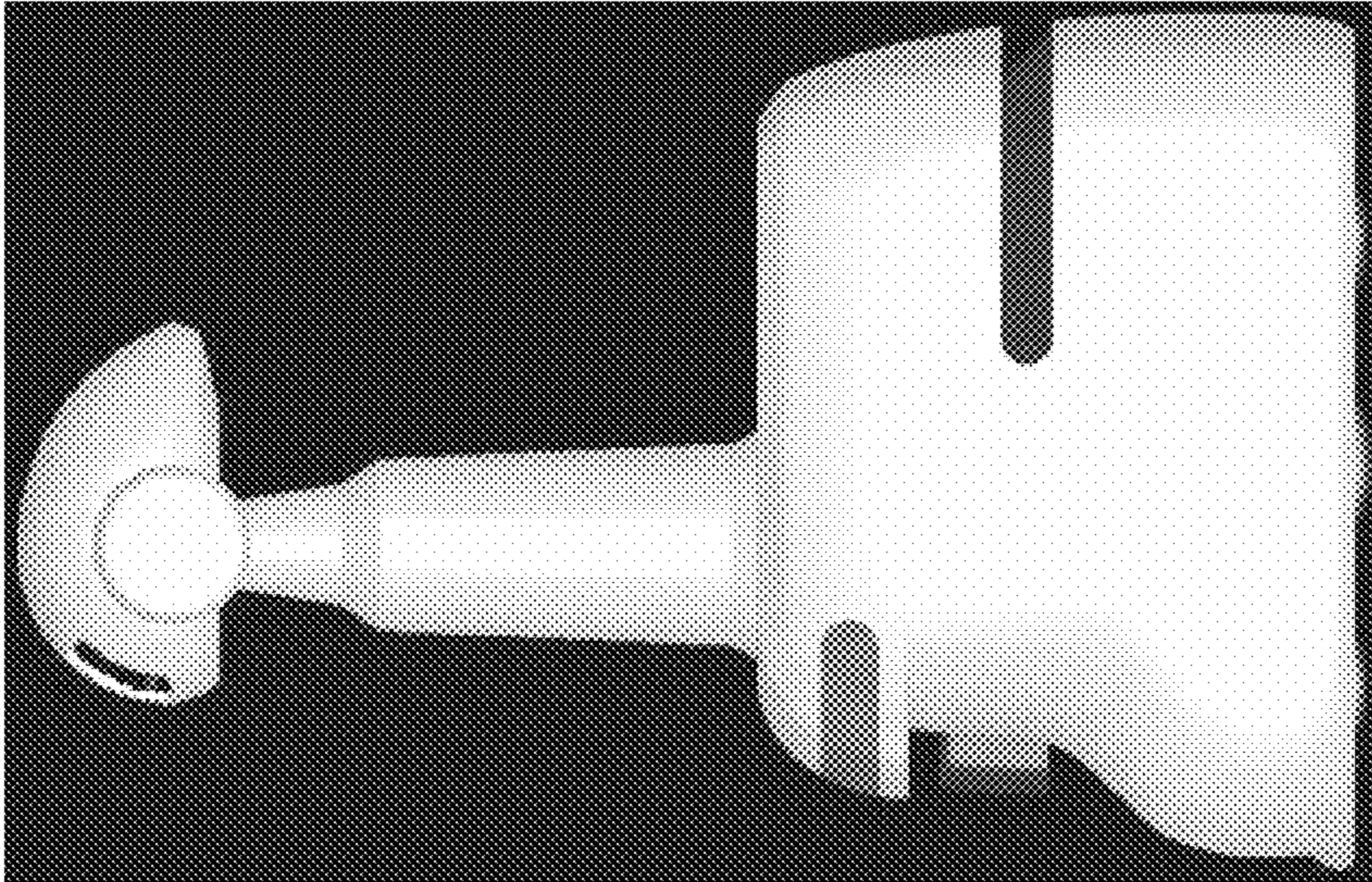


FIG. 5

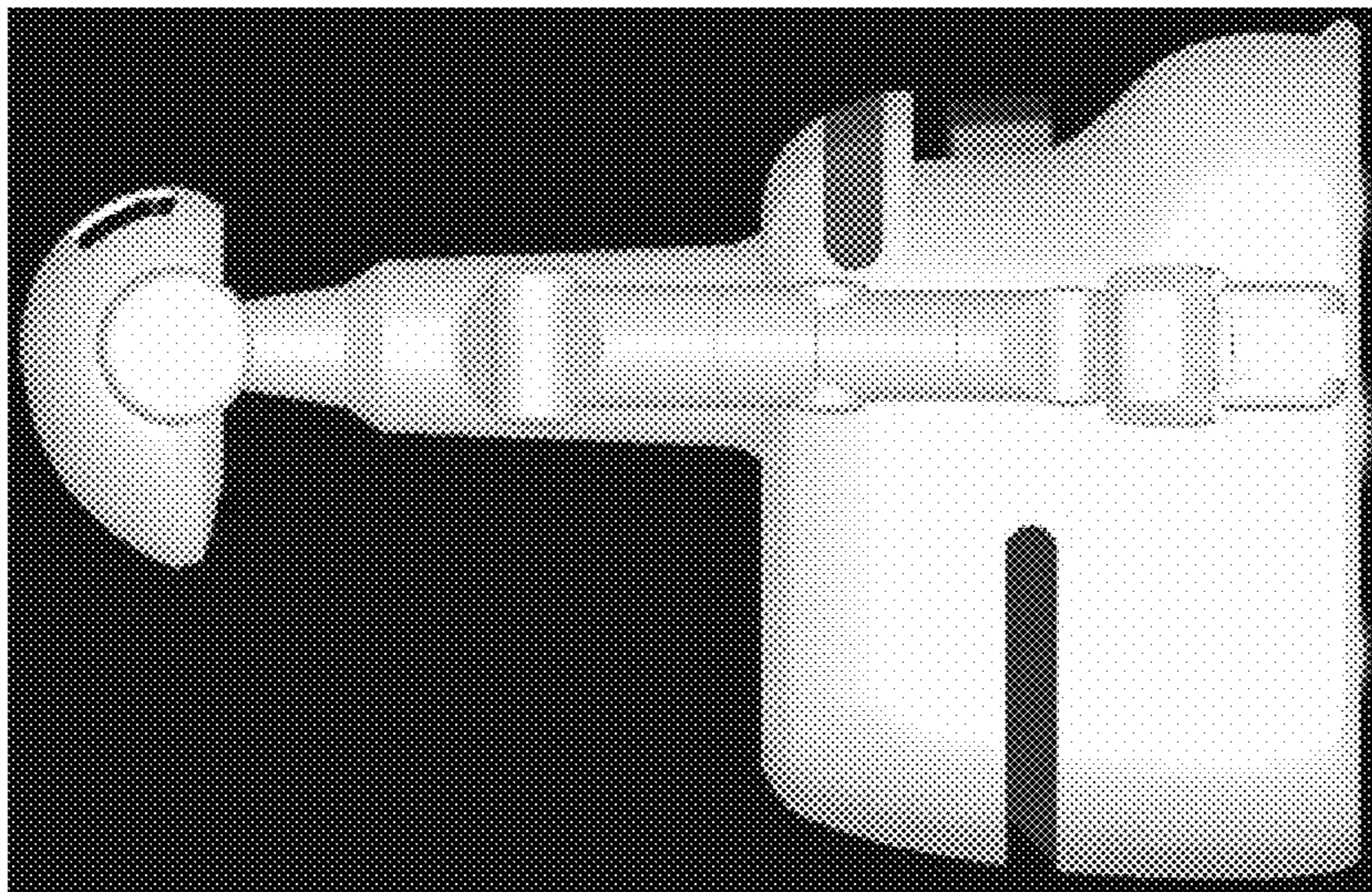


FIG. 4