



US00D566735S

(12) **United States Design Patent**  
**Wise**

(10) **Patent No.:** **US D566,735 S**  
(45) **Date of Patent:** **\*\* Apr. 15, 2008**

(54) **MITER SAW WORK BENCH**

(75) Inventor: **Robert W. Wise**, Petaluma, CA (US)

(73) Assignee: **Mikron Industries, Inc.**, Kent, WA (US)

(\*\*) Term: **14 Years**

(21) Appl. No.: **29/271,267**

(22) Filed: **Jan. 12, 2007**

(51) **LOC (8) Cl.** ..... **15-09**

(52) **U.S. Cl.** ..... **D15/141; D6/400**

(58) **Field of Classification Search** ..... D6/400,  
D6/429; D15/133, 141; D34/12; 83/425.2,  
83/435.11, 472, 471.1-471.3, 574; 108/12,  
108/80, 102, 132; 144/285, 286.1-286.5;  
280/30, 38, 47.24, 47.25, 47.27, 47.28, 47.33,  
280/639, 641, 651, 652

See application file for complete search history.

(56) **References Cited**

**U.S. PATENT DOCUMENTS**

3,147,748	A *	9/1964	Frank	.....	108/119
6,886,836	B1 *	5/2005	Wise	.....	280/30
D523,041	S *	6/2006	Wise	.....	D15/141
7,059,616	B2 *	6/2006	Wu	.....	280/47.24
D527,200	S *	8/2006	Wu	.....	D6/400
D535,491	S *	1/2007	Wise	.....	D6/400
7,255,355	B2 *	8/2007	Chisholm et al.	.....	280/30
2004/0070179	A1 *	4/2004	Miller et al.	.....	280/651
2005/0093258	A1 *	5/2005	Brazell et al.	.....	280/30

2005/0199768	A1 *	9/2005	Tam et al.	.....	248/129
2006/0038383	A1 *	2/2006	Wu	.....	280/652
2006/0076756	A1 *	4/2006	Wu	.....	280/652

\* cited by examiner

*Primary Examiner*—Antoine D. Davis

*Assistant Examiner*—Patricia Palasik

(74) *Attorney, Agent, or Firm*—Black Lowe & Graham PLLC

(57) **CLAIM**

The ornamental design for a miter saw work bench, as shown and described.

**DESCRIPTION**

FIG. 1 is a front right isometric view of my miter saw work bench.

FIG. 2 is a front elevational view of my miter saw work bench with roller extensions in a retracted position.

FIG. 3 is a rear elevational view of my miter saw work bench.

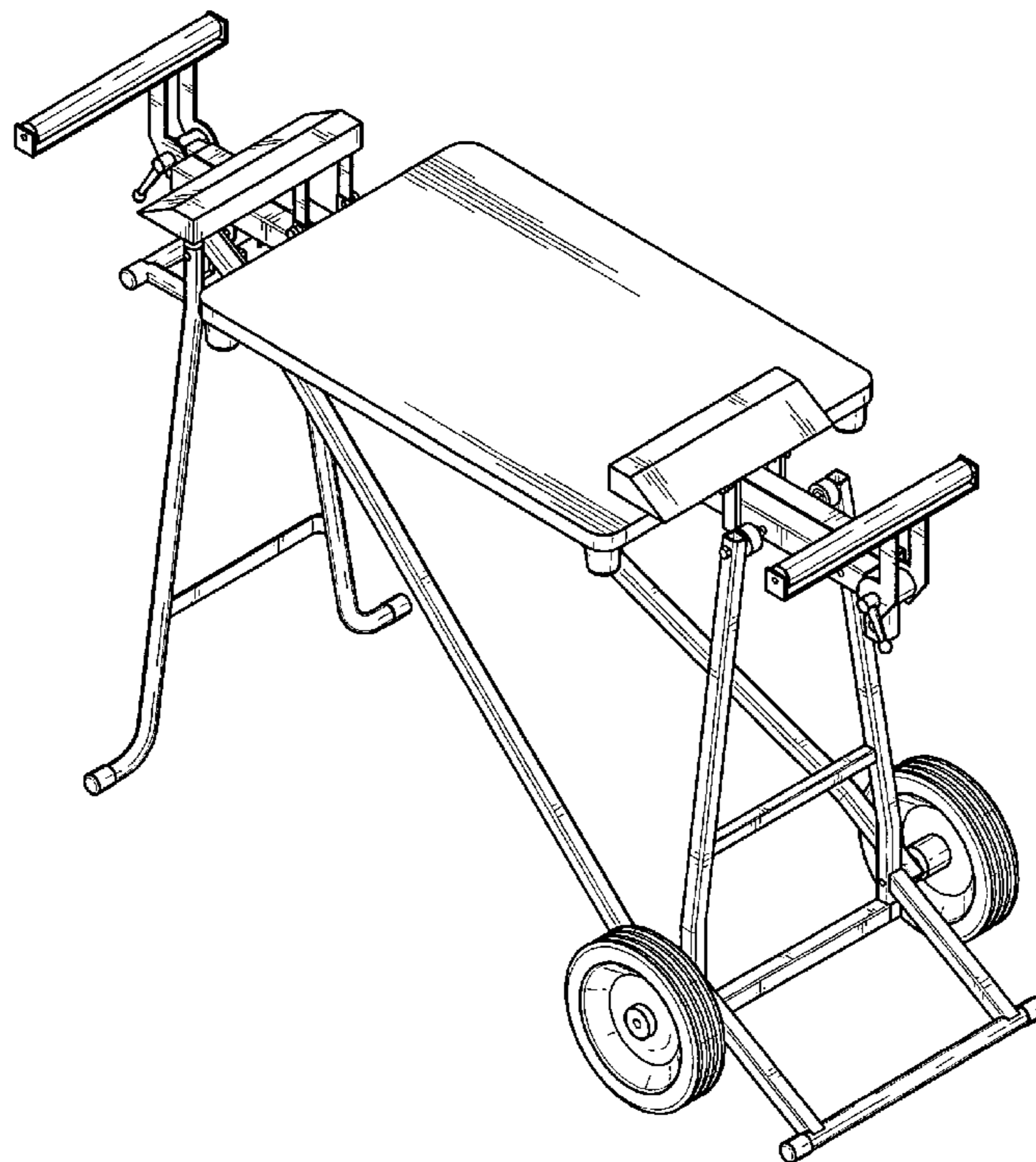
FIG. 4 is a left side elevational view of my miter saw work bench.

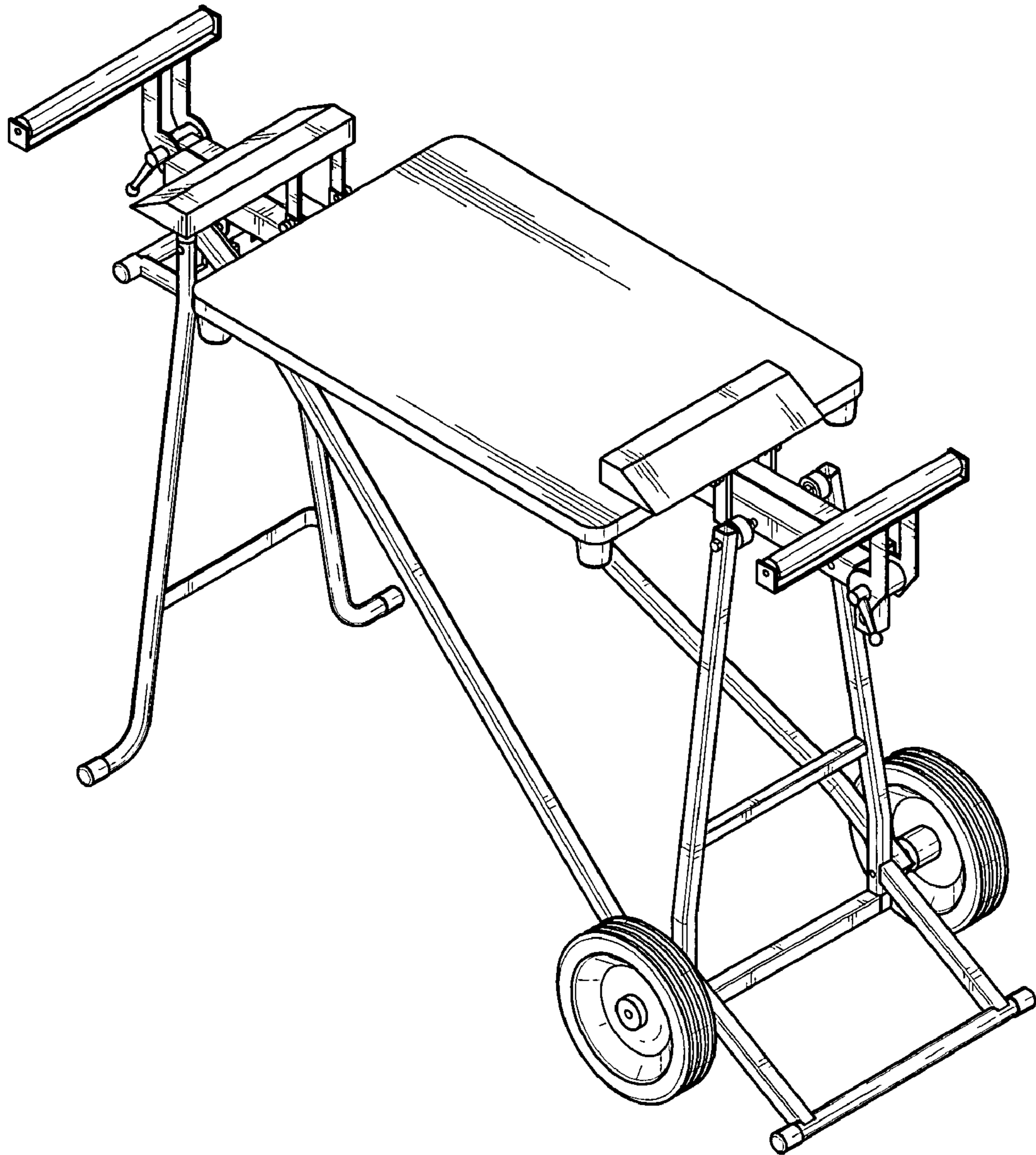
FIG. 5 is a right side elevational view of my miter saw work bench.

FIG. 6 is a top plan view of my miter saw work bench shown in a collapsed position; and,

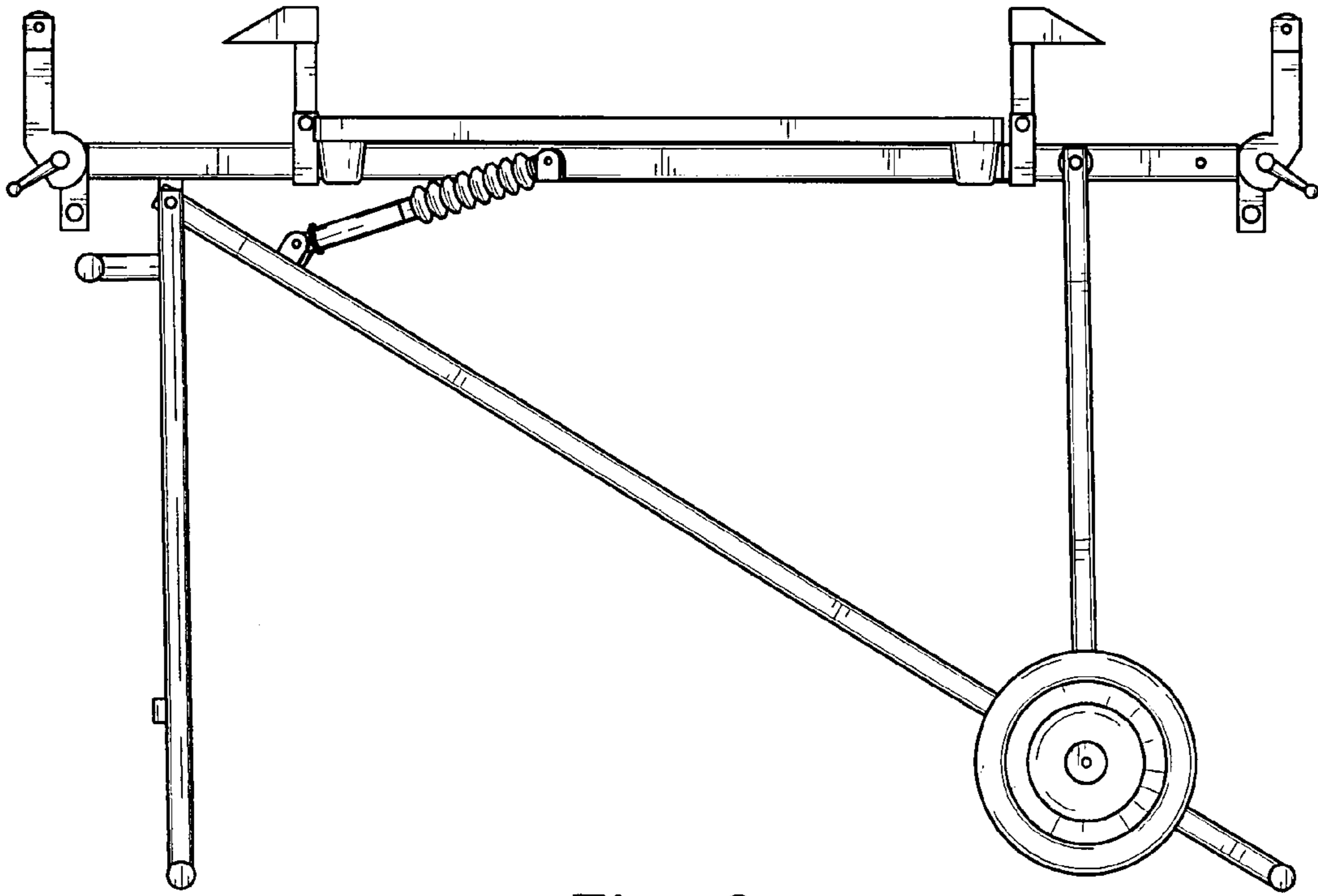
FIG. 7 is a bottom plan view of my miter saw work bench shown in a collapsed position.

**1 Claim, 4 Drawing Sheets**

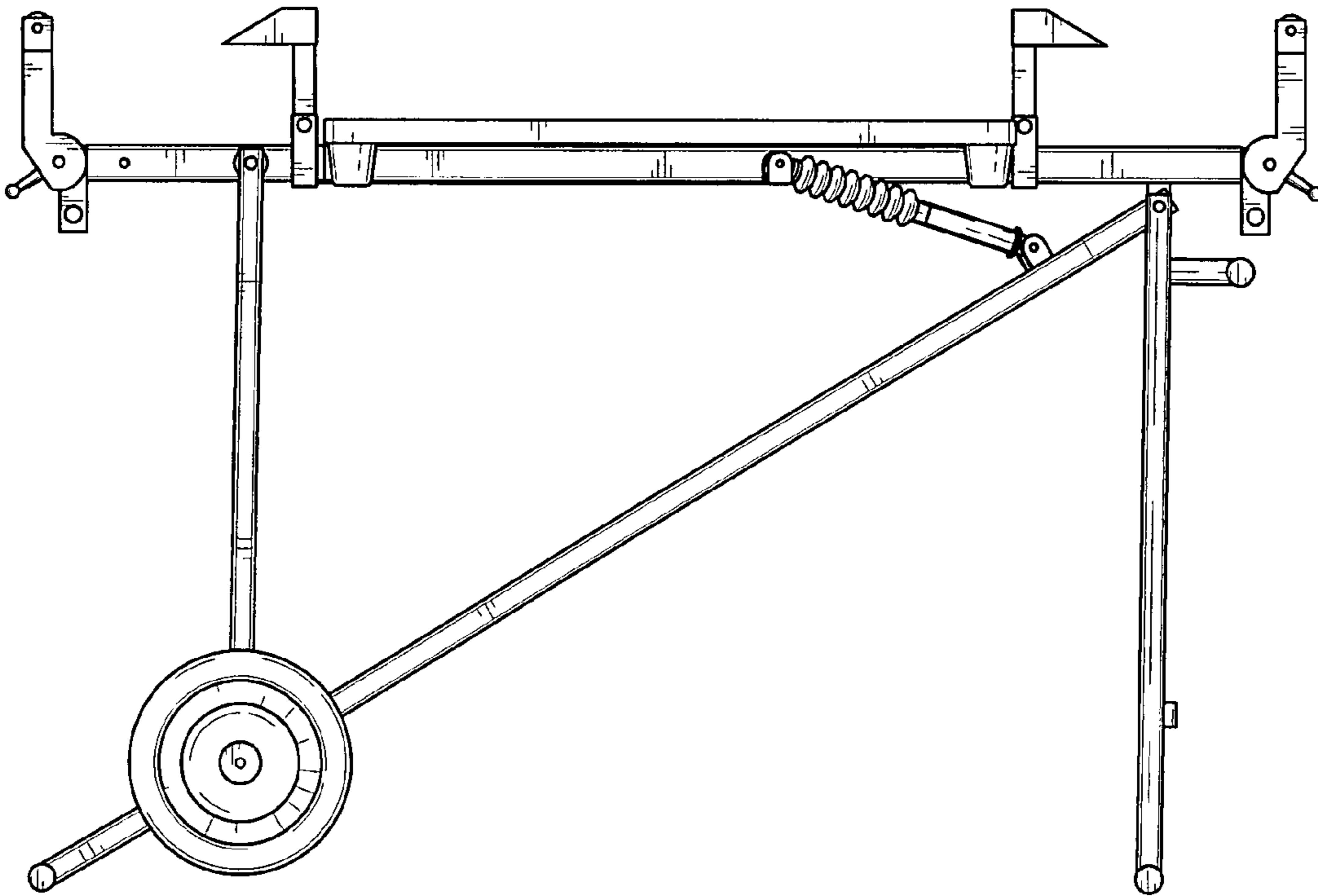




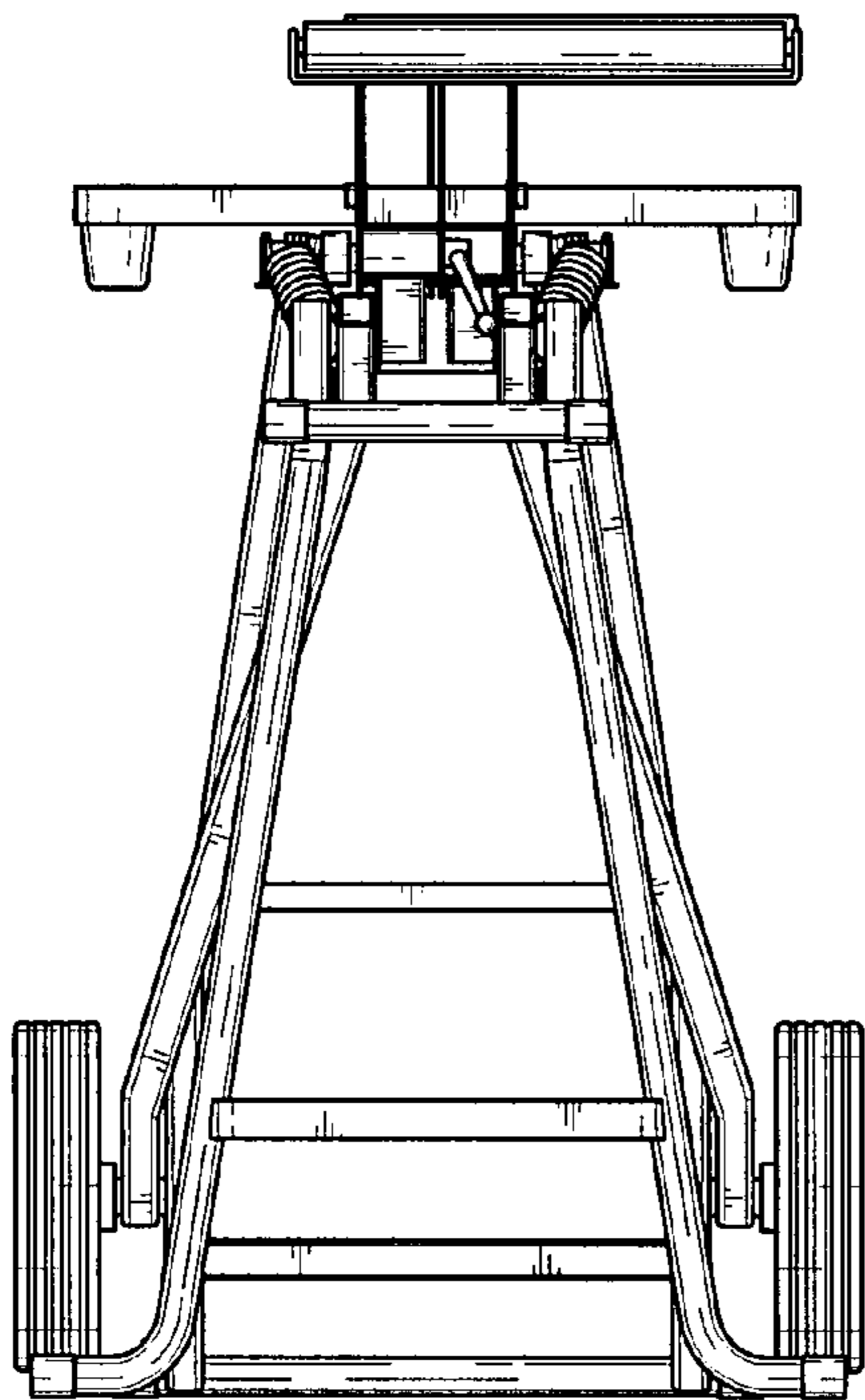
*Fig. 1*



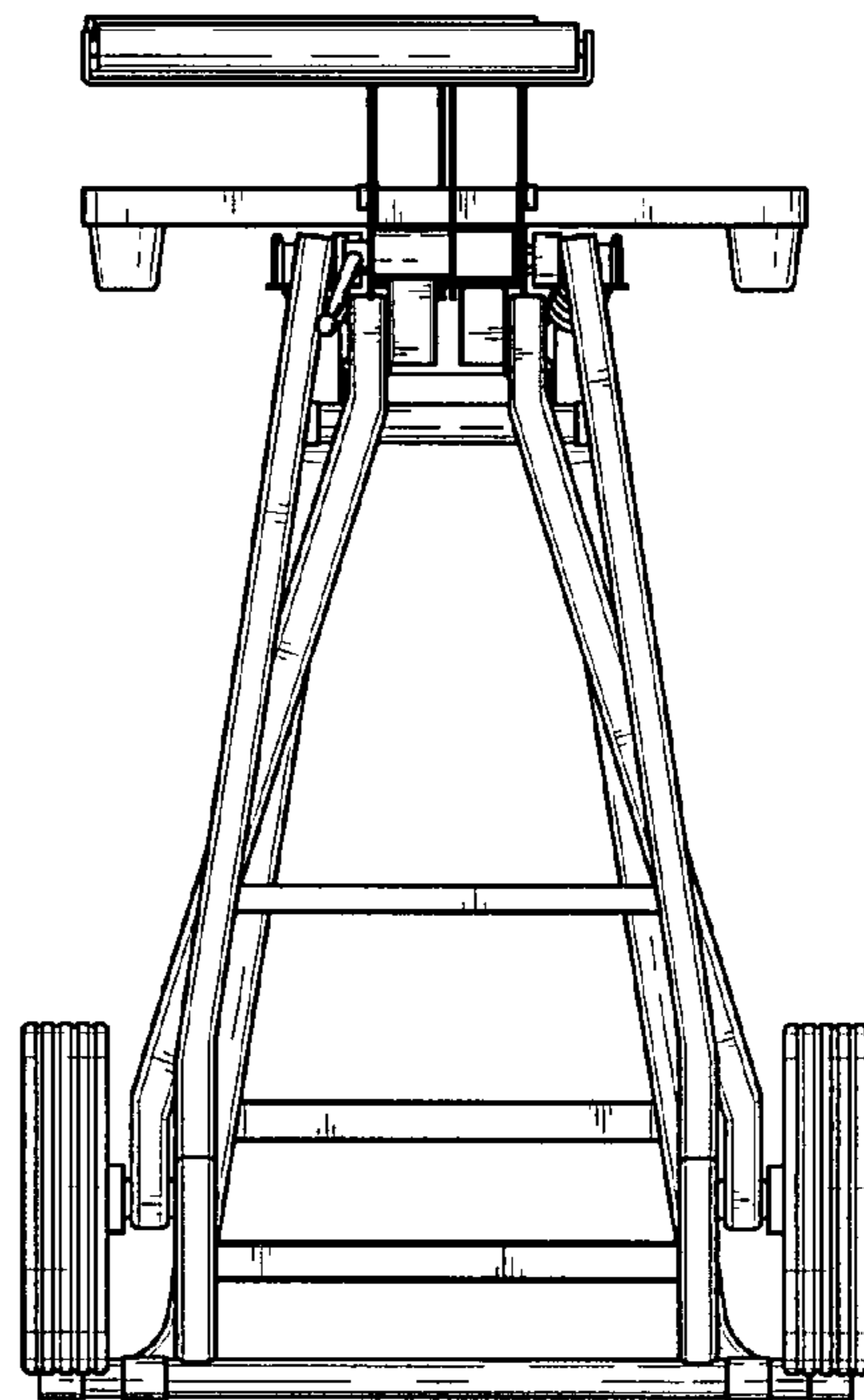
*Fig. 2*



*Fig. 3*

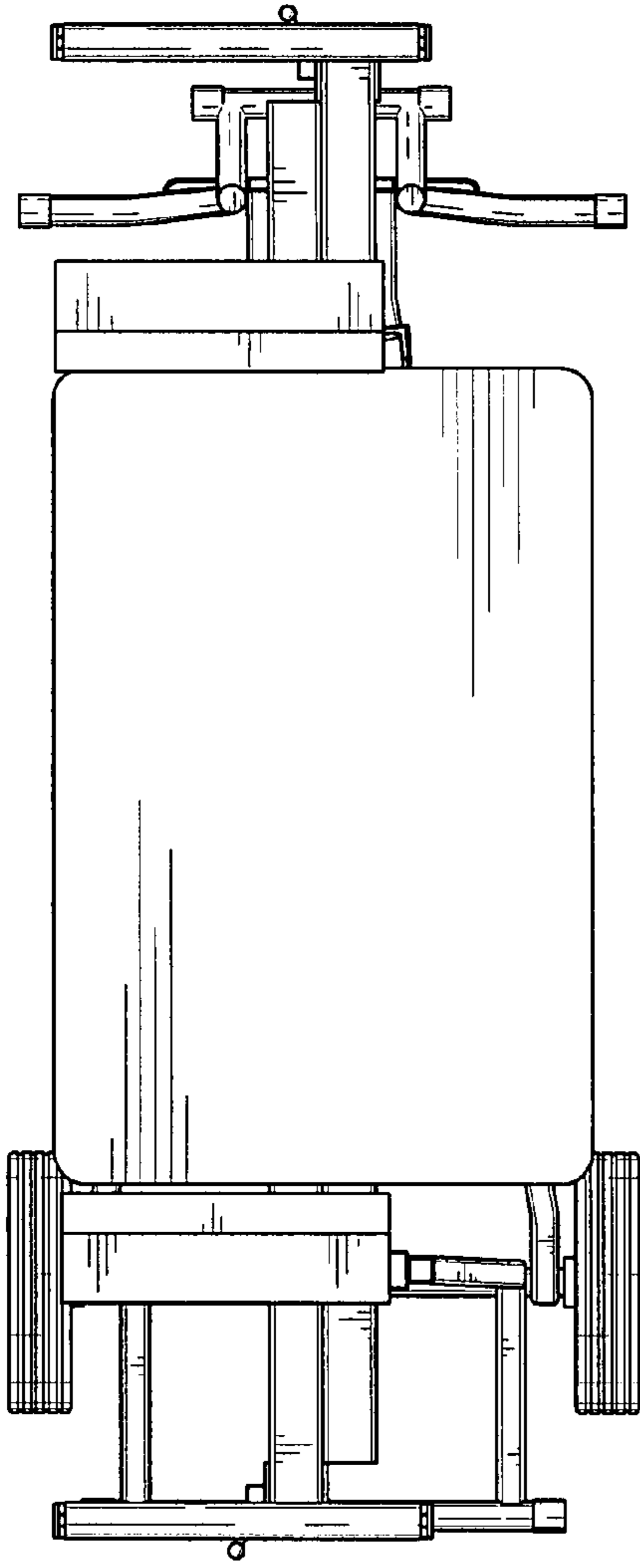


*Fig. 4*

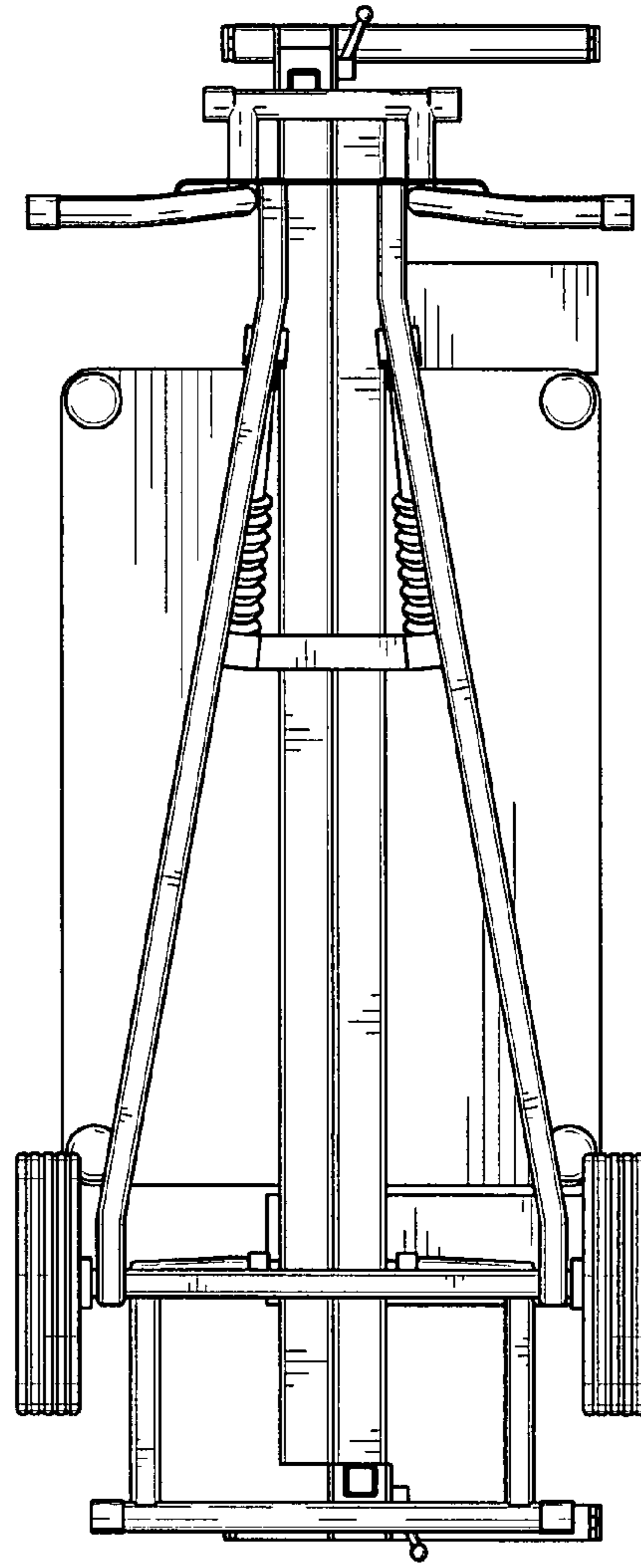


*Fig. 5*





*Fig. 6*



*Fig. 7*

UNITED STATES PATENT AND TRADEMARK OFFICE  
**CERTIFICATE OF CORRECTION**

PATENT NO. : Des. 566,735 S  
APPLICATION NO. : 29/271267  
DATED : April 15, 2008  
INVENTOR(S) : Robert W. Wise

Page 1 of 1

It is certified that error appears in the above-identified patent and that said Letters Patent is hereby corrected as shown below:

On the Title Page, Item (73), please delete the reference to an Assignee.  
This application is not assigned.

Signed and Sealed this

Sixteenth Day of December, 2008

A handwritten signature in black ink that reads "Jon W. Dudas". The signature is written in a cursive style with a large, looped initial "J".

JON W. DUDAS

*Director of the United States Patent and Trademark Office*