



US00D566733S

(12) **United States Design Patent**
Babcock

(10) **Patent No.:** **US D566,733 S**

(45) **Date of Patent:** **** Apr. 15, 2008**

(54) **LOG STRIPPER**

(75) Inventor: **Stephen E. Babcock**, Lakeville, MN
(US)

(73) Assignee: **Northern Tool & Equipment
Company, Inc.**, Burnsville, MN (US)

(**) Term: **14 Years**

(21) Appl. No.: **29/263,398**

(22) Filed: **Jul. 21, 2006**

(51) **LOC (8) Cl.** **15-09**

(52) **U.S. Cl.** **D15/138; D15/127**

(58) **Field of Classification Search** D8/1,
D8/47; D15/10, 127, 138, 139; 83/111;
144/4.6, 193.1, 193 A, 193 D, 193 E, 193 R,
144/195.1, 366

See application file for complete search history.

(56) **References Cited**

U.S. PATENT DOCUMENTS

3,285,304 A	11/1966	Fuller	144/193.1
3,779,295 A	12/1973	Balsbaugh	144/195.1
3,974,867 A	8/1976	Butas, Jr.	144/195.1
D255,686 S *	7/1980	Duppong et al.	D15/139
4,275,779 A	6/1981	Rowe	144/195.1
D261,143 S *	10/1981	Green	D15/127
4,337,809 A *	7/1982	Bertolette et al.	144/195.1
4,374,532 A *	2/1983	Region	144/195.1
4,412,570 A	11/1983	Nickerson	144/195.1
4,445,556 A *	5/1984	Williams	144/193.1
4,453,580 A	6/1984	Patten	144/195.1
4,467,851 A *	8/1984	Hockman	144/193.1
4,479,524 A *	10/1984	Vosika	144/366
4,561,479 A	12/1985	Burdine	144/195.2

D287,020 S *	12/1986	Falk	D15/138
4,667,712 A	5/1987	Hudson et al.	144/195.1
4,700,769 A	10/1987	Duerr	144/195.1
4,782,870 A	11/1988	Duerr	144/195.1
4,793,391 A *	12/1988	Mauer	144/195.1
4,961,452 A	10/1990	Hudson	144/195.1
5,337,810 A	8/1994	McCormack	144/195.1
5,526,855 A	6/1996	Graham	144/195.1
6,763,864 B2 *	7/2004	Setlack et al.	144/195.1
7,255,143 B1 *	8/2007	Babcock et al.	144/195.1
D552,133 S *	10/2007	Babcock et al.	D15/127

* cited by examiner

Primary Examiner—Antoine D. Davis

Assistant Examiner—Patricia Palasik

(74) *Attorney, Agent, or Firm*—Oppenheimer Wolff &
Donnelly LLP

(57) **CLAIM**

The ornamental design for a log stripper, substantially as
shown and described.

DESCRIPTION

FIG. 1 is a perspective view of the log stripper utilized in
automated log splitting applications with the attachment
housing shown in dotted line format for context.

FIG. 2 is a front view of the log stripper.

FIG. 3 is a back view of the log stripper.

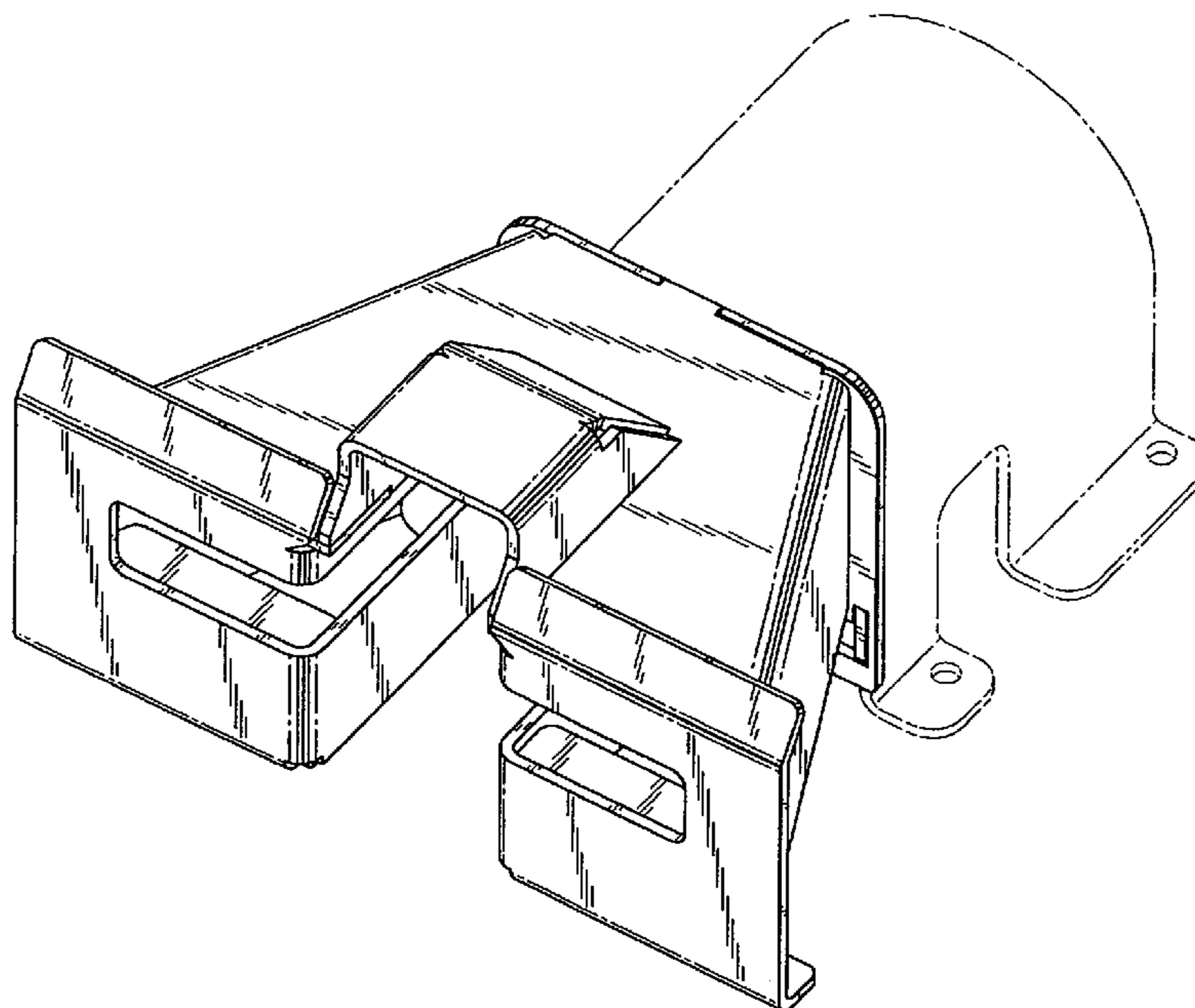
FIG. 4 is a top view of the log stripper.

FIG. 5 is a bottom view of the log stripper.

FIG. 6 is a first side view of the log stripper; and,

FIG. 7 is a second side view of the log stripper.

1 Claim, 5 Drawing Sheets



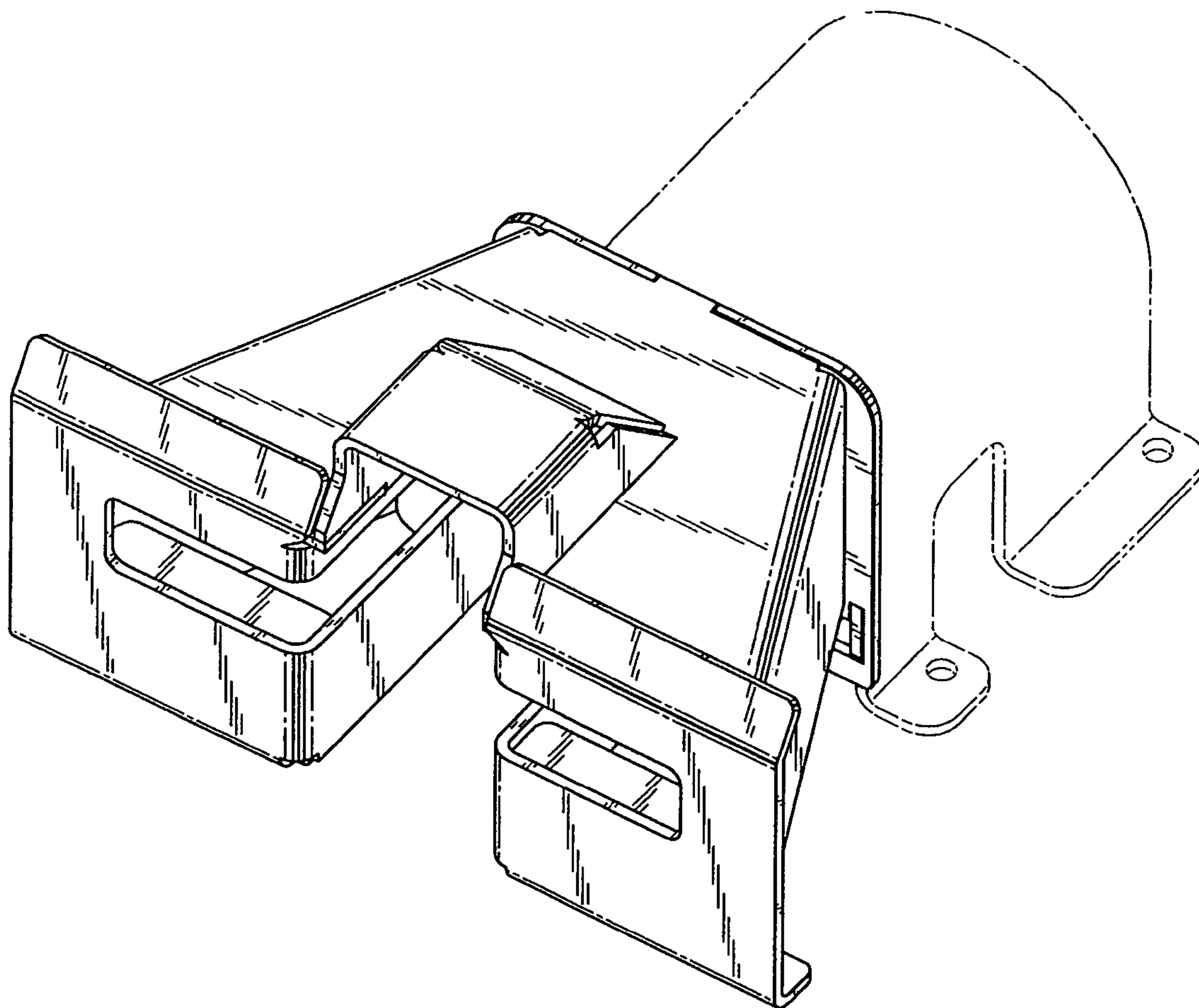


Fig. 1

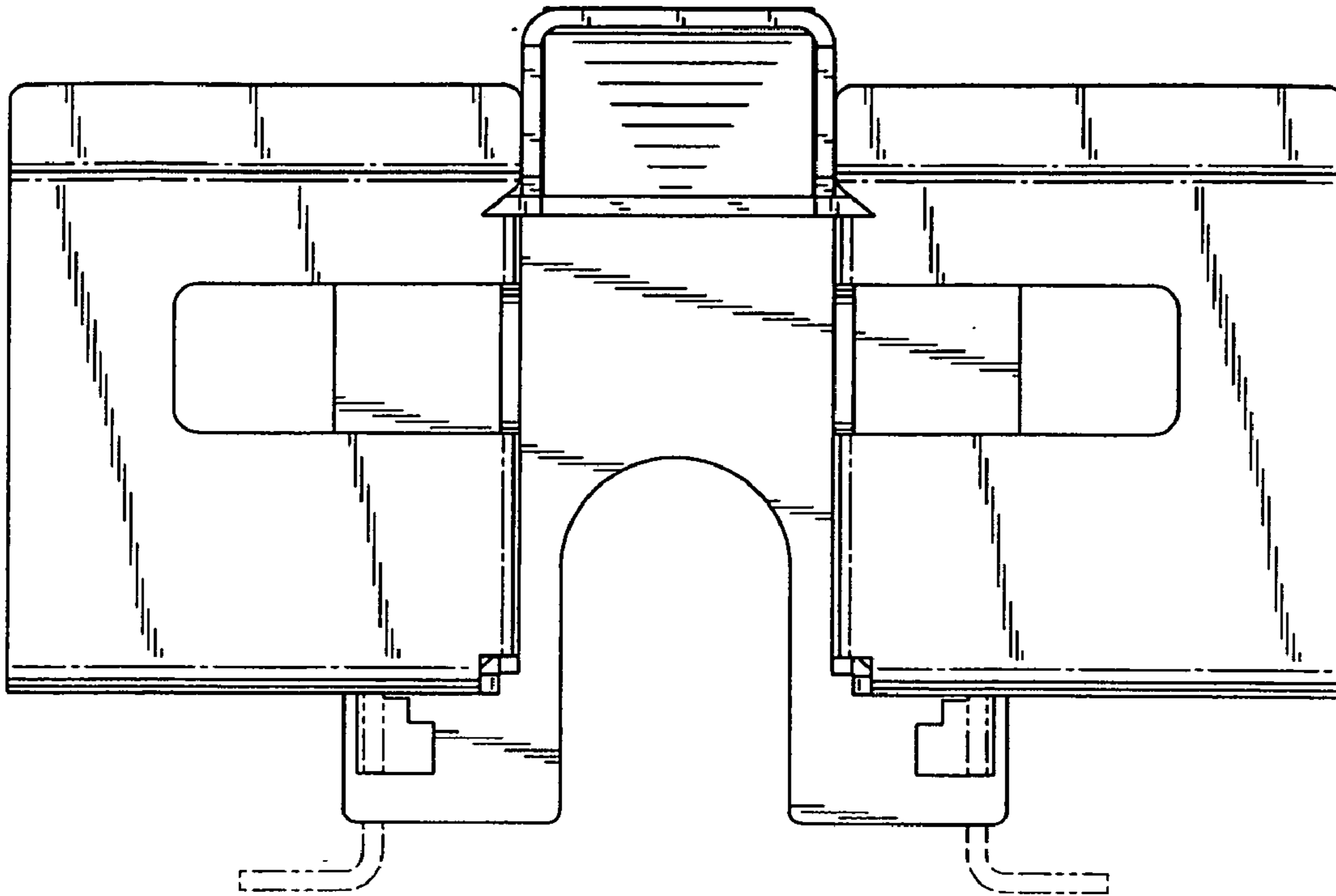


Fig. 2

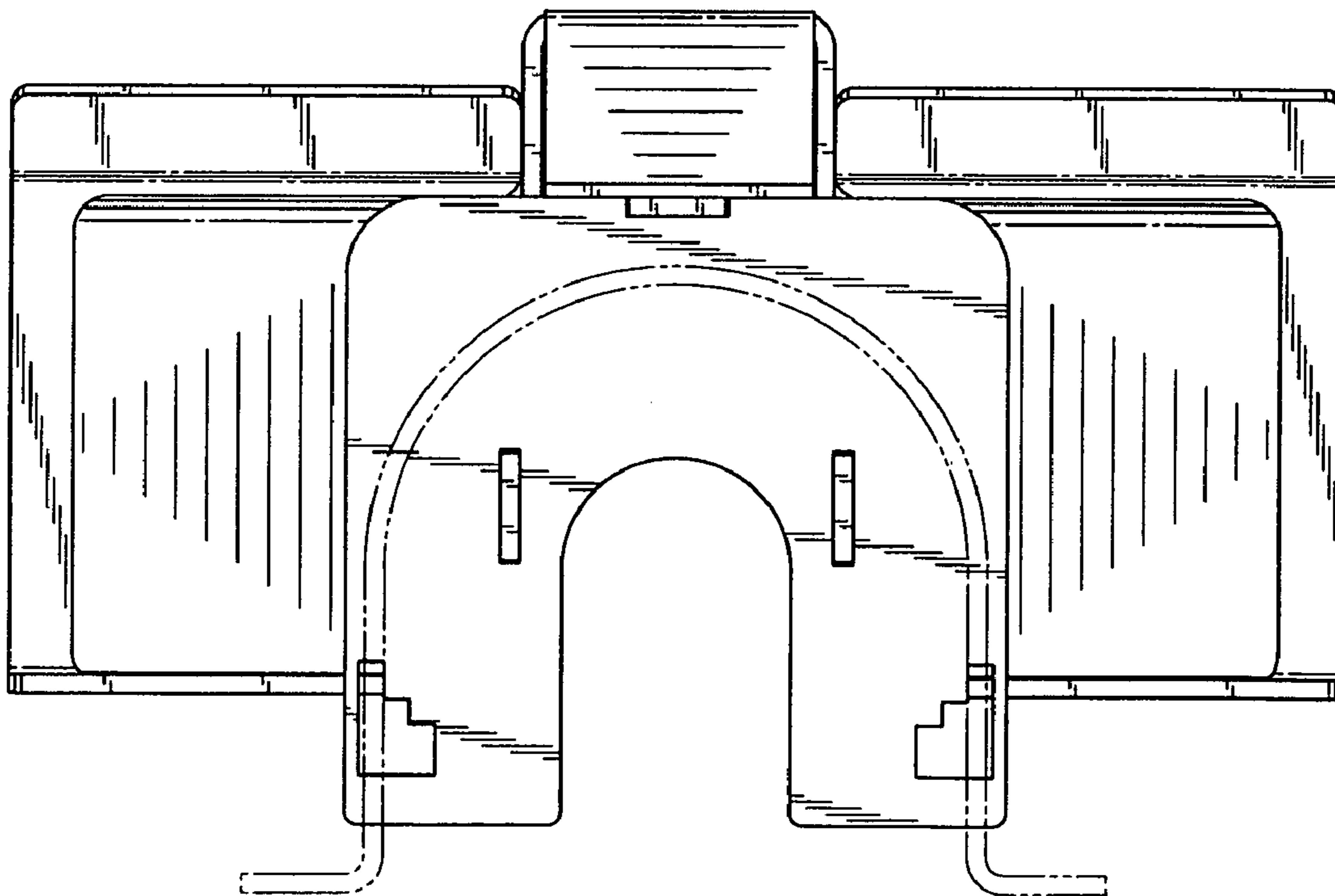


Fig. 3

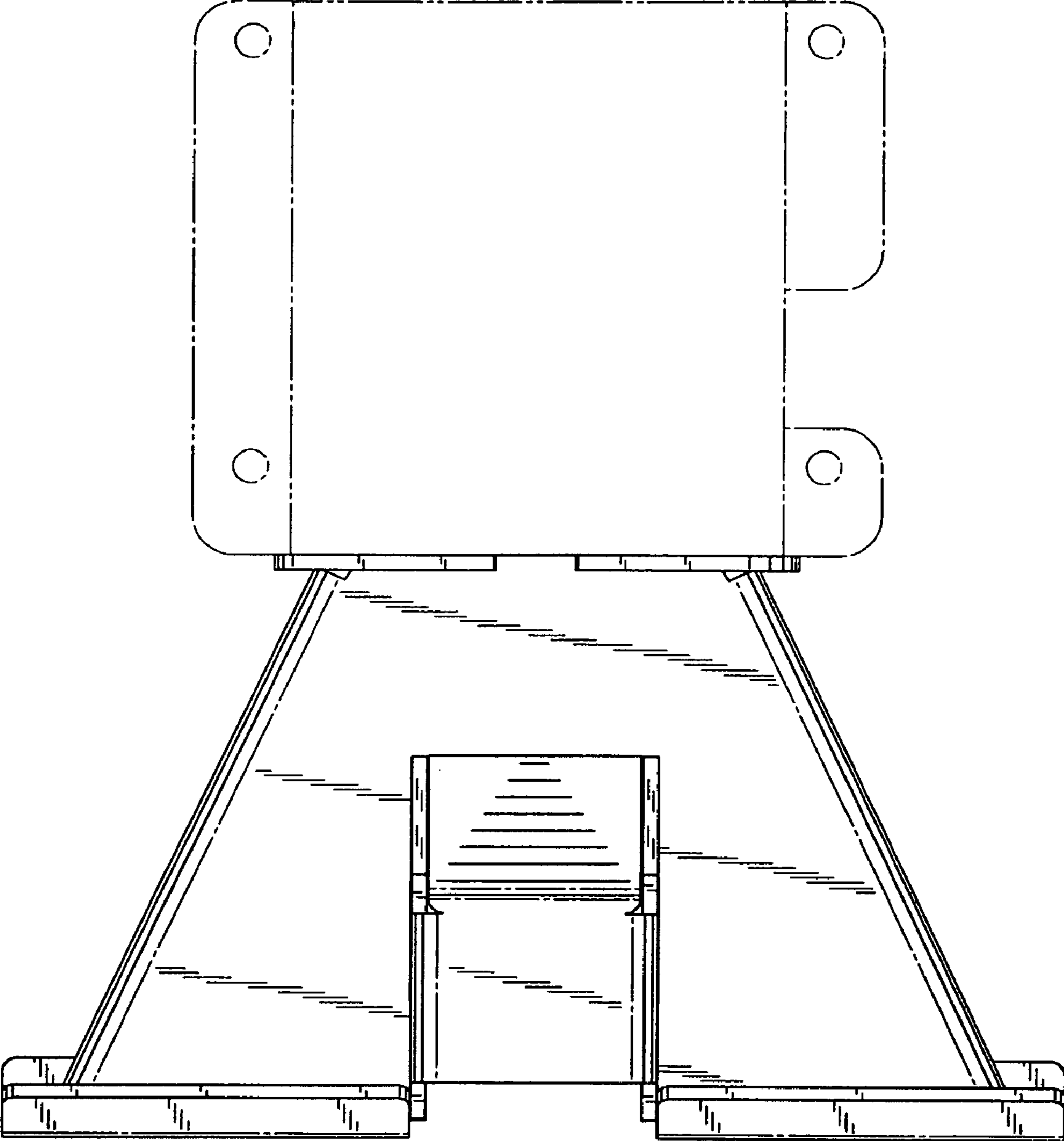


Fig. 4

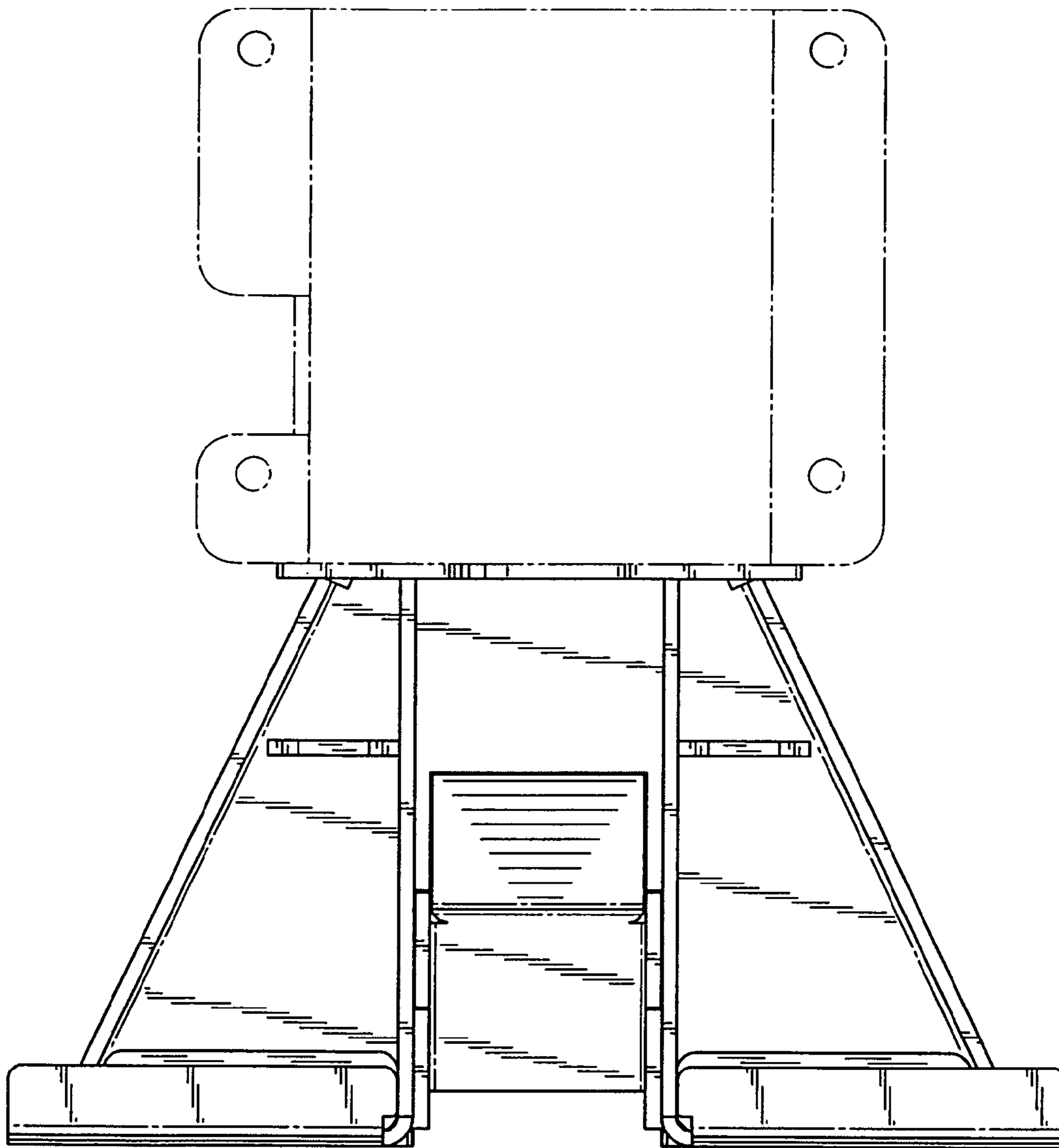


Fig. 5

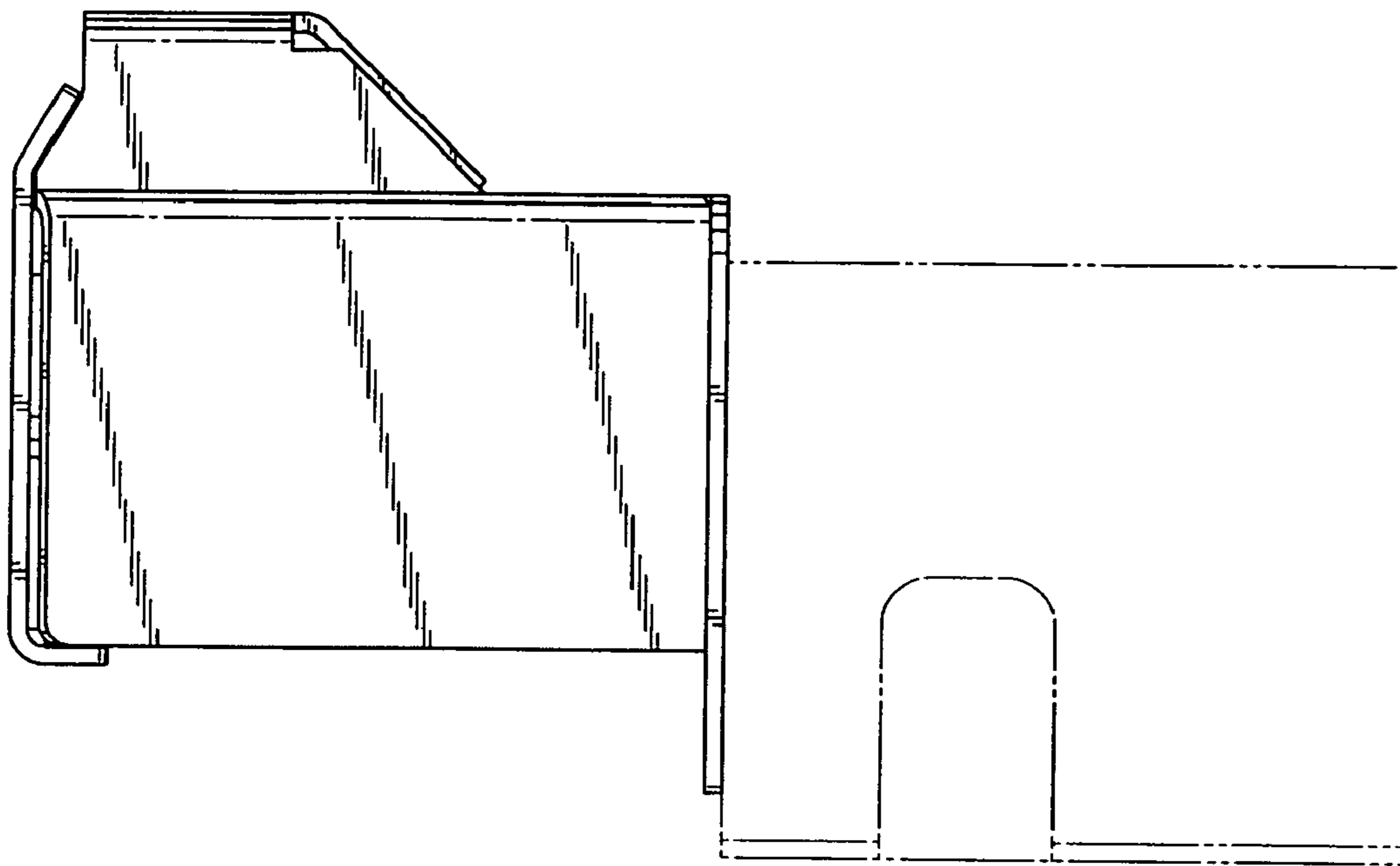


Fig. 6

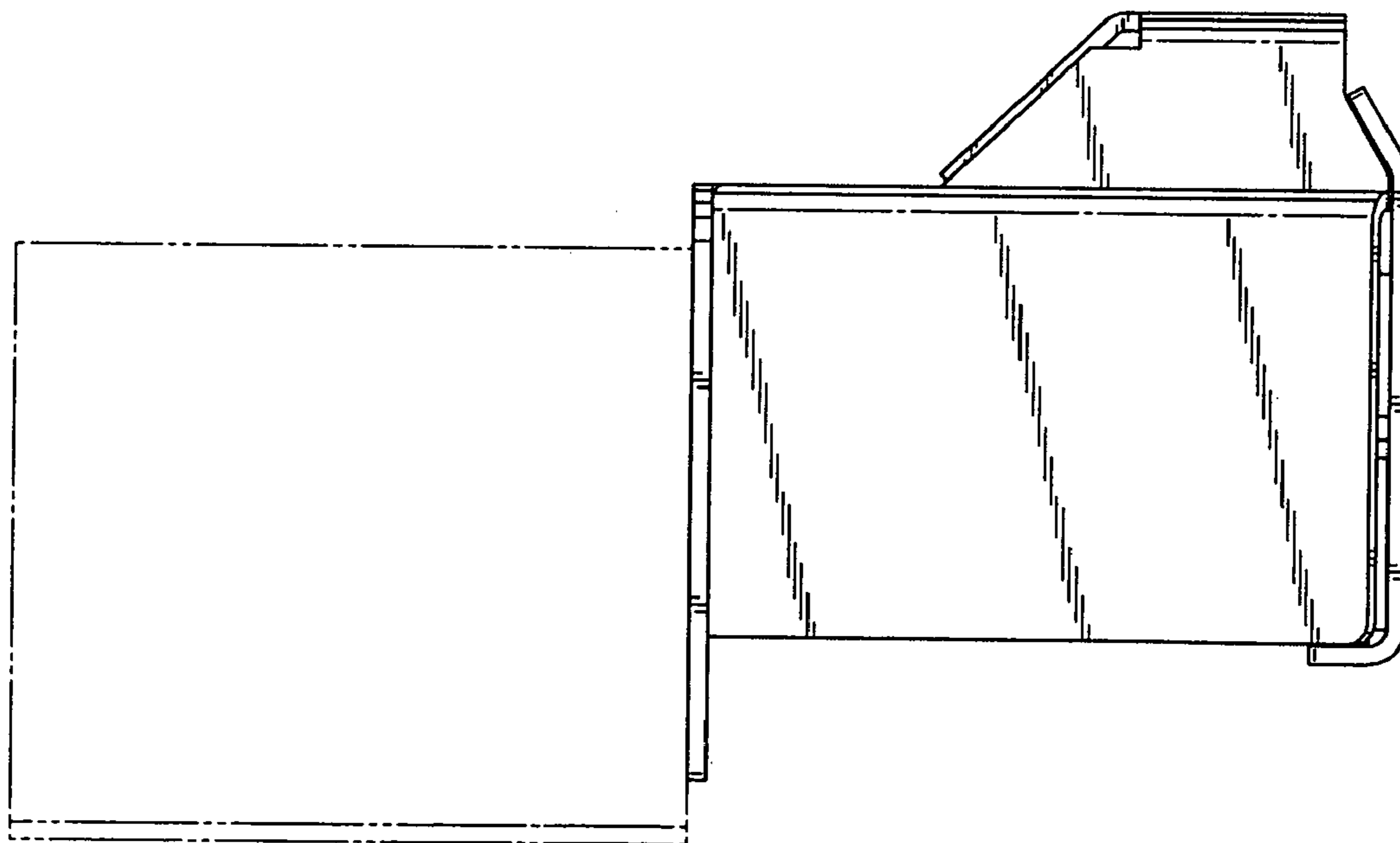


Fig. 7