



US00D566728S

(12) **United States Design Patent**  
**Kaneko et al.**

(10) **Patent No.:** **US D566,728 S**  
(45) **Date of Patent:** **\*\* Apr. 15, 2008**

(54) **PORTION OF A MEDIA PLAYER**  
(75) Inventors: **Steven T. Kaneko**, Medina, WA (US);  
**John Ikeda**, Seattle, WA (US); **Carl J. Ledbetter**, Mercer Island, WA (US);  
**Jared Randall**, Seattle, WA (US)

7,046,230 B2 \* 5/2006 Zadesky et al. .... 345/156  
D533,566 S \* 12/2006 Lee ..... D14/496  
D540,346 S \* 4/2007 Jaakkola ..... D14/496  
D546,345 S \* 7/2007 Kim et al. .... D14/496  
7,258,449 B2 \* 8/2007 Chong et al. .... 353/85  
D553,640 S \* 10/2007 Kimura et al. .... D14/496

(73) Assignee: **Microsoft Corporation**, Redmond, WA (US)

**FOREIGN PATENT DOCUMENTS**

JP D1250015 7/2005

(\*\*) Term: **14 Years**

**OTHER PUBLICATIONS**

Apple Corporation, iPod images, 1 color sheet, dated 2006 (or as listed by model).

(21) Appl. No.: **29/247,967**

\* cited by examiner

(22) Filed: **Jul. 21, 2006**

*Primary Examiner*—Prabhakar Deshmukh

**Related U.S. Application Data**

(74) *Attorney, Agent, or Firm*—Banner & Witcoff, Ltd.

(63) Continuation-in-part of application No. 29/247,799, filed on Jul. 12, 2006.

(57) **CLAIM**

(51) **LOC (8) Cl.** ..... **14-03**

The ornamental design for a portion of a media player, as shown and described.

(52) **U.S. Cl.** ..... **D14/496**

(58) **Field of Classification Search** ..... D14/496,  
D14/401, 435, 474, 483, 217, 137, 138, 160,  
D14/168; 345/156, 169, 173–179, 905; 715/727–729,  
715/864; 455/11.1, 7, 73, 344–347, 93, 95;  
370/342–344; 369/1, 2, 6, 12; 463/43–47;  
273/148 B

**DESCRIPTION**

See application file for complete search history.

FIG. 1 is a front isometric view of a portion of a media player showing our new design;

FIG. 2 is a front elevational view thereof;

FIG. 3 is a rear elevational view thereof;

FIG. 4 is a left side elevational view thereof;

FIG. 5 is a right side elevational view thereof;

FIG. 6 is a top plan view thereof; and,

FIG. 7 is a bottom plan view thereof.

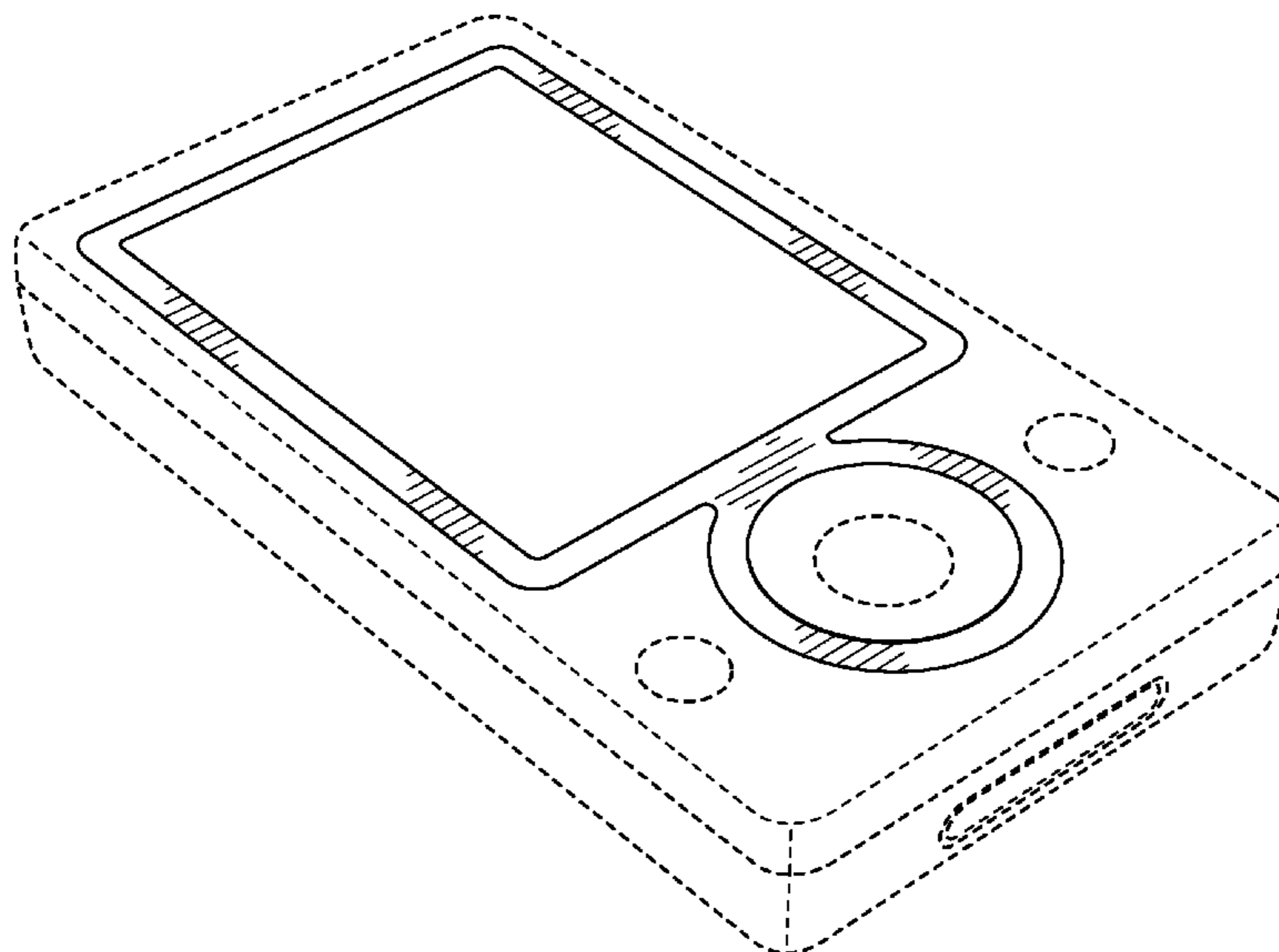
(56) **References Cited**

**U.S. PATENT DOCUMENTS**

6,122,526 A \* 9/2000 Parulski et al. .... 455/556.1  
D436,349 S \* 1/2001 Kim ..... D14/156  
D451,488 S \* 12/2001 Foster ..... D14/156  
D452,226 S \* 12/2001 Simpson et al. .... D14/167  
D487,898 S \* 3/2004 Cobigo ..... D14/496  
D494,188 S \* 8/2004 Huang ..... D14/496

The broken line showing of various regions in the Figures, including the unshaded areas therein, is for illustrative purposes only and forms no part of the claimed design.

**1 Claim, 5 Drawing Sheets**



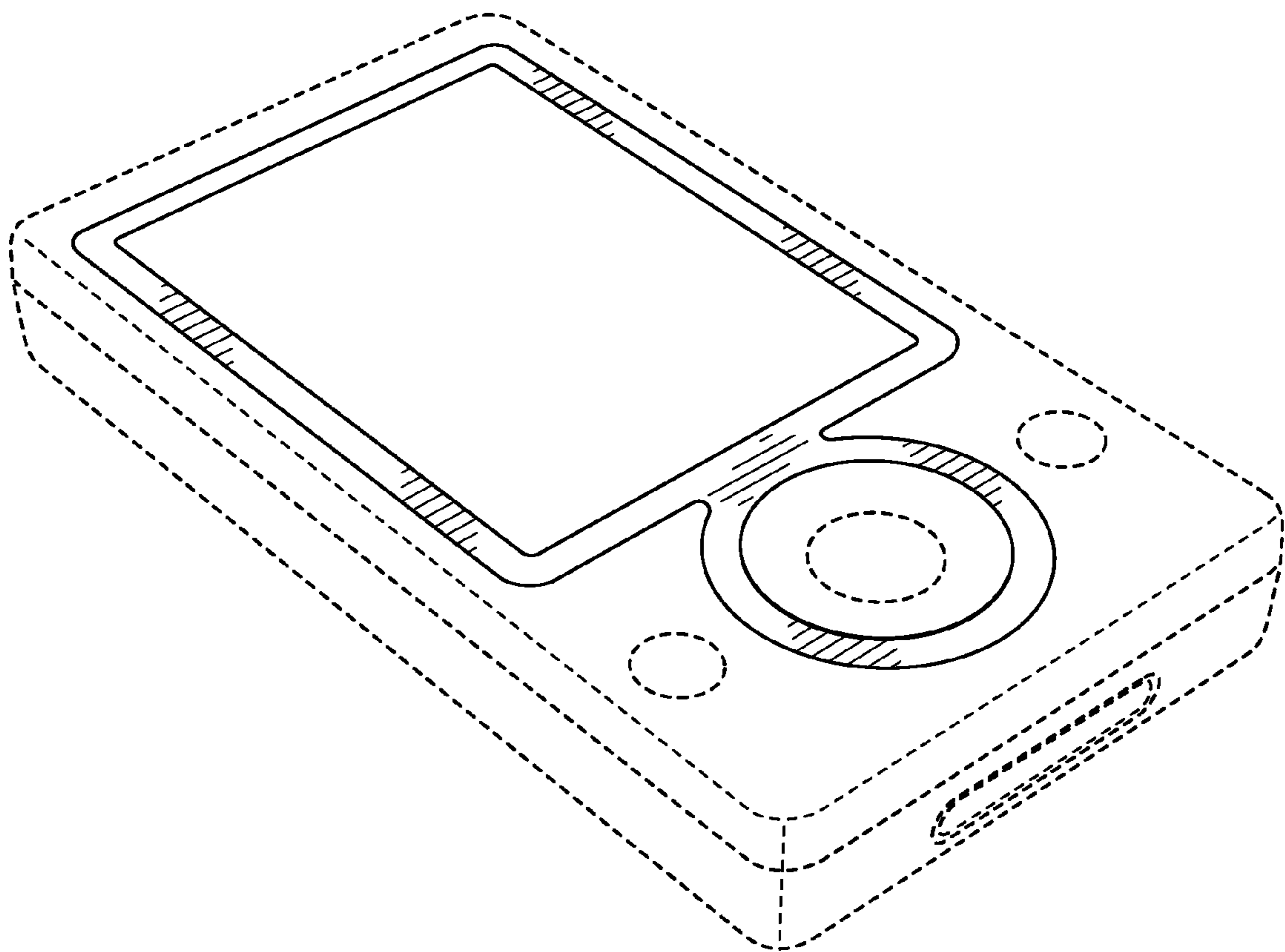


FIG. 1

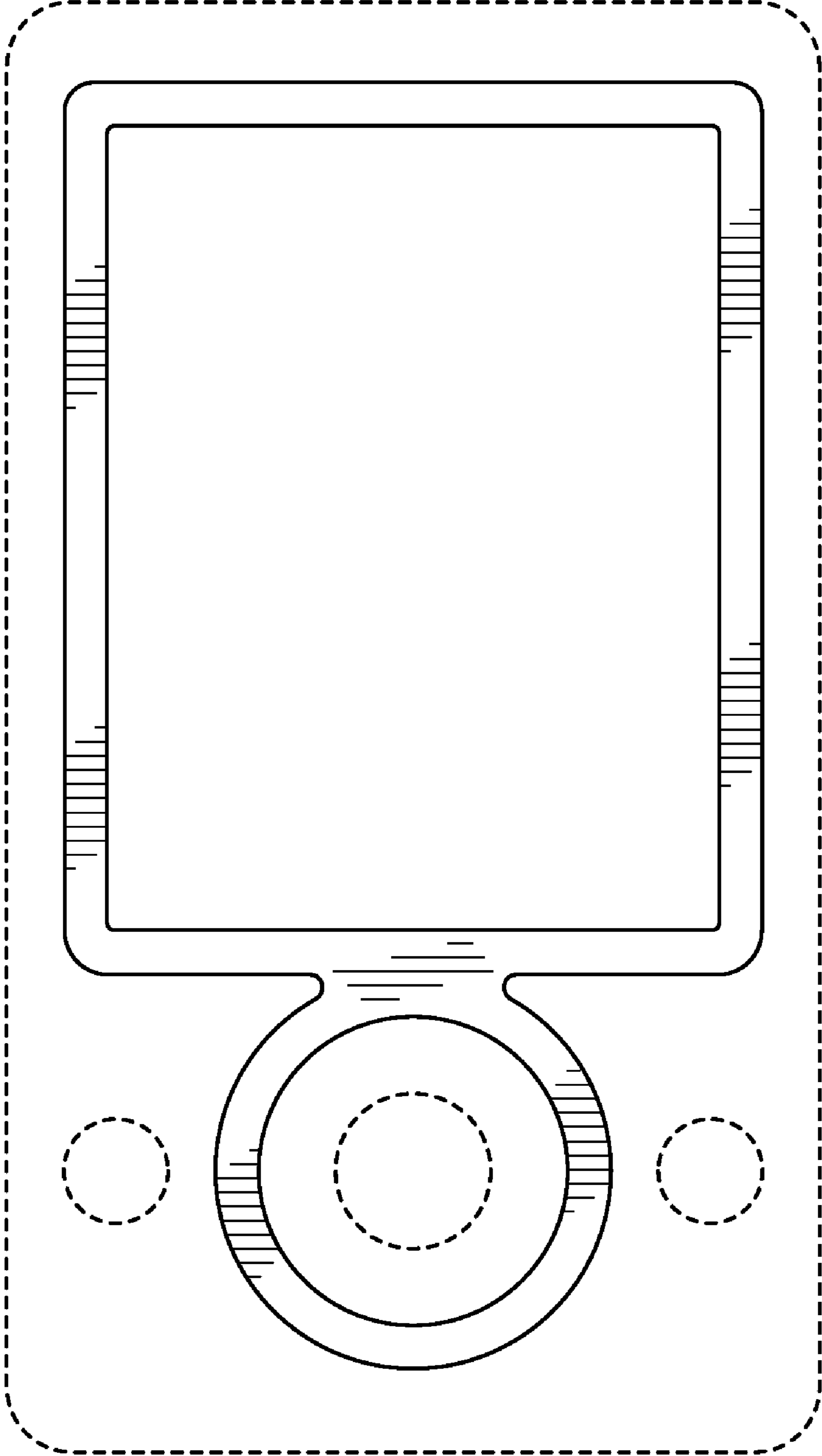


FIG. 2

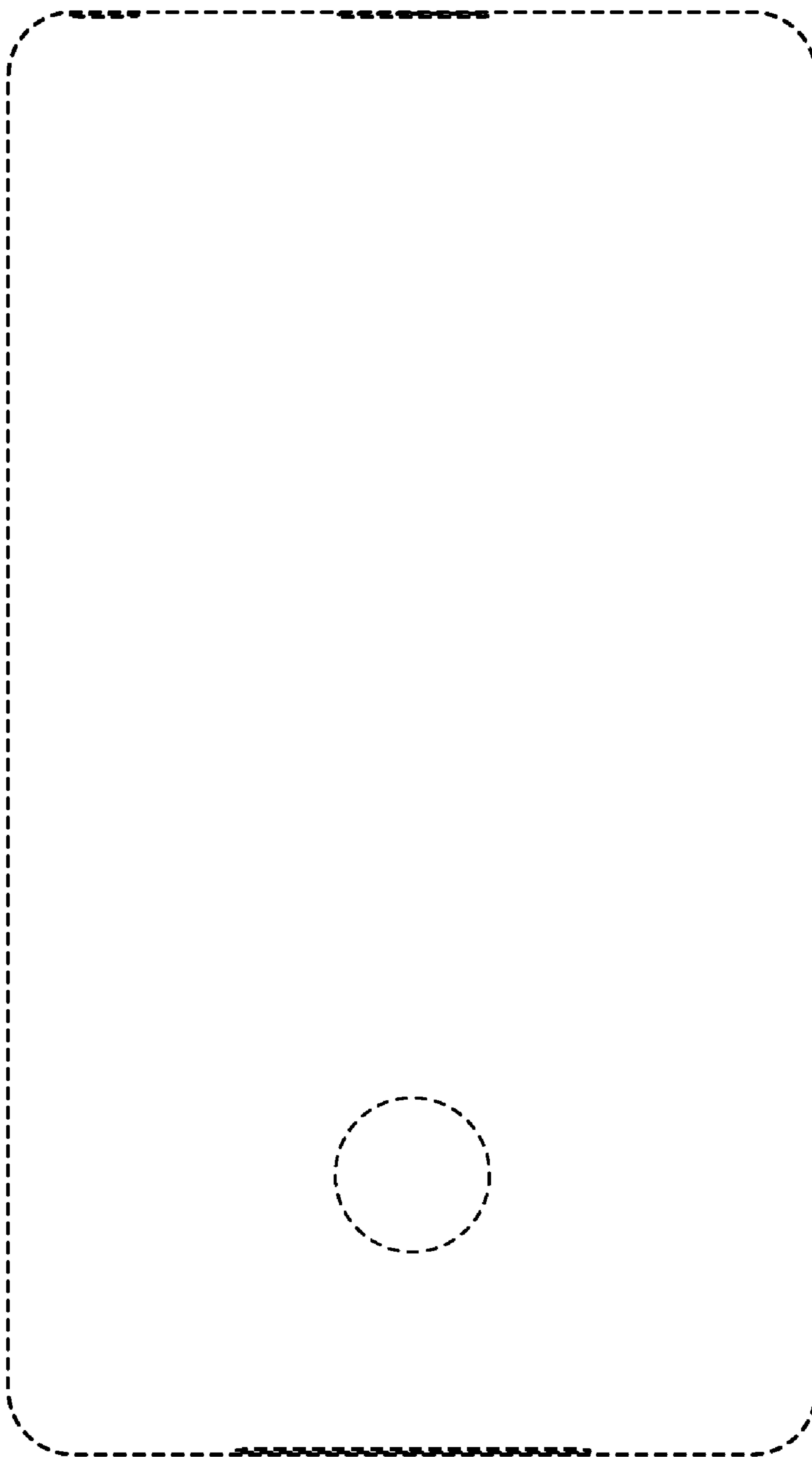


FIG. 3

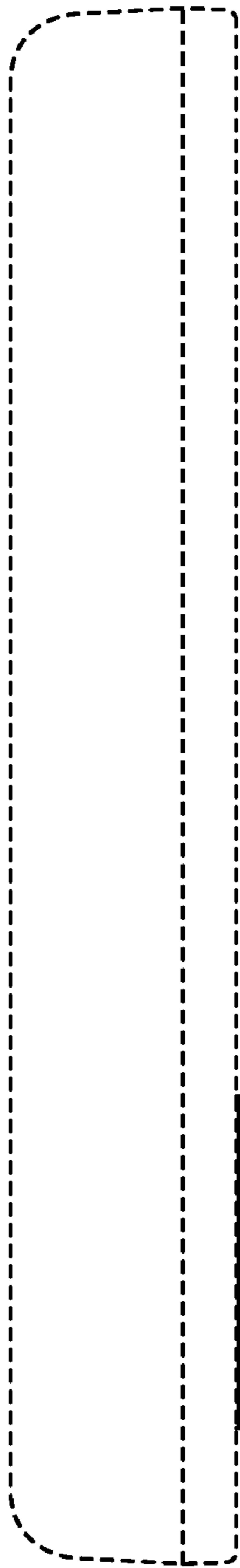


FIG. 4

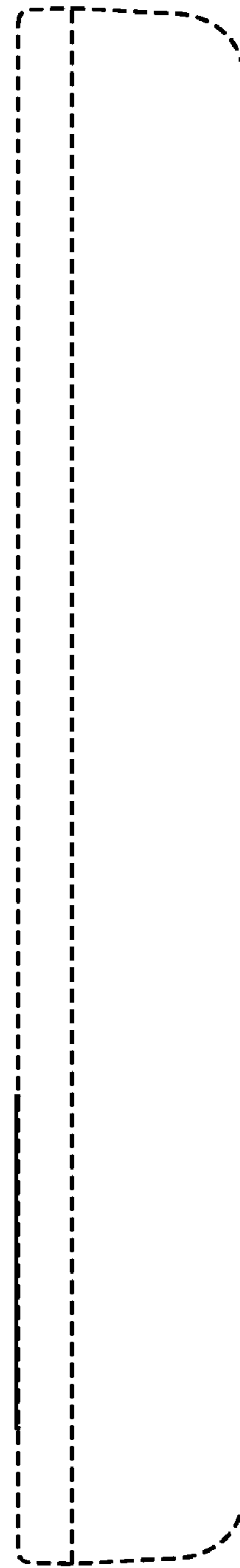


FIG. 5

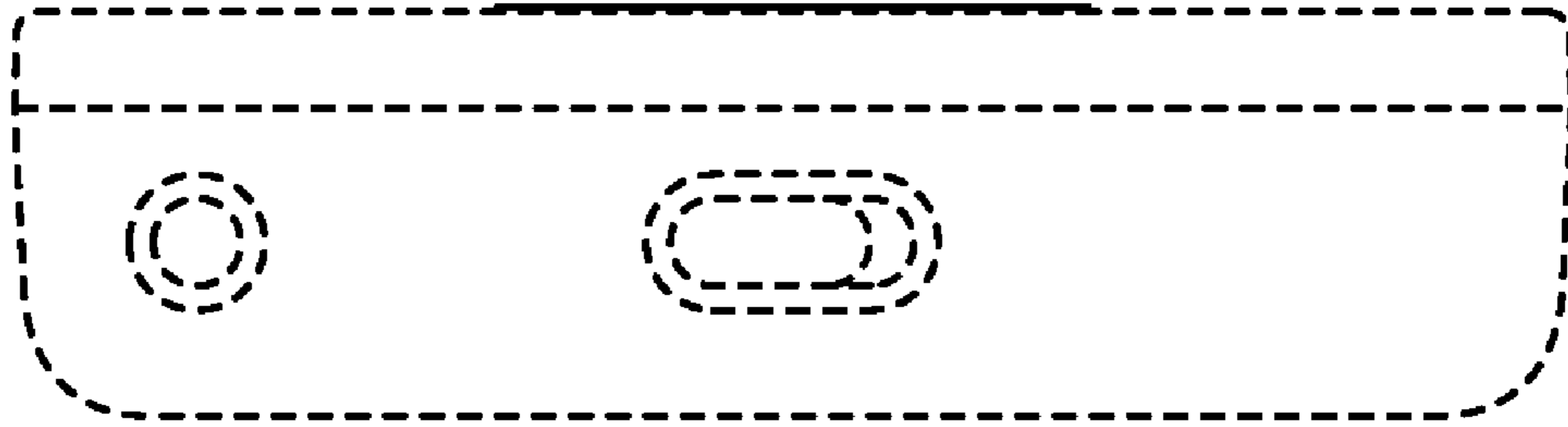


FIG. 6

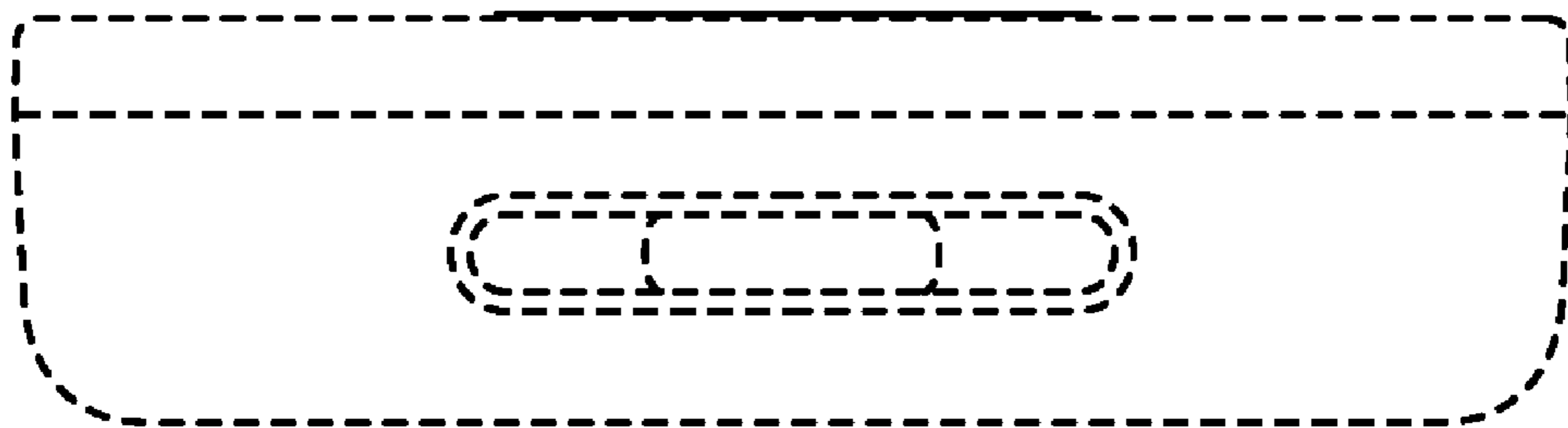


FIG. 7