



US00D566727S

(12) **United States Design Patent**  
**Kaneko et al.**

(10) **Patent No.:** **US D566,727 S**  
(45) **Date of Patent:** **\*\* Apr. 15, 2008**

(54) **PORTION OF A MEDIA PLAYER**

(75) Inventors: **Steven T. Kaneko**, Medina, WA (US);  
**John Ikeda**, Seattle, WA (US); **Carl J. Ledbetter**, Mercer Island, WA (US);  
**Jared Randall**, Seattle, WA (US)

(73) Assignee: **Microsoft Corporation**, Redmond, WA (US)

(\*\*) Term: **14 Years**

(21) Appl. No.: **29/247,966**

(22) Filed: **Jul. 21, 2006**

**Related U.S. Application Data**

(63) Continuation-in-part of application No. 29/247,799, filed on Jul. 12, 2006.

(51) **LOC (8) Cl.** ..... **14-03**

(52) **U.S. Cl.** ..... **D14/496**

(58) **Field of Classification Search** ..... D14/496,  
D14/401, 435, 474, 483, 217, 137, 138, 160,  
D14/168; 345/156, 169, 173-179, 905; 715/727-729,  
715/864; 455/11.1, 7, 73, 344-347, 93, 95;  
370/342-344; 369/1, 2, 6, 12; 463/43-47;  
273/148 B

See application file for complete search history.

(56) **References Cited**

**U.S. PATENT DOCUMENTS**

- 6,122,526 A \* 9/2000 Parulski et al. .... 455/556.1
- D436,349 S \* 1/2001 Kim ..... D14/156
- D451,488 S \* 12/2001 Foster ..... D14/156
- D452,226 S \* 12/2001 Simpson et al. .... D14/167
- D487,898 S \* 3/2004 Cobigo ..... D14/496
- D494,188 S \* 8/2004 Huang ..... D14/496
- 7,046,230 B2 \* 5/2006 Zadesky et al. .... 345/156
- D533,566 S \* 12/2006 Lee ..... D14/496

- D540,346 S \* 4/2007 Jaakkola ..... D14/496
- D546,345 S \* 7/2007 Kim et al. .... D14/496
- 7,258,449 B2 \* 8/2007 Chong et al. .... 353/85
- D553,640 S \* 10/2007 Kimura et al. .... D14/496

**FOREIGN PATENT DOCUMENTS**

JP D1250015 7/2005

**OTHER PUBLICATIONS**

Apple Corporation, iPod images, 1 color sheet, dated 2006 (or as listed by model).

\* cited by examiner

*Primary Examiner*—Prabhakar Deshmukh

(74) *Attorney, Agent, or Firm*—Banner & Witcoff, Ltd.

(57) **CLAIM**

The ornamental design for a portion of a media player, as shown and described.

**DESCRIPTION**

FIG. 1 is a front isometric view of a portion of a media player showing our new design;

FIG. 2 is a front elevational view thereof;

FIG. 3 is a rear elevational view thereof;

FIG. 4 is a left side elevational view thereof;

FIG. 5 is a right side elevational view thereof;

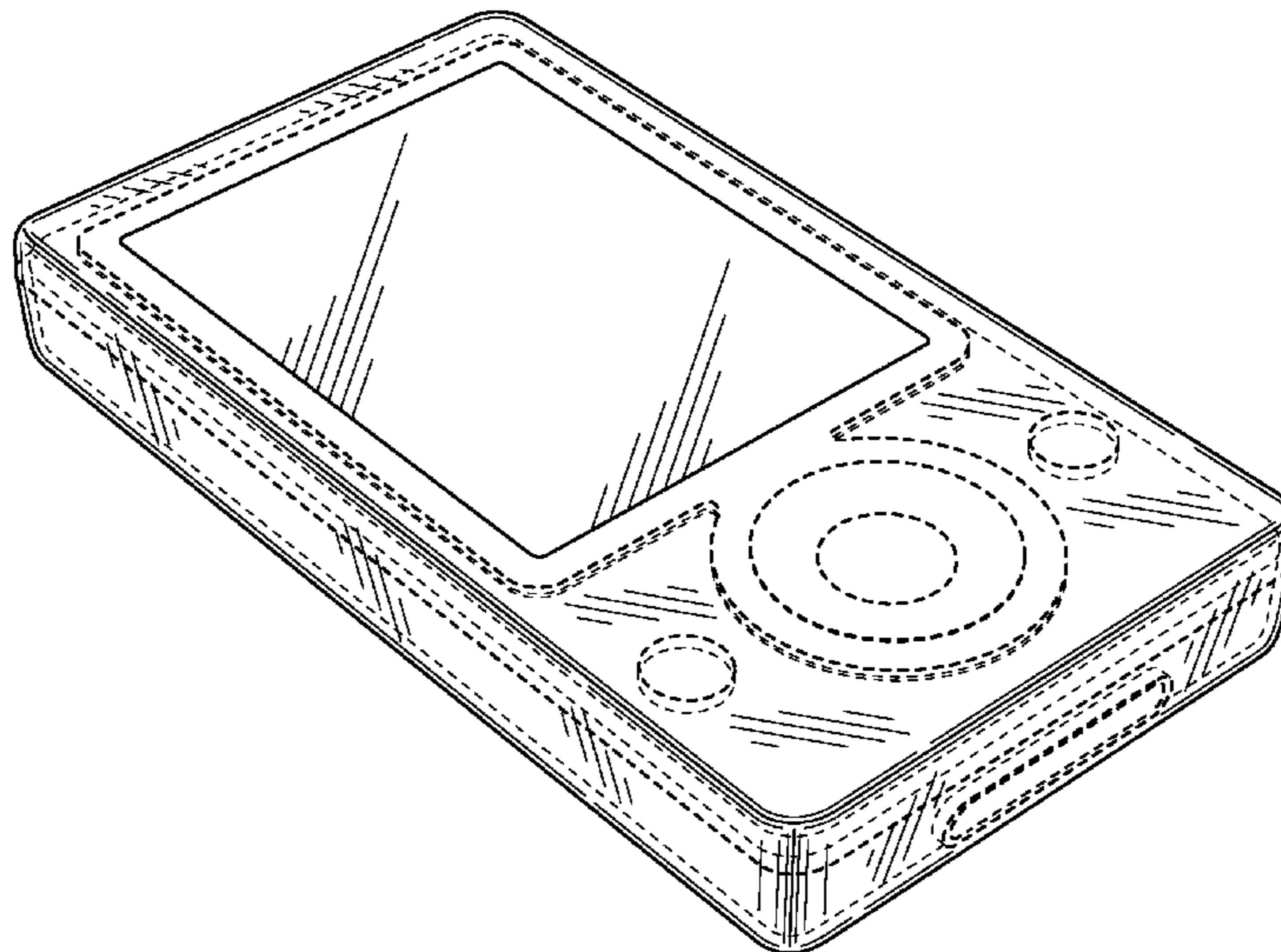
FIG. 6 is a top plan view thereof; and,

FIG. 7 is a bottom plan view thereof.

The broken line showing of various regions in the Figures, including the unshaded areas therein, is for illustrative purposes only and forms no part of the claimed design.

The broken lines, which define the bounds of the claimed design, form no part thereof.

**1 Claim, 5 Drawing Sheets**



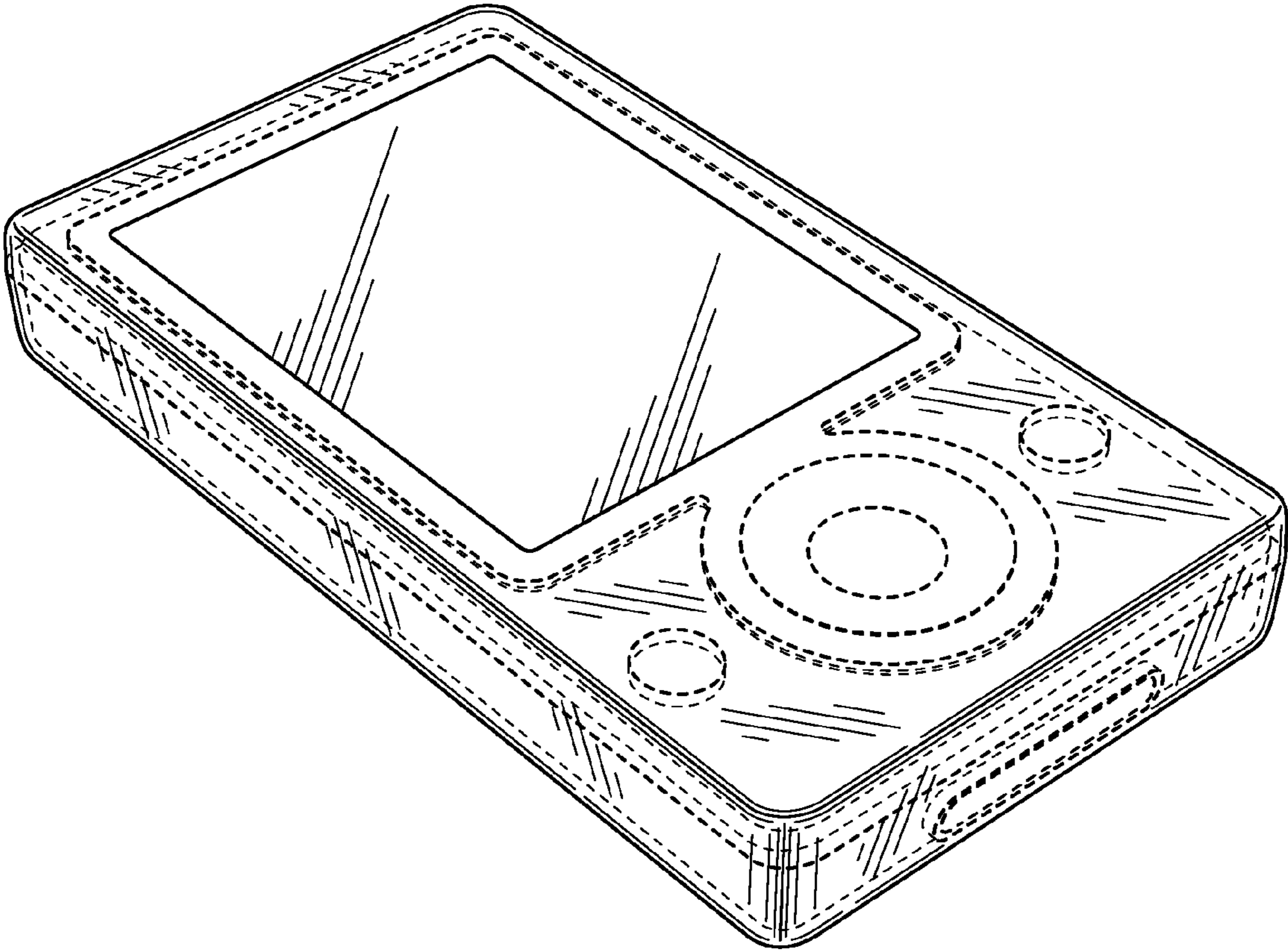


FIG. 1

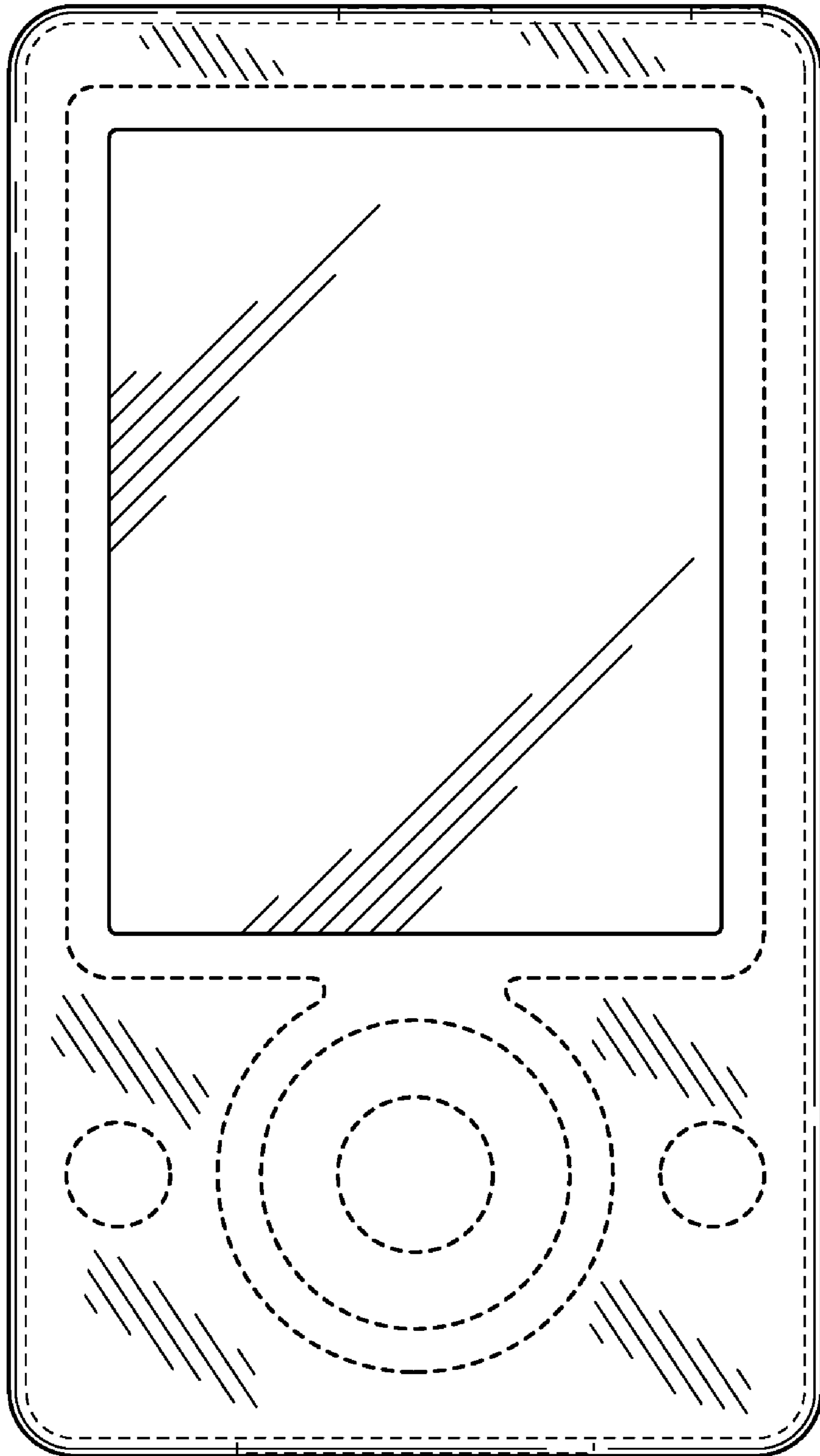


FIG. 2

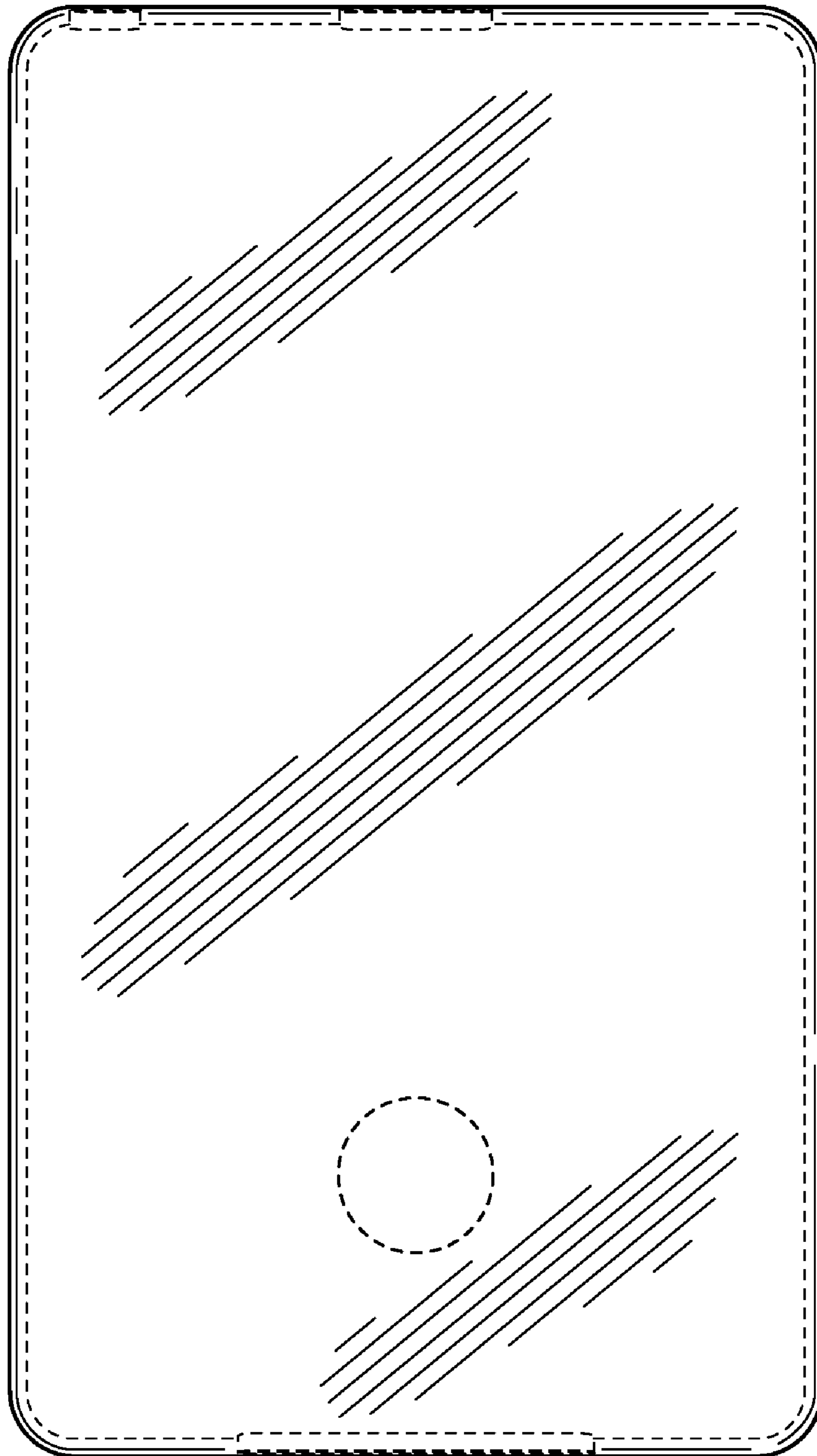


FIG. 3



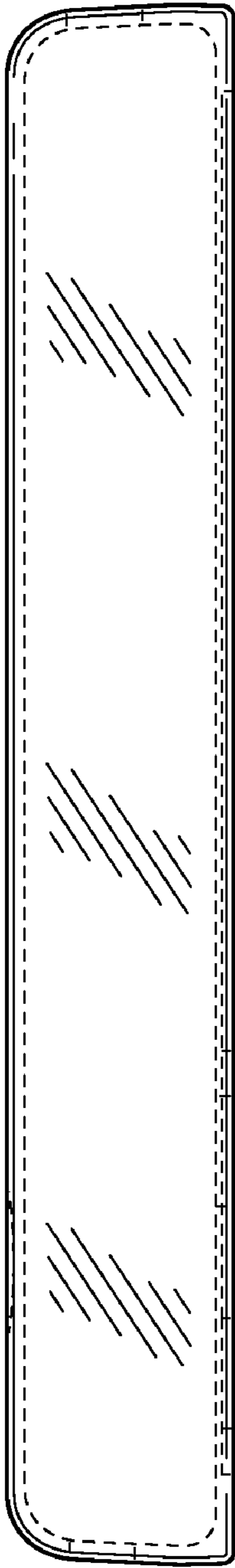


FIG. 4

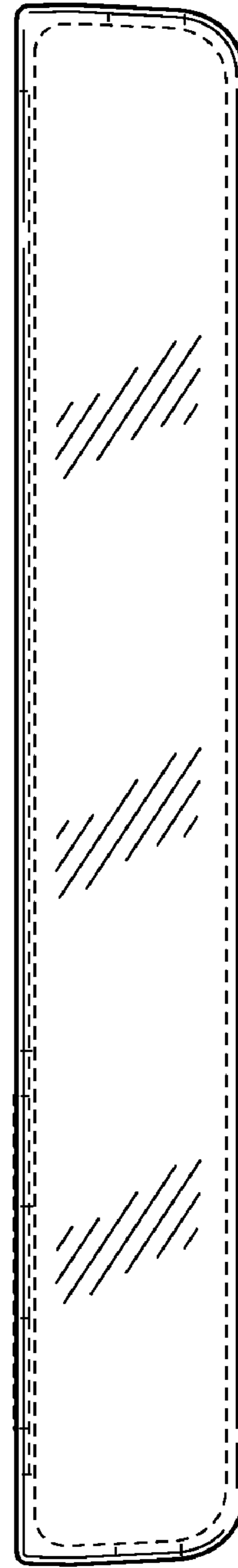


FIG. 5

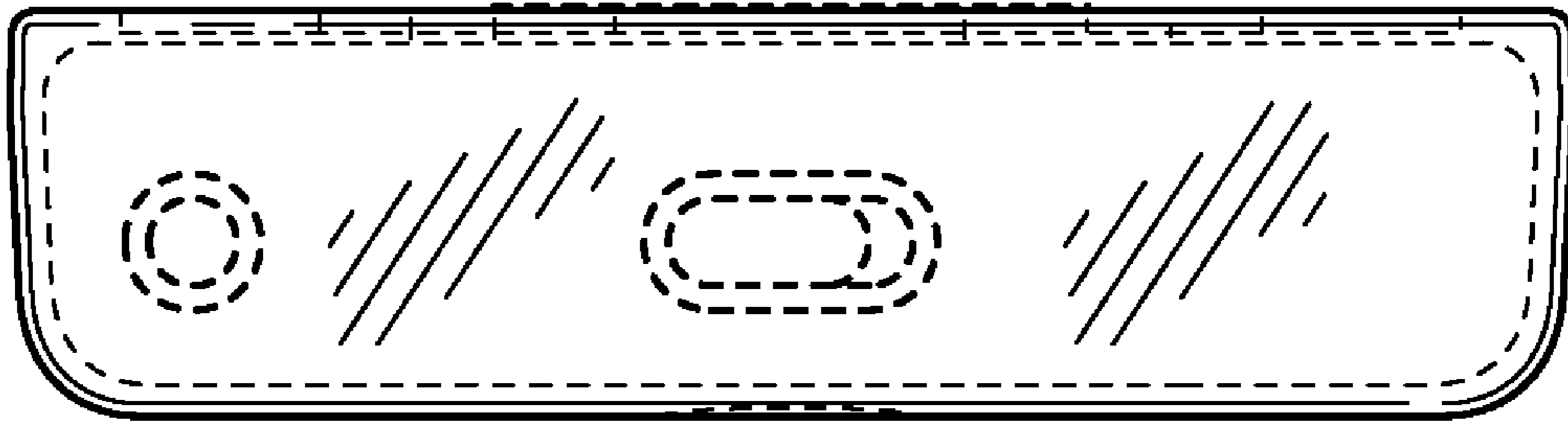


FIG. 6

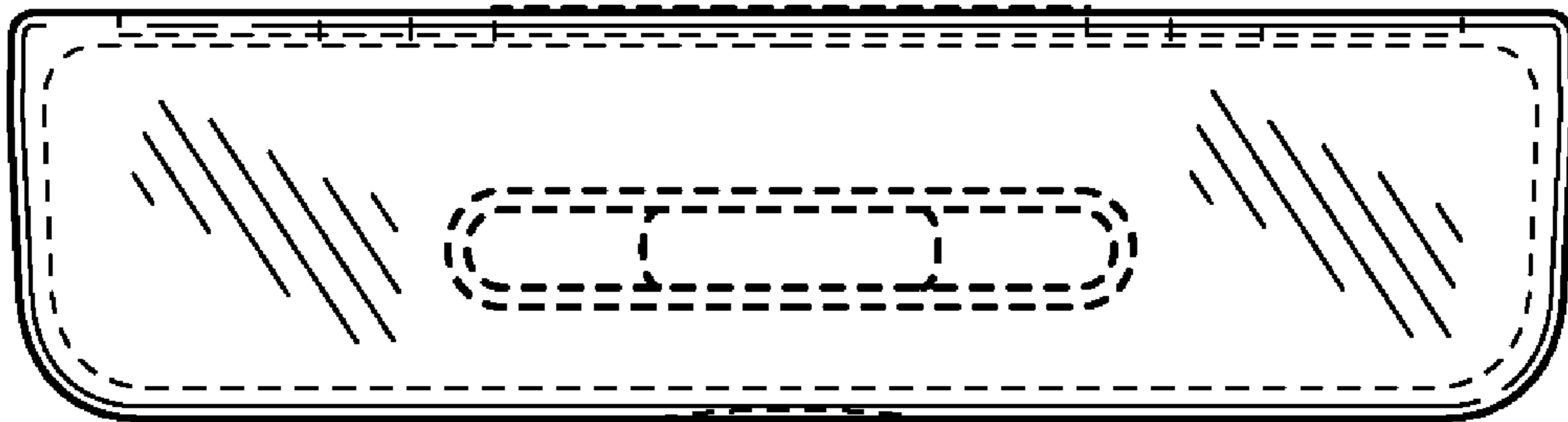


FIG. 7