



US00D566725S

(12) **United States Design Patent**
Kaneko et al.

(10) **Patent No.:** **US D566,725 S**
(45) **Date of Patent:** **** Apr. 15, 2008**

(54) **MEDIA PLAYER**

D553,640 S * 10/2007 Kimura et al. D14/496

(75) Inventors: **Steven T. Kaneko**, Medina, WA (US);
John Ikeda, Seattle, WA (US); **Carl J. Ledbetter**, Mercer Island, WA (US);
Jared Randall, Seattle, WA (US)

FOREIGN PATENT DOCUMENTS

JP D1250015 7/2005

OTHER PUBLICATIONS

Apple Corporation, iPod images, 1 color sheet, dated 2006 (or as listed by model).

* cited by examiner

Primary Examiner—Prabhakar Deshmukh

(74) *Attorney, Agent, or Firm*—Banner & Witcoff, Ltd.

(73) Assignee: **Microsoft Corporation**, Redmond, WA (US)

(**) Term: **14 Years**

(21) Appl. No.: **29/247,964**

(22) Filed: **Jul. 21, 2006**

Related U.S. Application Data

(63) Continuation-in-part of application No. 29/247,799, filed on Jul. 12, 2006.

(51) **LOC (8) Cl.** **14-03**

(52) **U.S. Cl.** **D14/496**

(58) **Field of Classification Search** D14/496,
D14/401, 435, 474, 483, 217, 137, 138, 160,
D14/168; 345/156, 169, 173–179, 905; 715/727–729,
715/864; 455/11.1, 773, 344–347, 93, 95;
370/342–344; 369/1, 2, 6, 12; 463/43–47;
273/148 B

See application file for complete search history.

(56) **References Cited**

U.S. PATENT DOCUMENTS

- 6,122,526 A * 9/2000 Parulski et al. 455/556.1
- D436,349 S * 1/2001 Kim D14/156
- D451,488 S * 12/2001 Foster D14/156
- D452,226 S * 12/2001 Simpson et al. D14/167
- D487,898 S * 3/2004 Cobigo D14/496
- D494,188 S * 8/2004 Huang D14/496
- 7,046,230 B2 * 5/2006 Zadesky et al. 345/156
- D533,566 S * 12/2006 Lee D14/496
- D540,346 S * 4/2007 Jaakkola D14/496
- D546,345 S * 7/2007 Kim et al. D14/496
- 7,258,449 B2 * 8/2007 Chong et al. 353/85

(57) **CLAIM**

The ornamental design for a media player, as shown and described.

DESCRIPTION

FIG. 1 is a front isometric view of a media player showing our new design;

FIG. 2 is a front elevational view thereof;

FIG. 3 is a rear elevational view thereof;

FIG. 4 is a left side elevational view thereof;

FIG. 5 is a right side elevational view thereof;

FIG. 6 is a top plan view thereof;

FIG. 7 is a bottom plan view thereof;

FIG. 8 is a front isometric view of a media player showing an alternative embodiment of our new design;

FIG. 9 is a front elevational view thereof;

FIG. 10 is a rear elevational view thereof;

FIG. 11 is a left side elevational view thereof;

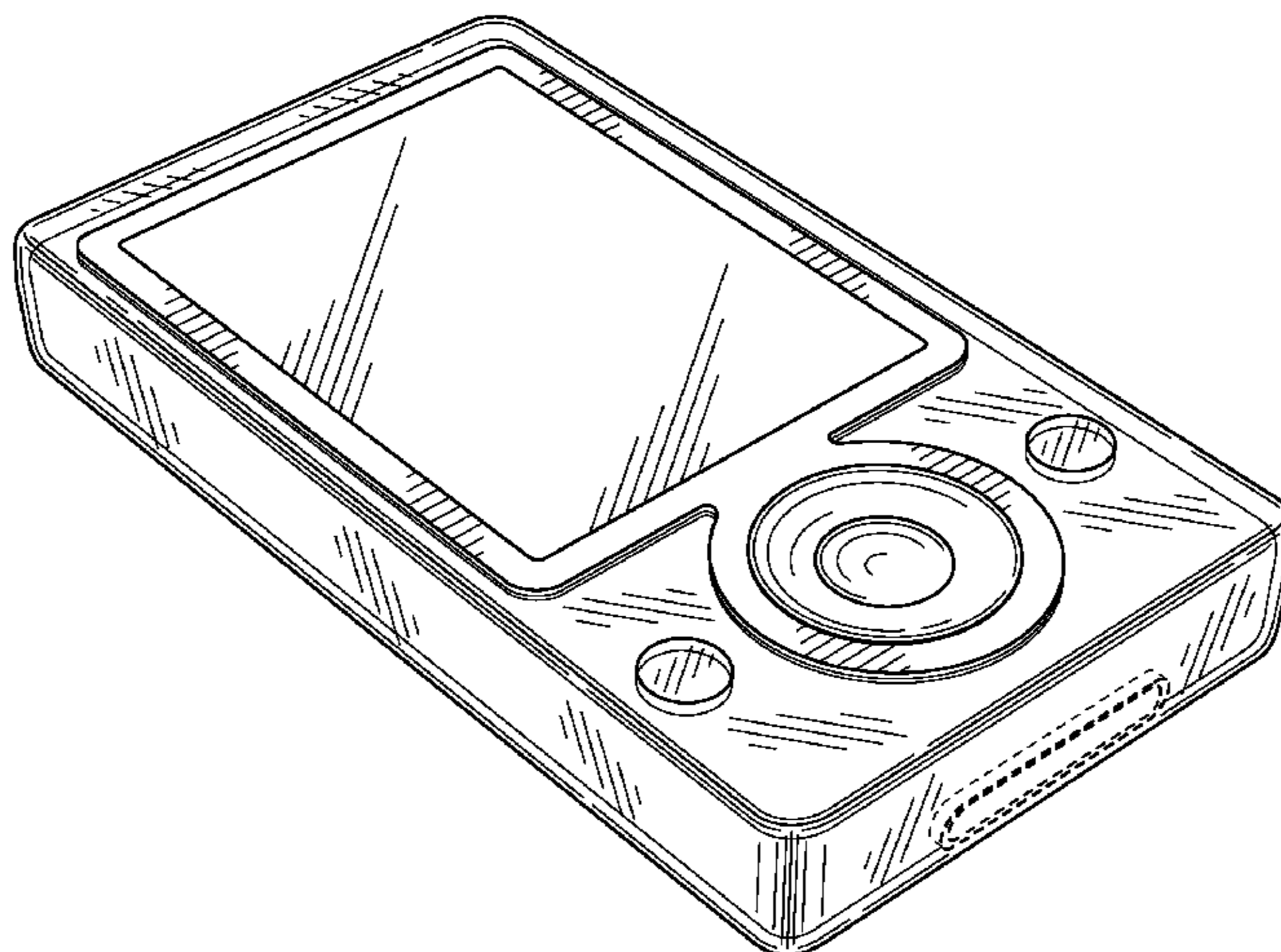
FIG. 12 is a right side elevational view thereof;

FIG. 13 is a top plan view thereof; and,

FIG. 14 is a bottom plan view thereof.

The broken line showing of various regions in FIGS. 1–7, including the unshaded areas therein, is for illustrative purposes only and forms no part of the claimed design.

1 Claim, 10 Drawing Sheets



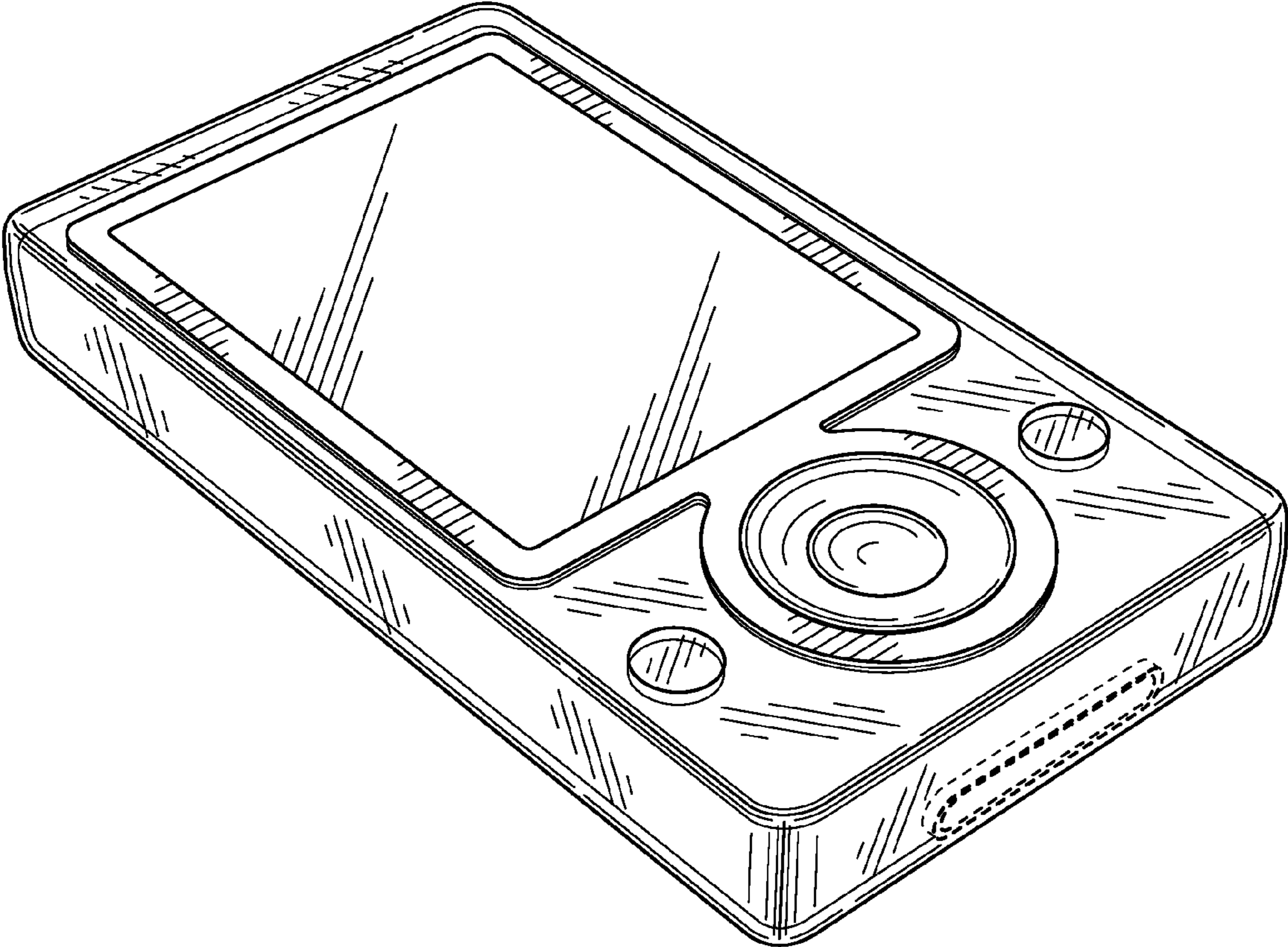


FIG. 1

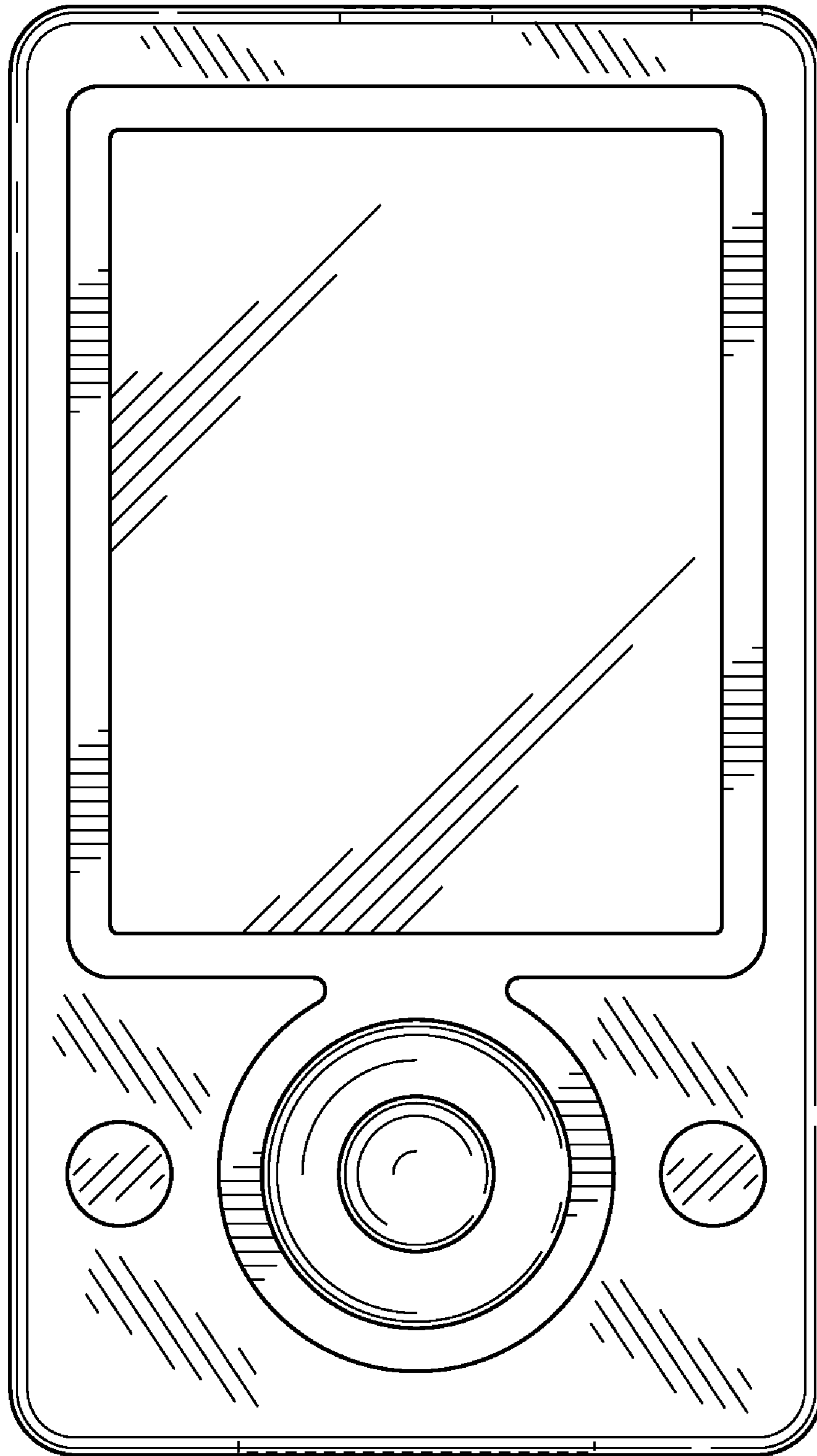


FIG. 2

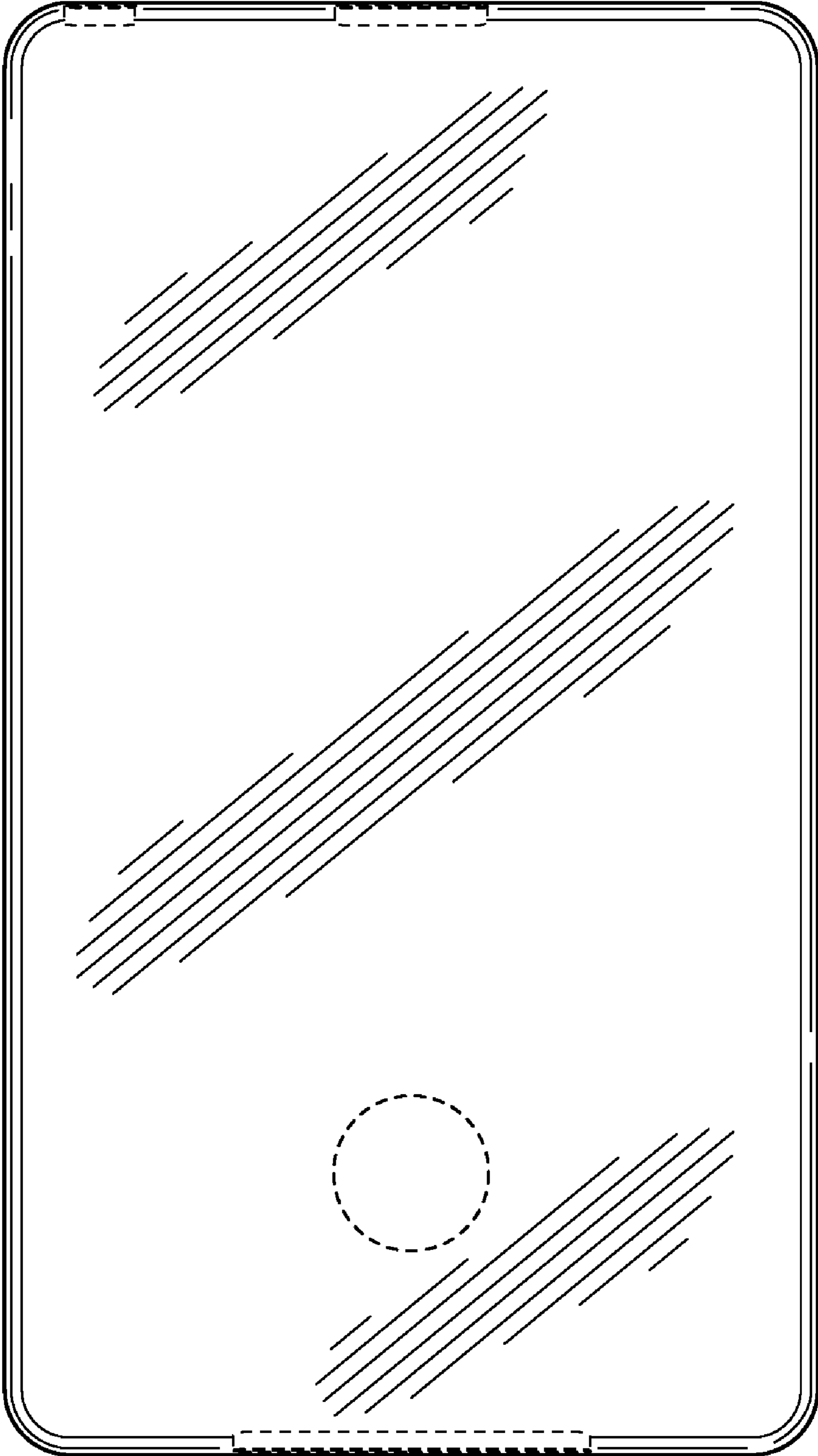


FIG. 3

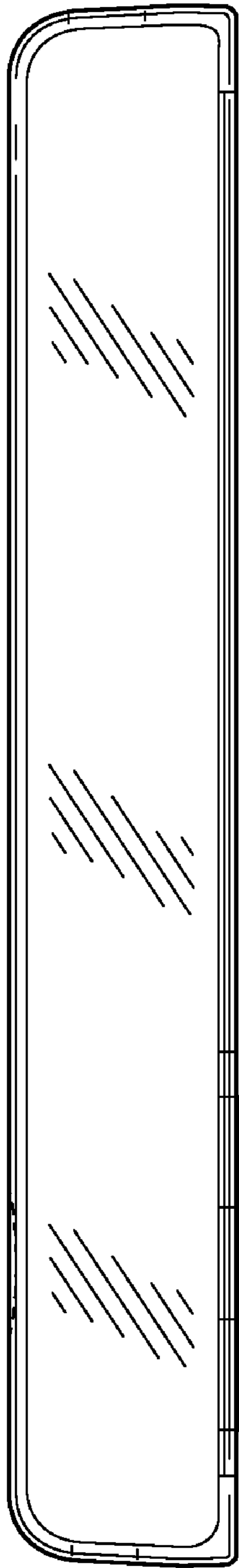


FIG. 4

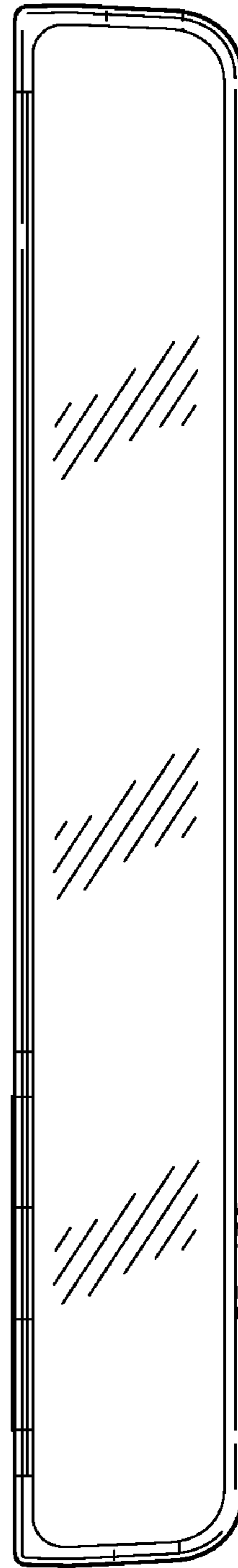


FIG. 5

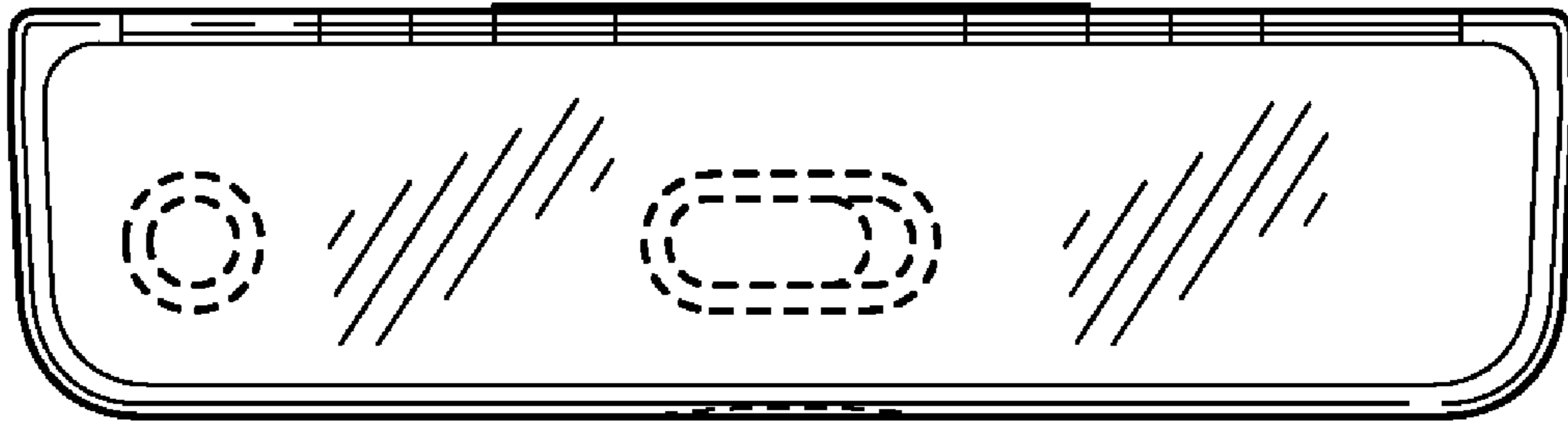


FIG. 6

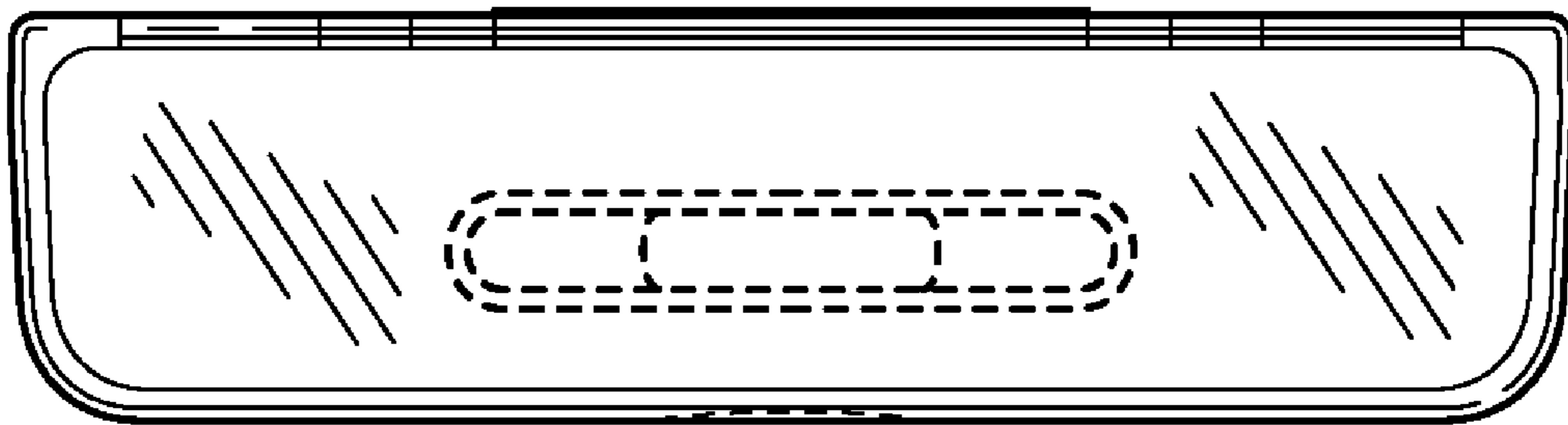


FIG. 7

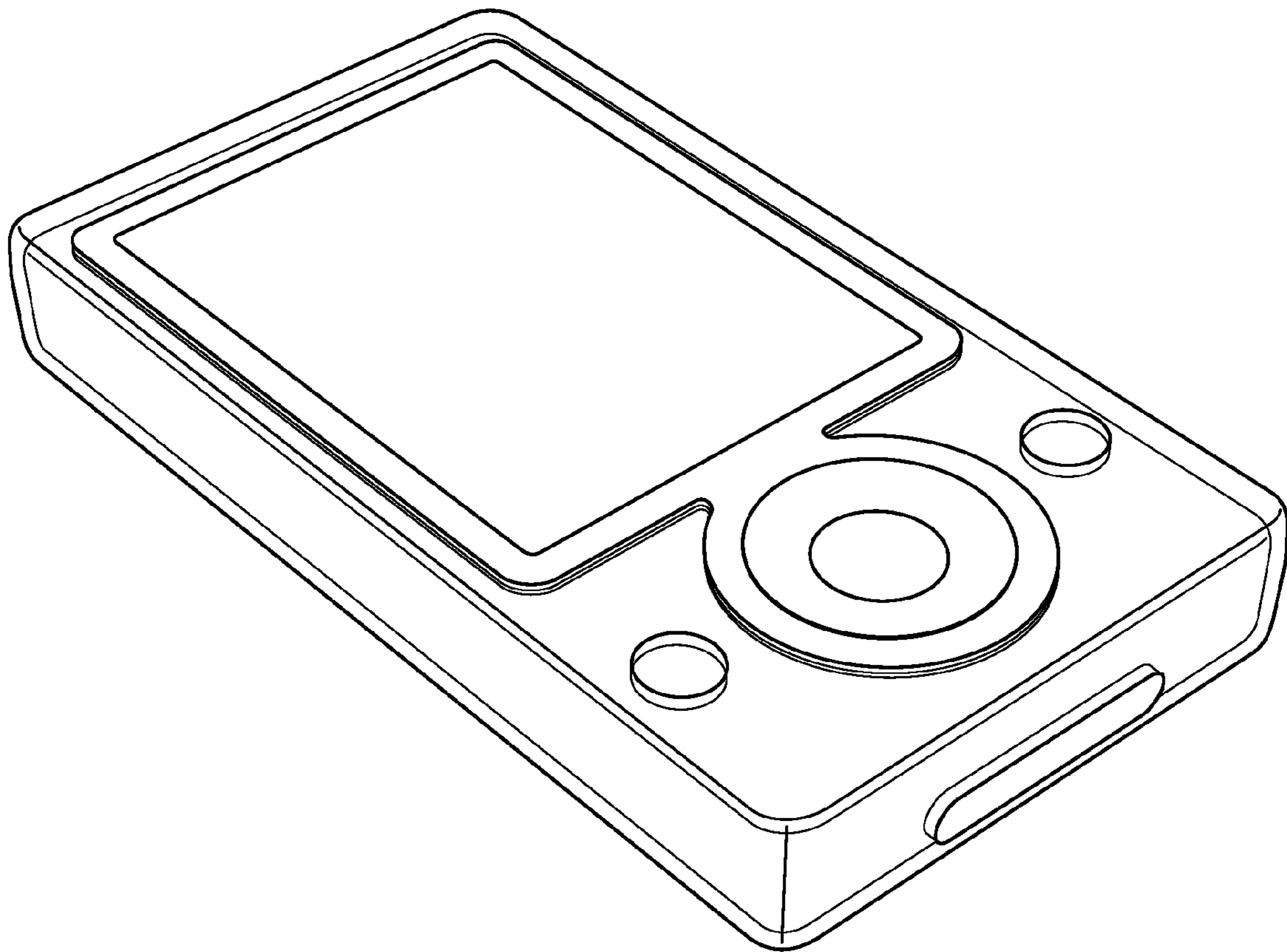


FIG. 8

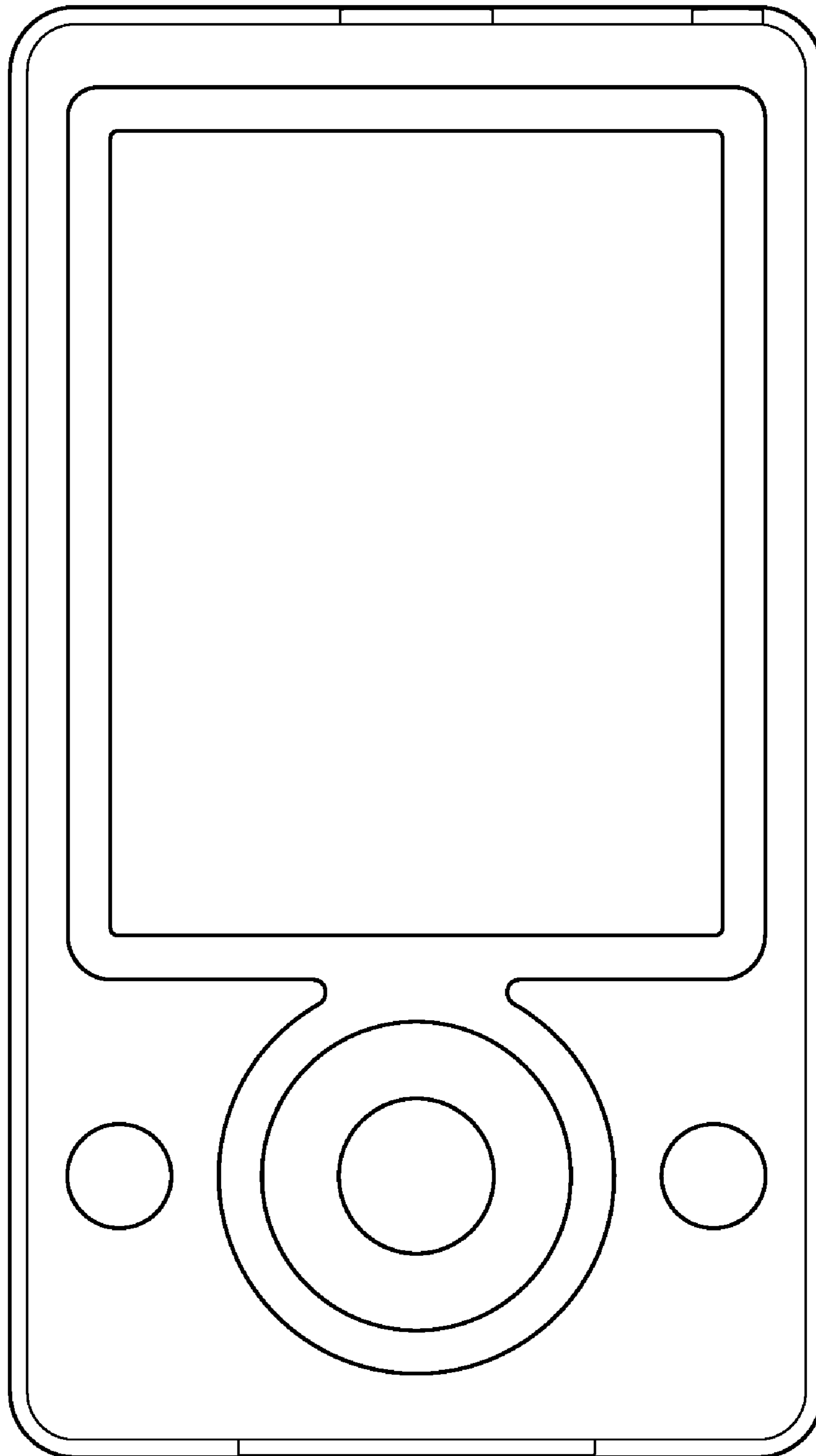


FIG. 9

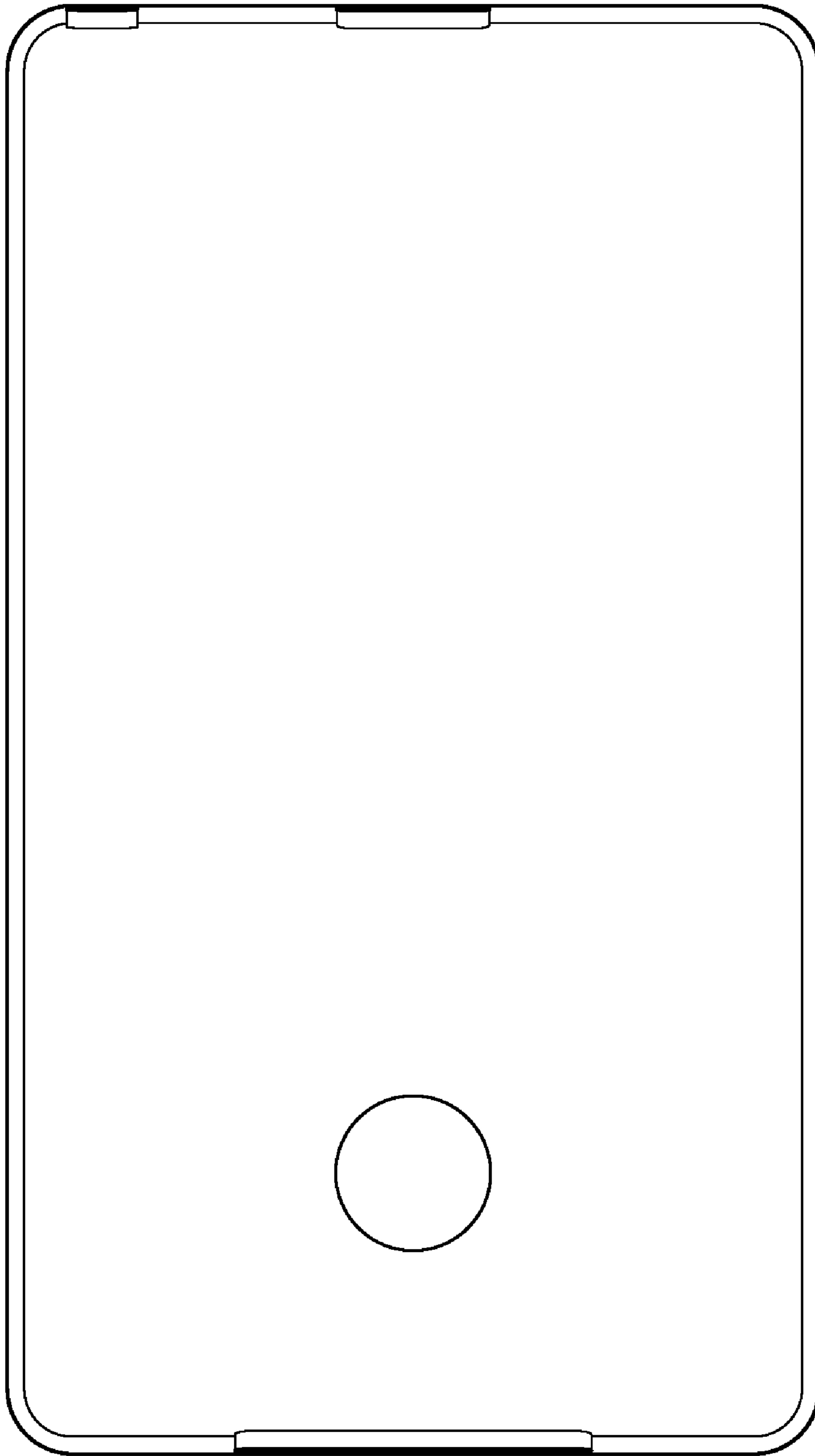


FIG. 10

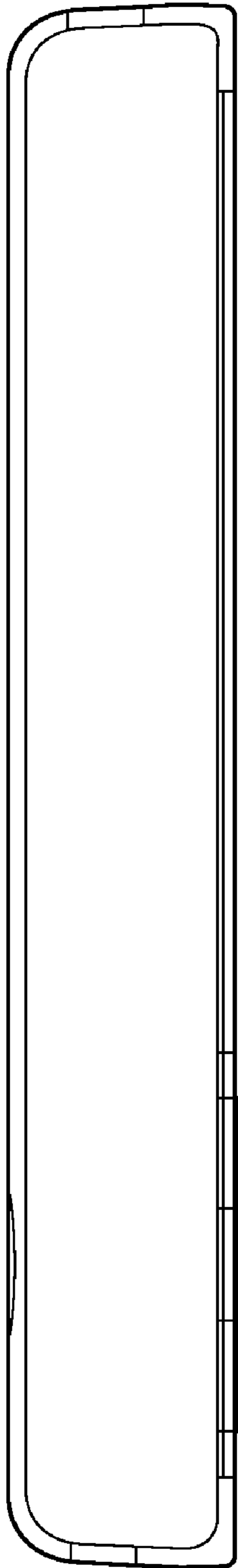


FIG. 11

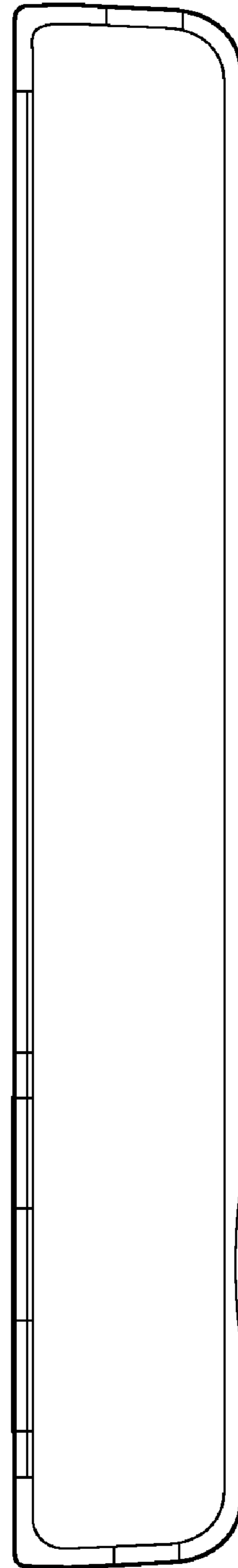


FIG. 12

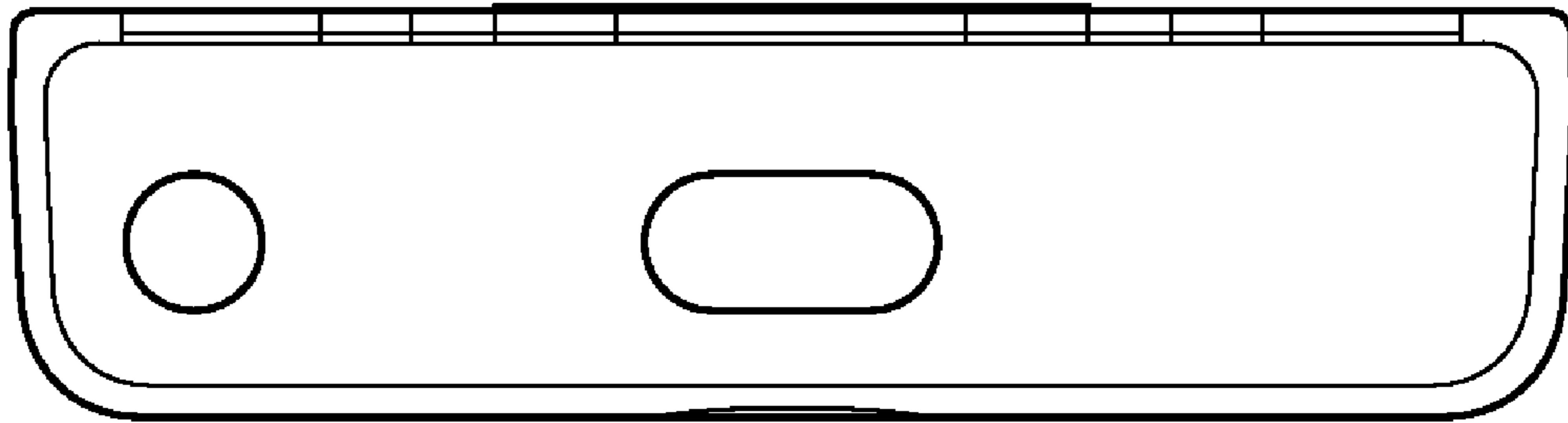


FIG. 13

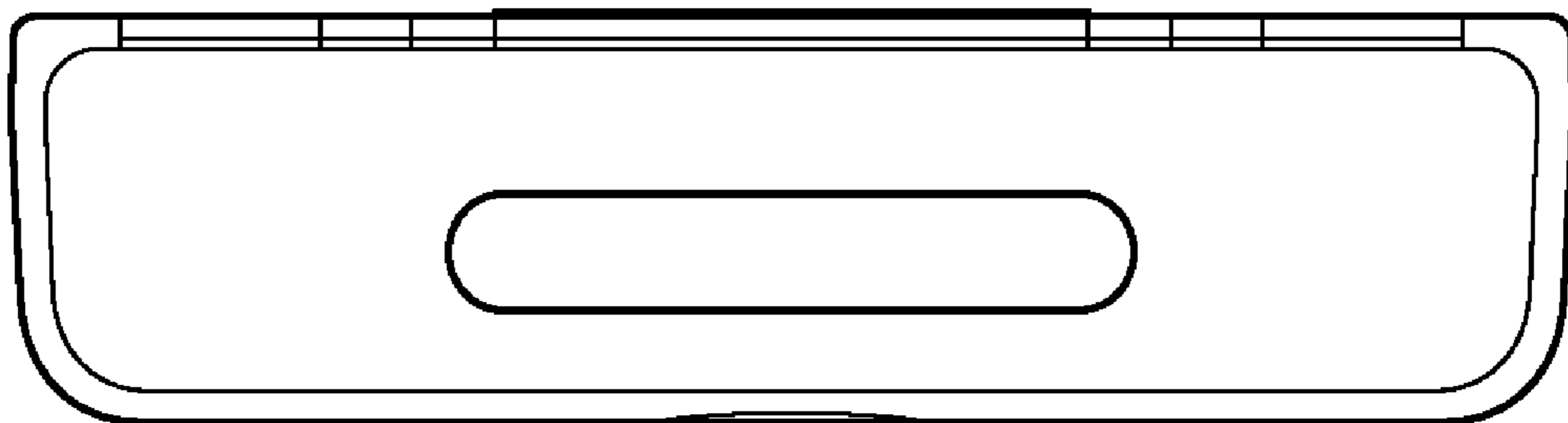


FIG. 14