

US00D566713S

(12) **United States Design Patent** (10) **Patent No.:** **US D566,713 S**  
**Ah** (45) **Date of Patent:** **\*\* Apr. 15, 2008**

(54) **BAR CODE READER**

(75) Inventor: **Hyun-Woo Ah**, Seoul (KR)

(73) Assignee: **Bluebird Soft** (KR)

(\*\*) Term: **14 Years**

(21) Appl. No.: **29/281,147**

(22) Filed: **Jun. 15, 2007**

(30) **Foreign Application Priority Data**

Dec. 15, 2006 (KR) ..... 30-2006-0049966

(51) **LOC (8) Cl.** ..... **14-02**

(52) **U.S. Cl.** ..... **D14/428**; D14/426

(58) **Field of Classification Search** ..... D14/420,  
D14/426-430, 453, 346, 341, 347, 412, 138;  
D13/107, 184; 358/473; 235/462.43, 462.45,  
235/462.47, 462.48, 462.44, 462.46, 487,  
235/472.01, 472.02, 145 A, 145 R; D10/78;  
324/426; D3/273; 710/73; D18/7; 361/679;  
382/313, 321; 455/575.1, 561, 572; 345/156,  
345/168, 169, 172, 173, 87

See application file for complete search history.

(56) **References Cited**

**U.S. PATENT DOCUMENTS**

D307,138 S \* 4/1990 Knowles ..... D14/428  
D358,588 S \* 5/1995 LaManna et al. .... D14/428  
D361,565 S \* 8/1995 LaManna et al. .... D14/428  
D362,435 S \* 9/1995 Charych et al. .... D14/428  
5,663,551 A \* 9/1997 Hone et al. .... 235/462.45  
D400,199 S \* 10/1998 Fitch et al. .... D14/428  
D414,171 S \* 9/1999 Swift et al. .... D14/428  
D418,500 S \* 1/2000 Giordano et al. .... D14/429

6,186,400 B1 \* 2/2001 Dvorkis et al. .... 235/462.45  
D456,810 S \* 5/2002 Schlieffers ..... D14/428  
D459,728 S \* 7/2002 Roberts et al. .... D14/428  
6,478,226 B2 \* 11/2002 Canini et al. .... 235/462.48  
D470,145 S \* 2/2003 Schlieffers et al. .... D14/428  
6,517,003 B2 \* 2/2003 Vassura et al. .... 235/472.01  
6,648,228 B2 \* 11/2003 Dvorkis ..... 235/462.43  
6,824,060 B2 \* 11/2004 Barkan ..... 235/462.25  
6,959,865 B2 \* 11/2005 Walczyk et al. .... 235/454  
2001/0012413 A1 \* 8/2001 Longacre et al. .... 382/313  
2004/0020990 A1 \* 2/2004 Havens et al. .... 235/472.01  
2004/0164165 A1 \* 8/2004 Havens et al. .... 235/462.43  
2005/0167504 A1 \* 8/2005 Meier et al. .... 235/462.45

\* cited by examiner

*Primary Examiner*—Melanie Tung

*Assistant Examiner*—Susan Moon Lee

(74) *Attorney, Agent, or Firm*—Cantor Colburn LLP

(57) **CLAIM**

I claim the ornamental design for bar code reader, as shown and described.

**DESCRIPTION**

FIG. 1 is a top and front perspective view of bar code reader showing my new design;

FIG. 2 is a front view thereof;

FIG. 3 is a rear view thereof;

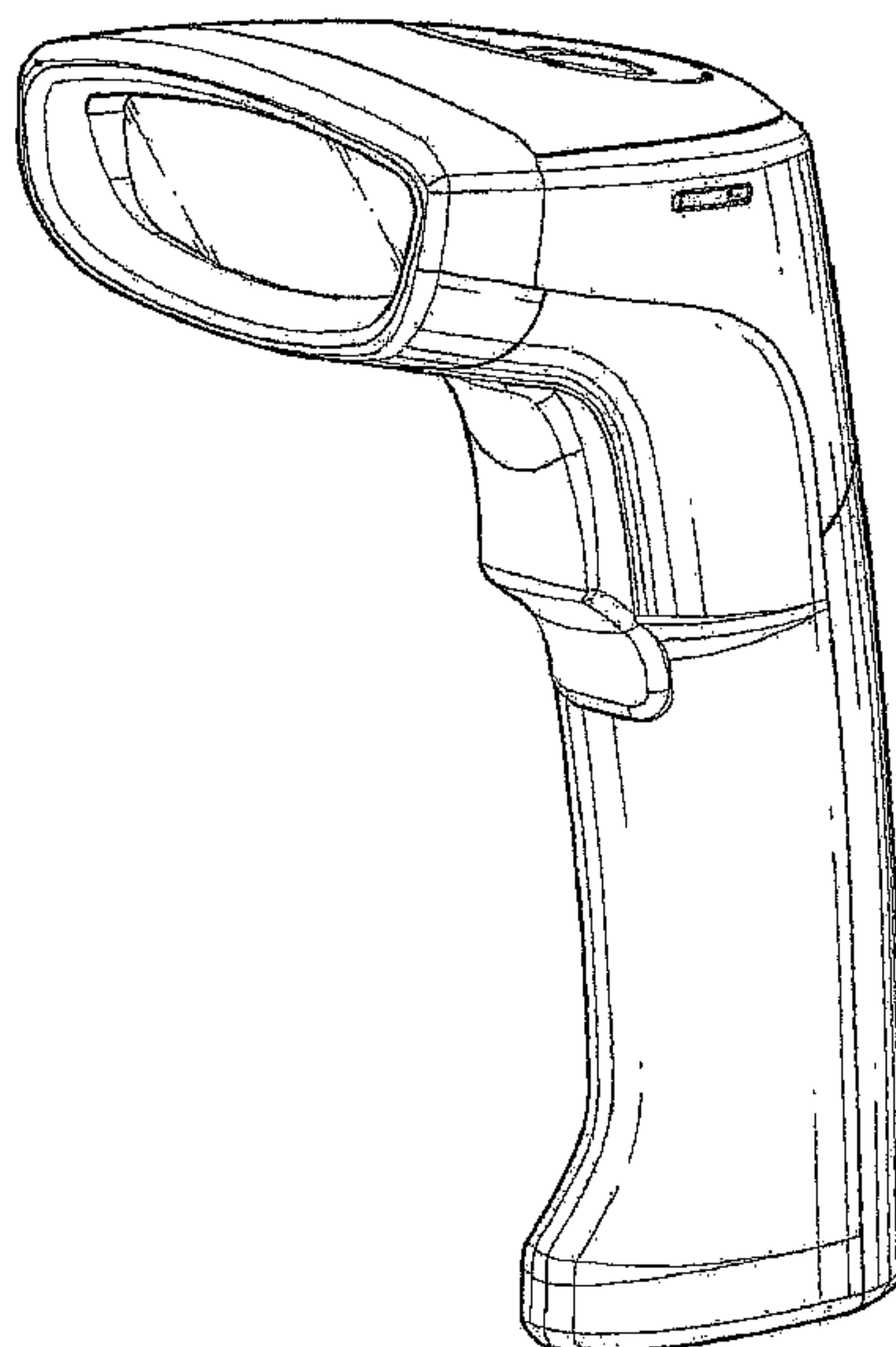
FIG. 4 is a left side view thereof;

FIG. 5 is a right side view thereof;

FIG. 6 is a top view thereof; and,

FIG. 7 is a bottom view thereof.

**1 Claim, 7 Drawing Sheets**



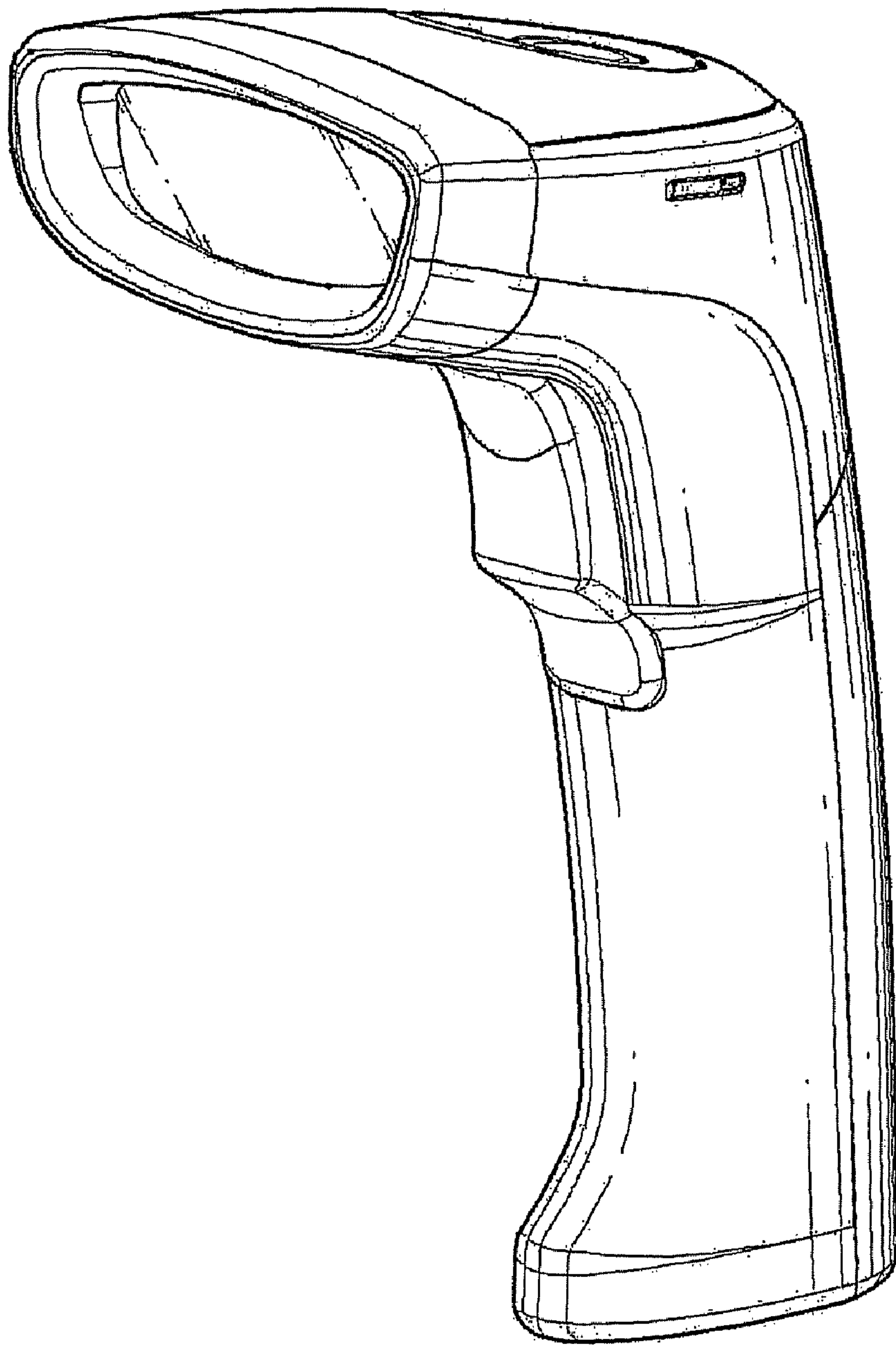


FIG. 1

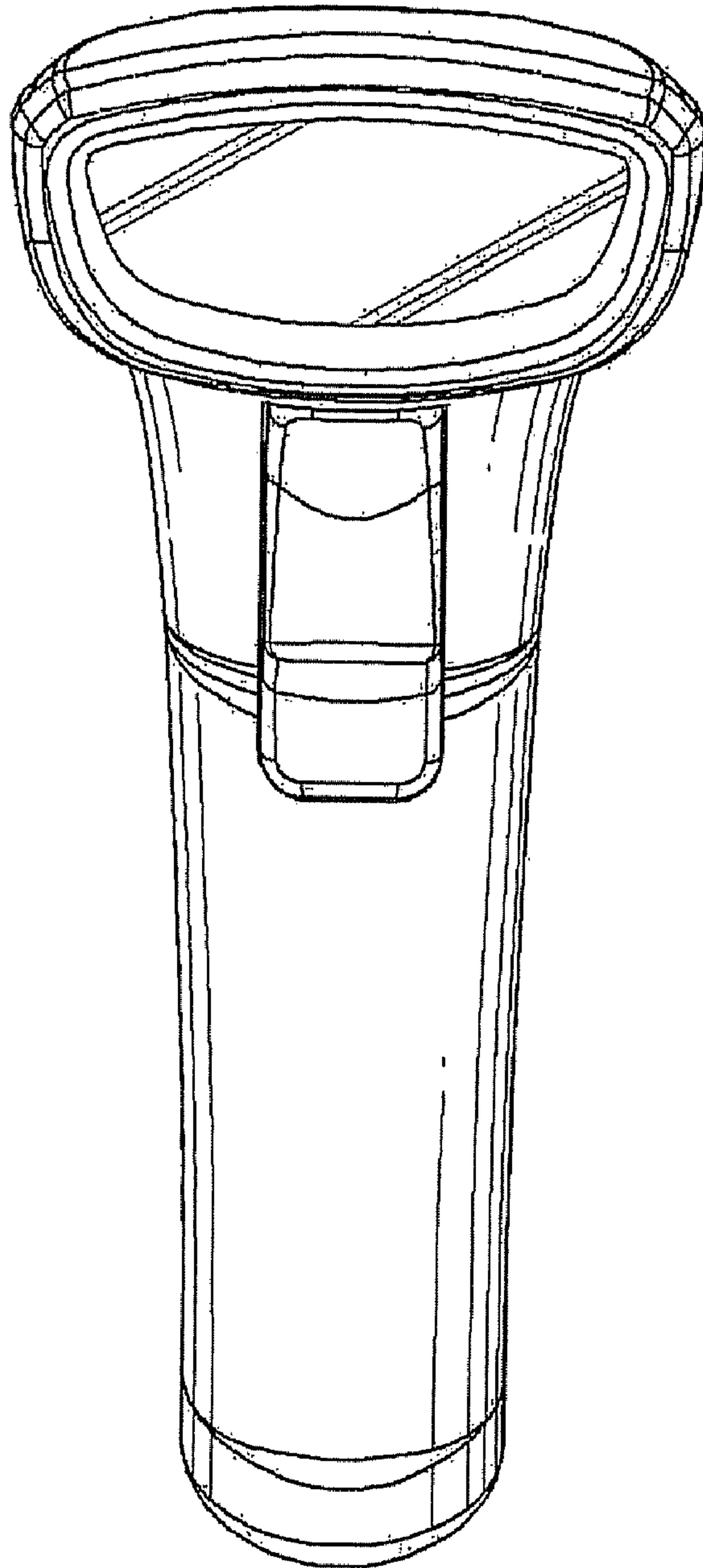


FIG. 2

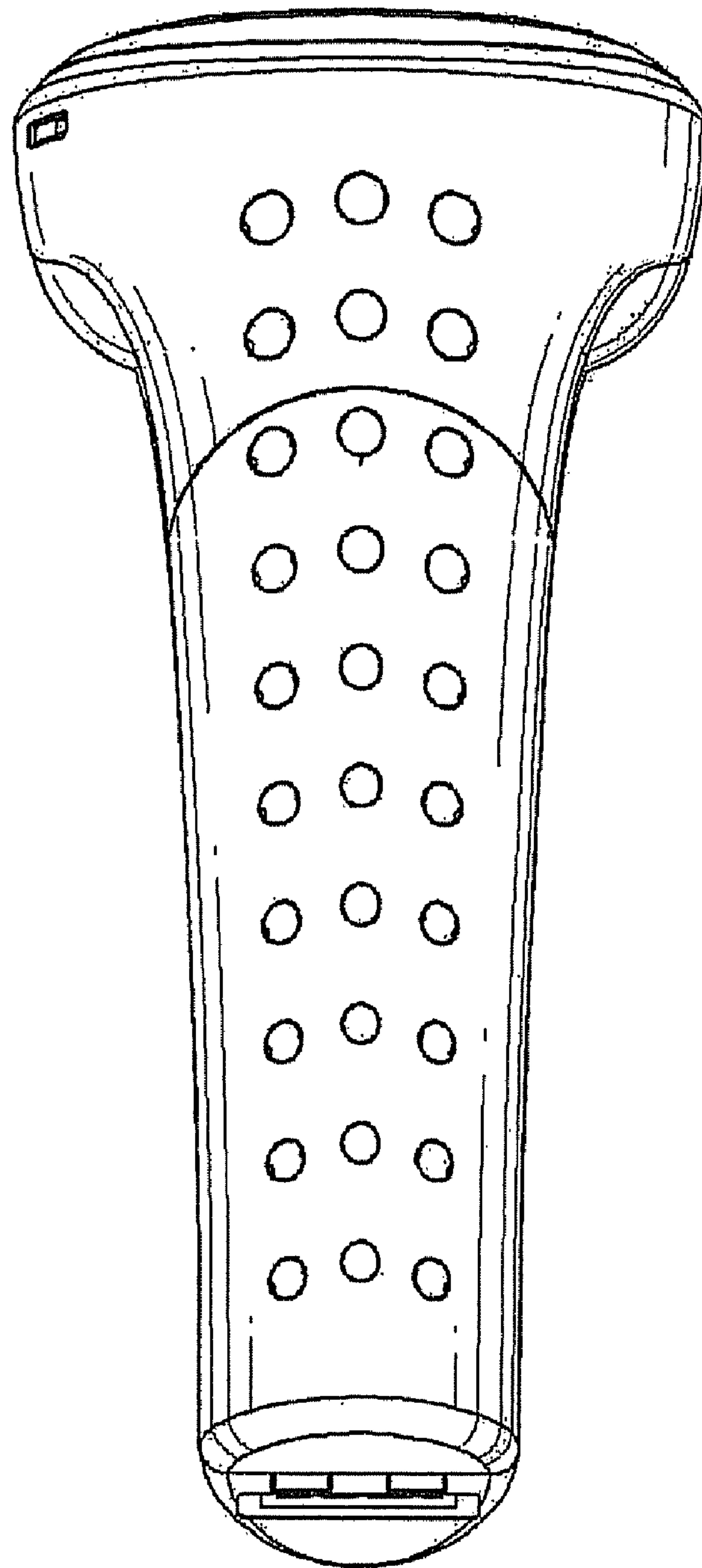


FIG. 3

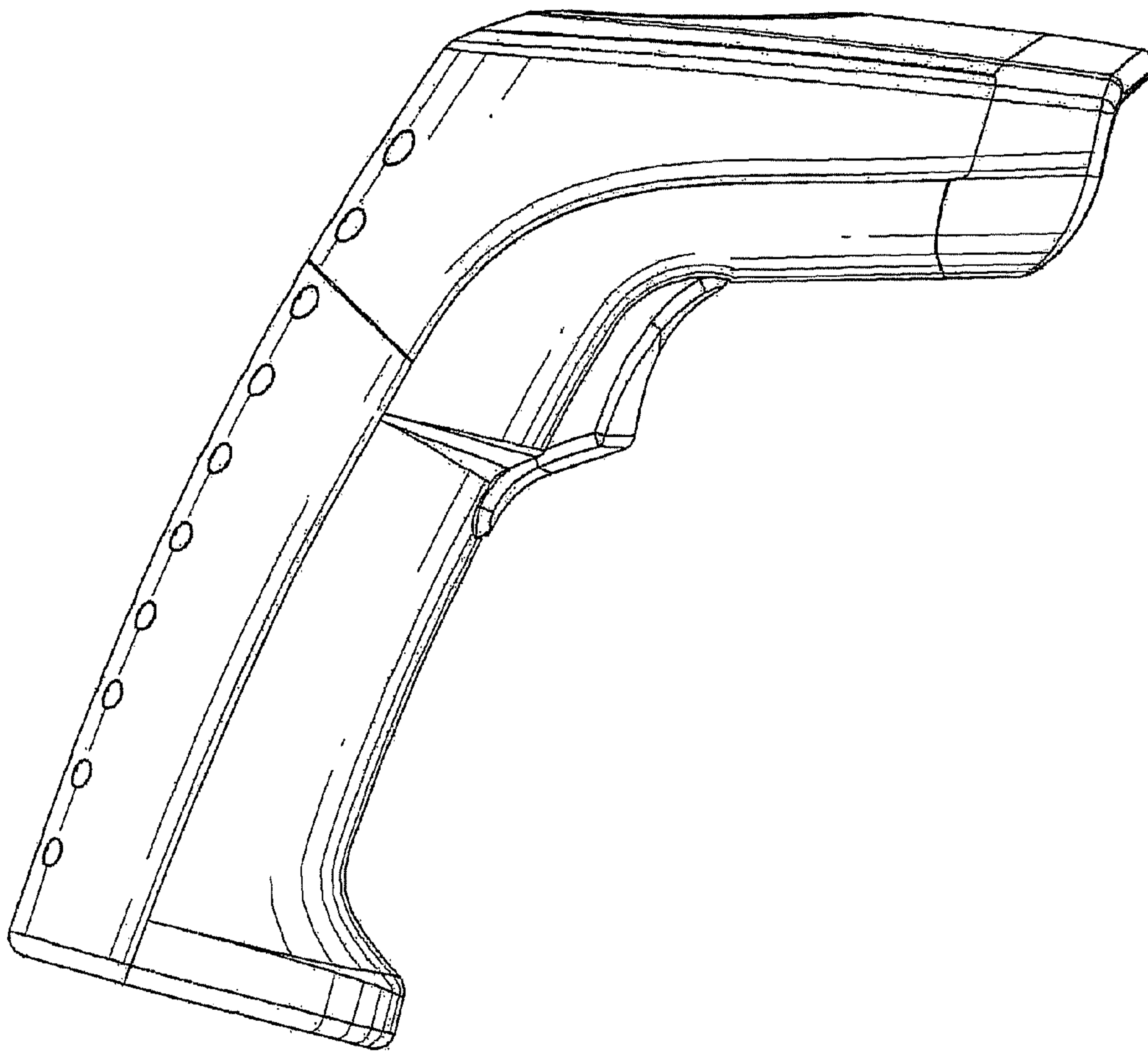


FIG. 4



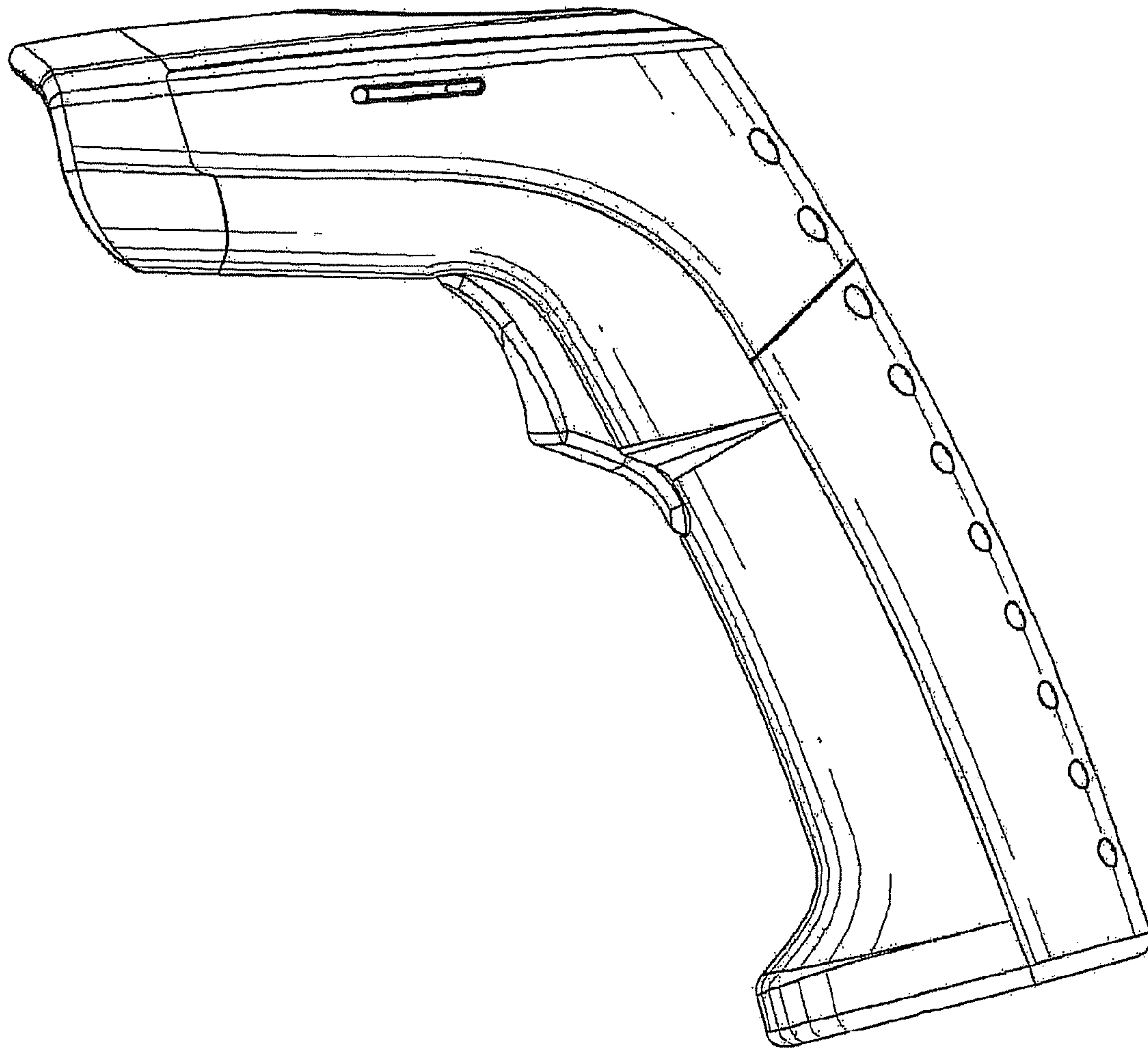


FIG. 5

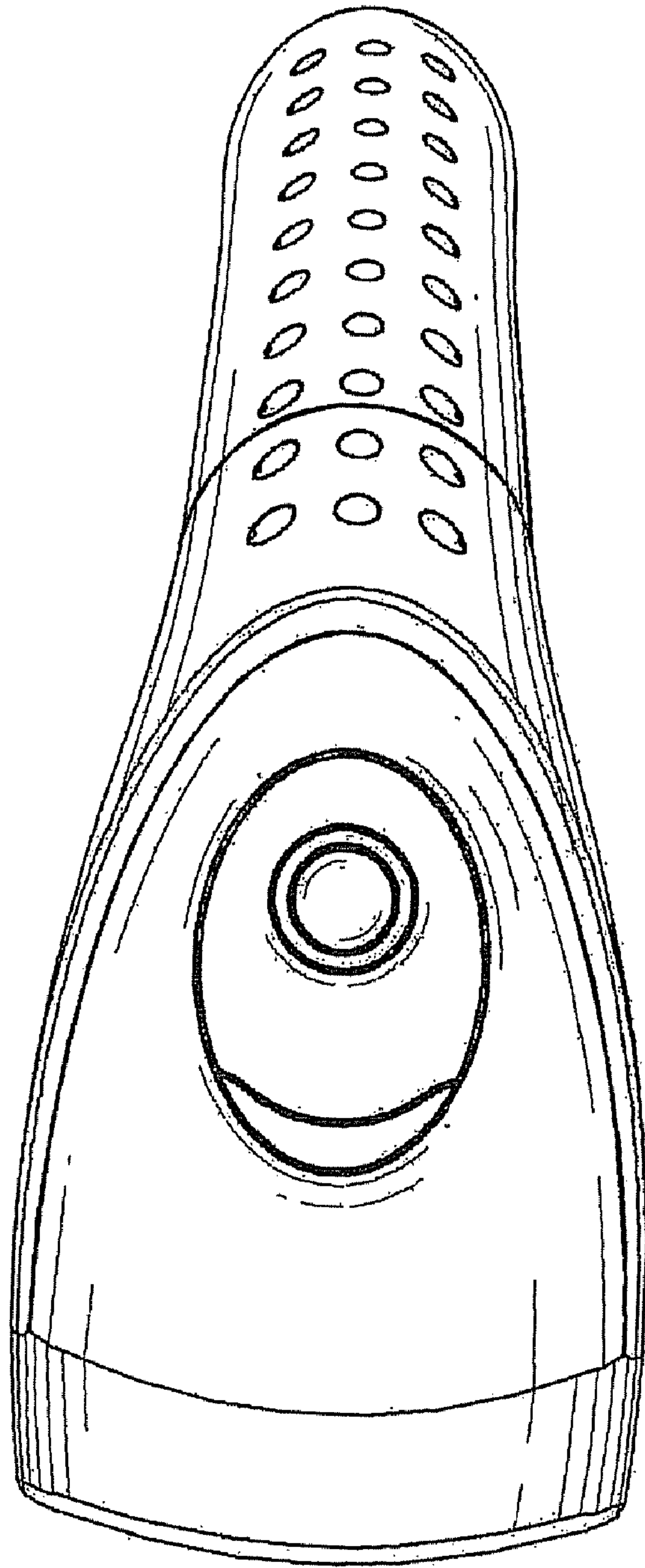


FIG. 6

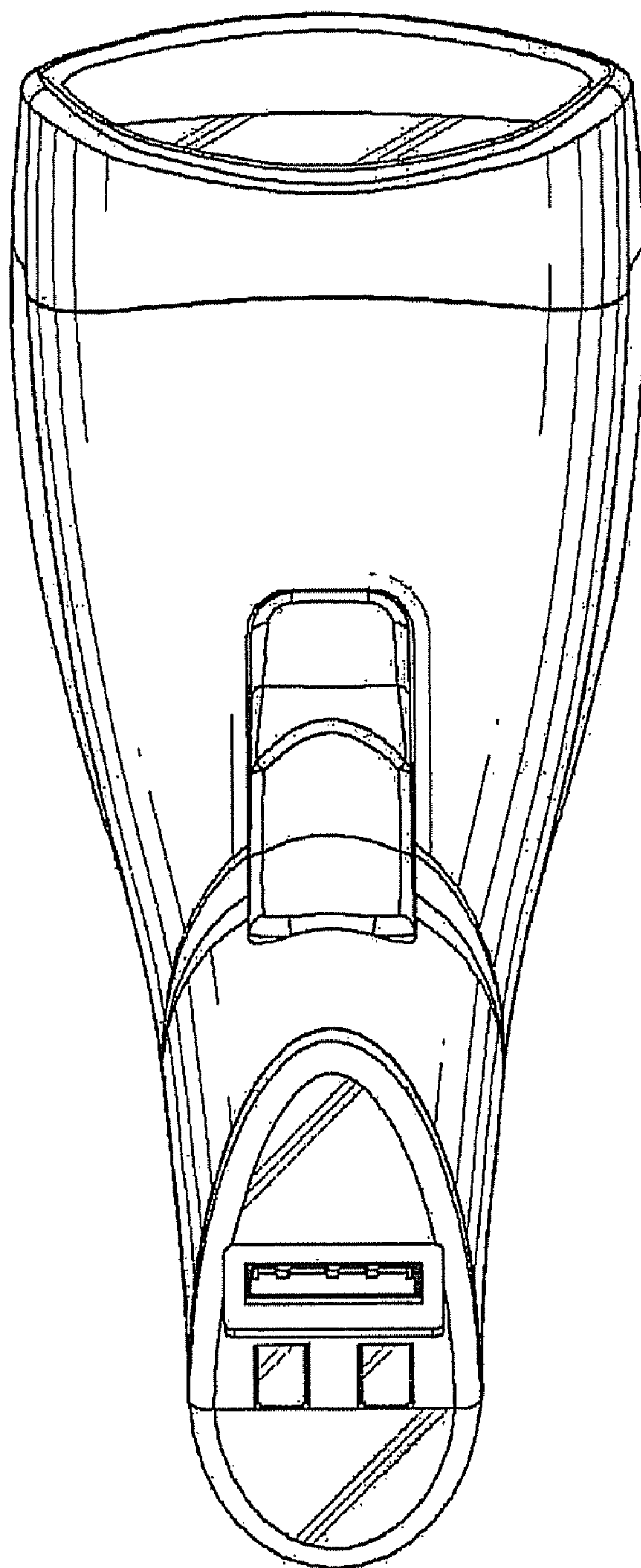


FIG. 7