

US00D566712S

(12) **United States Design Patent** (10) **Patent No.:** **US D566,712 S**
Ah (45) **Date of Patent:** **** Apr. 15, 2008**

(54) **PORTABLE BAR CODE READER**

(75) Inventor: **Hyun-Woo Ah**, Seoul (KR)

(73) Assignee: **Bluebird Soft** (KR)

(**) Term: **14 Years**

(21) Appl. No.: **29/281,148**

(22) Filed: **Jun. 15, 2007**

(30) **Foreign Application Priority Data**

Dec. 15, 2006 (KR) 30-2006-0049967

(51) **LOC (8) Cl.** **14-02**

(52) **U.S. Cl.** **D14/426**

(58) **Field of Classification Search** D14/420,
D14/426-430, 453, 346, 341, 347, 412, 138;
D13/107, 184; 358/473; 235/462.43, 462.45,
235/462.47, 462.48, 462.44, 462.46, 487,
235/472.01, 472.02, 145 A, 145 R; D10/78;
324/426; D3/273; 710/73; D18/7; 361/679;
382/313, 321; 455/575.1, 561, 572; 345/156,
345/168, 169, 172, 173, 87

See application file for complete search history.

(56) **References Cited**

U.S. PATENT DOCUMENTS

4,260,979 A * 4/1981 Smith 382/313
D295,416 S * 4/1988 Glaberson D14/422
D297,431 S * 8/1988 Beard et al. D14/431
5,231,293 A * 7/1993 Longacre, Jr. 235/462.45
D342,256 S * 12/1993 Payne et al. D14/218
D343,829 S * 2/1994 Okuda et al. D14/426
D352,939 S * 11/1994 Karlin D14/426

5,428,212 A * 6/1995 Tani et al. 235/472.01
D361,564 S * 8/1995 Inaba D14/426
D383,735 S * 9/1997 Privitera et al. D14/420
5,767,500 A * 6/1998 Cordes et al. 235/462.47
5,852,288 A * 12/1998 Nakazawa et al. 235/472.01
6,073,852 A * 6/2000 Seo 235/472.01
D474,414 S * 5/2003 Ikeda et al. D10/78
6,749,121 B2 * 6/2004 Connolly et al. 235/472.01
7,014,114 B2 * 3/2006 Maiman 235/454
7,243,850 B2 * 7/2007 Tamburrini et al. 235/462.45
2003/0141370 A1 * 7/2003 Hamilton et al. 235/462.45
2004/0149829 A1 * 8/2004 Boucher et al. 235/462.43

* cited by examiner

Primary Examiner—Melanie Tung

Assistant Examiner—Susan Moon Lee

(74) *Attorney, Agent, or Firm*—Cantor Colburn LLP

(57) **CLAIM**

I claim the ornamental design for a portable bar code reader, as shown and described.

DESCRIPTION

FIG. 1 is a top and front perspective view of portable bar code reader showing my new design;

FIG. 2 is a greatly enlarged front elevation view thereof;

FIG. 3 is a greatly enlarged rear elevation view thereof;

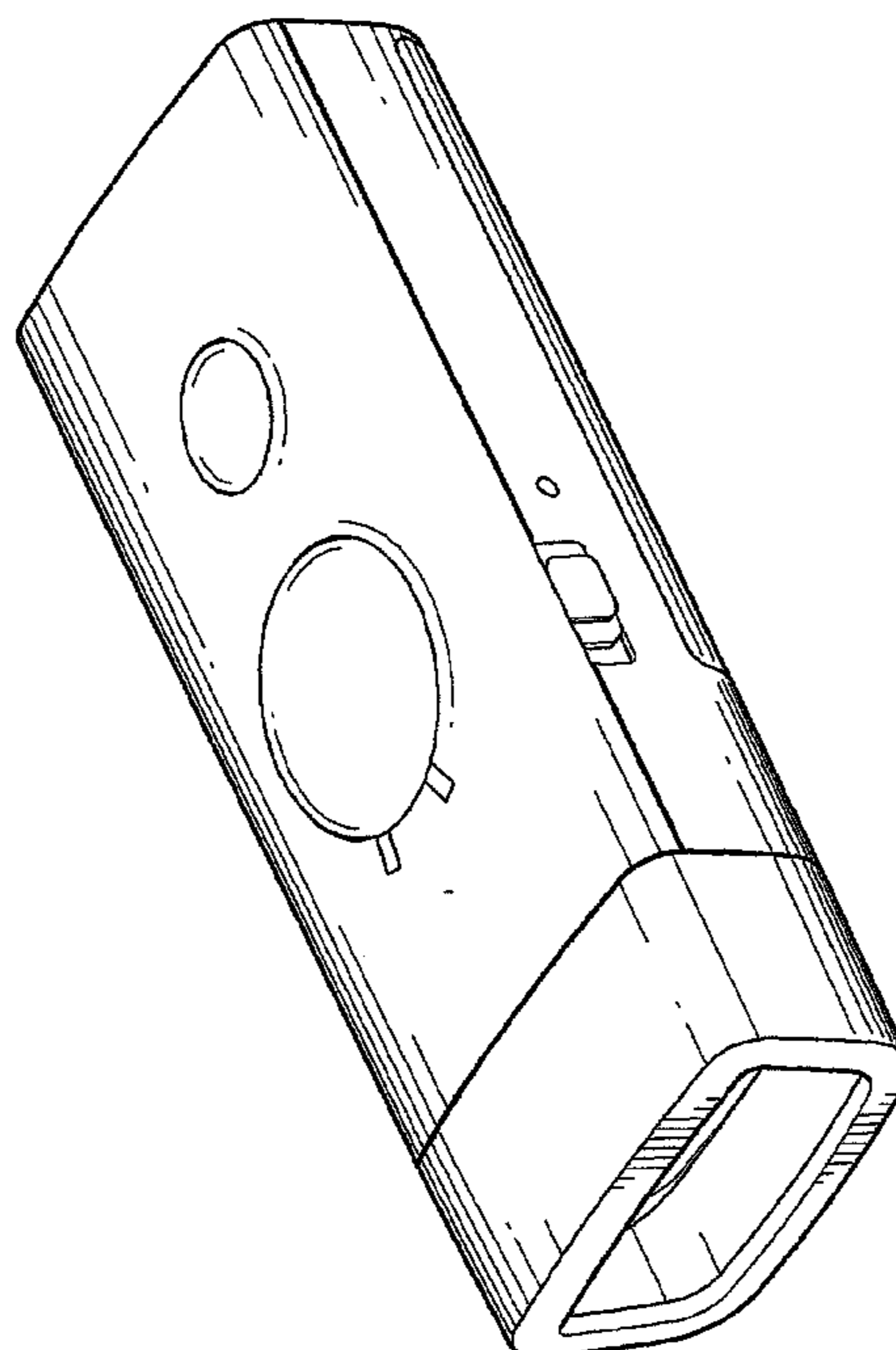
FIG. 4 is an enlarged left side elevation view thereof;

FIG. 5 is an enlarged right side elevation view thereof;

FIG. 6 is an enlarged top view thereof; and,

FIG. 7 is an enlarged bottom view thereof.

1 Claim, 7 Drawing Sheets



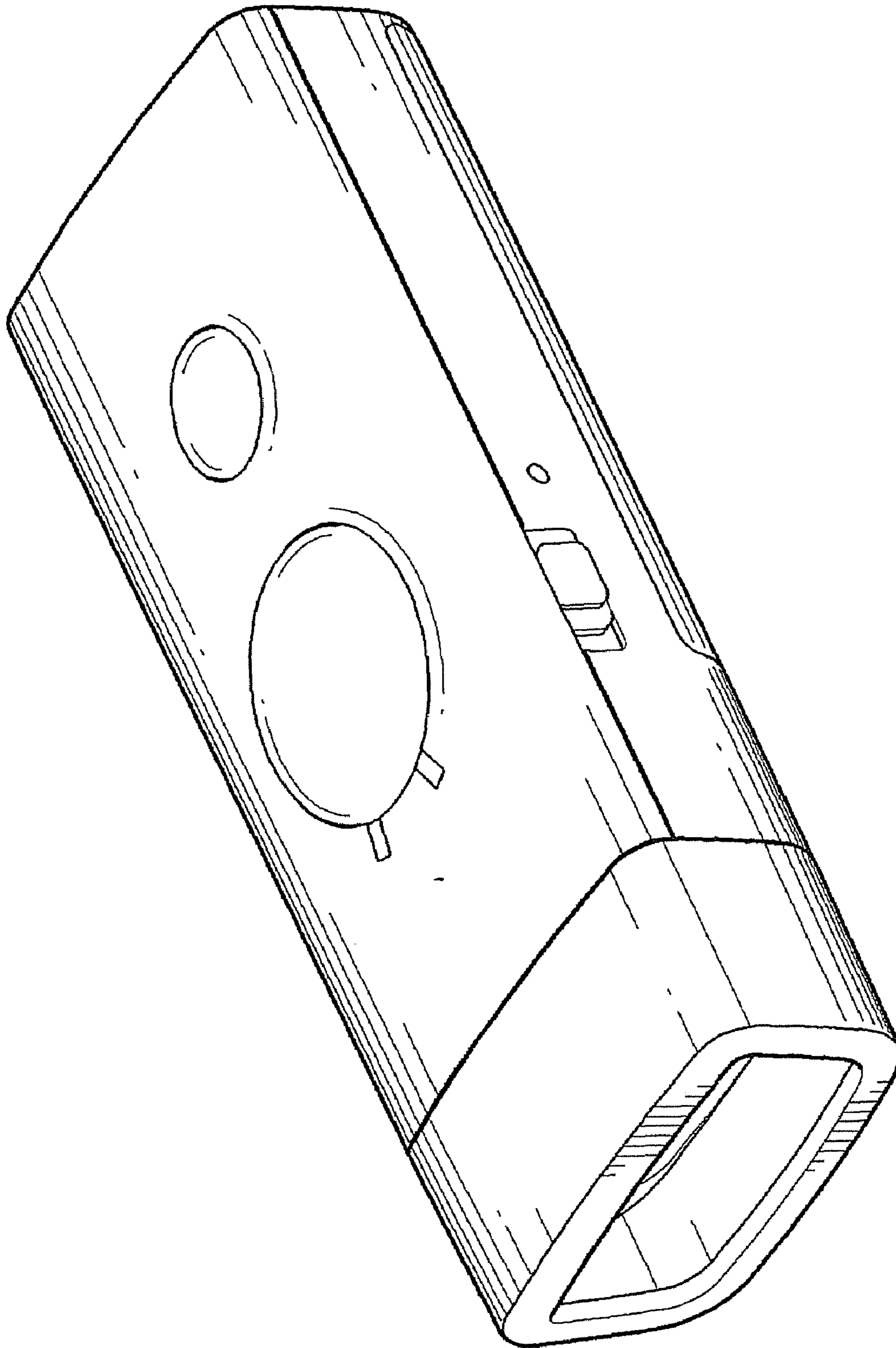


FIG. 1

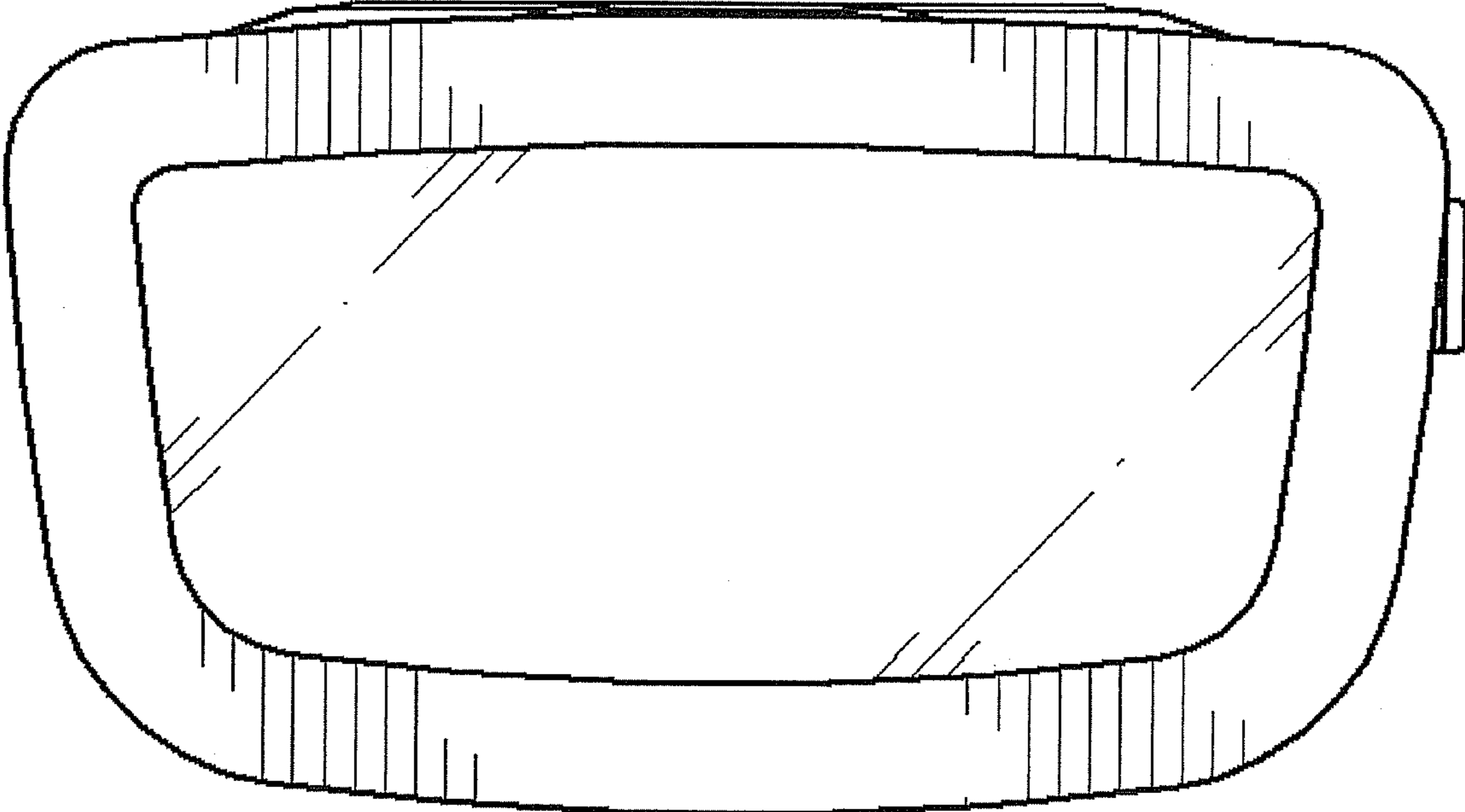


FIG. 2

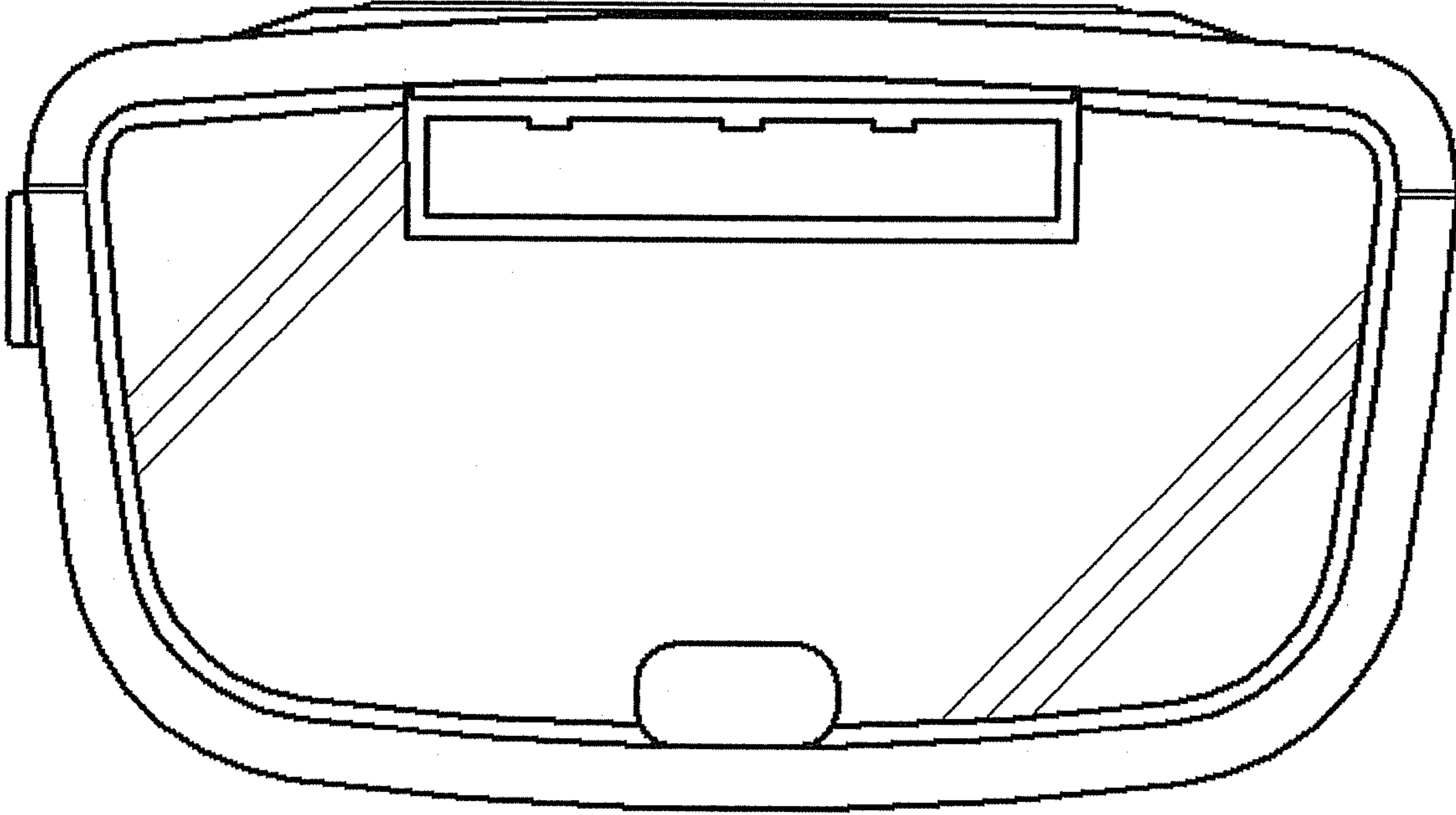


FIG. 3

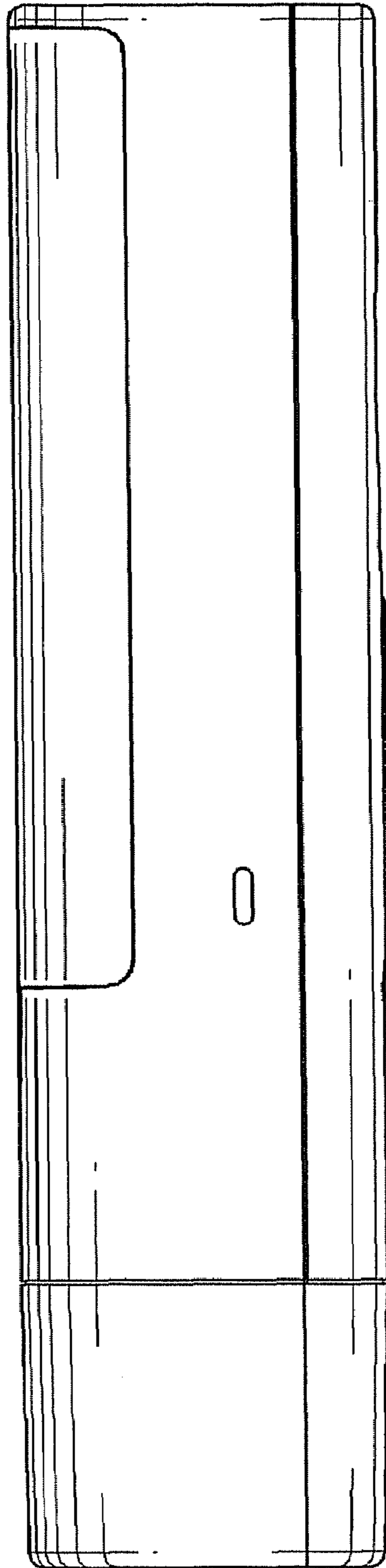


FIG. 4

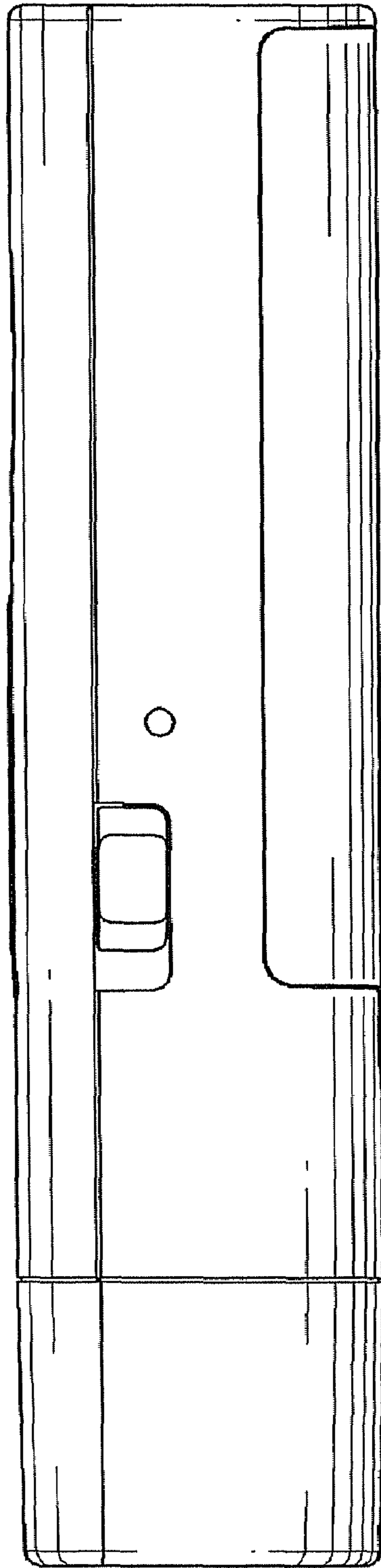


FIG. 5

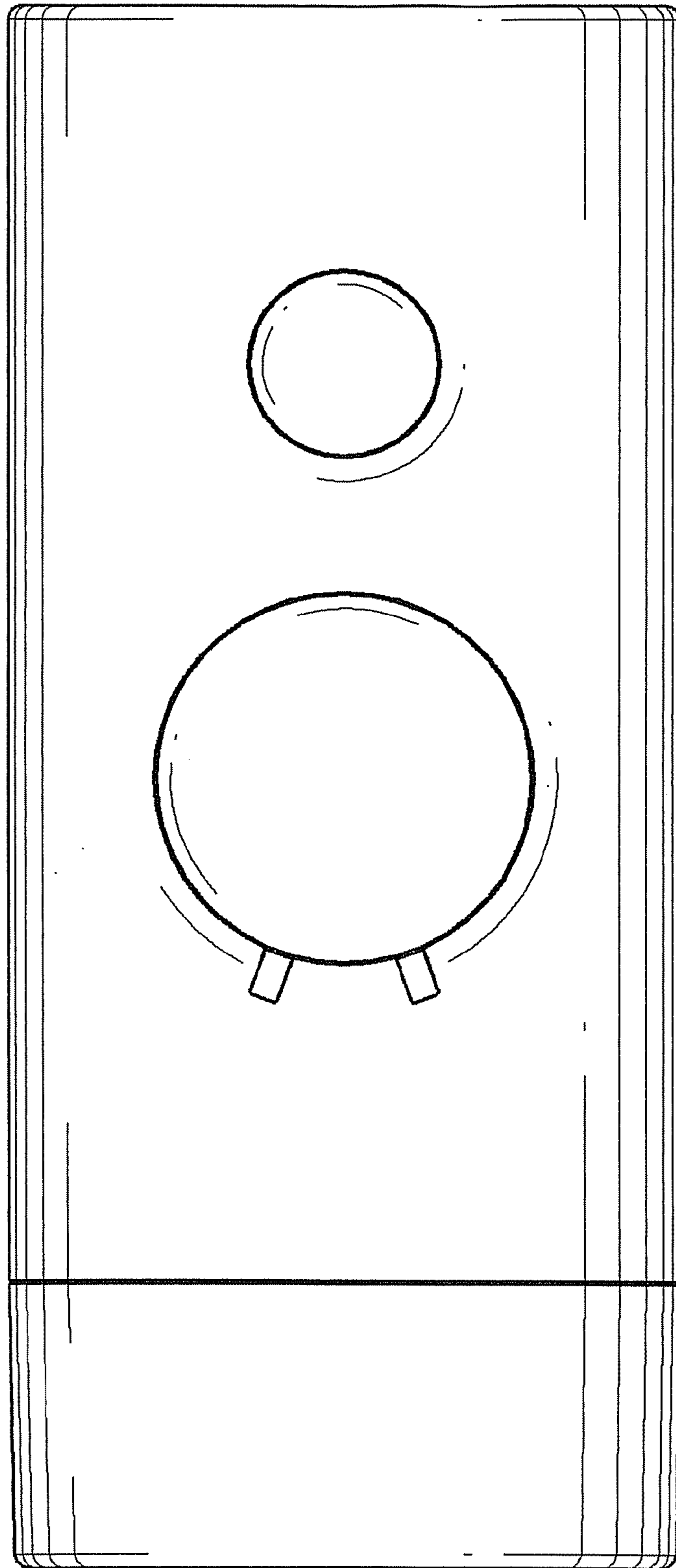


FIG. 6

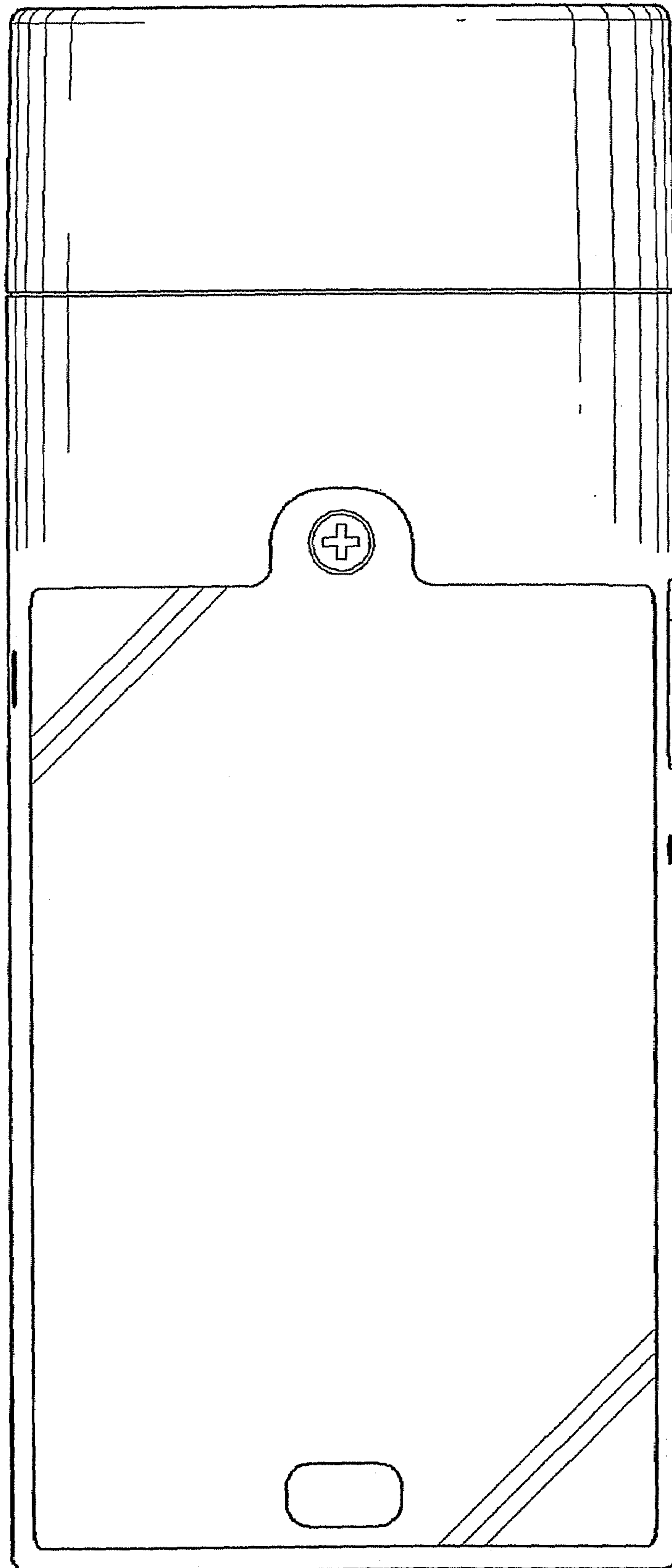


FIG. 7