



US00D566709S

(12) **United States Design Patent**
Kim

(10) **Patent No.:** **US D566,709 S**

(45) **Date of Patent:** **** Apr. 15, 2008**

(54) **STORAGE DEVICE**

(75) Inventor: **Hyekyung (Sophia) Kim**, Lathrop, CA (US)

(73) Assignee: **Micron Technology, Inc.**, Boise, ID (US)

(**) Term: **14 Years**

(21) Appl. No.: **29/285,140**

(22) Filed: **Mar. 22, 2007**

(51) **LOC (8) Cl.** **14-02**

(52) **U.S. Cl.** **D14/356**

(58) **Field of Classification Search** D14/436,
D14/411, 384-5, 518, 348, 432-435, 299,
D14/167, 402, 242, 356, 496, 156, 240; 439/518,
439/139, 141, 144, 140, 638; 365/63; 710/74,
710/62; 361/684, 385-6; 257/315
See application file for complete search history.

(56) **References Cited**

U.S. PATENT DOCUMENTS

D269,088 S *	5/1983	Genaro et al.	D14/137
D475,359 S *	6/2003	Hirose	D14/167
6,618,243 B1 *	9/2003	Tirosh	361/683
6,758,688 B2 *	7/2004	Chen	439/135
D494,175 S *	8/2004	Kawasaki	D14/384
6,779,067 B2 *	8/2004	Shelton et al.	710/300
6,926,544 B2 *	8/2005	Lee	439/147
D520,996 S *	5/2006	Deng	D14/356
D524,038 S *	7/2006	Leung	D3/208
D537,820 S *	3/2007	Hsu	D14/356
2007/0063249 A1 *	3/2007	Rambosek et al.	257/315

OTHER PUBLICATIONS

U.S. Appl. No. 11/714,314, filed Mar. 6, 2007, Kim, Hyekyung (Sophia).

* cited by examiner

Primary Examiner—Robin V. Webster

Assistant Examiner—Karen E Kearney

(74) *Attorney, Agent, or Firm*—Leffert, Jay & Polglaze P.A.

(57) **CLAIM**

The ornamental design for a storage device, as shown and described.

DESCRIPTION

FIG. 1 is a front perspective view of a storage device showing the memory module portion removed from the cover portion for clarity;

FIG. 2 is a top view of FIG. 1;

FIG. 3 is a bottom view of FIG. 1;

FIG. 4 is a rear view of FIG. 1;

FIG. 5 is a left-side view of FIG. 1, the right-side view being a mirror image thereof;

FIG. 6 is a front view of FIG. 1;

FIG. 7 is a front perspective view of the storage device showing the rear end of the memory module portion inserted in the cover portion;

FIG. 8 is a top view of FIG. 7, the bottom view being a mirror image thereof;

FIG. 9 is a rear view of FIG. 7;

FIG. 10 is a left-side view of FIG. 7, the right-side view being a mirror image thereof;

FIG. 11 is a front view of FIG. 7;

FIG. 12 is a rear perspective view of the storage device showing the front end of the memory module portion inserted in the cover portion;

FIG. 13 is a top view of FIG. 12;

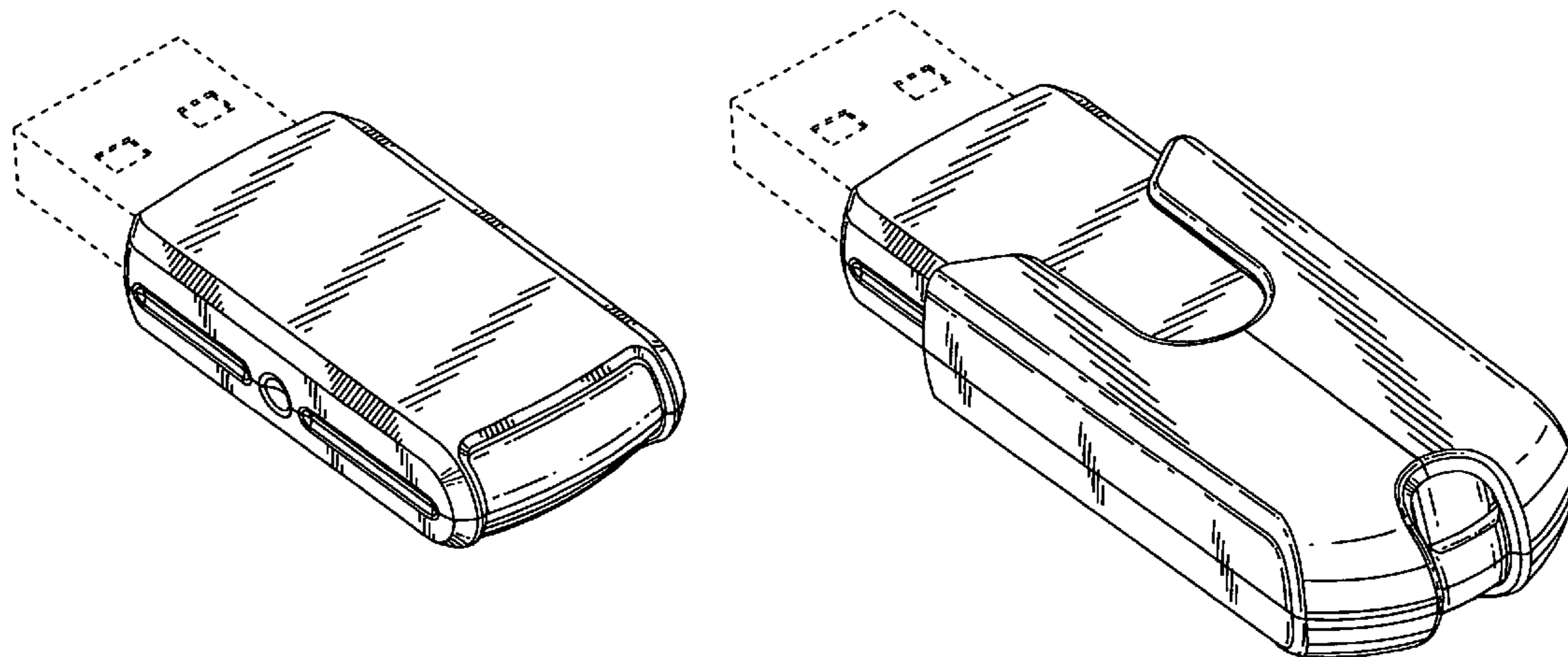
FIG. 14 is a bottom view of FIG. 12;

FIG. 15 is a rear view of FIG. 12; and,

FIG. 16 is a right-side view of FIG. 12, the left-side view being a mirror image thereof.

The broken line showing of the USB connector is included for the purpose of illustrating environmental structure and forms no part of the claimed design.

1 Claim, 9 Drawing Sheets



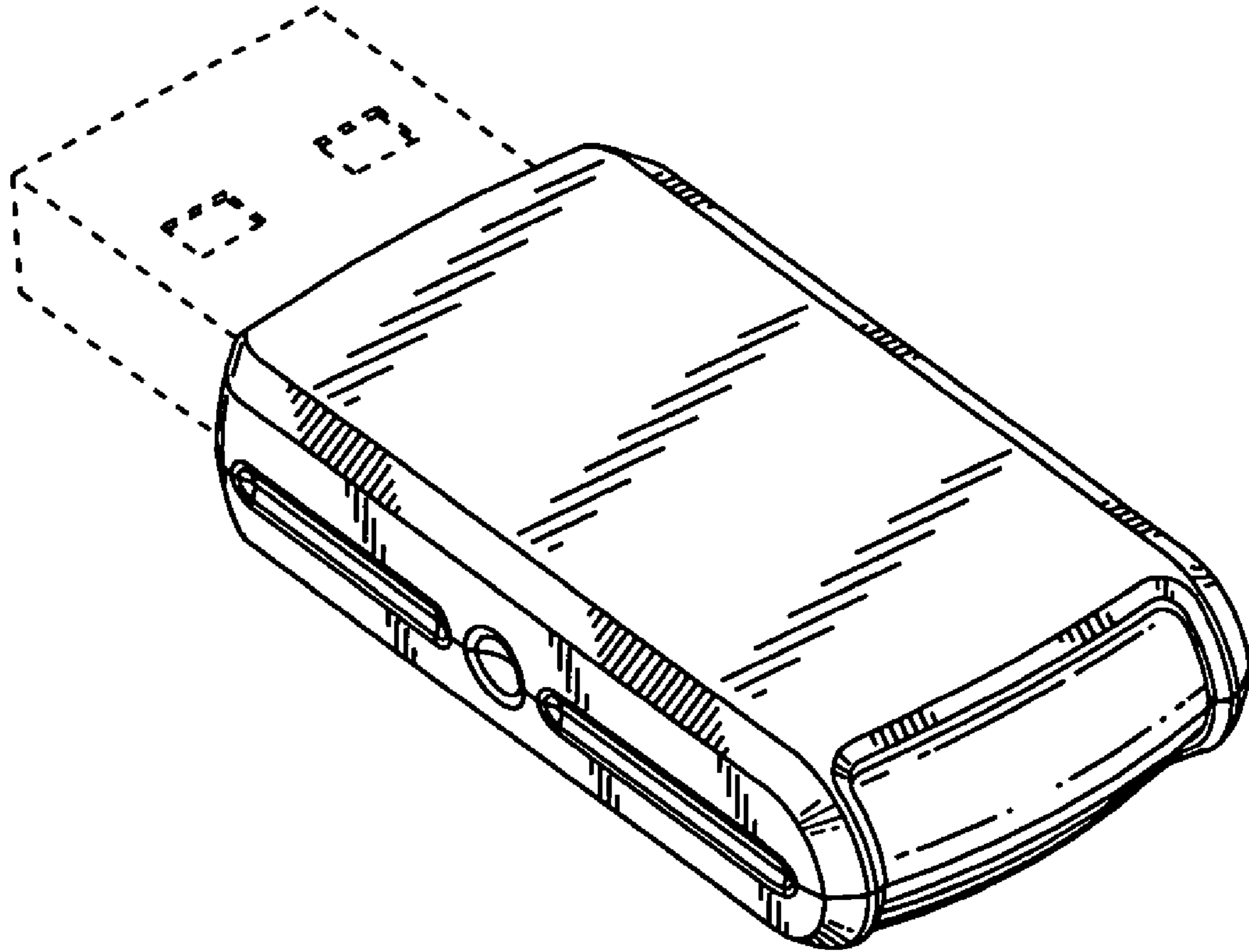


FIG. 1

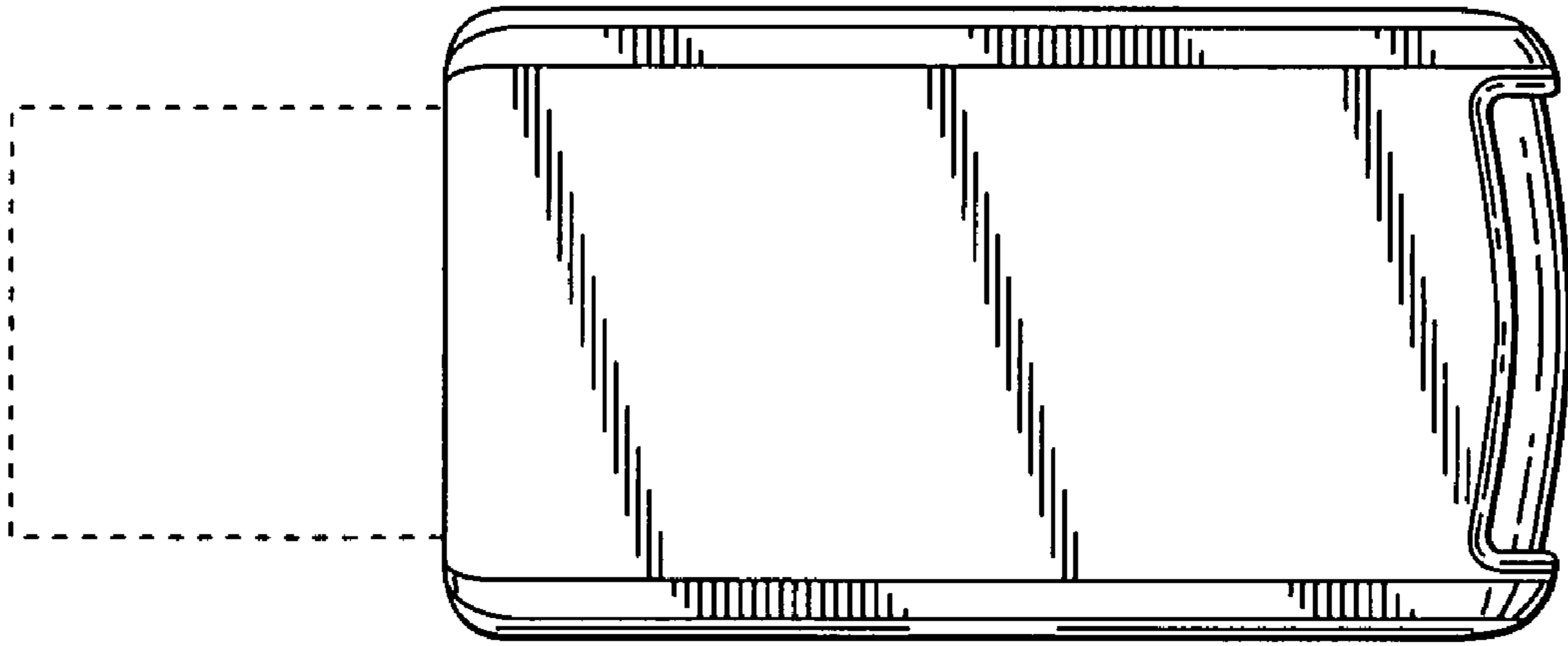


FIG. 2

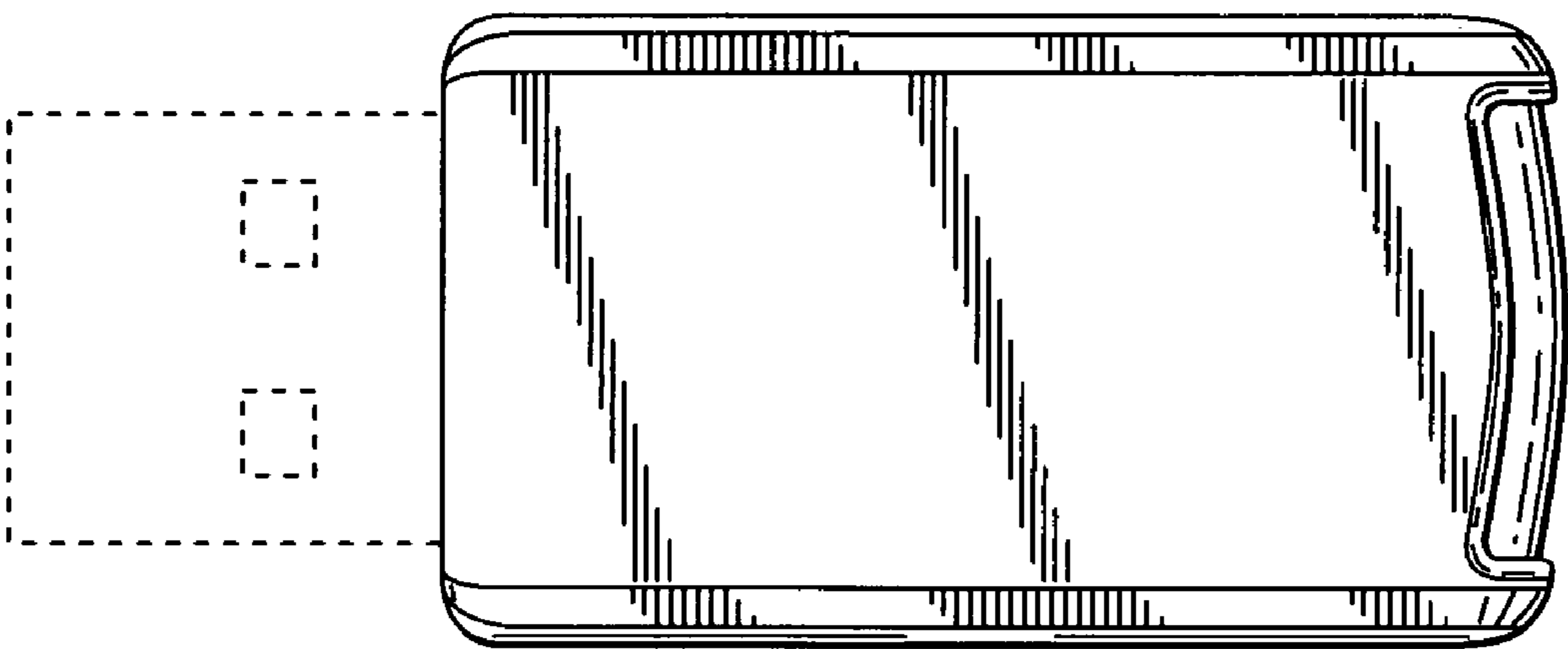


FIG. 3

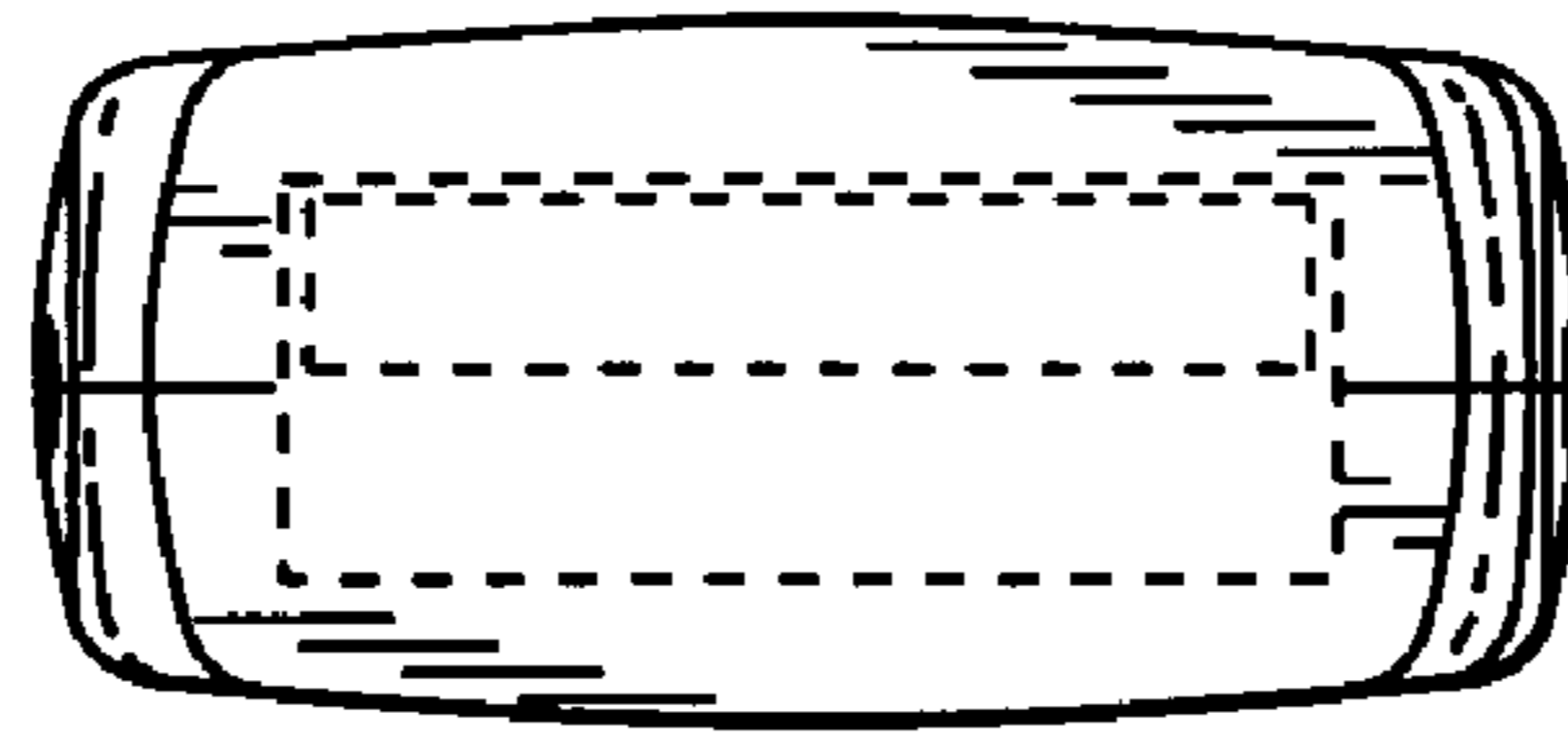


FIG. 4

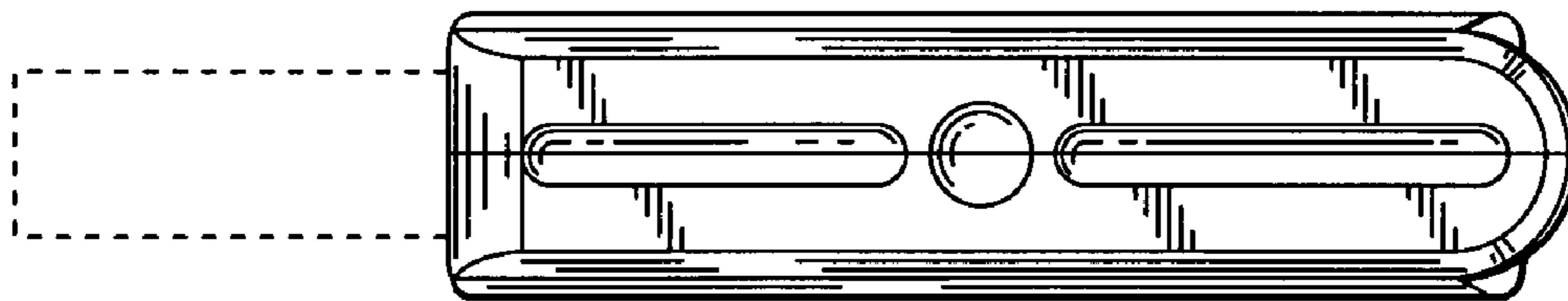


FIG. 5

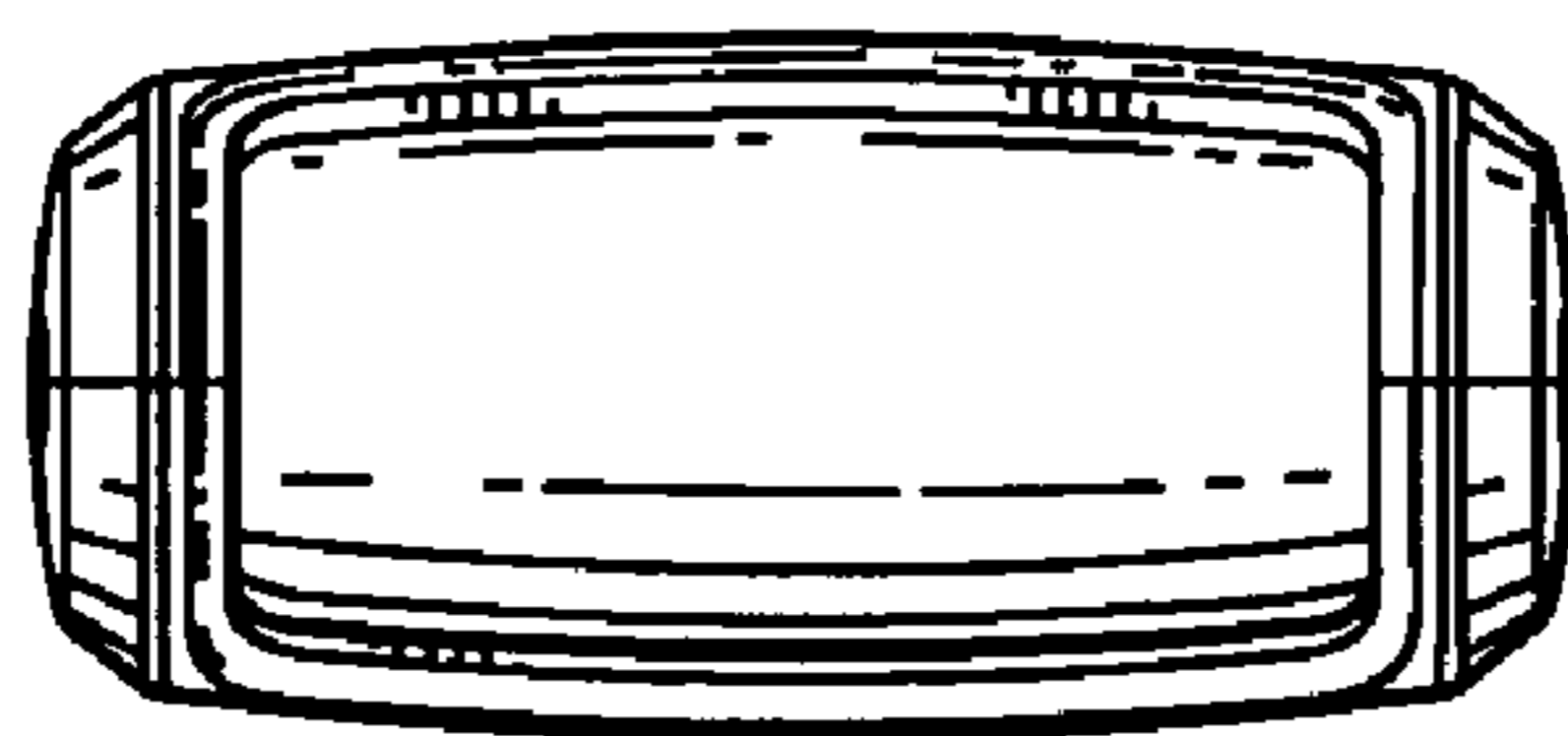


FIG. 6

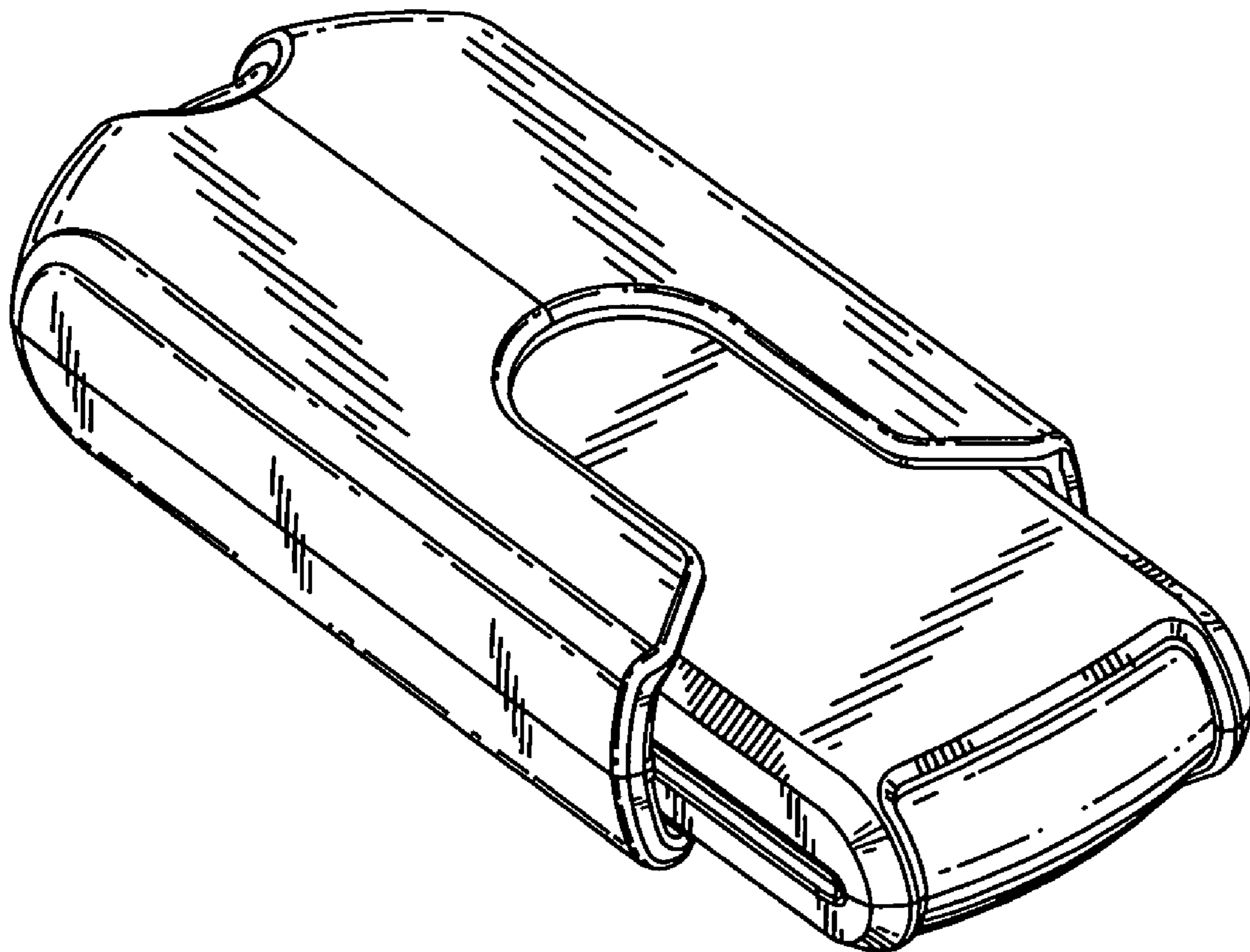


FIG. 7

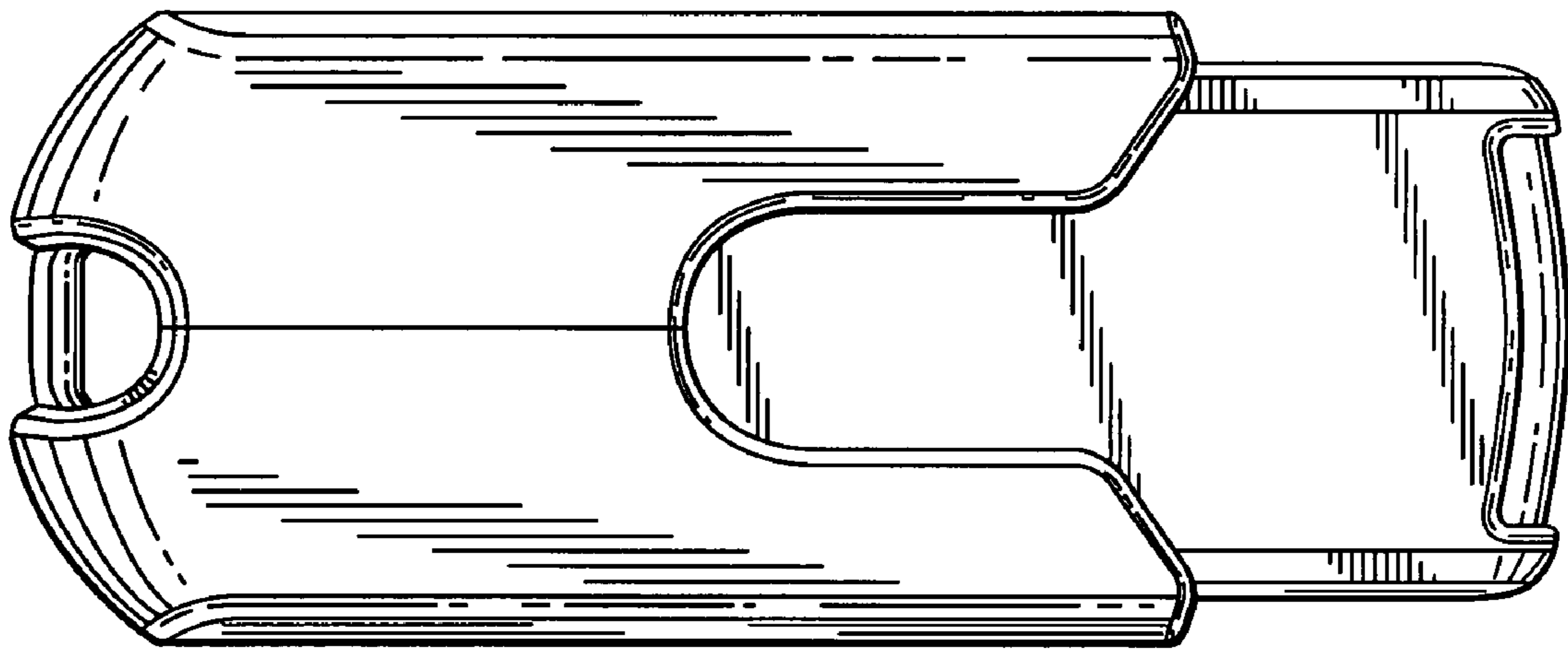


FIG. 8

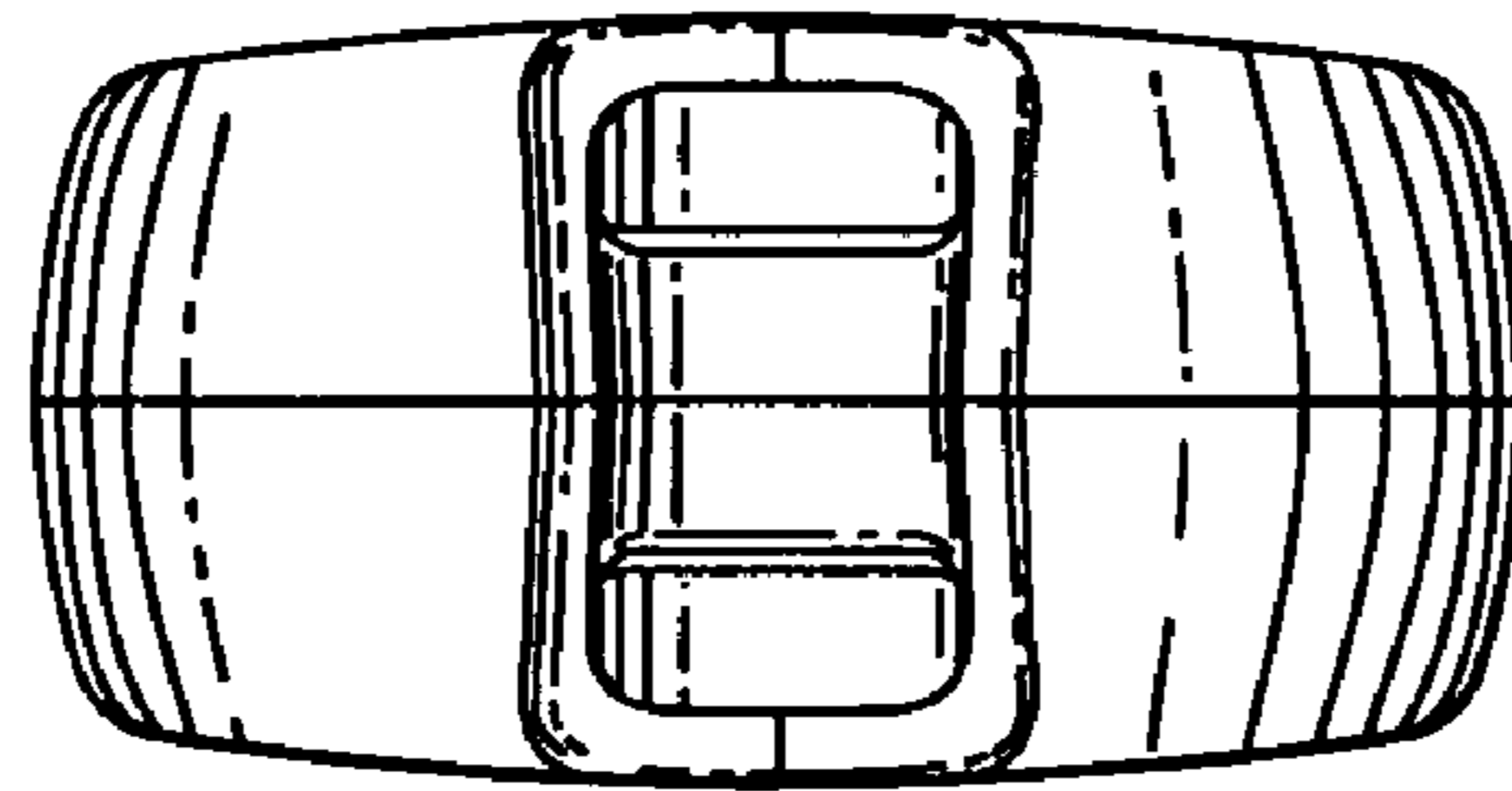


FIG. 9

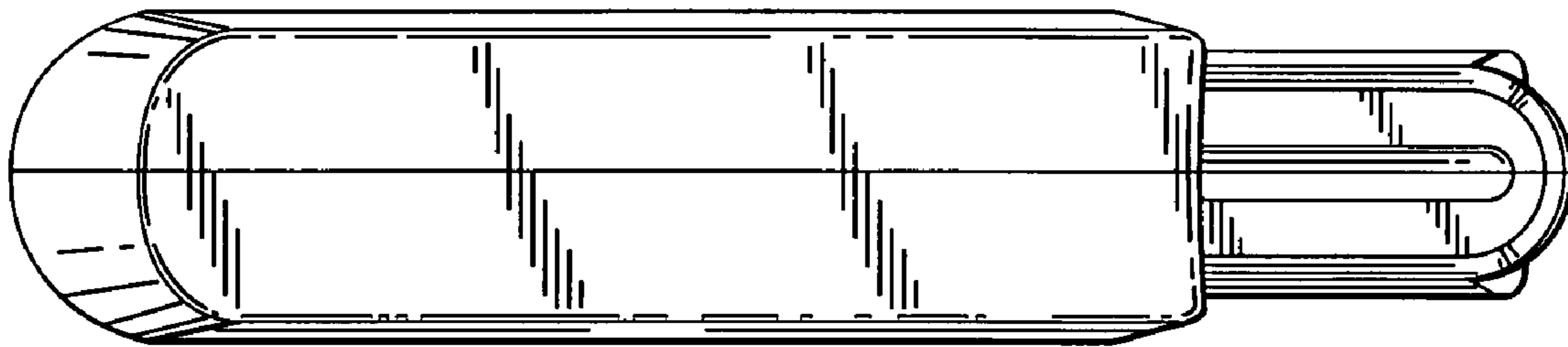


FIG. 10



FIG. 11

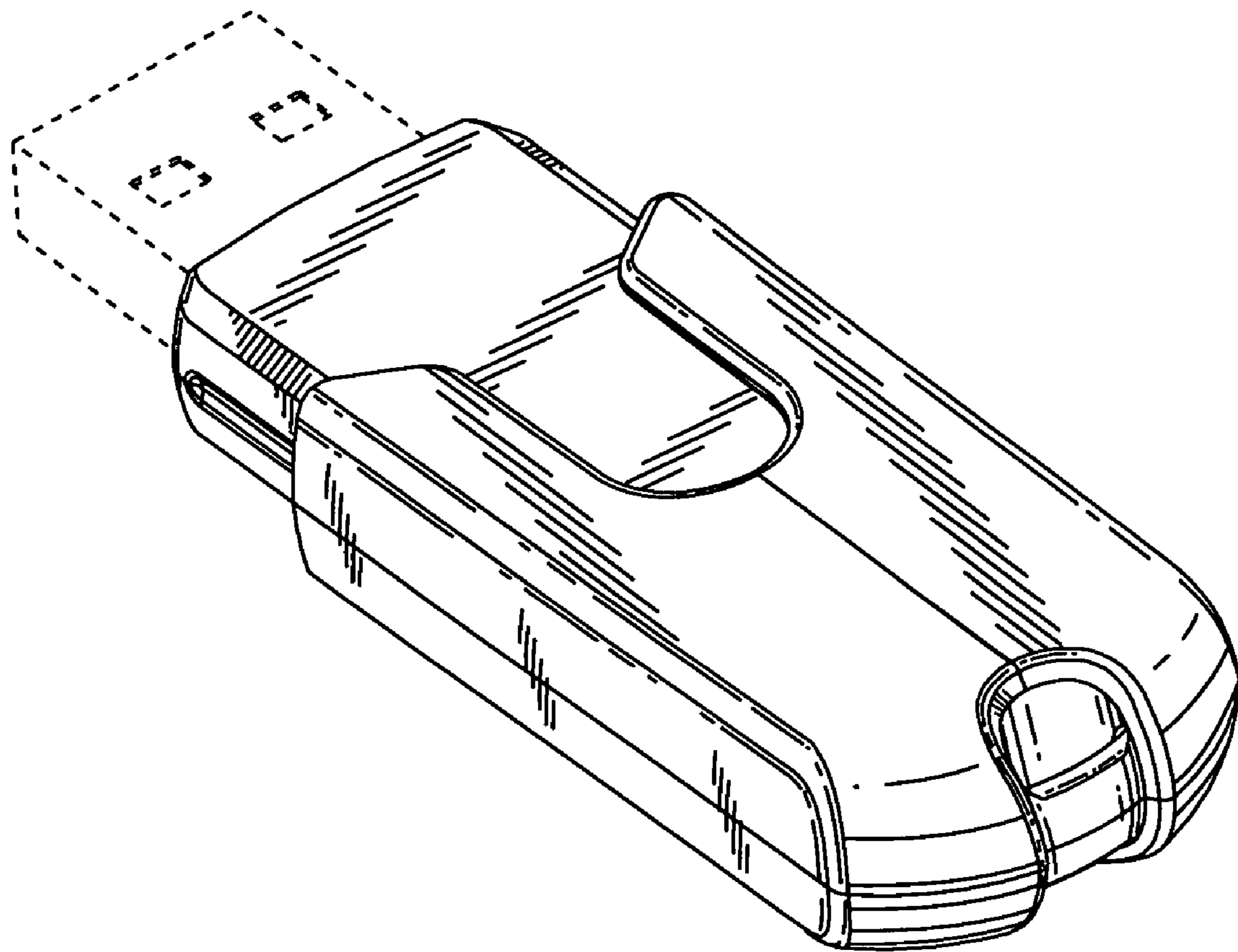


FIG. 12

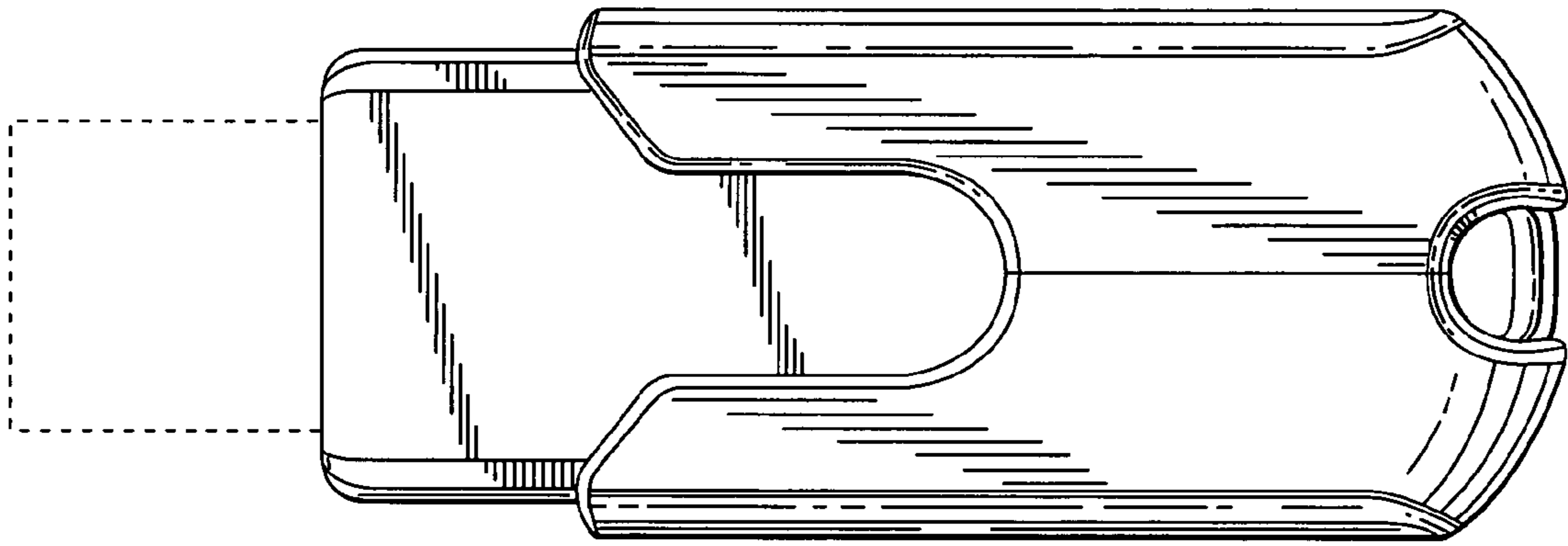


FIG. 13

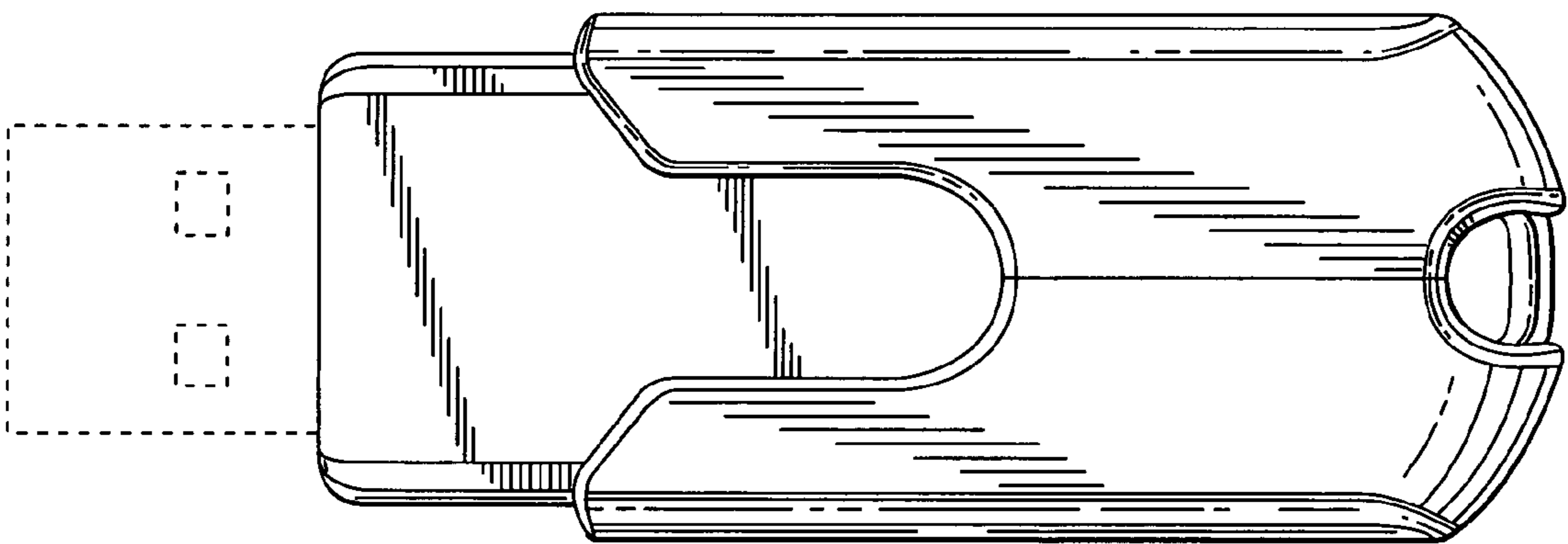


FIG. 14

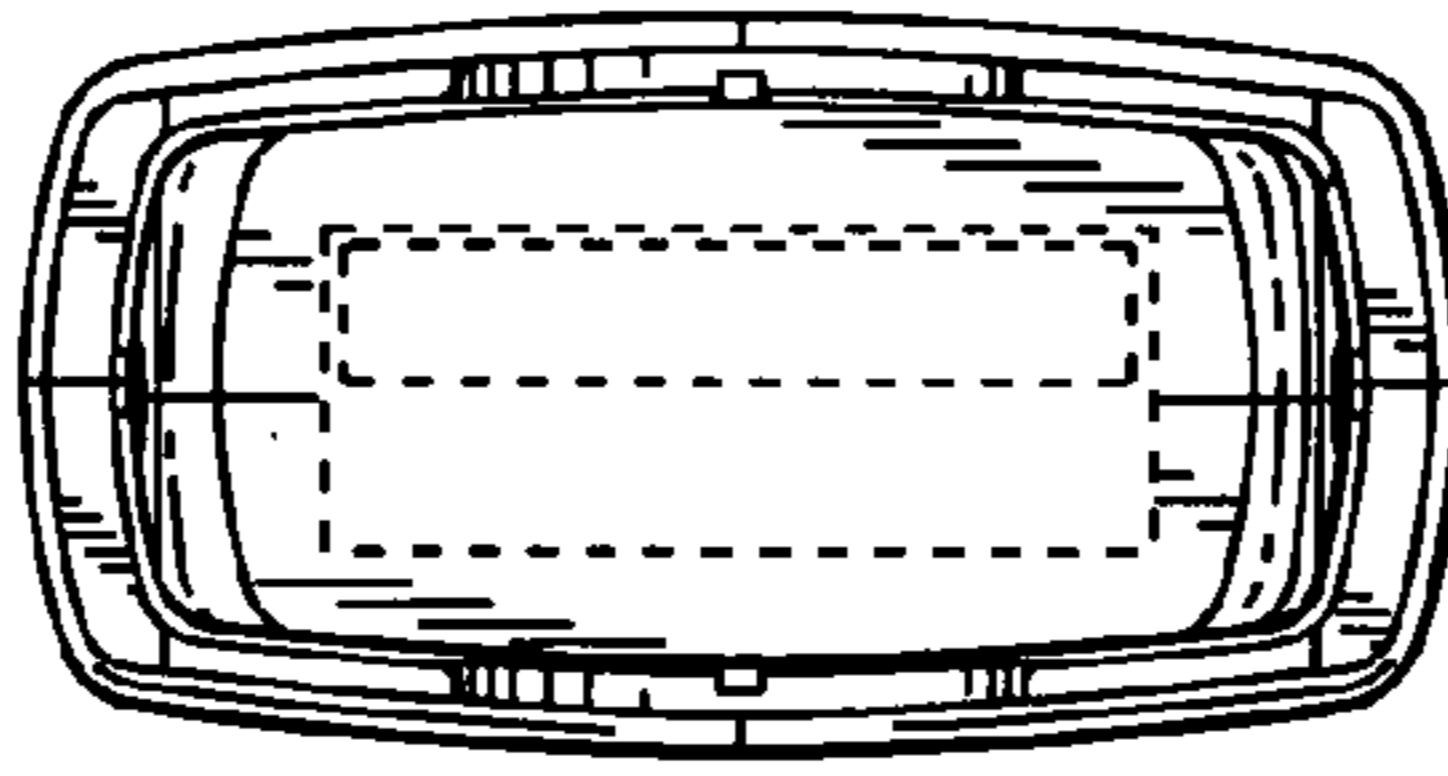


FIG. 15



FIG. 16