

US00D566706S

(12) **United States Design Patent** (10) **Patent No.:** **US D566,706 S**
Andre et al. (45) **Date of Patent:** **** Apr. 15, 2008**

(54) **HANDHELD PORTABLE COMPUTING DEVICE**
 (75) Inventors: **Bartley K. Andre**, Menlo Park, CA (US); **Daniel J. Coster**, San Francisco, CA (US); **Daniele De Iuliis**, San Francisco, CA (US); **Richard P. Howarth**, San Francisco, CA (US); **Jonathan P. Ive**, San Francisco, CA (US); **Steve Jobs**, Palo Alto, CA (US); **Duncan Robert Kerr**, San Francisco, CA (US); **Shin Nishibori**, San Francisco, CA (US); **Matthew Dean Rohrbach**, San Francisco, CA (US); **Douglas B. Satzger**, Menlo Park, CA (US); **Calvin Q. Seid**, Palo Alto, CA (US); **Christopher J. Stringer**, Portola Valley, CA (US); **Eugene Antony Whang**, San Francisco, CA (US); **Rico Zorkendorfer**, San Francisco, CA (US)

(73) Assignee: **Apple Inc.**, Cupertino, CA (US)

(**) Term: **14 Years**

(21) Appl. No.: **29/281,810**

(22) Filed: **Jul. 2, 2007**

Related U.S. Application Data

(62) Division of application No. 29/237,232, filed on Aug. 24, 2005, now Pat. No. Des. 553,129.

(51) **LOC (8) Cl.** **14-02**

(52) **U.S. Cl.** **D14/341; D14/496**

(58) **Field of Classification Search** D14/341-346, D14/496, 138, 156; D18/1, 2, 7, 11; 341/22, 341/23; 345/168, 160, 163; 455/556.1, 455/575.5, 2.01; 434/350

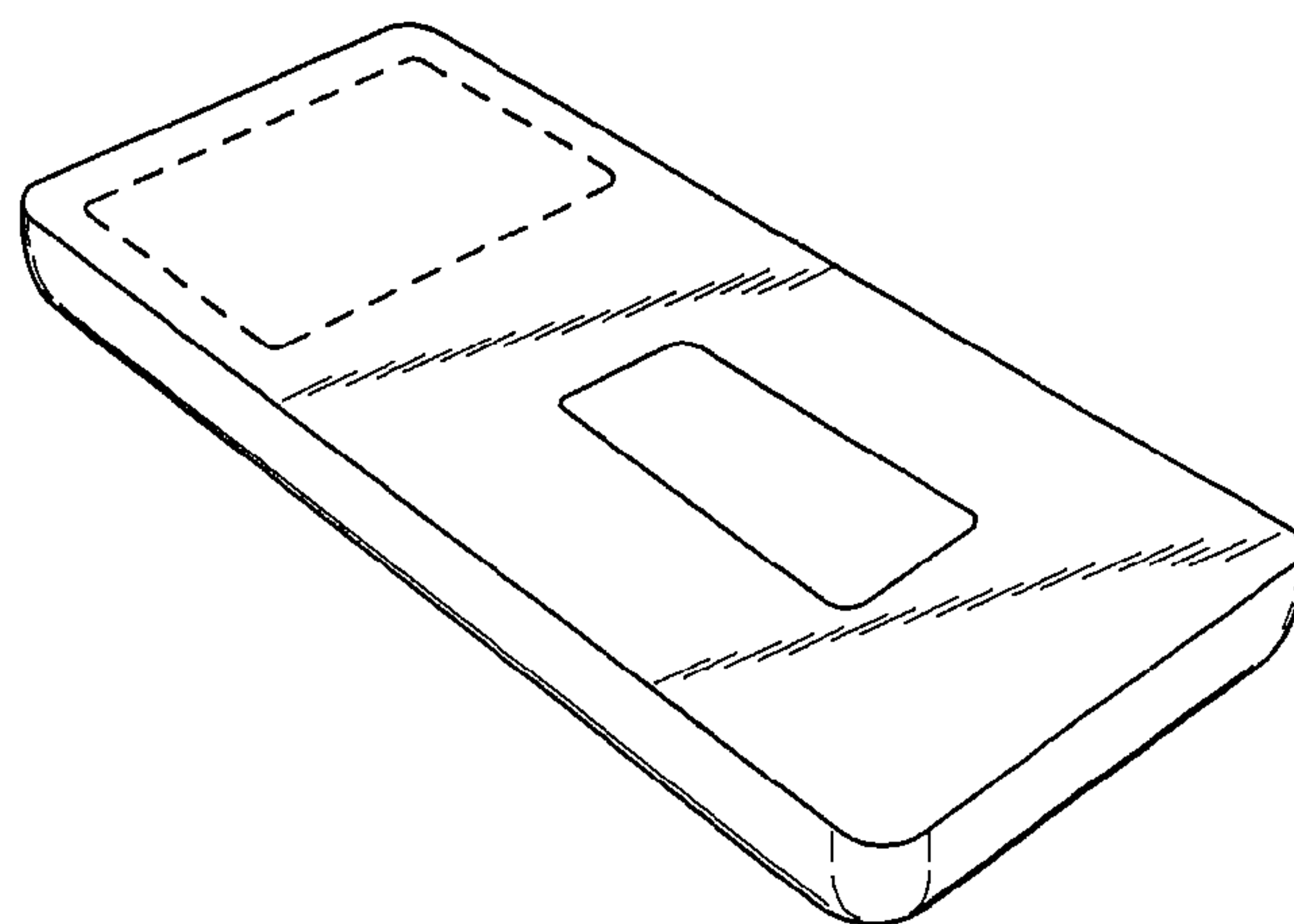
See application file for complete search history.

(56) **References Cited**

U.S. PATENT DOCUMENTS

D264,969 S 6/1982 McGourty
 4,976,435 A 12/1990 Shatford et al.

5,192,082 A 3/1993 Inoue et al.
 5,661,632 A 8/1997 Register
 D412,940 S 8/1999 Kato et al.
 5,964,661 A 10/1999 Dodge
 D425,885 S 5/2000 Amron
 D430,169 S 8/2000 Scibora
 6,122,526 A 9/2000 Parulski et al.
 D432,523 S 10/2000 Grinkus et al.
 D437,860 S 2/2001 Suzuki et al.
 6,227,966 B1 5/2001 Yokoi
 6,254,477 B1 7/2001 Sasaki et al.
 6,262,785 B1 7/2001 Kim
 D448,810 S 10/2001 Goto
 D450,713 S 11/2001 Masamitsu et al.
 6,314,483 B1 11/2001 Goto et al.
 D452,250 S 12/2001 Chan
 D455,793 S 4/2002 Lin
 D468,365 S 1/2003 Bransky et al.
 D469,109 S 1/2003 Andre et al.
 D472,245 S 3/2003 Andre et al.
 D473,207 S 4/2003 Tanio
 6,591,085 B1 7/2003 Grady
 D483,809 S 12/2003 Lim
 D486,813 S 2/2004 Chun
 D489,052 S 4/2004 Shiraki et al.
 D489,731 S 5/2004 Huang
 D490,068 S 5/2004 Chen
 D492,323 S 6/2004 Wang
 D492,691 S 7/2004 Kortis
 D494,188 S 8/2004 Huang
 D497,618 S 10/2004 Andre et al.
 D499,423 S 12/2004 Bahroocha et al.
 D499,424 S 12/2004 Bahroocha
 D506,476 S 6/2005 Andre et al.
 D507,003 S 7/2005 Pai et al.
 D507,277 S 7/2005 Sitoh
 6,920,344 B2 7/2005 Jang
 D509,833 S 9/2005 Yang
 D510,937 S 10/2005 Tsai
 D511,347 S 11/2005 Naruki
 D511,529 S 11/2005 Sassano
 D512,403 S 12/2005 Yang
 6,977,675 B2 12/2005 Kotzin
 D513,512 S 1/2006 Tsai
 D514,120 S 1/2006 Chan
 D514,121 S 1/2006 Johnson
 D514,589 S 2/2006 Chen
 D515,099 S 2/2006 Lee
 D515,546 S 2/2006 Mu



D516,576 S	3/2006	Ive et al.	
D517,088 S	3/2006	Chong et al.	
D518,290 S	4/2006	Andre et al.	
D519,523 S	4/2006	Chiu et al.	
D520,020 S	5/2006	Senda et al.	
7,046,230 B2	5/2006	Zadesky et al.	
D525,986 S	8/2006	Kim	
D538,820 S	3/2007	Andre et al.	
D541,297 S	4/2007	Andre et al.	
D541,298 S	4/2007	Andre et al.	
D541,299 S	4/2007	Andre et al.	
D542,306 S	5/2007	Andre et al.	
D542,808 S	5/2007	Andre et al.	
D548,744 S	8/2007	Andre et al.	
D548,745 S	8/2007	Andre et al.	
D548,746 S	8/2007	Andre et al.	
D548,747 S	8/2007	Andre et al.	
D549,237 S	8/2007	Andre et al.	
2003/0153263 A1 *	8/2003	Glass et al.	455/2.01
2004/0033478 A1 *	2/2004	Knowles et al.	434/350
2004/0224638 A1	11/2004	Fadell et al.	

OTHER PUBLICATIONS

U.S. Appl. No. 29/237,232, Andre et al., Handheld Portable Computing Device, filed Aug. 24, 2005.
 U.S. Appl. No. 29/237,225, Andre et al., Media Device, filed Aug. 24, 2005.

* cited by examiner

Primary Examiner—Freda S Nunn
(74) Attorney, Agent, or Firm—Sterne, Kessler, Goldstein & Fox P.L.L.C.

(57)

CLAIM

We claim the ornamental design for a handheld portable computing device, substantially as shown and described.

DESCRIPTION

FIG. 1 is a perspective view of a handheld portable computing device in accordance with the present design. The handheld portable computing device can, for example, be a media player, media storage device, cellular phone and/or the like.

FIG. 2 is a front view for the media device shown in FIG. 1.

FIG. 3 is a rear view for the media device shown in FIG. 1.

FIG. 4 is a top view for the media device shown in FIG. 1.

FIG. 5 is a bottom view for the media device shown in FIG. 1.

FIG. 6 is a right side view for the media device shown in FIG. 1; and,

FIG. 7 is a left side view for the media device shown in FIG. 1.

The user interface typically includes a display and an input means such as a navigation mechanism and selection mechanism. The display is shown in broken lines.

1 Claim, 2 Drawing Sheets

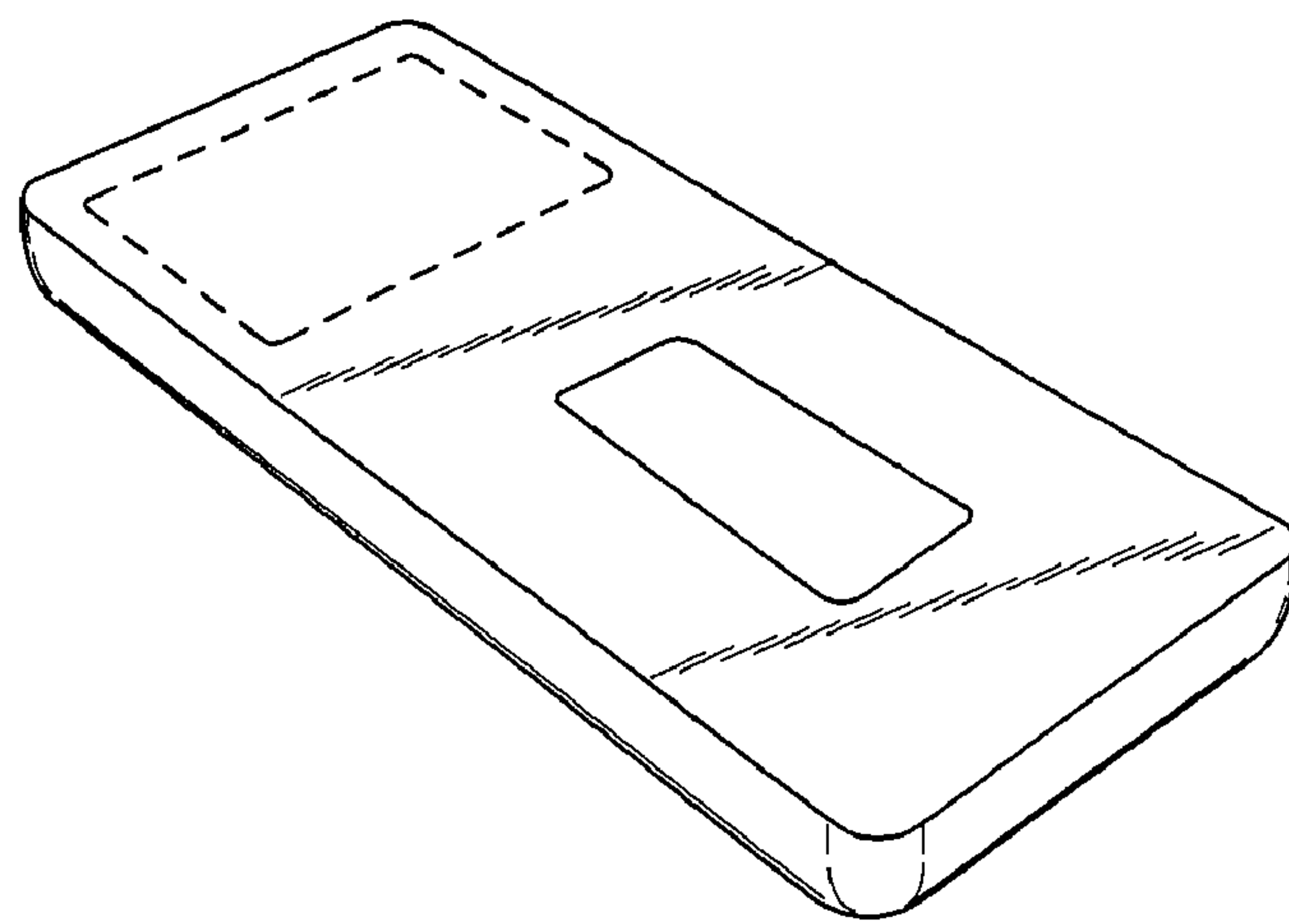


FIG. 1

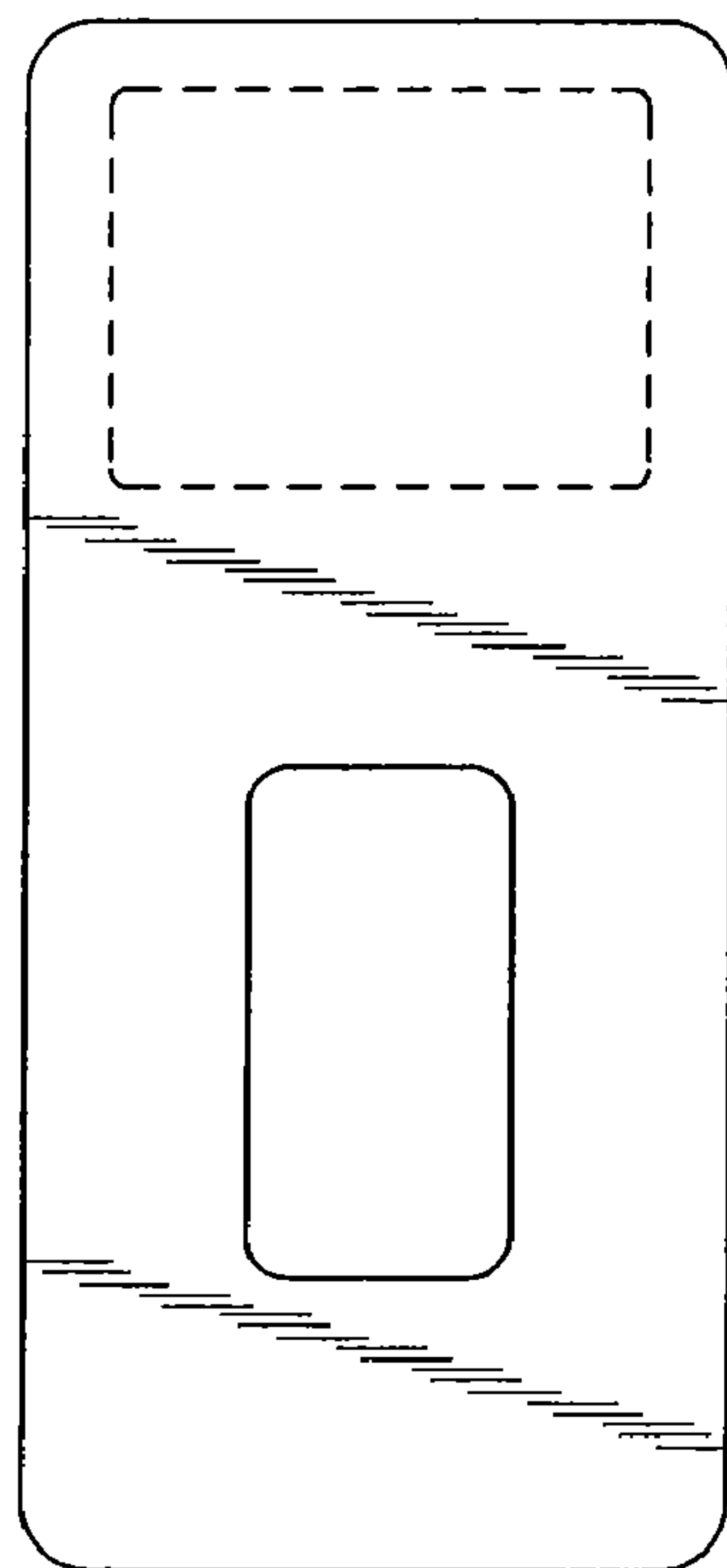


FIG. 2

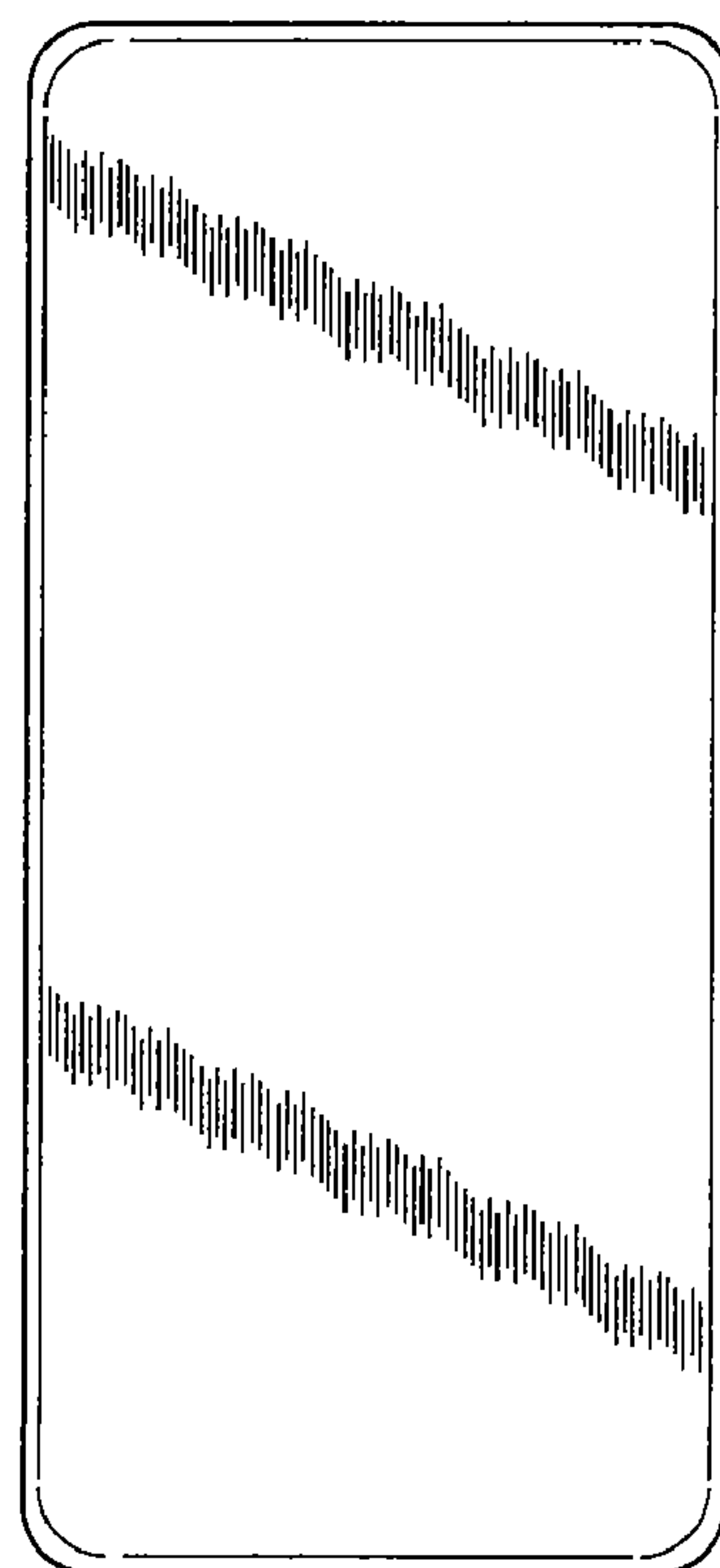


FIG. 3

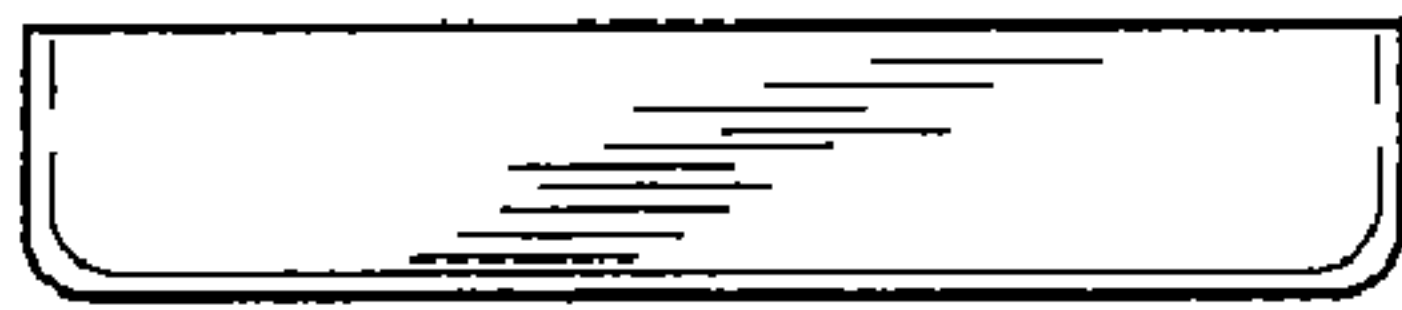


FIG. 4



FIG. 5



FIG. 6



FIG. 7