



US00D566701S

(12) **United States Design Patent**
Quilling, II

(10) **Patent No.:** **US D566,701 S**

(45) **Date of Patent:** **** Apr. 15, 2008**

(54) **AUTO STEREO MOUNTING DEVICE**

555,644 A * 3/1896 Quilling, II 156/521
555,647 A * 3/1896 Quilling, II 74/551.6

(75) Inventor: **R. Spencer Quilling, II**, DeLand, FL
(US)

* cited by examiner

(73) Assignee: **Metra Electronics Corp.**, Holly Hills,
FL (US)

Primary Examiner—Robert M. Spear

Assistant Examiner—Katrina A Kile

(74) *Attorney, Agent, or Firm*—John Wiley Horton

(**) Term: **14 Years**

(21) Appl. No.: **29/286,288**

(22) Filed: **May 1, 2007**

(57) **CLAIM**

The ornamental design for an auto stereo mounting device,
as shown and described.

(51) **LOC (8) Cl.** **14-01**

(52) **U.S. Cl.** **D14/258; D14/224**

(58) **Field of Classification Search** D14/258,
D14/257, 224, 217, 198, 197, 188, 171, 170,
D14/168, 167, 164, 162, 161, 160, 157, 156,
D14/136, 135; 720/691, 658, 270; 455/344,
455/575.1; 396/434, 93; 386/1; 369/93,
369/75.1; 360/47, 4; 359/550, 258; 349/460,
349/159, 10

See application file for complete search history.

DESCRIPTION

FIG. 1 is a perspective view of an auto stereo mounting
device, showing my design;

FIG. 2 is a front elevation view of FIG. 1;

FIG. 3 is a rear elevation view of FIG. 1;

FIG. 4 is a right side elevation view of FIG. 1;

FIG. 5 is a left side elevation view of FIG. 1;

FIG. 6 is a top plan view of FIG. 1; and,

FIG. 7 is a bottom plan view of FIG. 1.

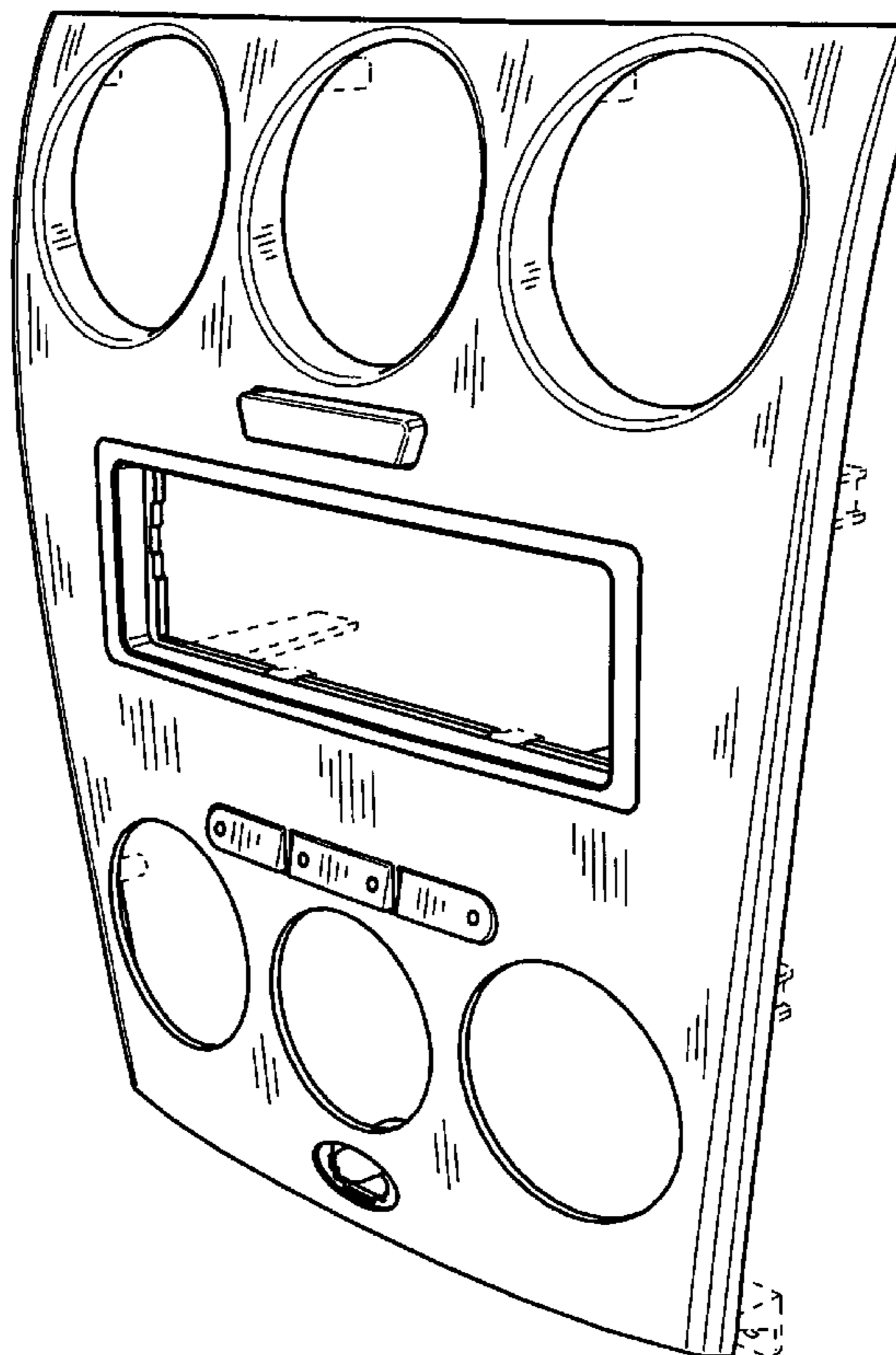
The broken lines shown in all views illustrate mounting
features which form no part of the claimed design.

(56) **References Cited**

U.S. PATENT DOCUMENTS

481,707 A * 8/1892 Quilling, II et al. 43/81
540,785 A * 6/1895 Quilling, II 55/299

1 Claim, 7 Drawing Sheets



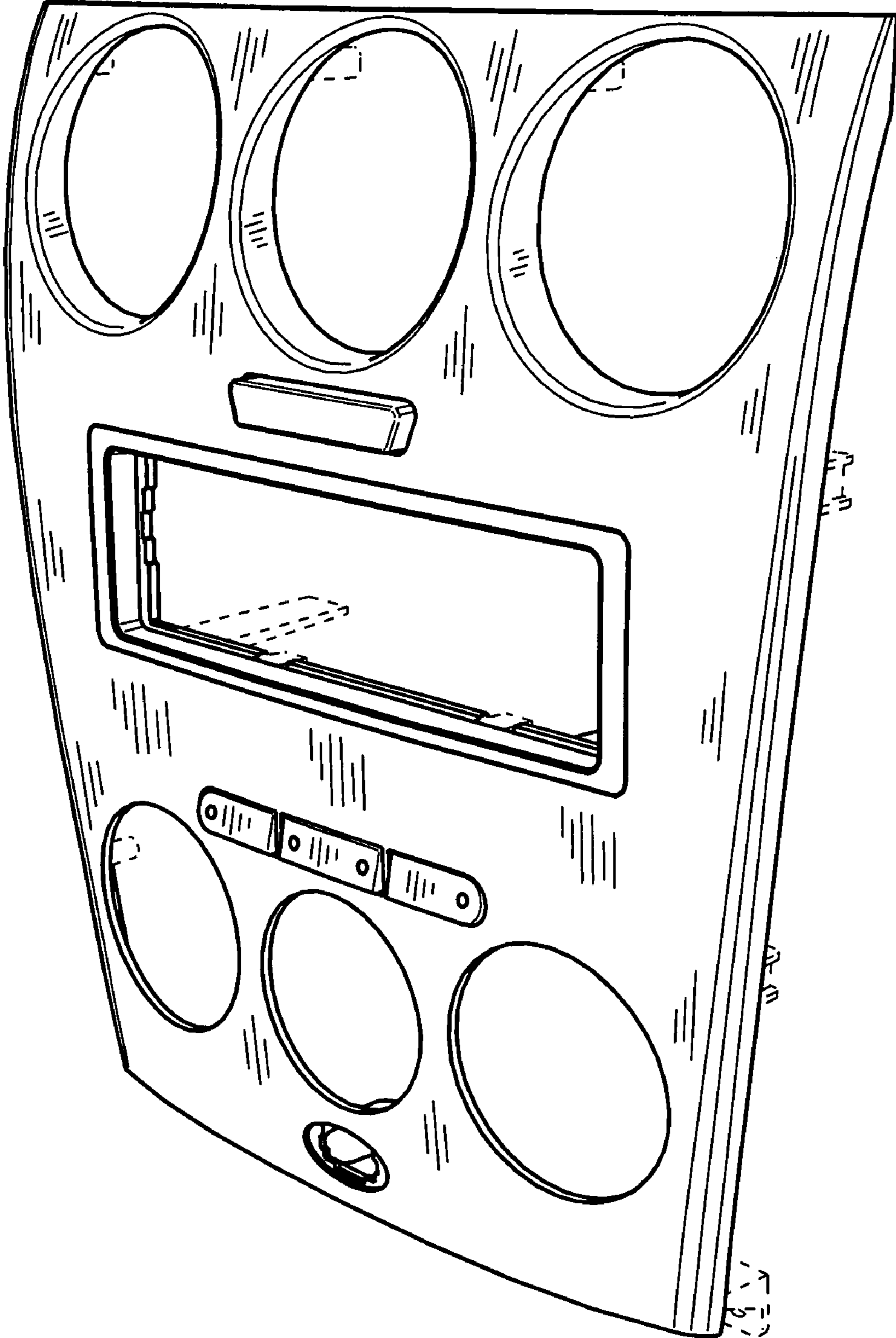


FIG. 1

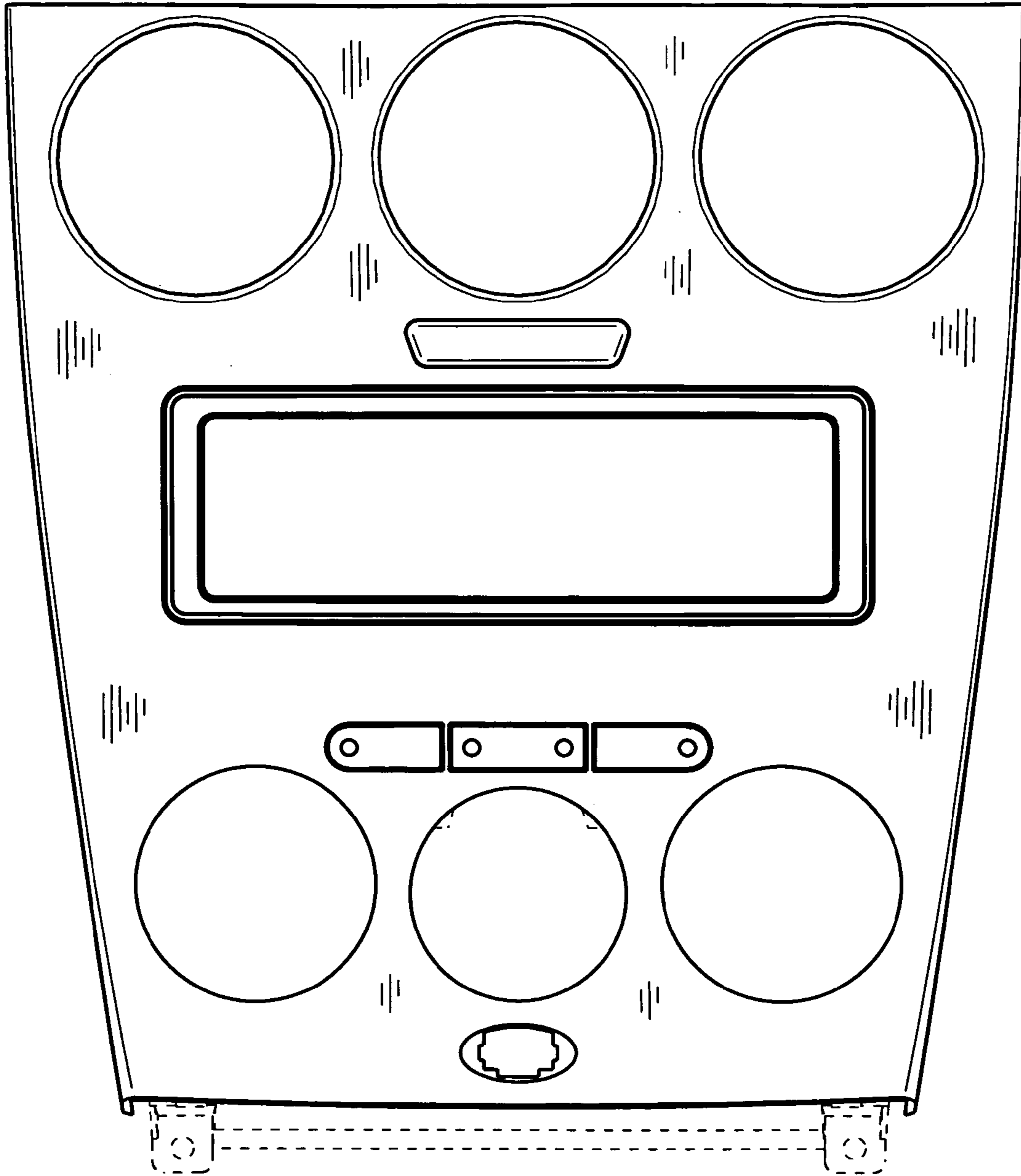


FIG. 2

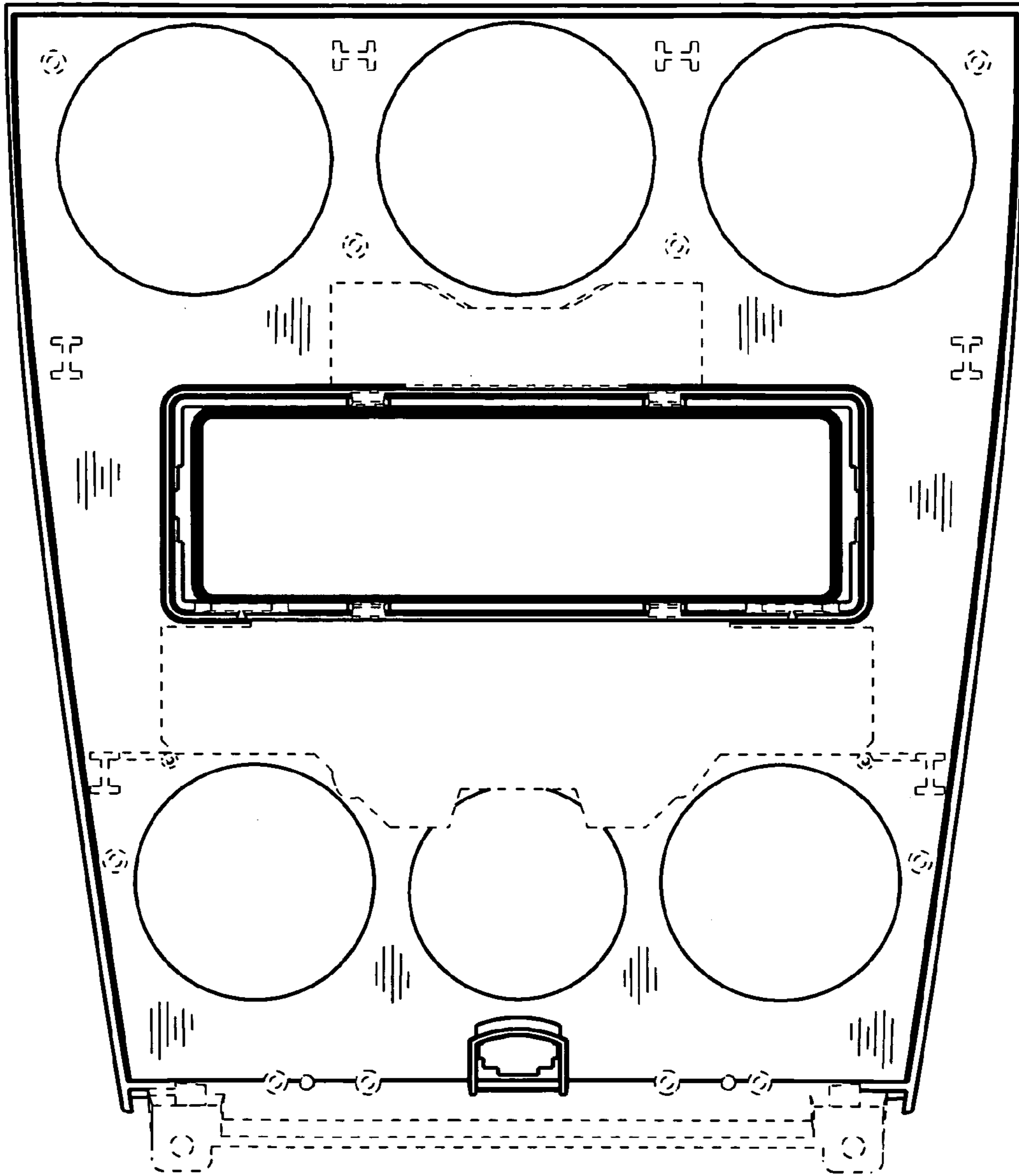


FIG. 3

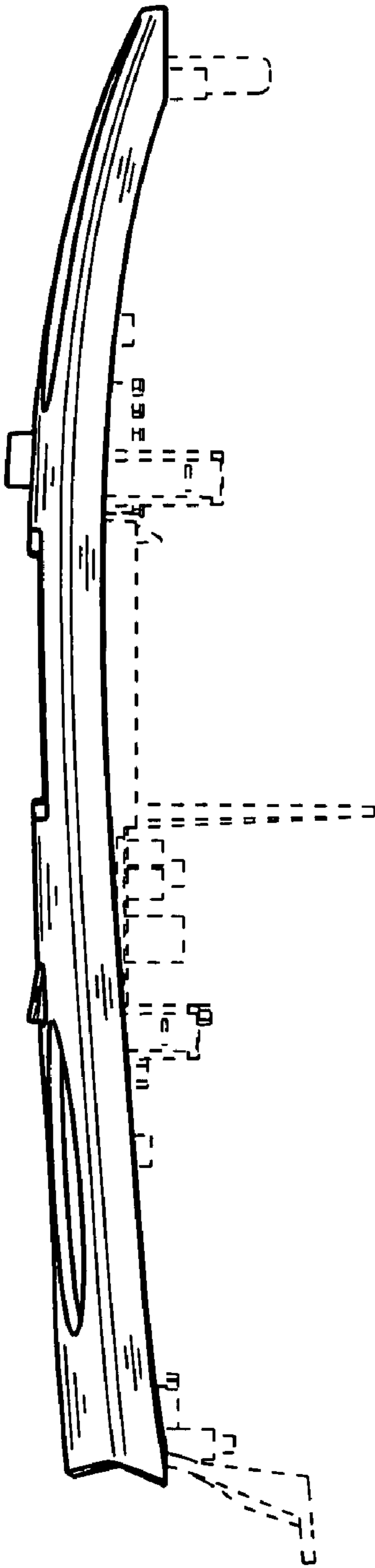


FIG. 4

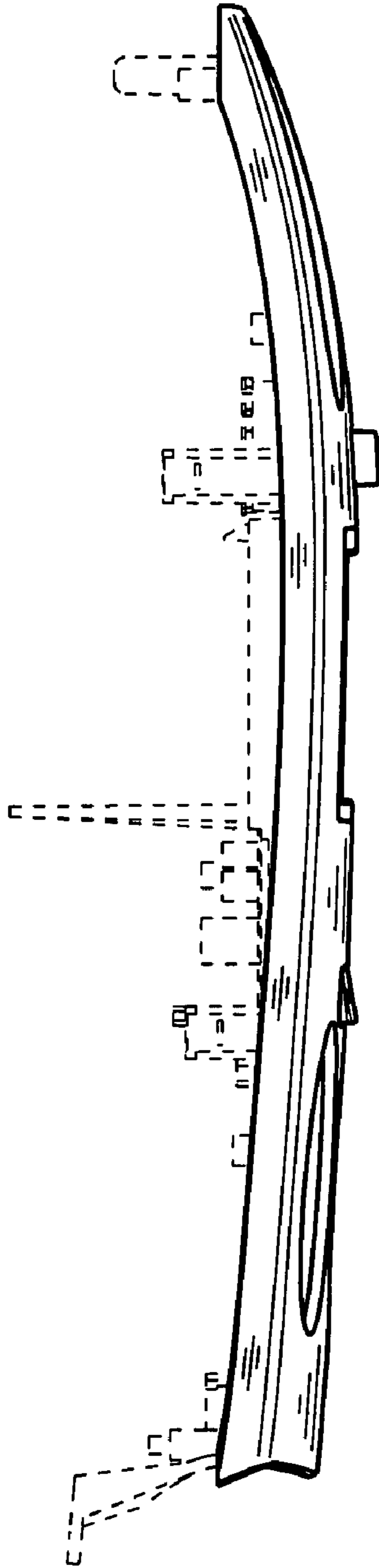


FIG. 5

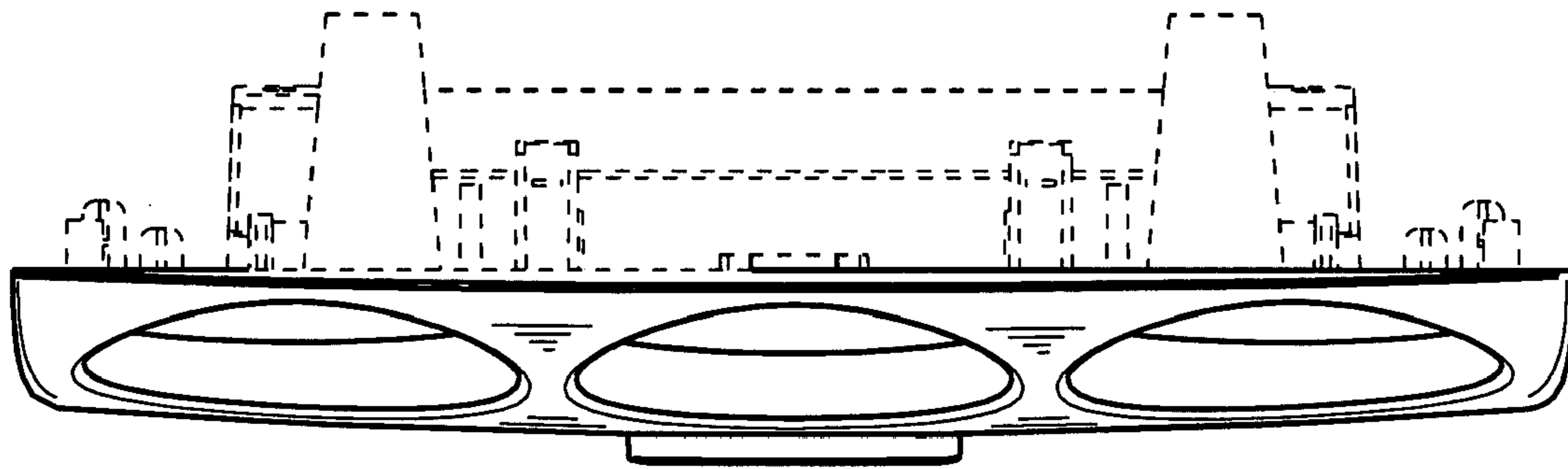


FIG. 6

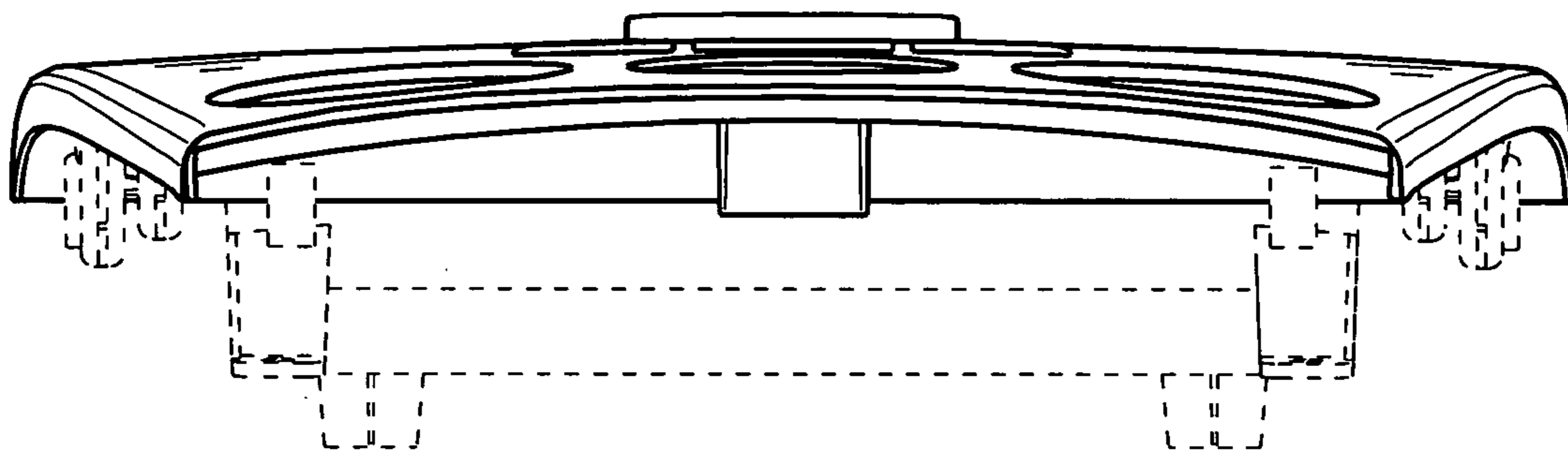


FIG. 7