



US00D566696S

(12) **United States Design Patent**
Schmelling

(10) **Patent No.:** **US D566,696 S**
(45) **Date of Patent:** **** Apr. 15, 2008**

(54) **HEADSET**

(75) Inventor: **Steffen Schmelling**, Copenhagen (DK)

(73) Assignee: **Bang & Olufsen A/S**, Struer (DK)

(**) Term: **14 Years**

(21) Appl. No.: **29/270,670**

(22) Filed: **Dec. 29, 2006**

(30) **Foreign Application Priority Data**

Jun. 30, 2006 (DK) DA 2006 00173

(51) **LOC (8) Cl.** **14-01**

(52) **U.S. Cl.** **D14/223**

(58) **Field of Classification Search** D14/205–206,
D14/223, 138, 188, 192; 455/575.4; 181/129–130;
381/374–381, 385

See application file for complete search history.

(56) **References Cited**

U.S. PATENT DOCUMENTS

D395,299 S *	6/1998	Yamazaki et al.	D14/138
D407,399 S *	3/1999	Frye et al.	D14/138
D430,128 S *	8/2000	Hino et al.	D14/138
6,760,459 B2 *	7/2004	Bae	381/375
D538,271 S *	3/2007	Kim et al.	D14/223
7,197,348 B2 *	3/2007	Pan	455/575.8
D539,777 S *	4/2007	Pena Angarita	D14/138
D542,267 S *	5/2007	Cha et al.	D14/206
D550,215 S *	9/2007	Udagawa et al.	D14/223
D553,613 S *	10/2007	Sade et al.	D14/223

* cited by examiner

Primary Examiner—Paula A. Greene

(74) *Attorney, Agent, or Firm*—Buchanan Ingersoll & Rooney PC

(57) **CLAIM**

The ornamental design for a headset, as shown and described.

DESCRIPTION

FIG. 1 is a front, side perspective view of a headset showing my new design;

FIG. 2 is a rear, side perspective view thereof;

FIG. 3 is a right side elevational view thereof;

FIG. 4 is a front elevational view thereof;

FIG. 5 is a left side elevational view thereof;

FIG. 6 is a rear elevational view thereof;

FIG. 7 is a bottom plan view thereof;

FIG. 8 is a top plan view thereof;

FIG. 9 is a front, side perspective view of the headset of FIG. 1 shown in the partially opened position;

FIG. 10 is a rear, side perspective view thereof;

FIG. 11 is a right side elevational view thereof;

FIG. 12 is a front elevational view thereof;

FIG. 13 is a left side elevational view thereof;

FIG. 14 is a rear elevational view thereof;

FIG. 15 is a bottom plan view thereof;

FIG. 16 is a top plan view thereof;

FIG. 17 is a front, side perspective view of the headset of FIG. 1 shown in the fully opened position;

FIG. 18 is a rear, side perspective view thereof;

FIG. 19 is a right side elevational view thereof;

FIG. 20 is a front elevational view thereof;

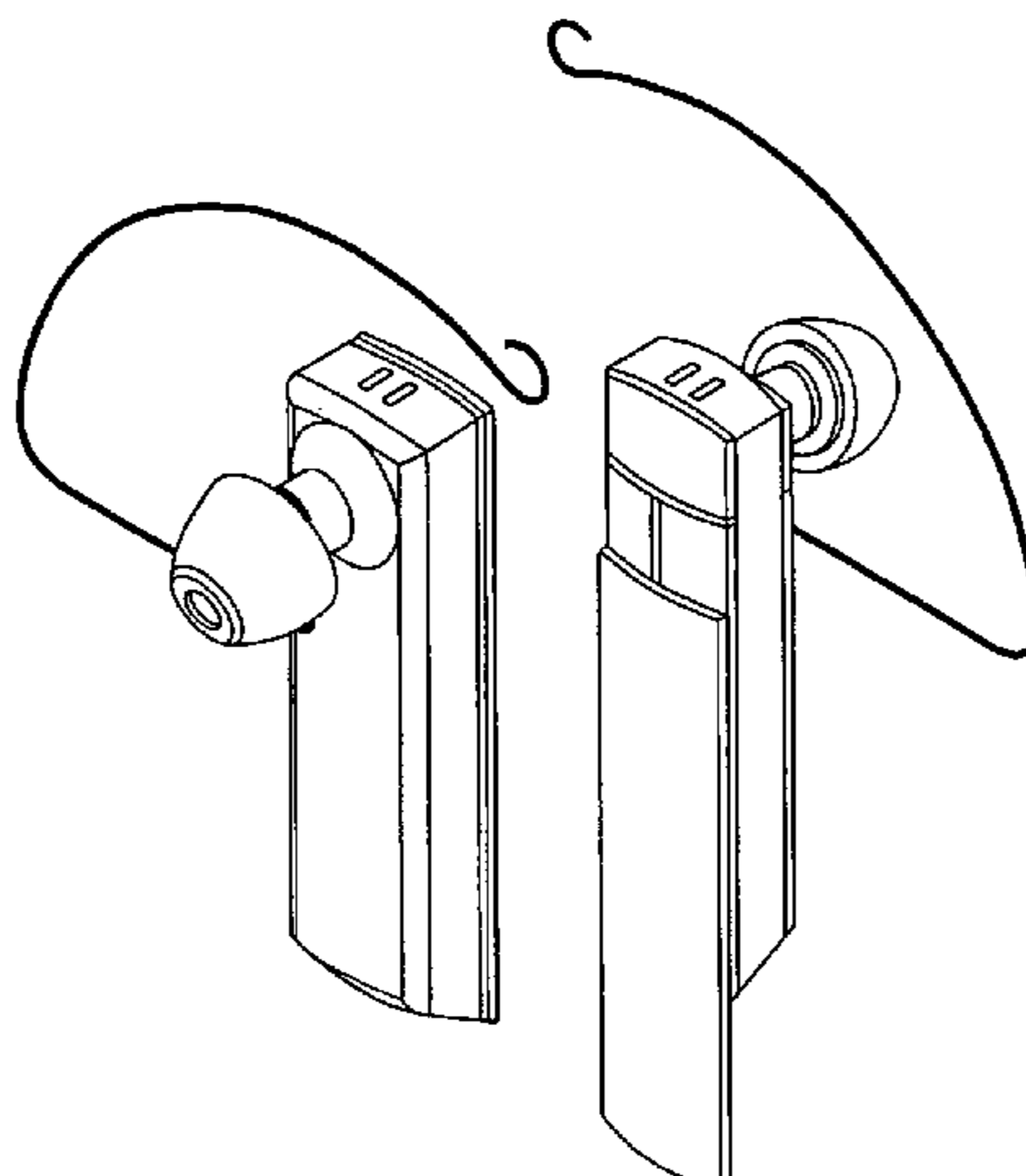
FIG. 21 is a left side elevational view thereof;

FIG. 22 is a rear elevational view thereof;

FIG. 23 is a bottom plan view thereof; and,

FIG. 24 is a top plan view thereof.

1 Claim, 24 Drawing Sheets



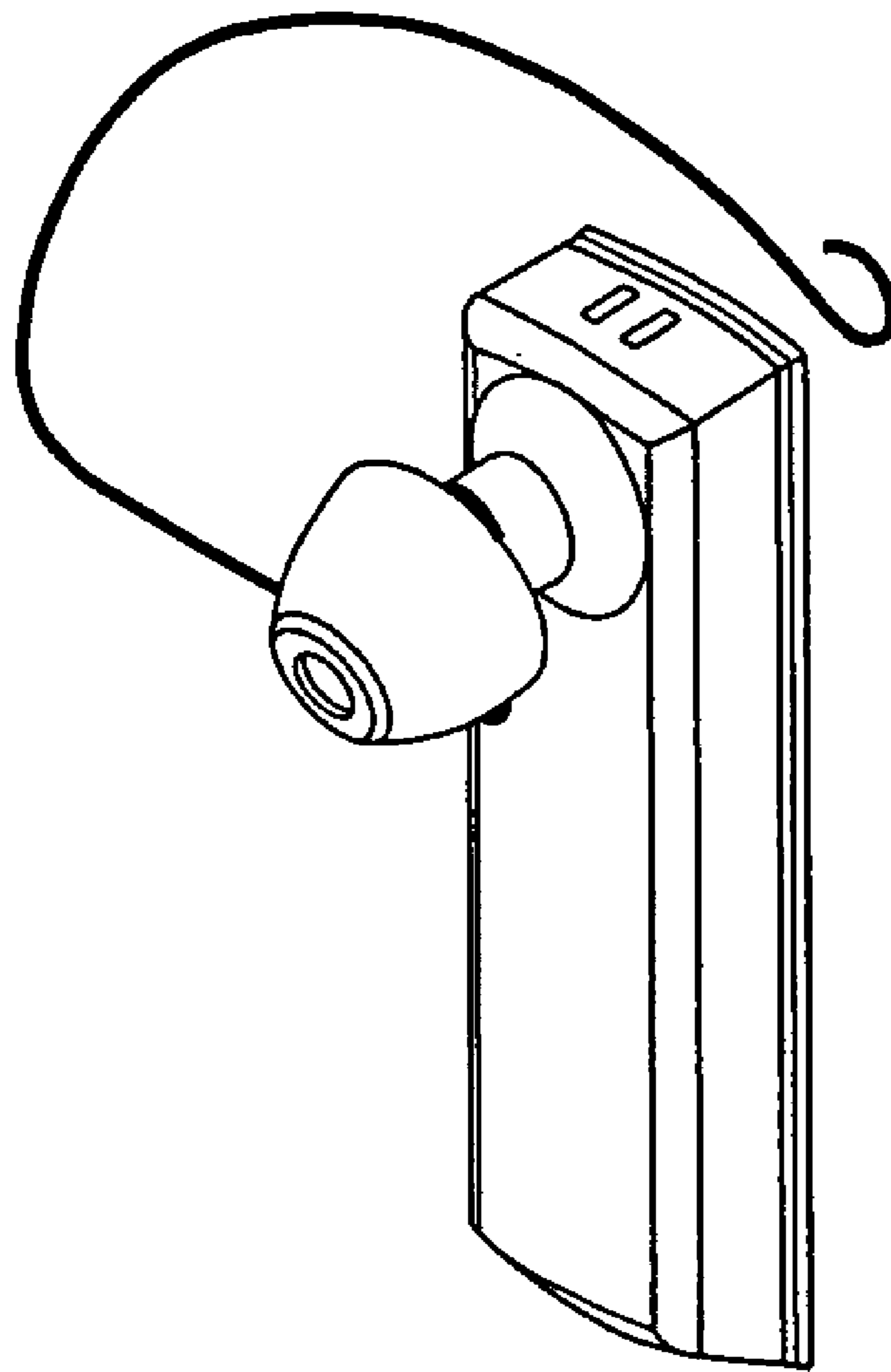


FIG. 1

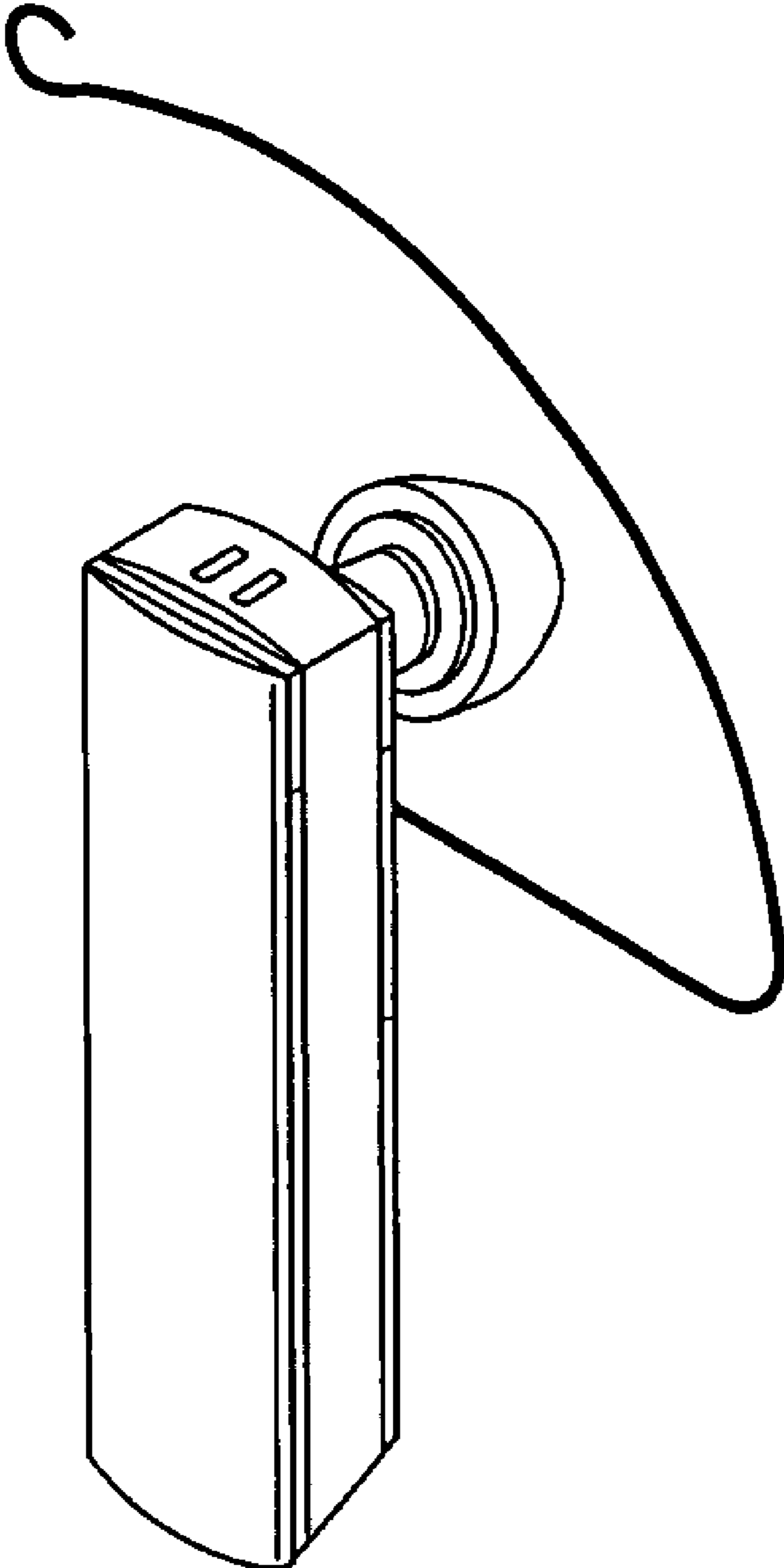


FIG. 2

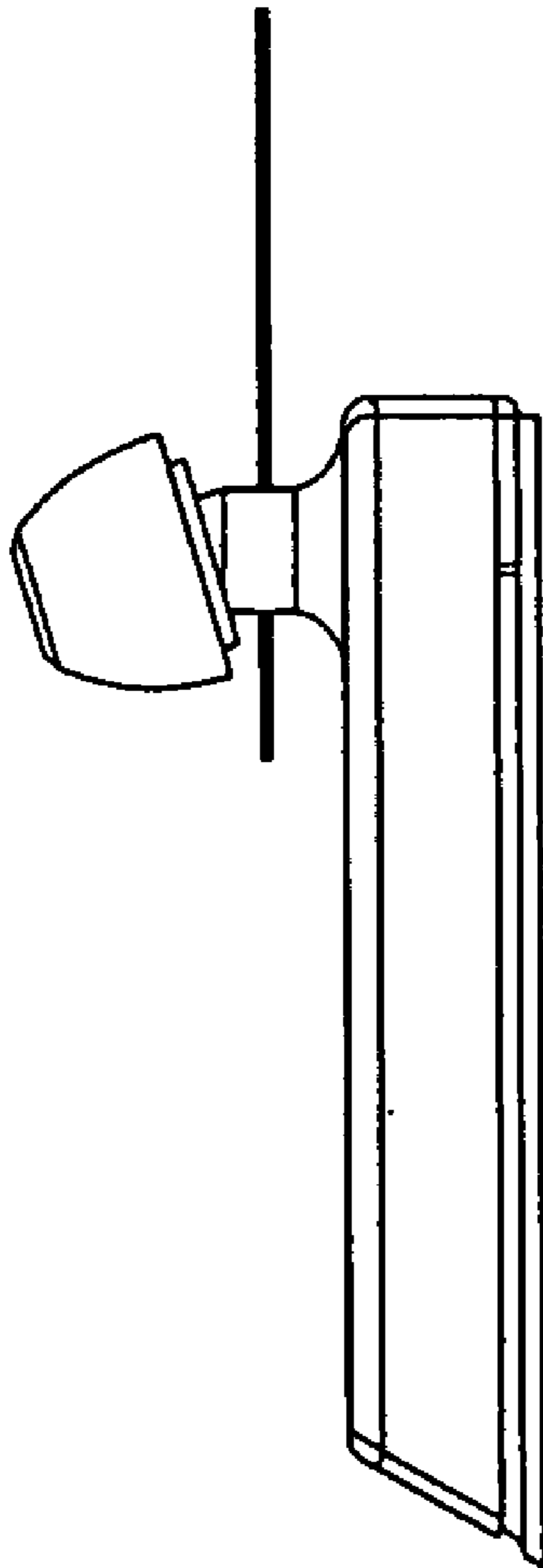


FIG. 3

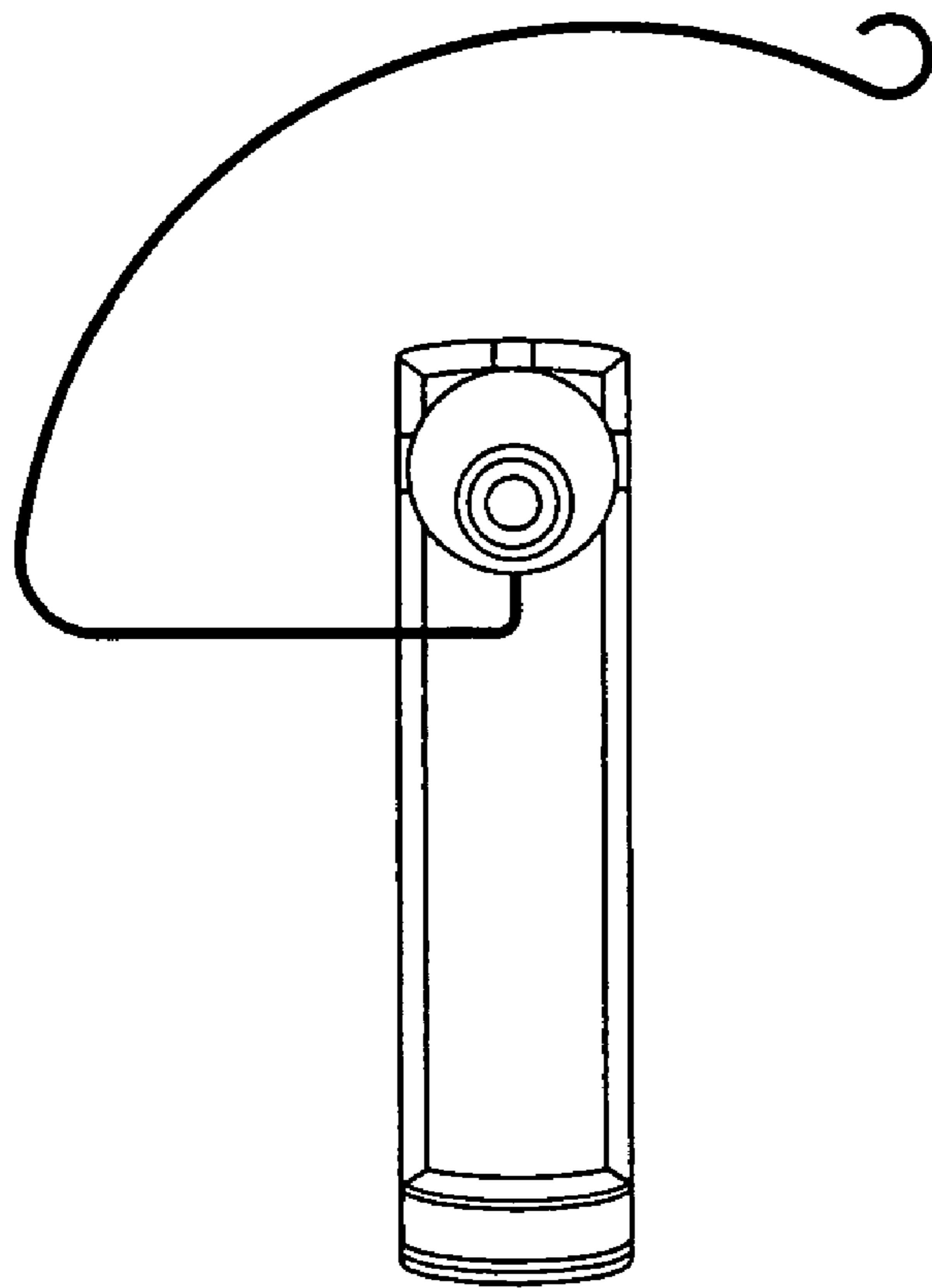


FIG. 4

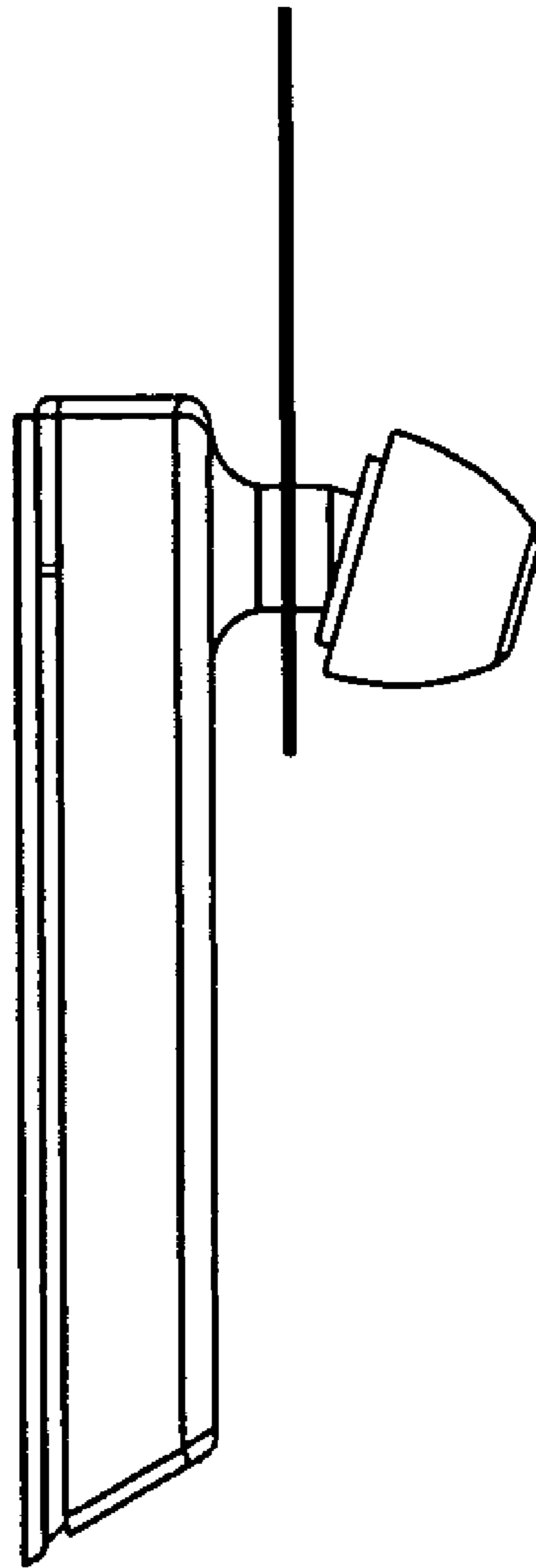


FIG. 5

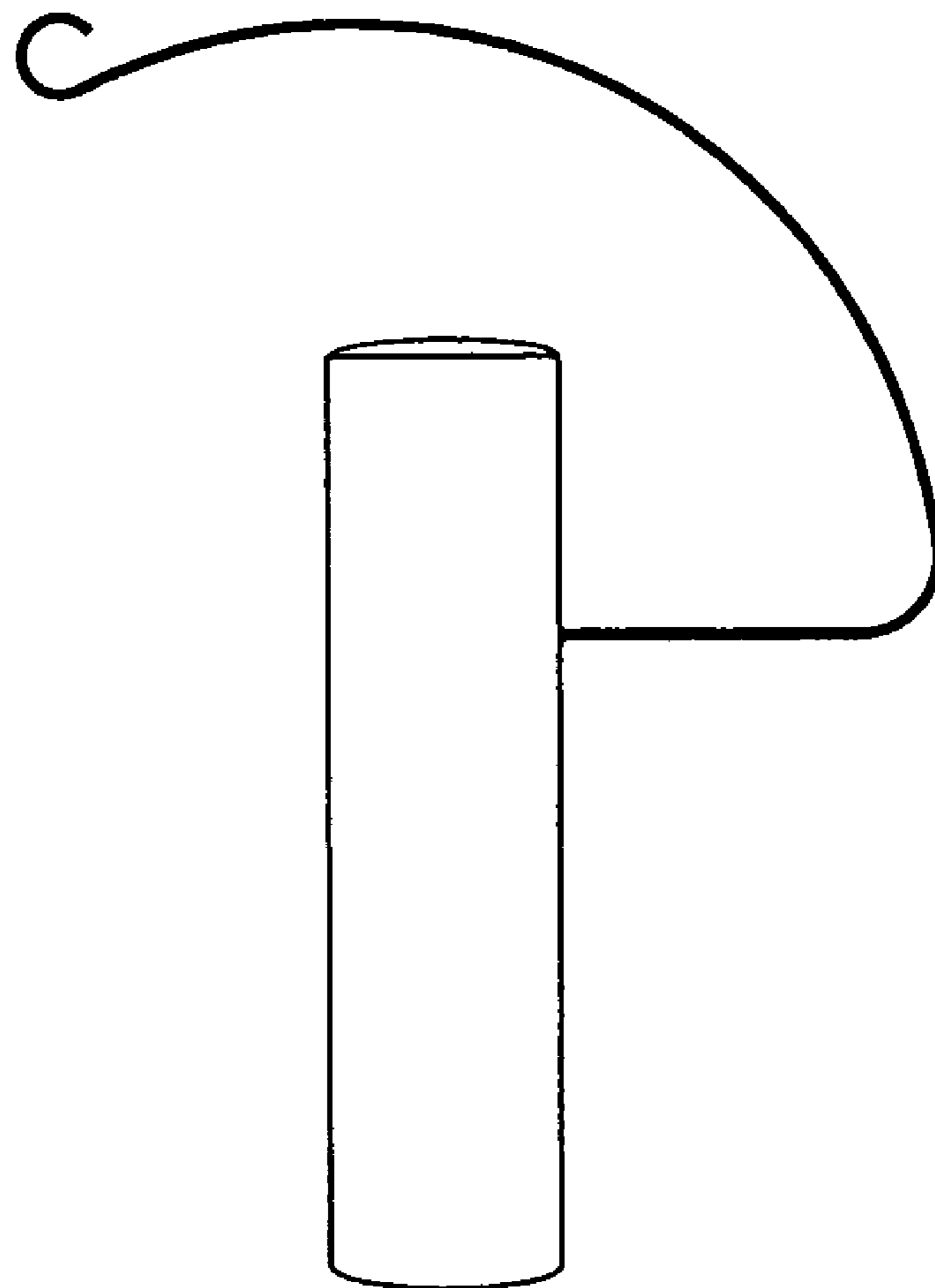


FIG. 6

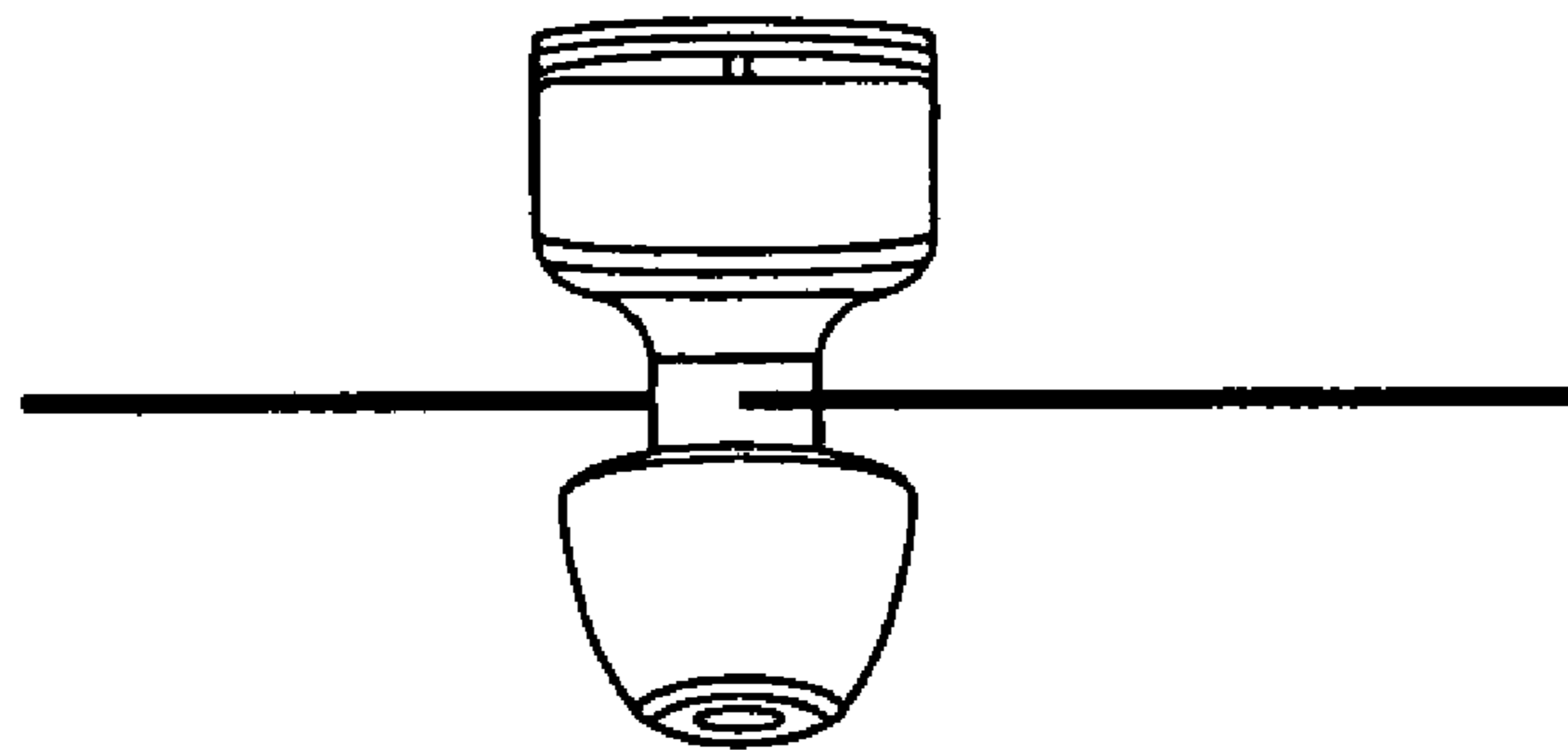


FIG. 7

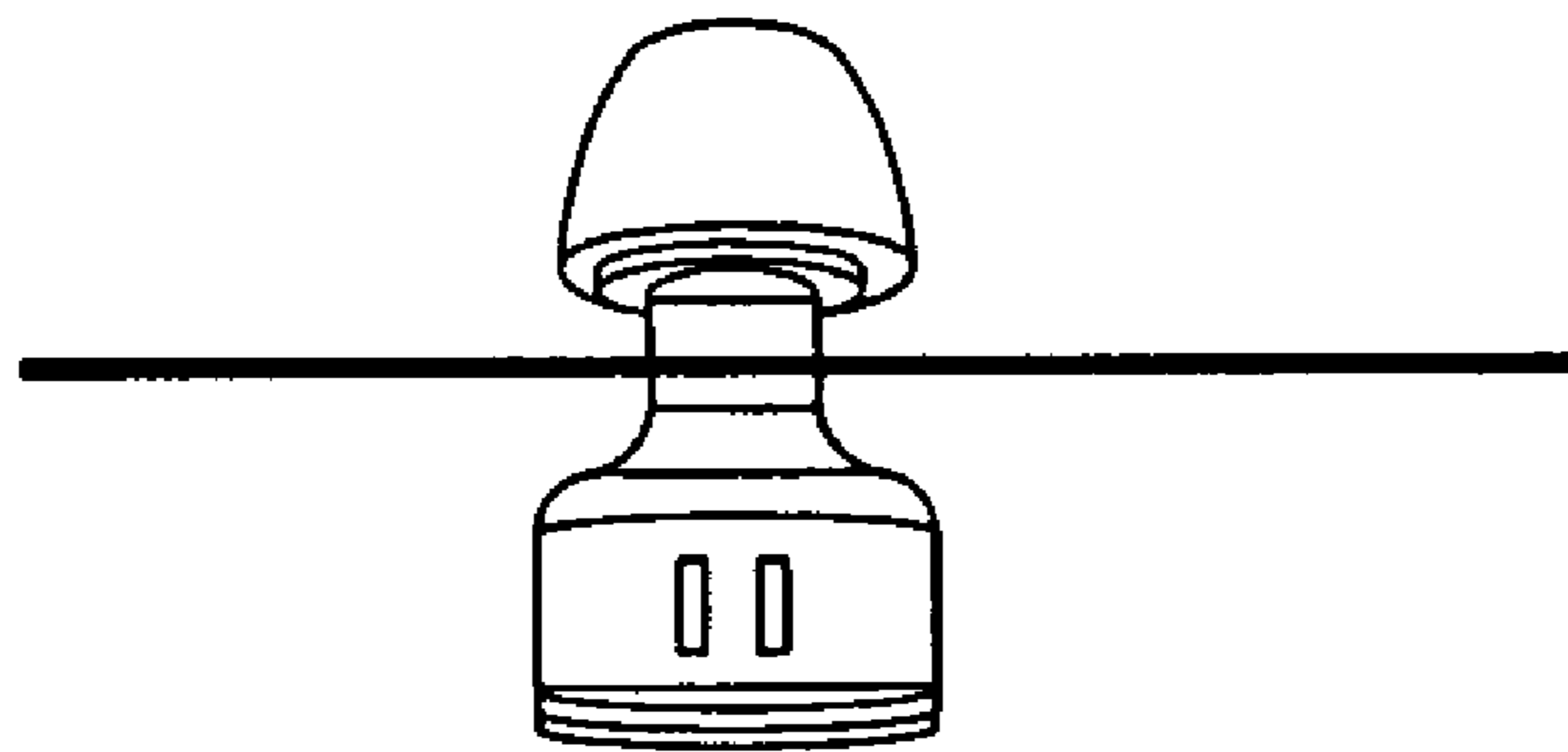


FIG. 8

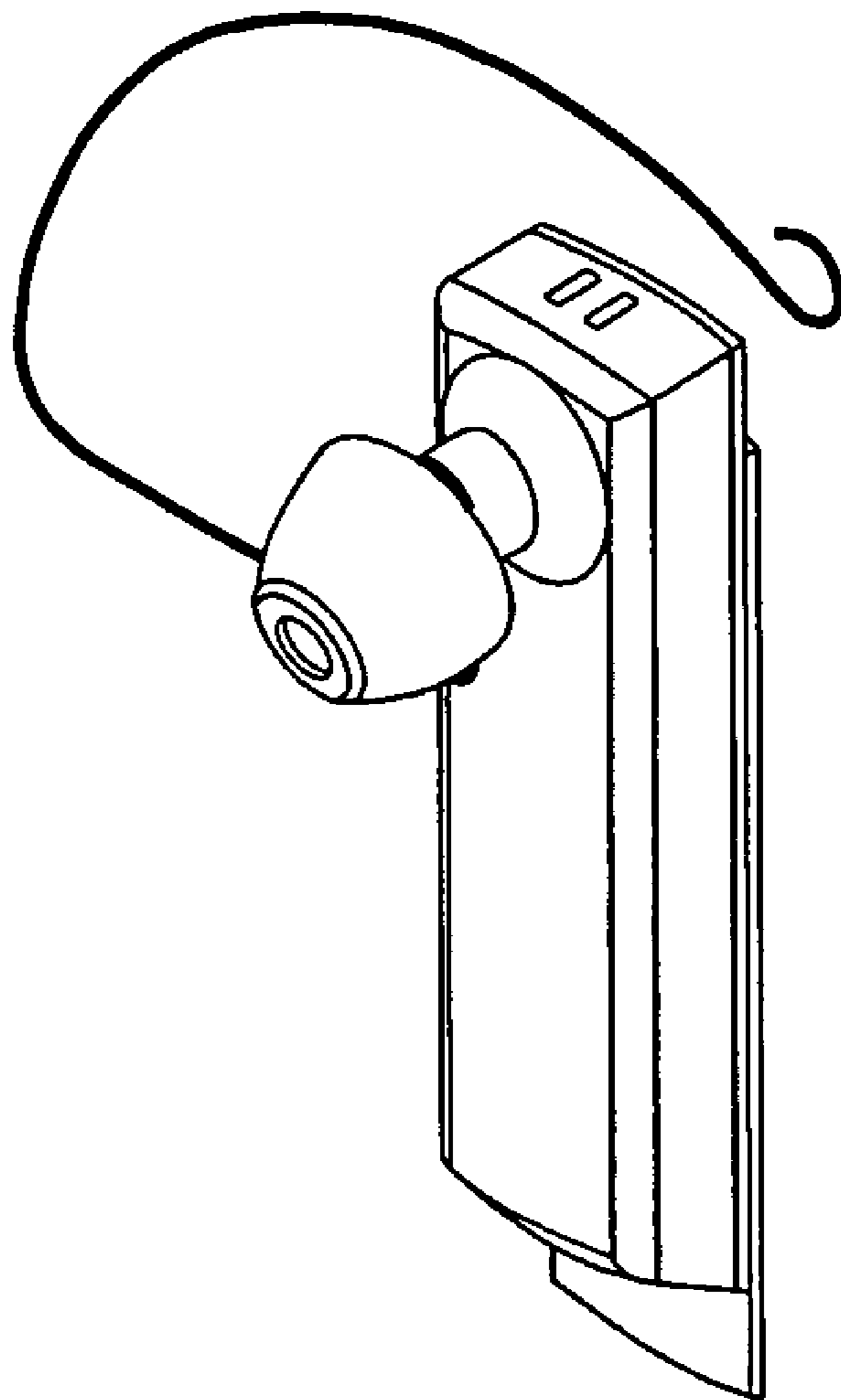


FIG. 9

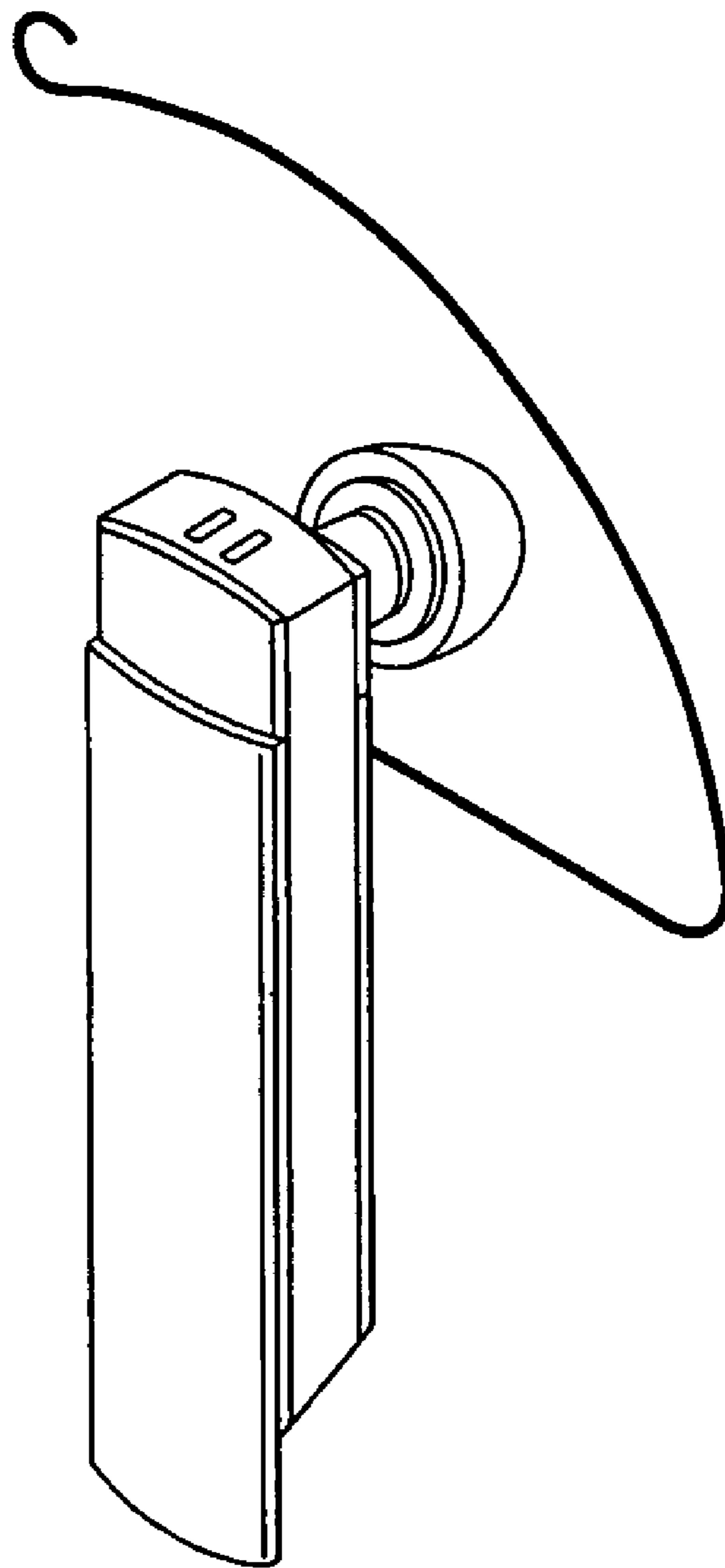


FIG. 10

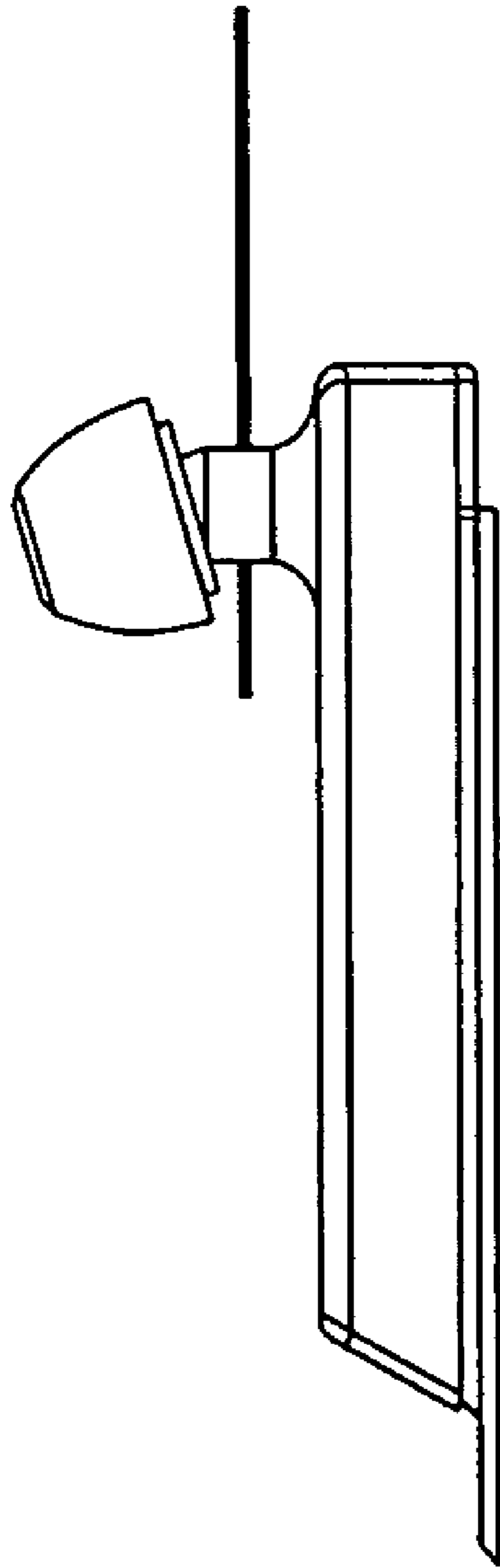


FIG. 11

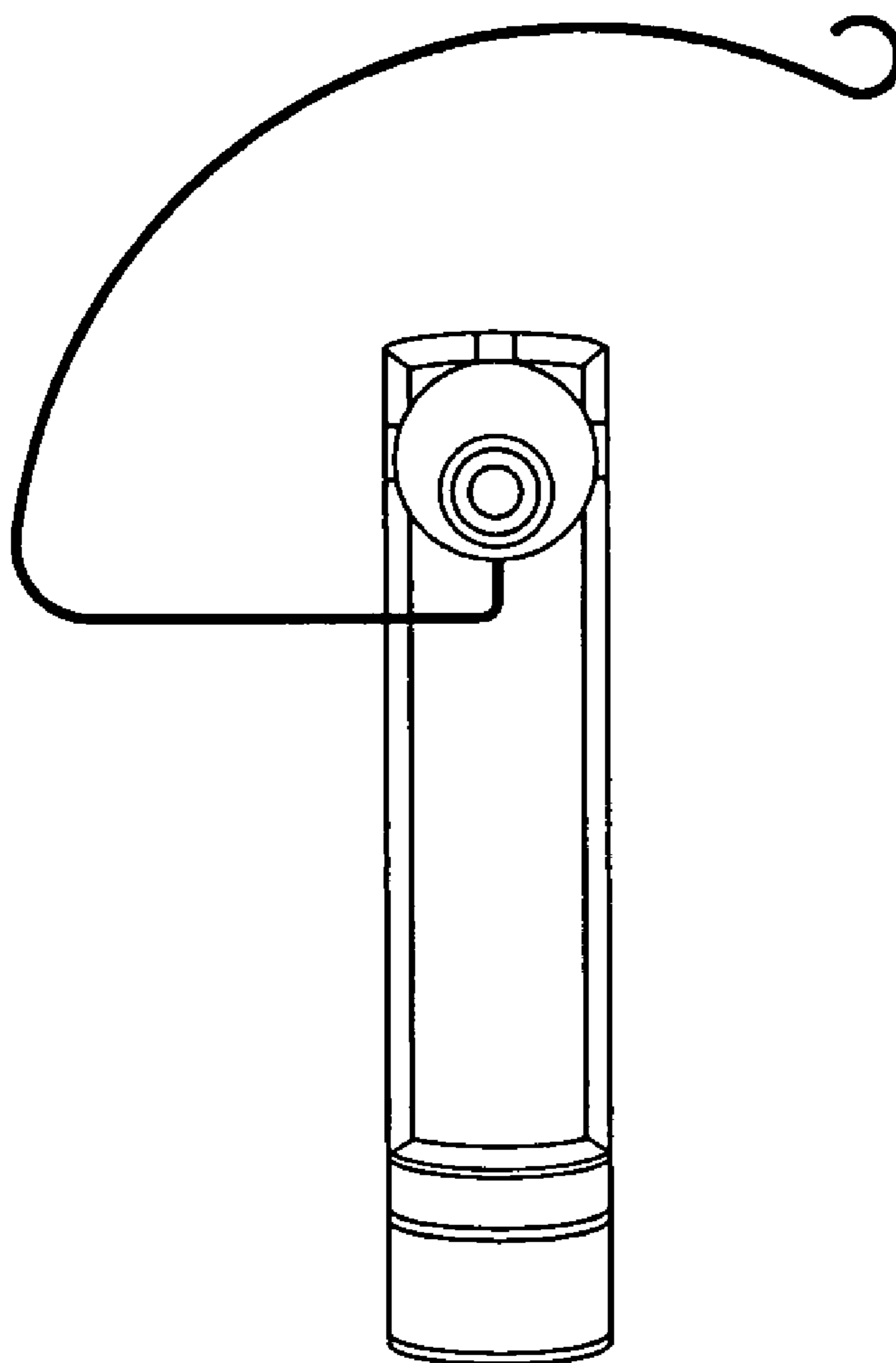


FIG. 12

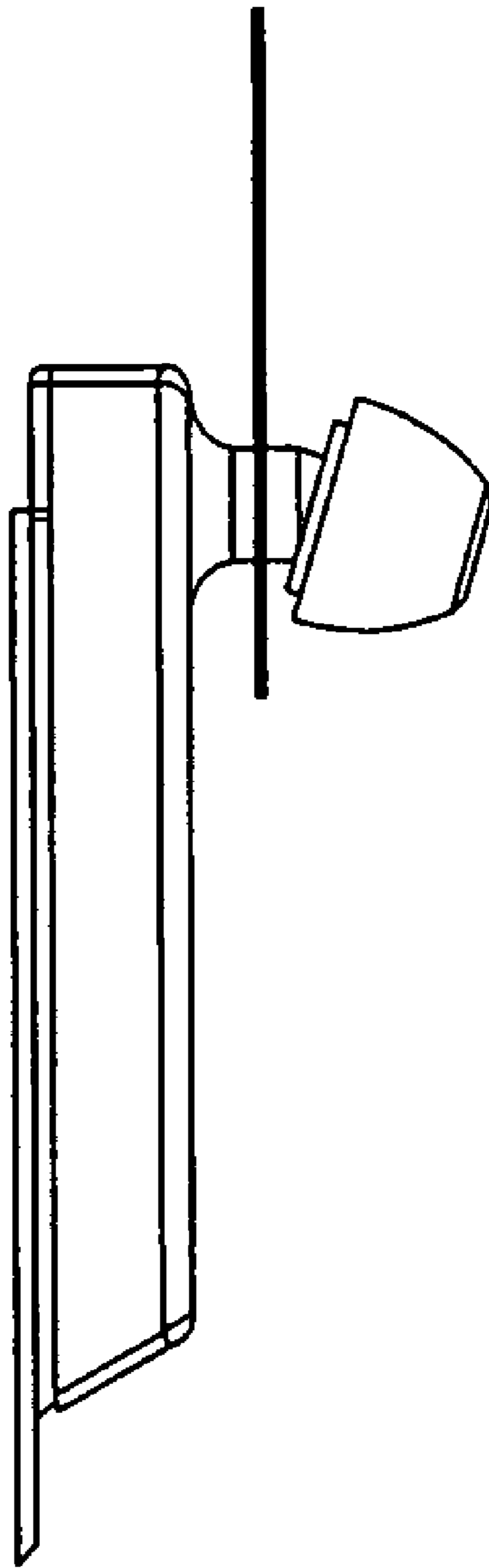


FIG. 13

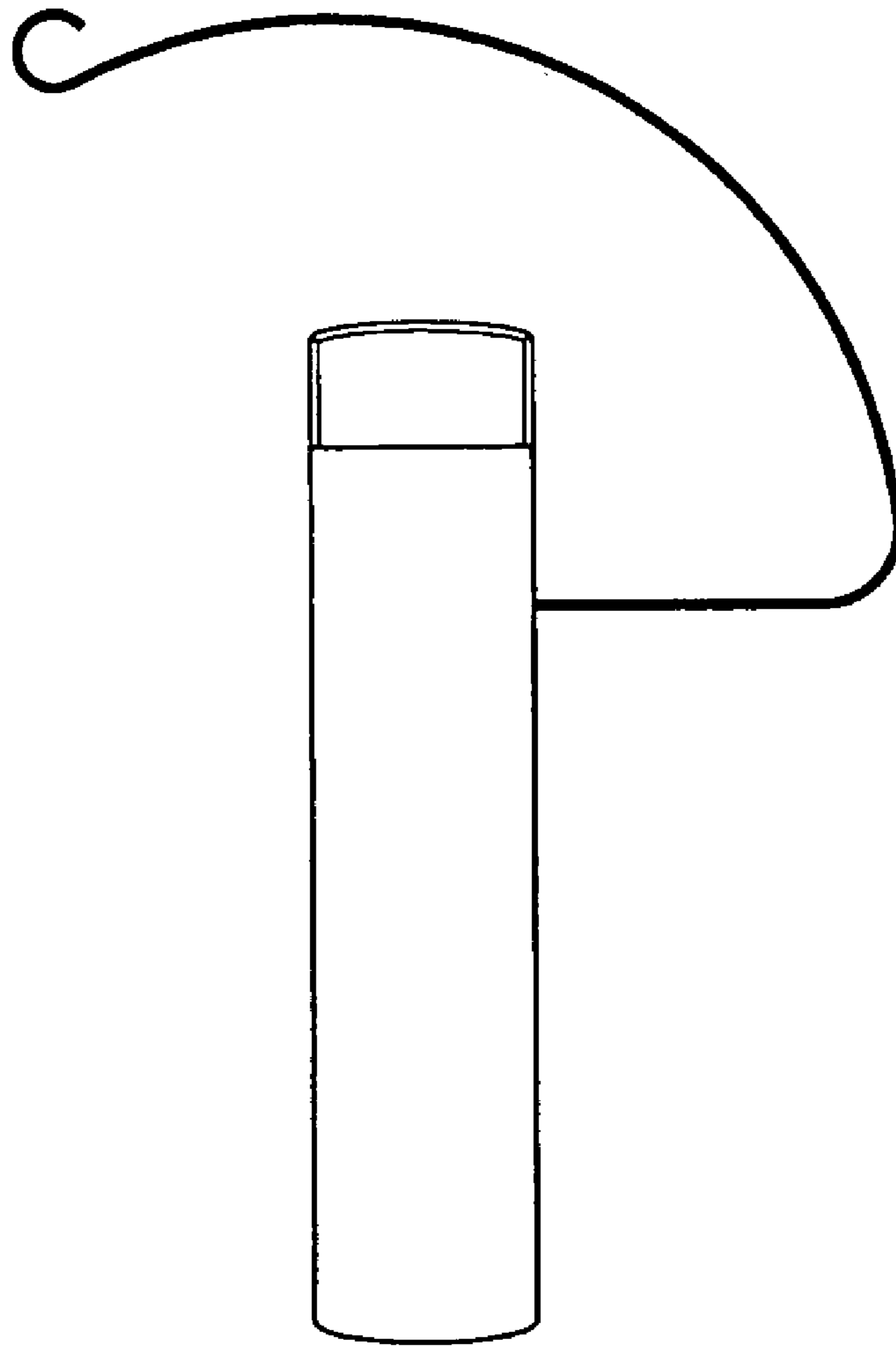


FIG. 14

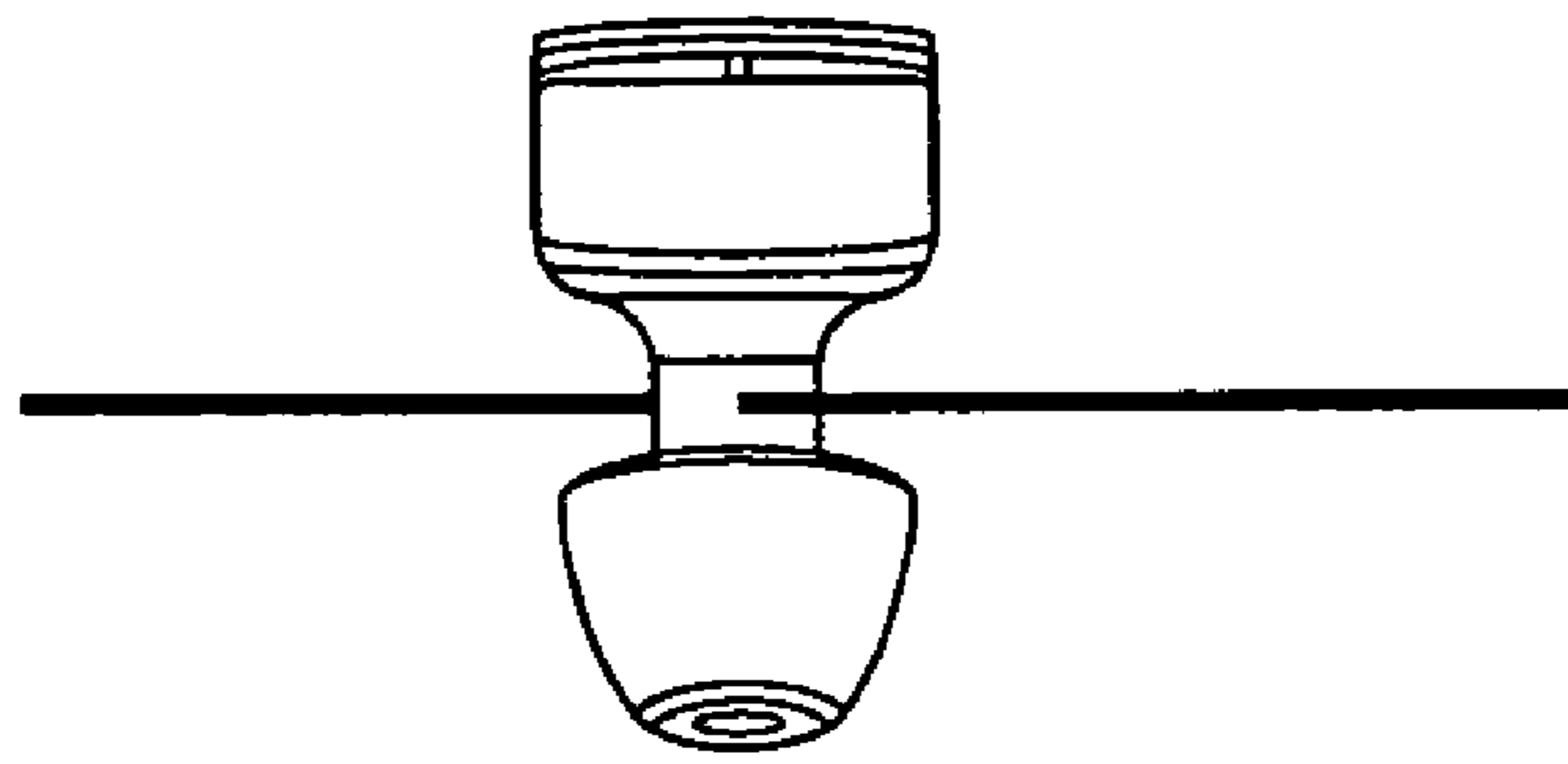


FIG. 15

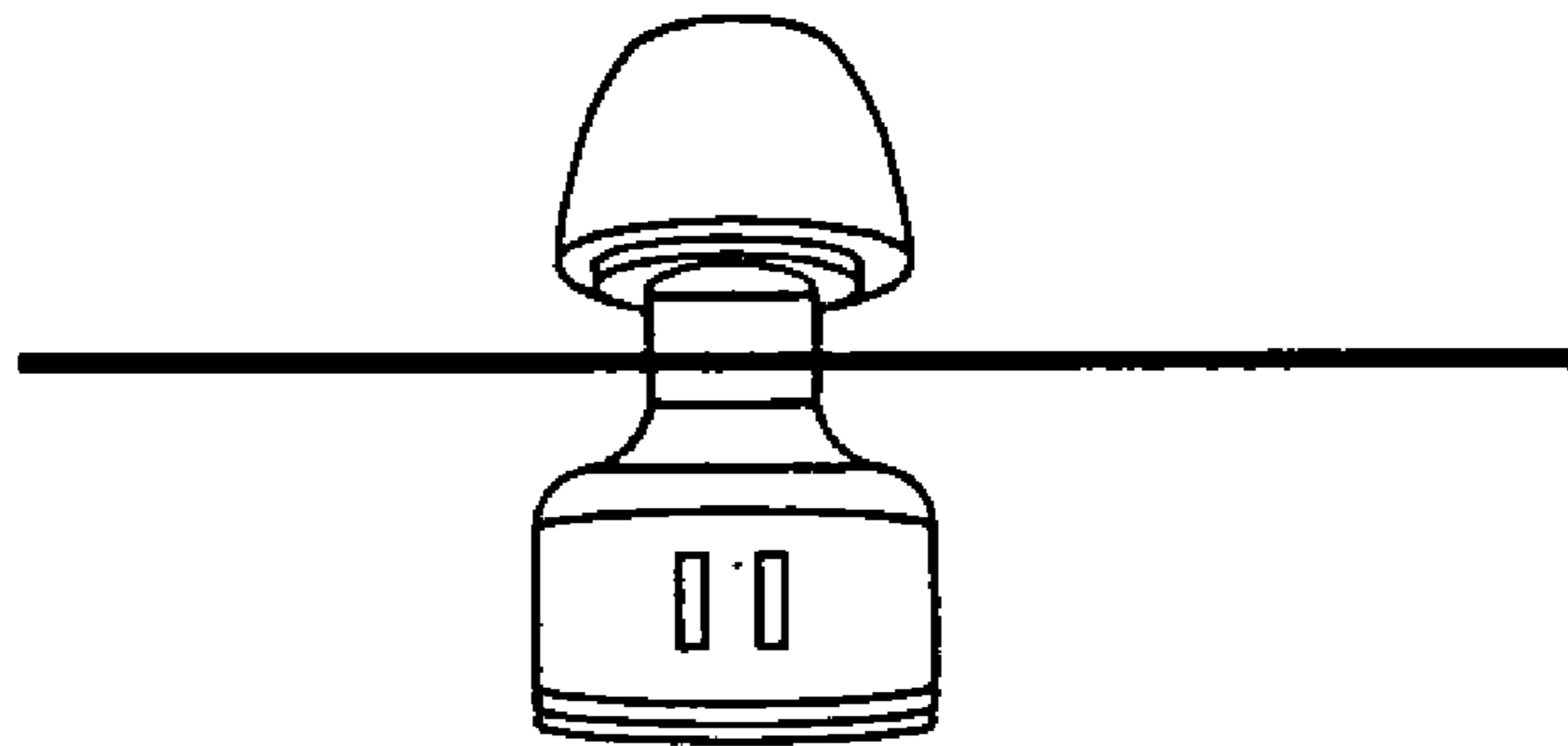


FIG. 16

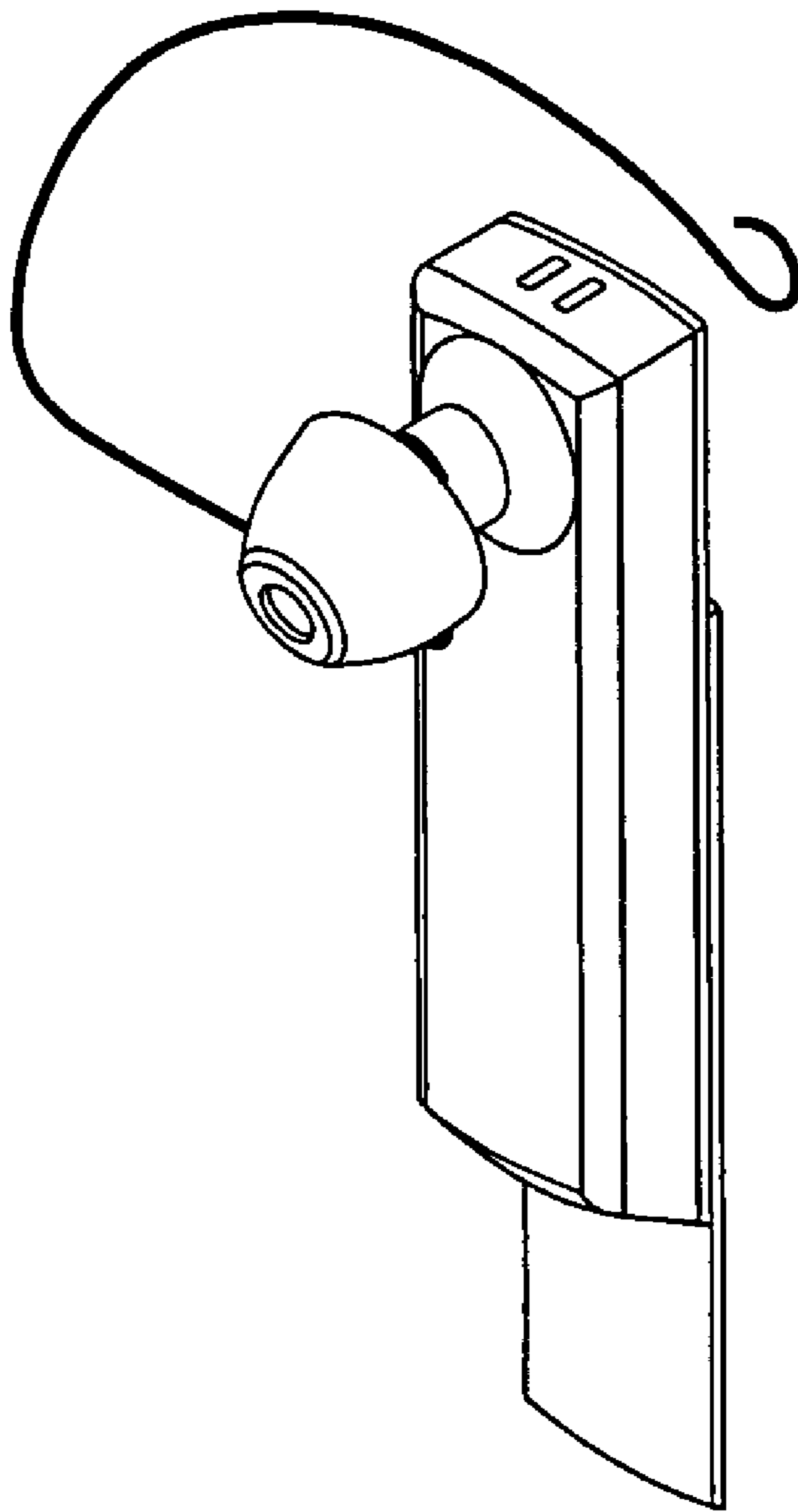


FIG. 17

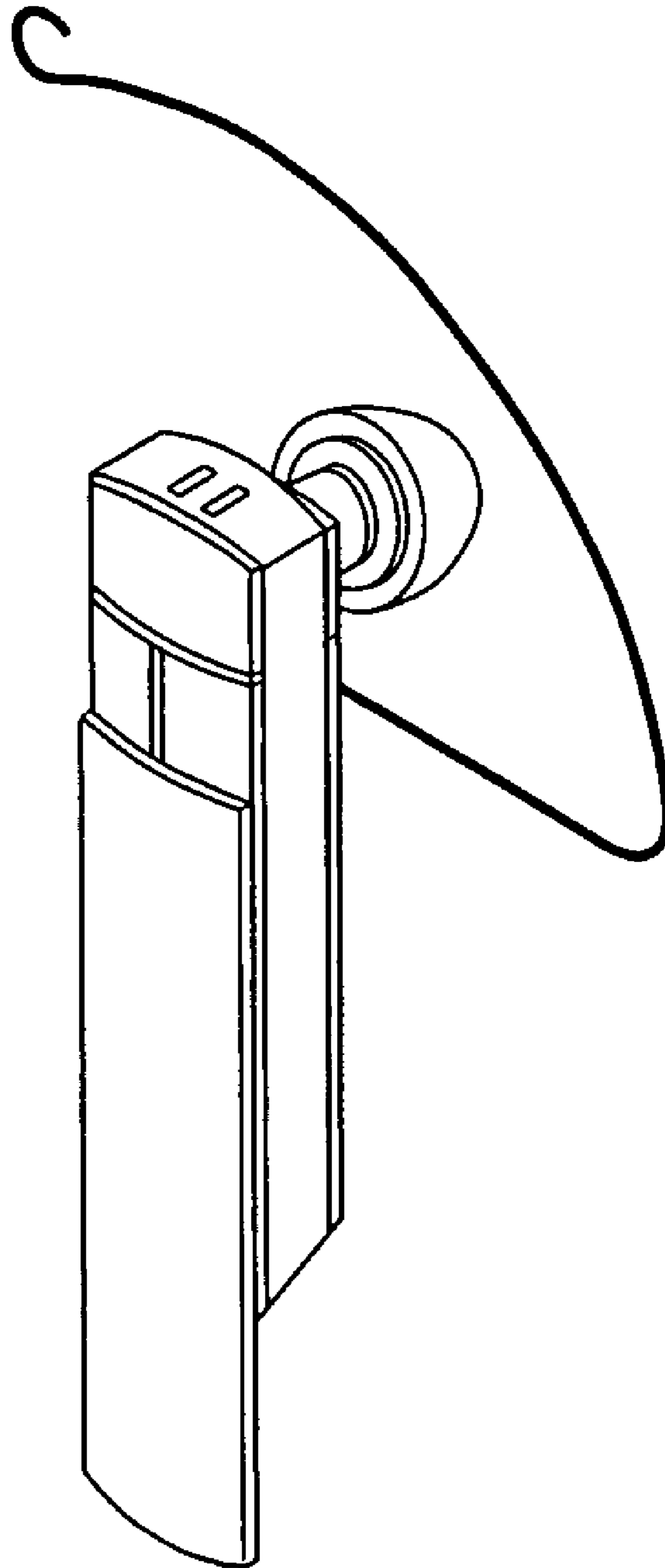


FIG. 18

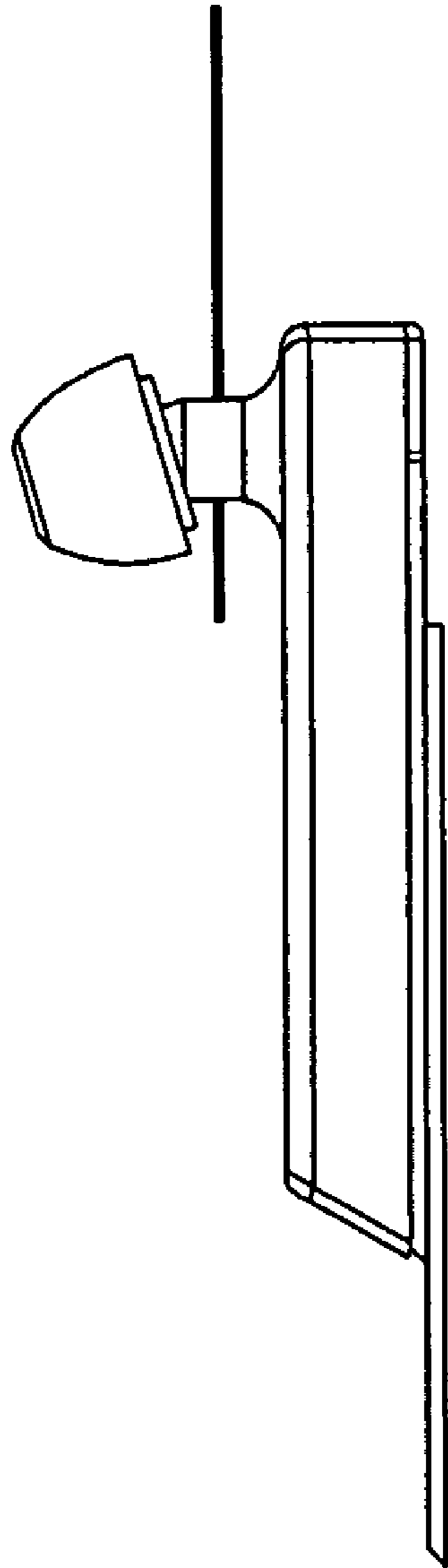


FIG. 19

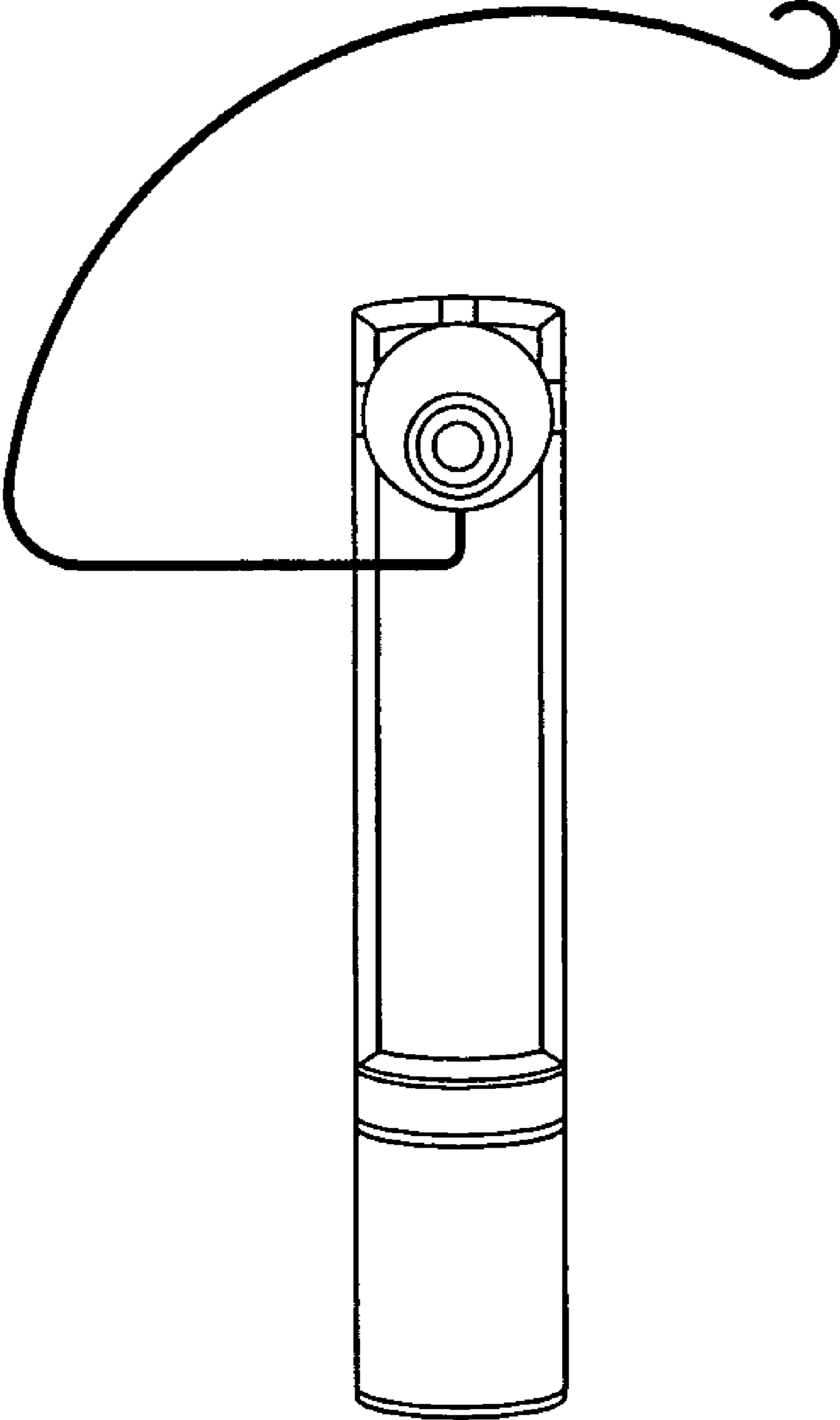


FIG. 20



FIG. 21

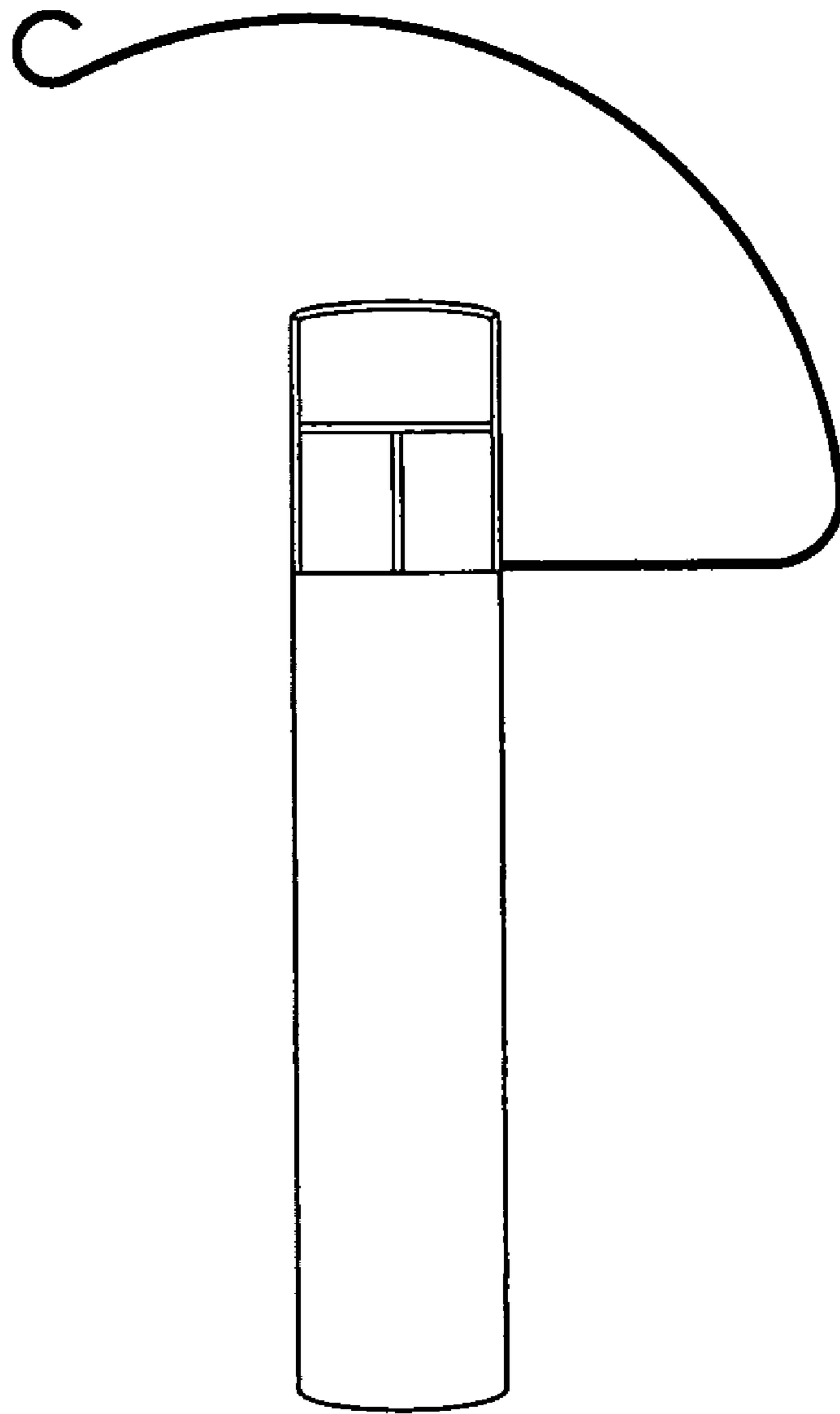


FIG. 22

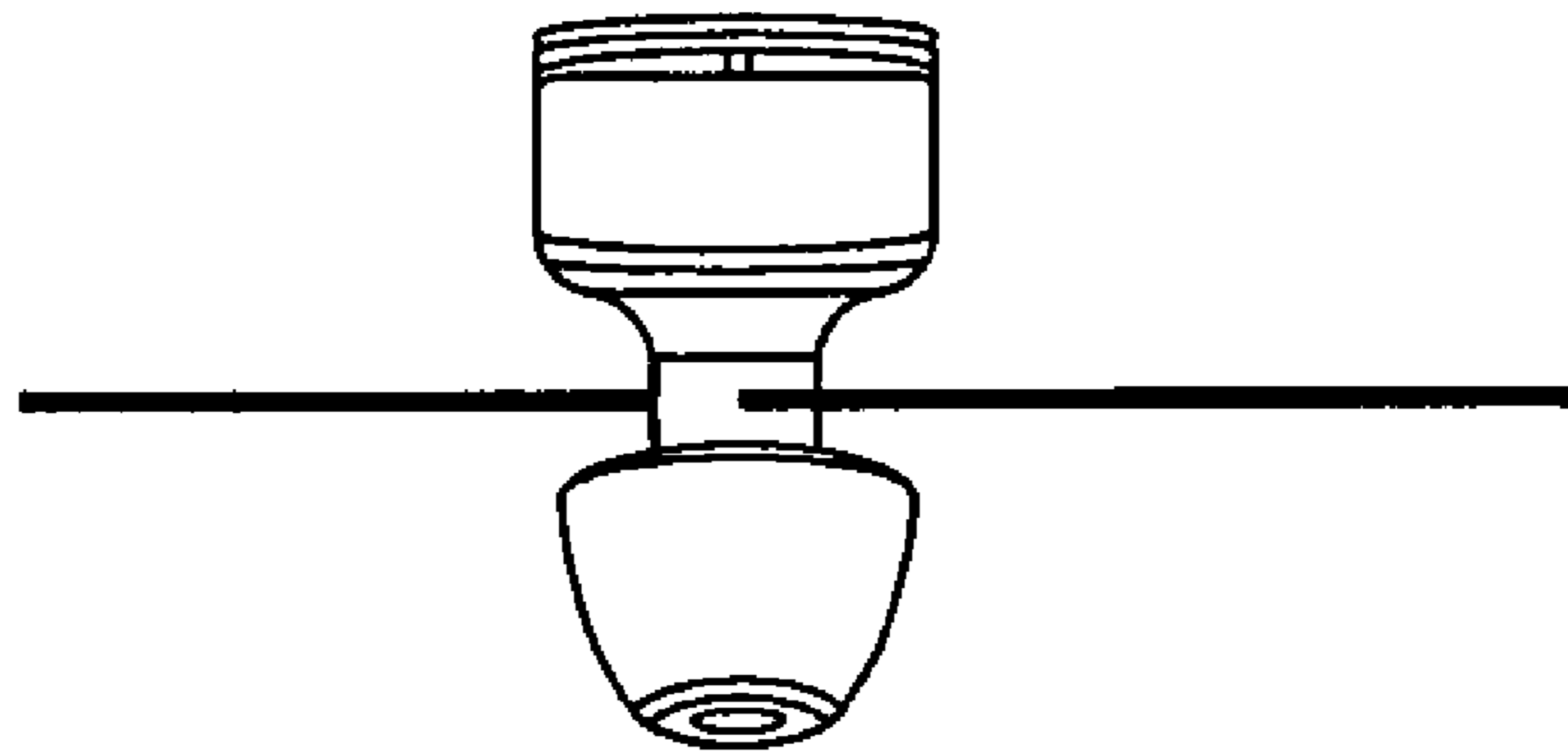


FIG. 23

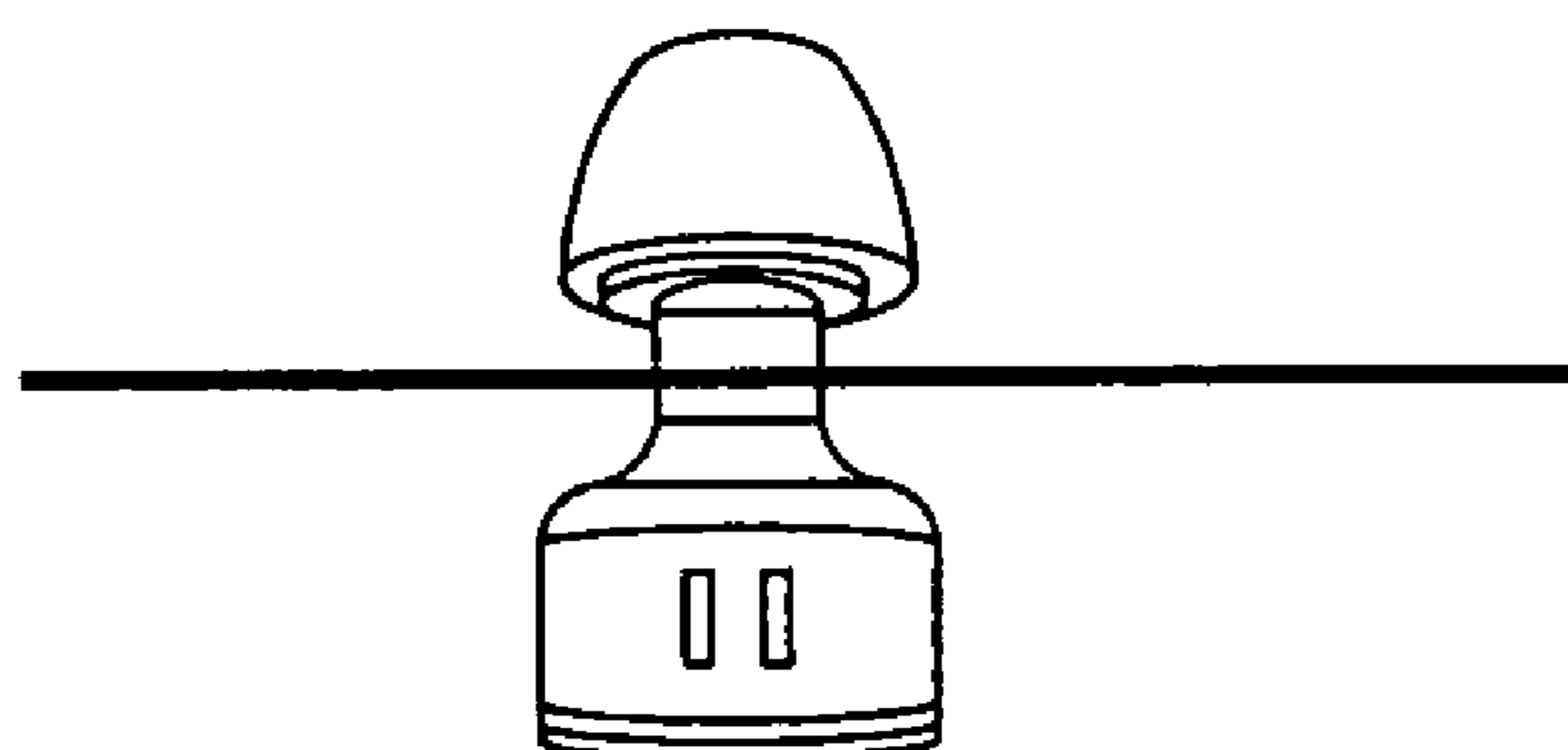


FIG. 24