



US00D566694S

(12) **United States Design Patent**
Kim et al.

(10) **Patent No.:** **US D566,694 S**

(45) **Date of Patent:** **** Apr. 15, 2008**

(54) **HEADSET**

(75) Inventors: **Dong Kyu Kim**, Seoul (KR); **Beom Ku Han**, Seoul (KR); **Chang Soo Lee**, Seoul (KR)

(73) Assignee: **Samsung Electronics Co., Ltd.**, Suwon (KR)

(**) Term: **14 Years**

(21) Appl. No.: **29/268,464**

(22) Filed: **Nov. 7, 2006**

(51) **LOC (8) Cl.** **14-01**

(52) **U.S. Cl.** **D14/223**

(58) **Field of Classification Search** D14/188,
D14/192, 205–206, 223, 225, 228, 138, 167;
181/128–130; 381/380, 381, 370; 455/351;
379/430

See application file for complete search history.

(56) **References Cited**

U.S. PATENT DOCUMENTS

D326,653 S * 6/1992 Hino D14/192
5,519,783 A * 5/1996 Kumar 381/370
D502,166 S * 2/2005 Nakamura D14/167

D504,884 S * 5/2005 Hering D14/206
D515,068 S * 2/2006 White D14/188
D536,694 S * 2/2007 Eroma et al. D14/223
D538,271 S * 3/2007 Kim et al. D14/223
D539,777 S * 4/2007 Pena Angarita D14/138
D539,782 S * 4/2007 Lee D14/188
D542,267 S * 5/2007 Cha et al. D14/206

* cited by examiner

Primary Examiner—Paula A. Greene

(74) *Attorney, Agent, or Firm*—Ladas and Parry LLP

(57) **CLAIM**

We claim the ornamental design for headset, as shown.

DESCRIPTION

FIG. 1 is a front/left-side/top perspective view of a headset showing our new design;

FIG. 2 is a front elevational view thereof;

FIG. 3 is a rear elevational view thereof;

FIG. 4 is a left-side elevational view thereof;

FIG. 5 is a right-side elevational view thereof;

FIG. 6 is a top plan view thereof; and,

FIG. 7 is a bottom plan view thereof.

1 Claim, 4 Drawing Sheets

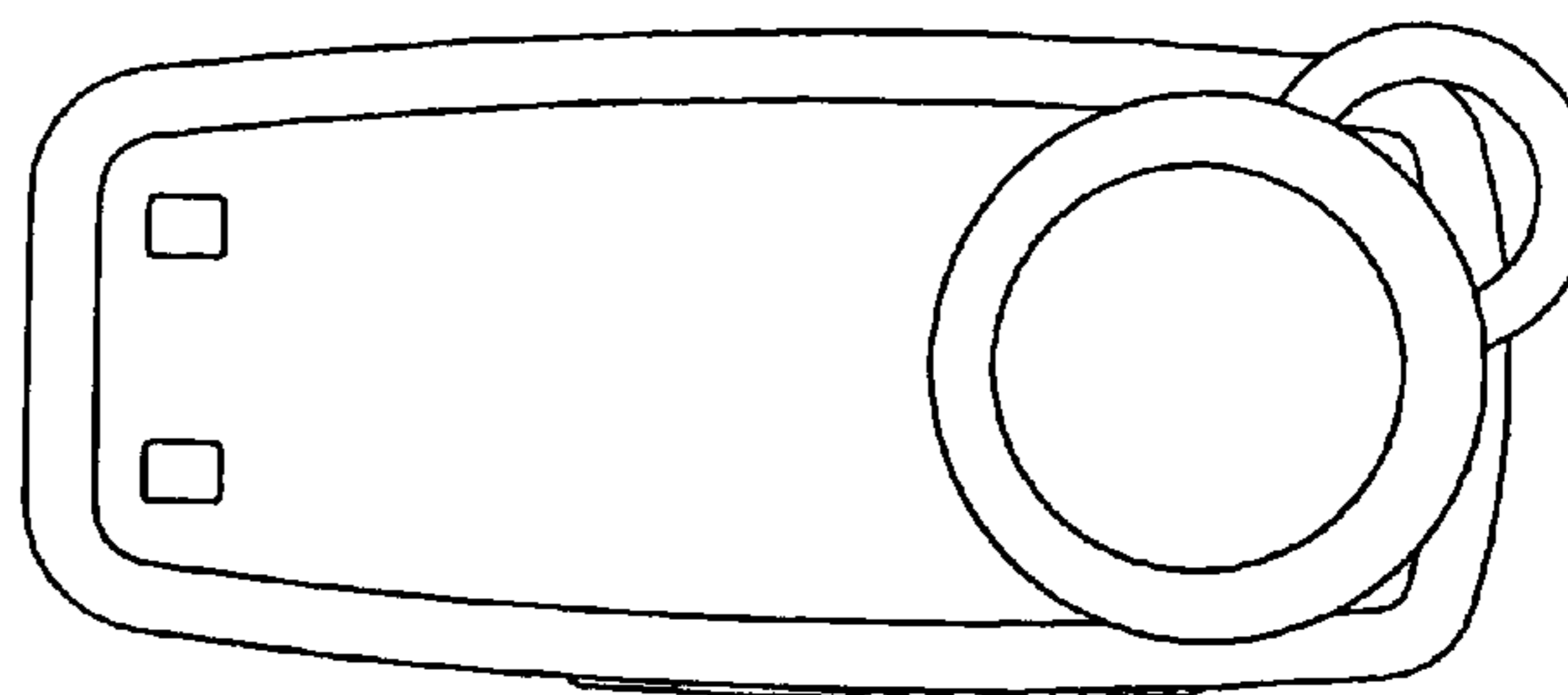
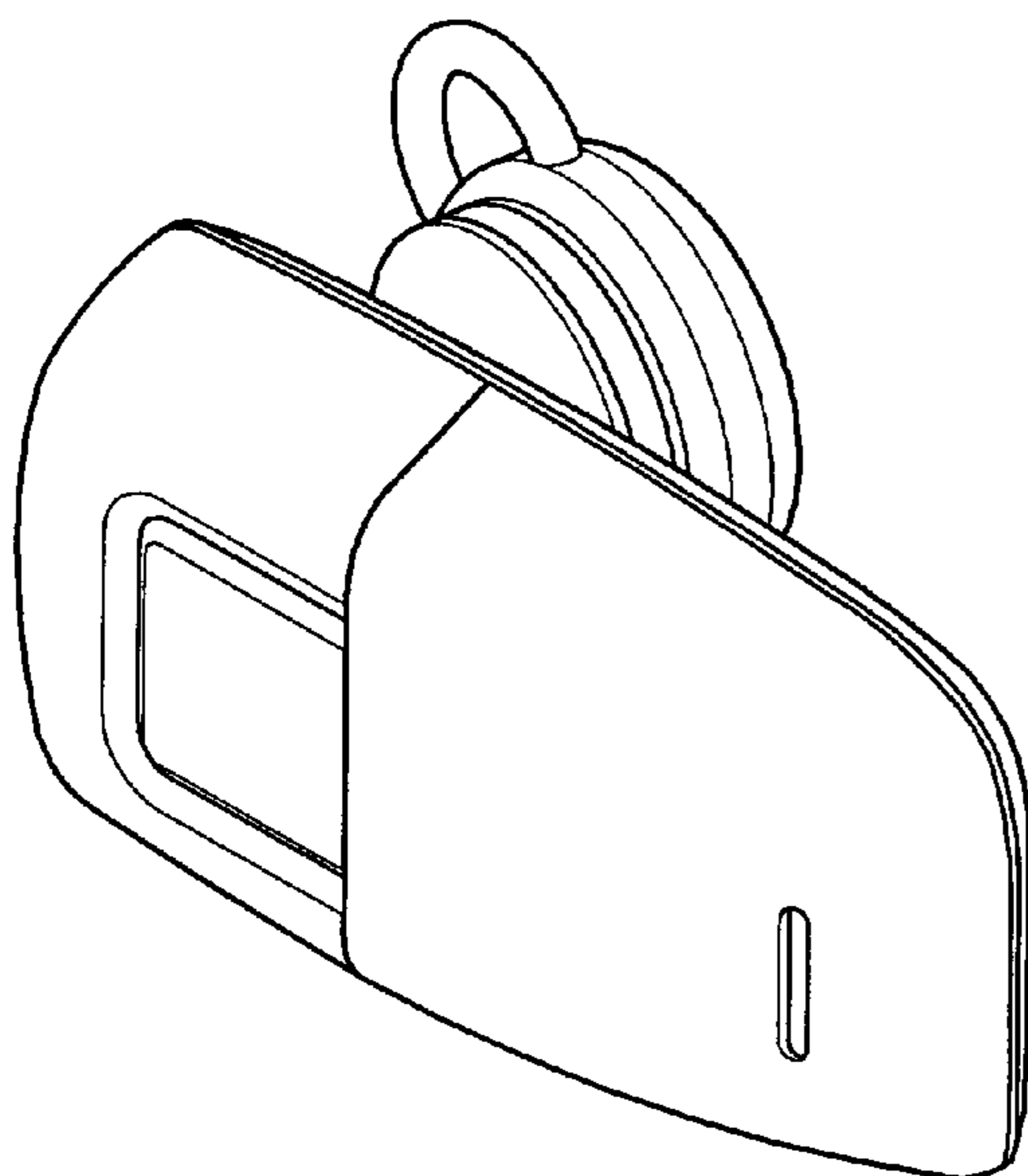


FIG. 1

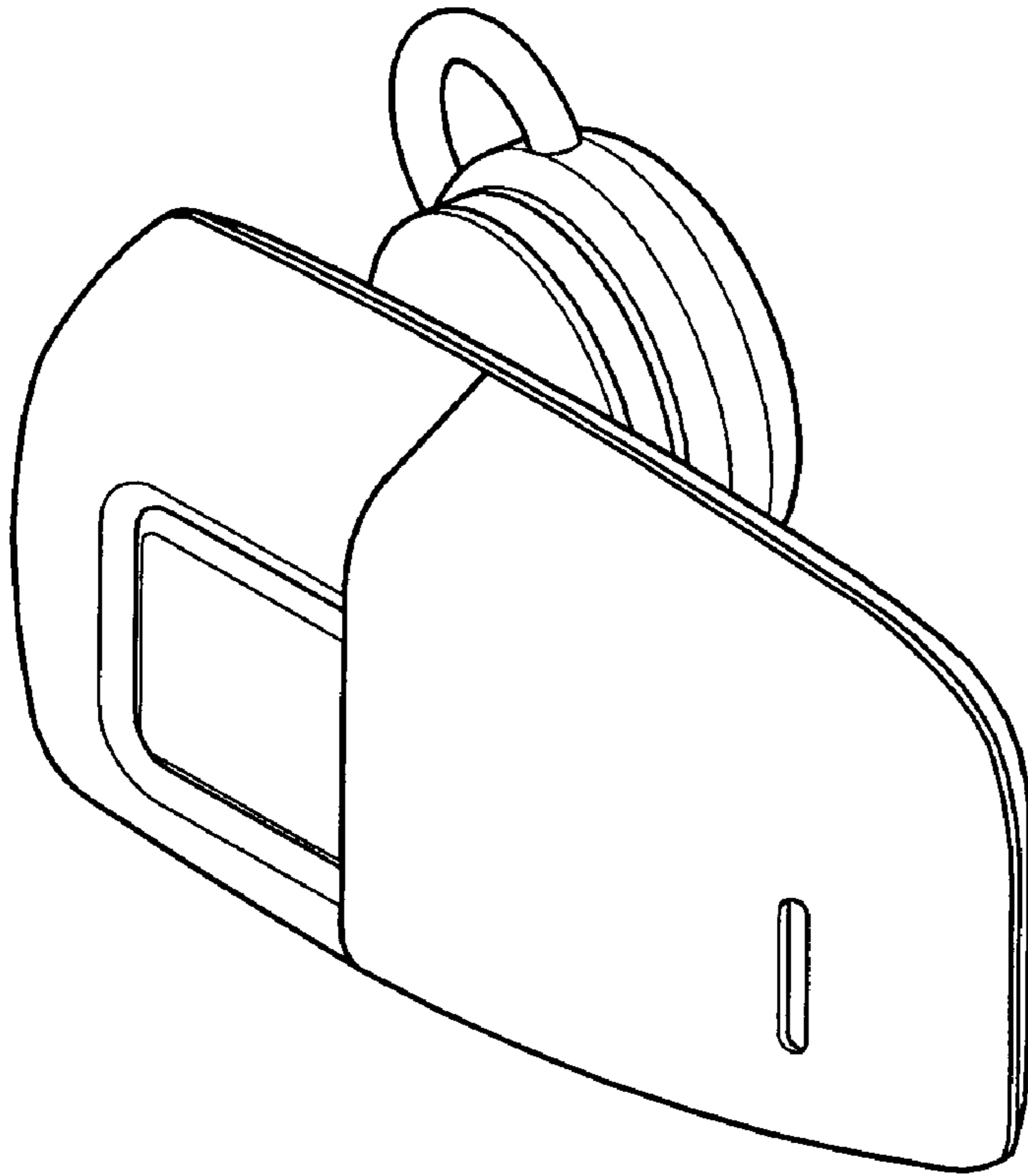


FIG. 2

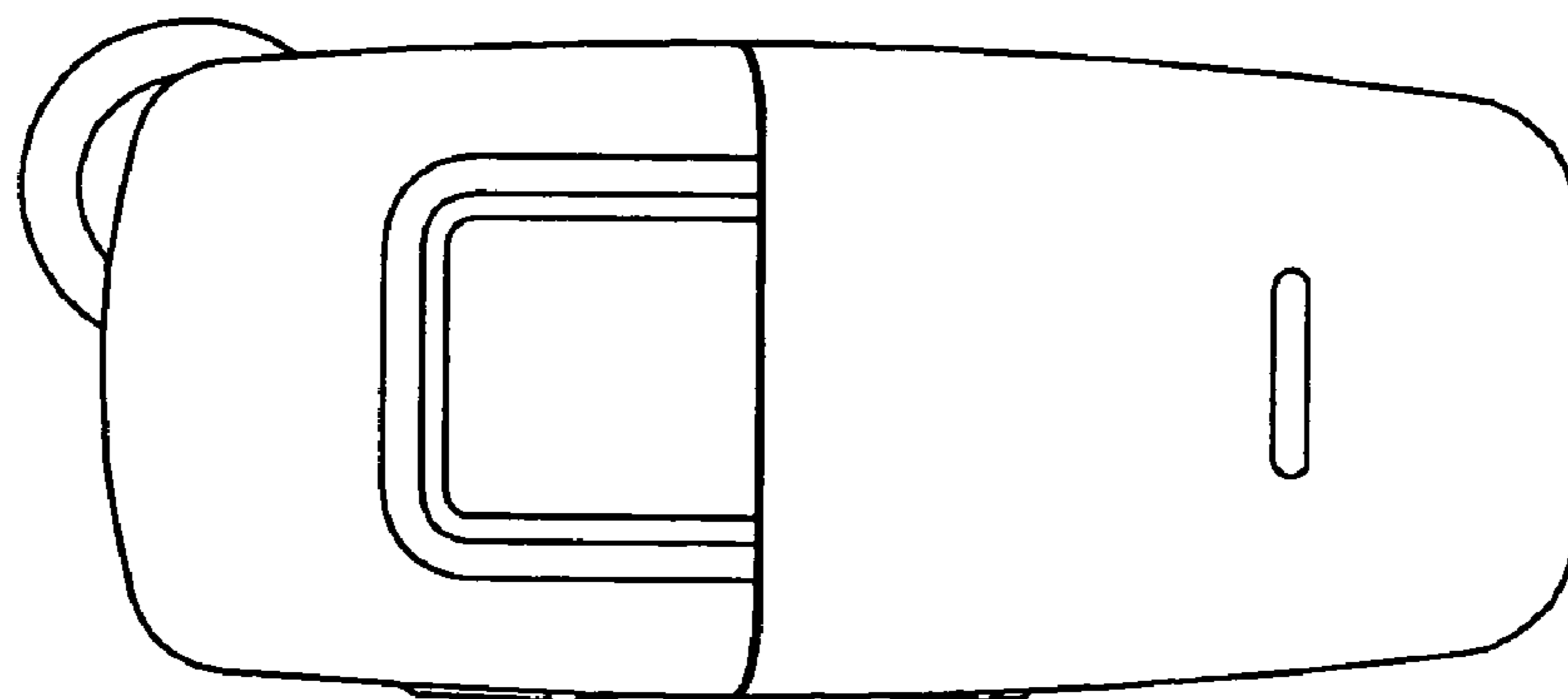


FIG. 3

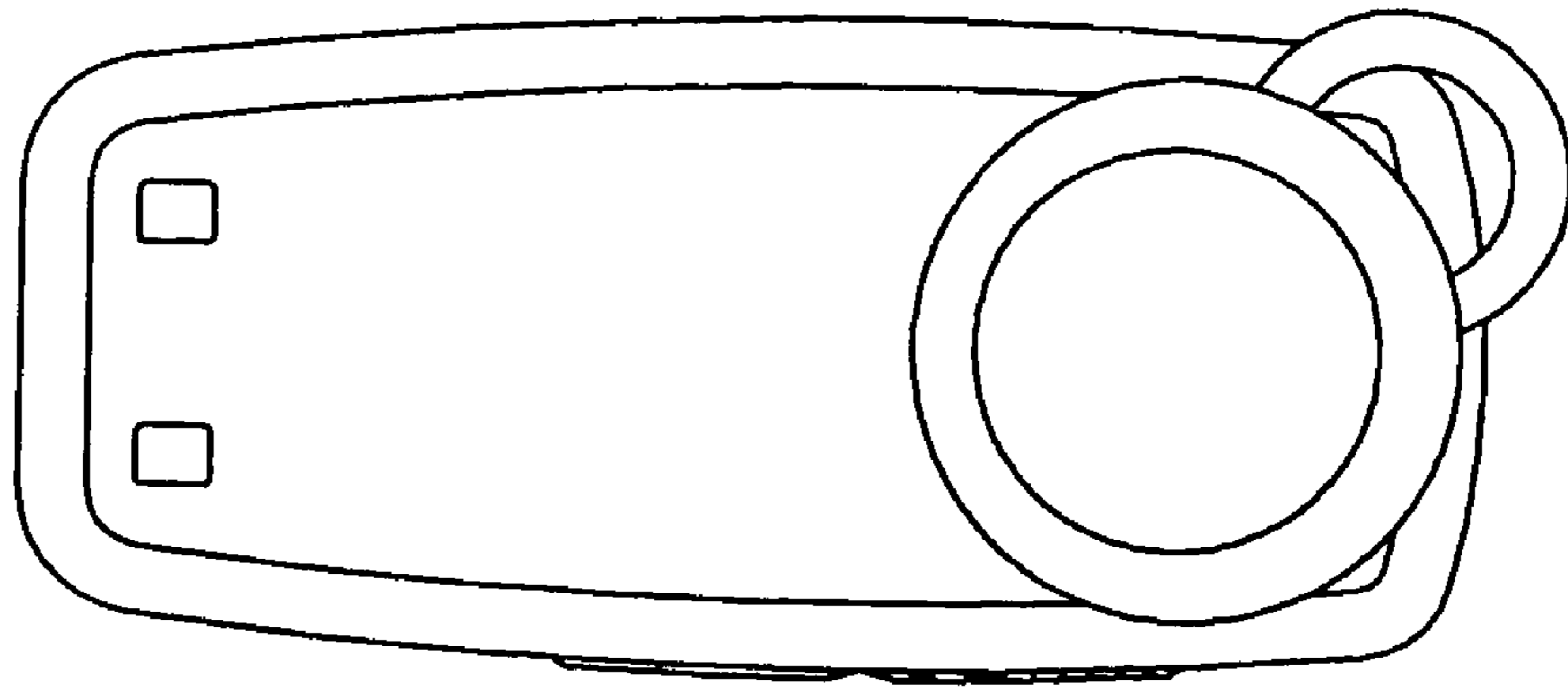


FIG. 4

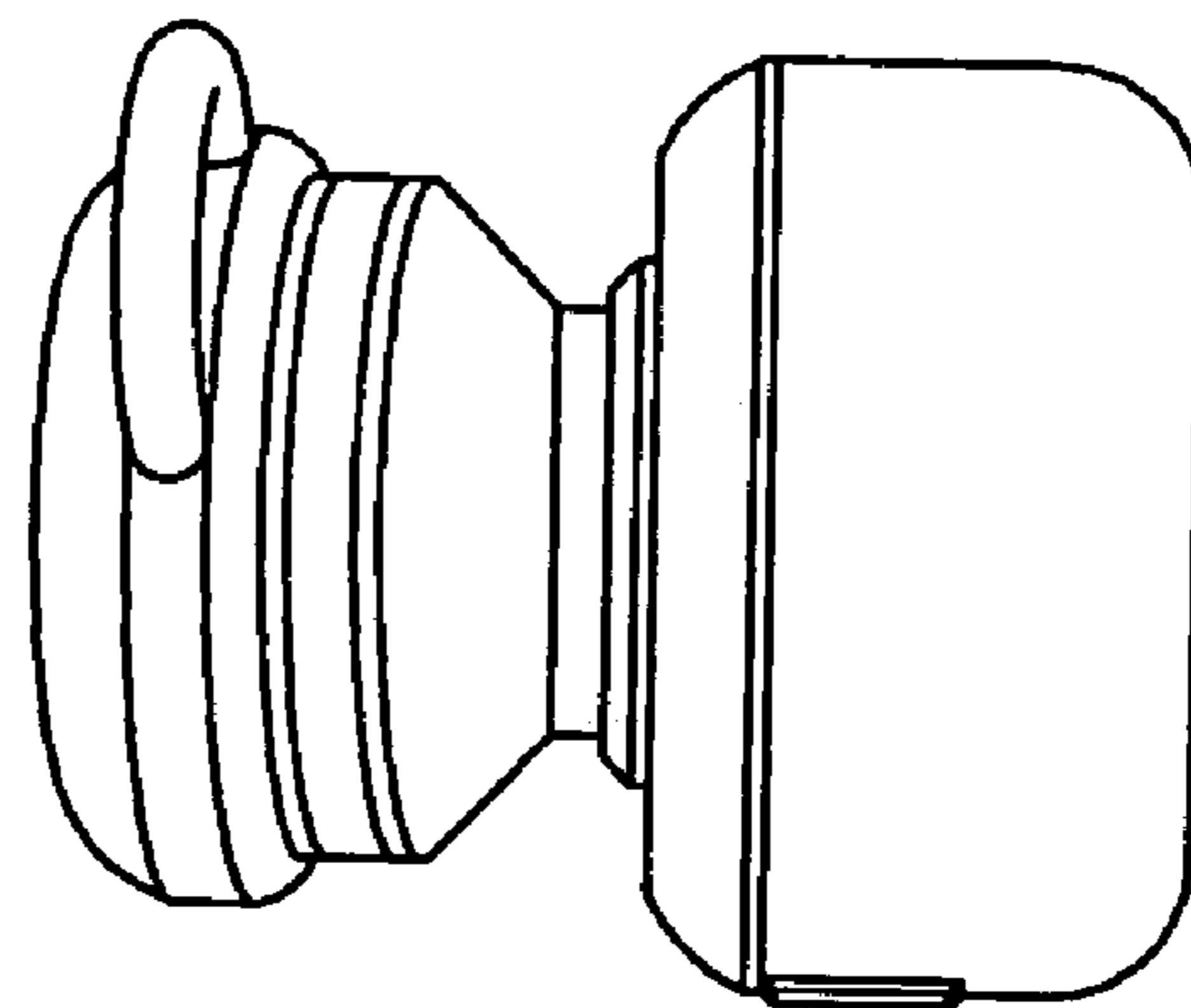


FIG. 5

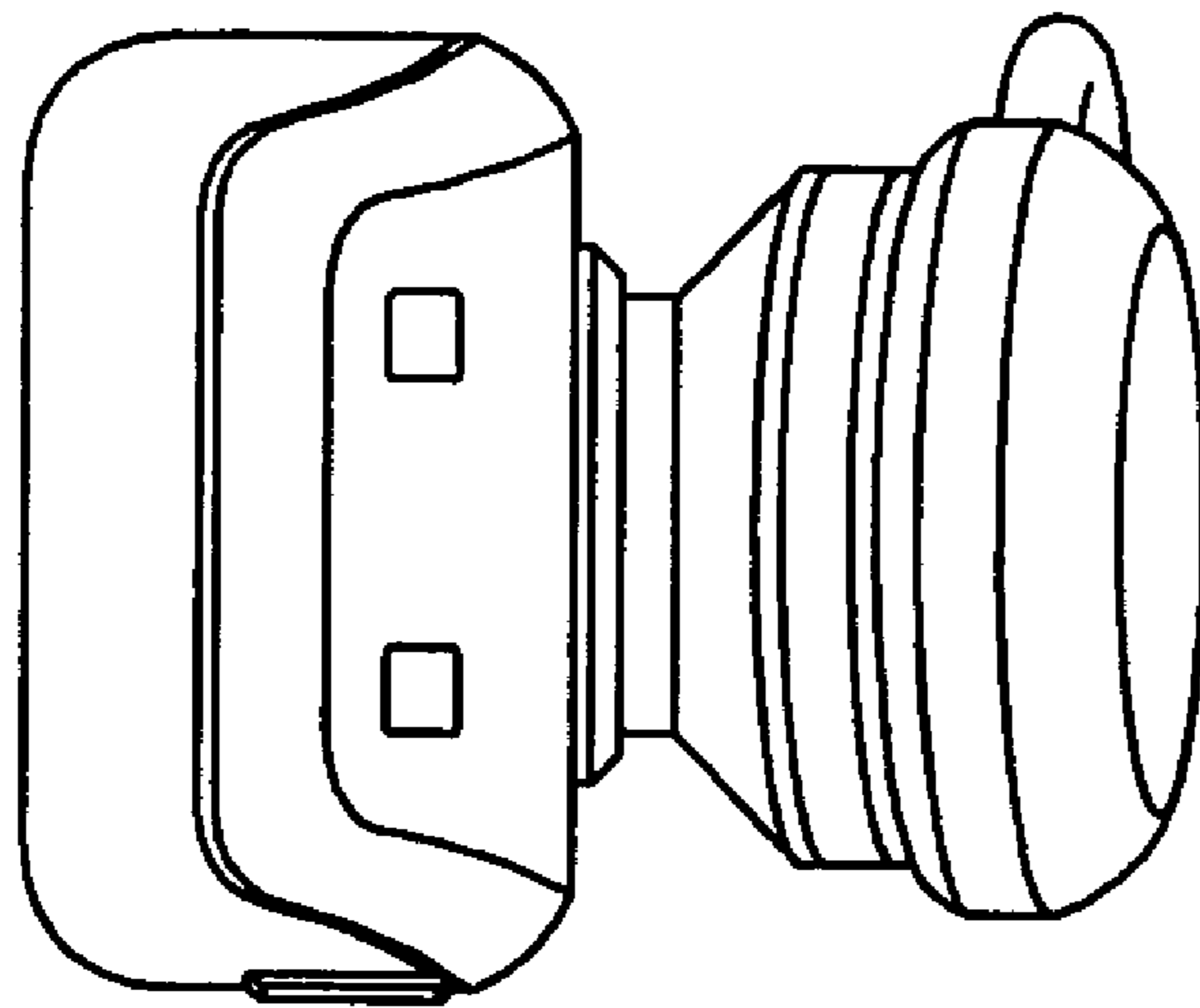


FIG. 6

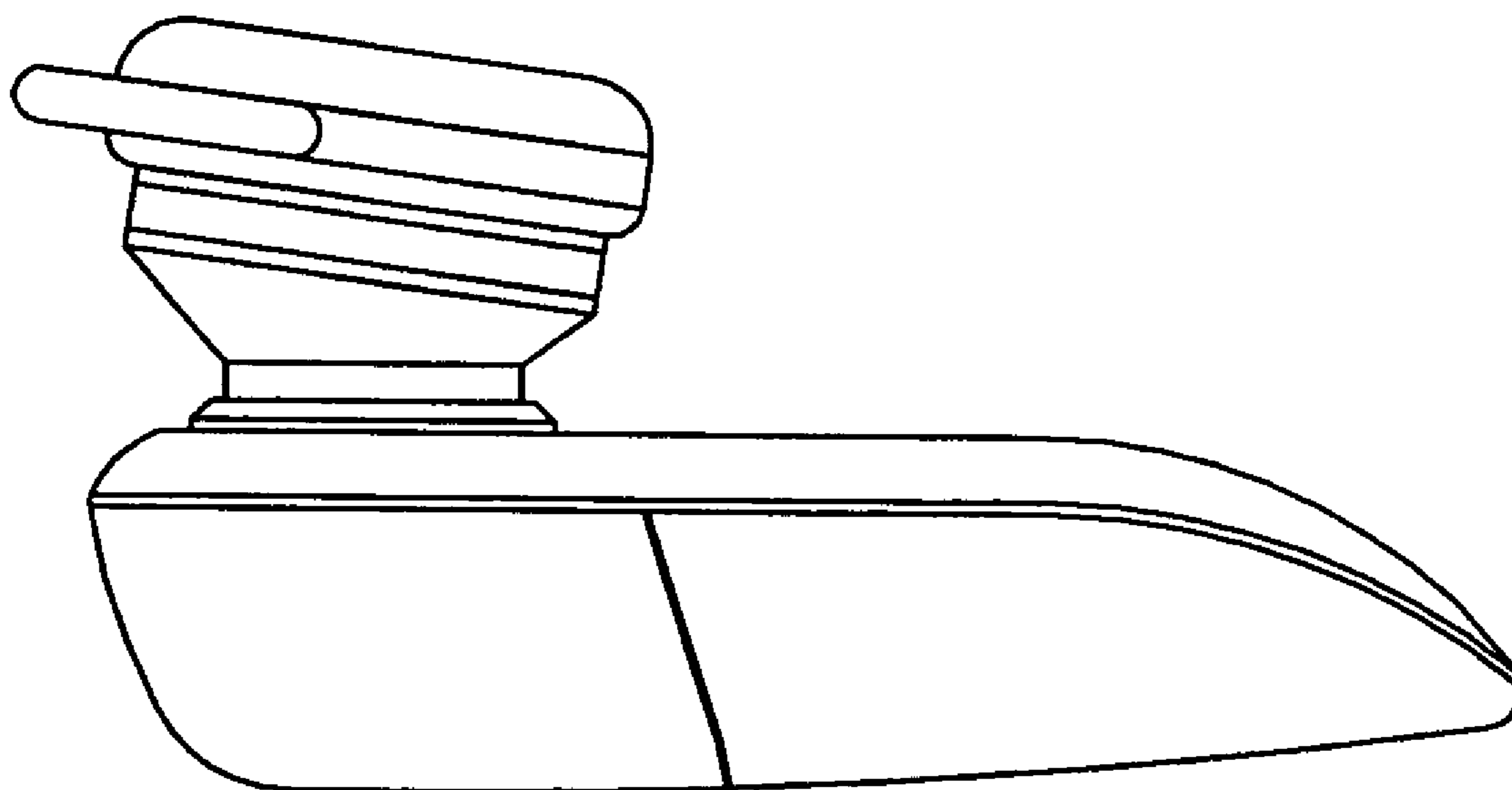


FIG. 7

