



US00D566693S

(12) **United States Design Patent**
Jensen et al.

(10) **Patent No.:** **US D566,693 S**

(45) **Date of Patent:** **** Apr. 15, 2008**

(54) **WIRELESS HEADSET**

(75) Inventors: **Timothy Jacob Jensen**, Hojslev (DK);
Jonas Gaarde, Hojslev (DK); **Johan Lindgren**, Lund (SE)

(73) Assignee: **GN Netcom A/S**, Ballerup (DK)

(**) Term: **14 Years**

(21) Appl. No.: **29/266,635**

(22) Filed: **Sep. 26, 2006**

(30) **Foreign Application Priority Data**

Apr. 6, 2006 (EM) 000509070-0001

(51) **LOC (8) Cl.** **14-01**

(52) **U.S. Cl.** **D14/223**

(58) **Field of Classification Search** D14/138,
D14/188, 192, 205, 206, 223; 181/128-130;
379/430-434; 381/374-380, 381, 370, 385;
D21/329, 333

See application file for complete search history.

(56) **References Cited**

U.S. PATENT DOCUMENTS

4,754,484 A * 6/1988 Larkin et al. 379/430
D326,653 S * 6/1992 Hino D14/192
D445,110 S * 7/2001 MacLeod D14/433

D465,784 S * 11/2002 Lin D14/433
6,760,458 B1 * 7/2004 Bogeskov-Jensen et al. 381/
370

D504,884 S * 5/2005 Hering D14/206
D509,211 S * 9/2005 Han et al. D14/205
D528,531 S * 9/2006 Rose et al. D14/138
D529,021 S * 9/2006 Jensen et al. D14/223
D542,267 S * 5/2007 Cha et al. D14/206

* cited by examiner

Primary Examiner—Paula A. Greene

(74) *Attorney, Agent, or Firm*—Altera Law Group, LLC

(57) **CLAIM**

The ornamental design for wireless headset, as shown and described.

DESCRIPTION

FIG. 1 is a perspective view of the wireless headset.

FIG. 2. is a front view thereof.

FIG. 3. is a back view thereof.

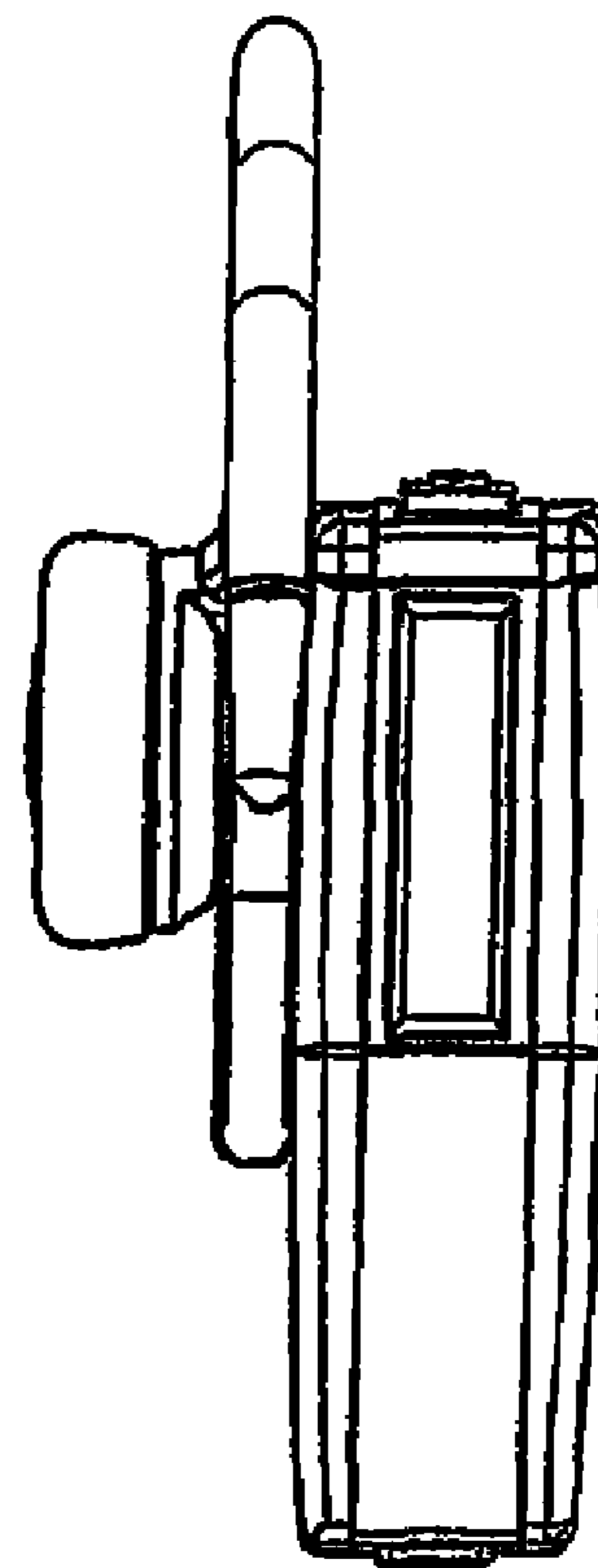
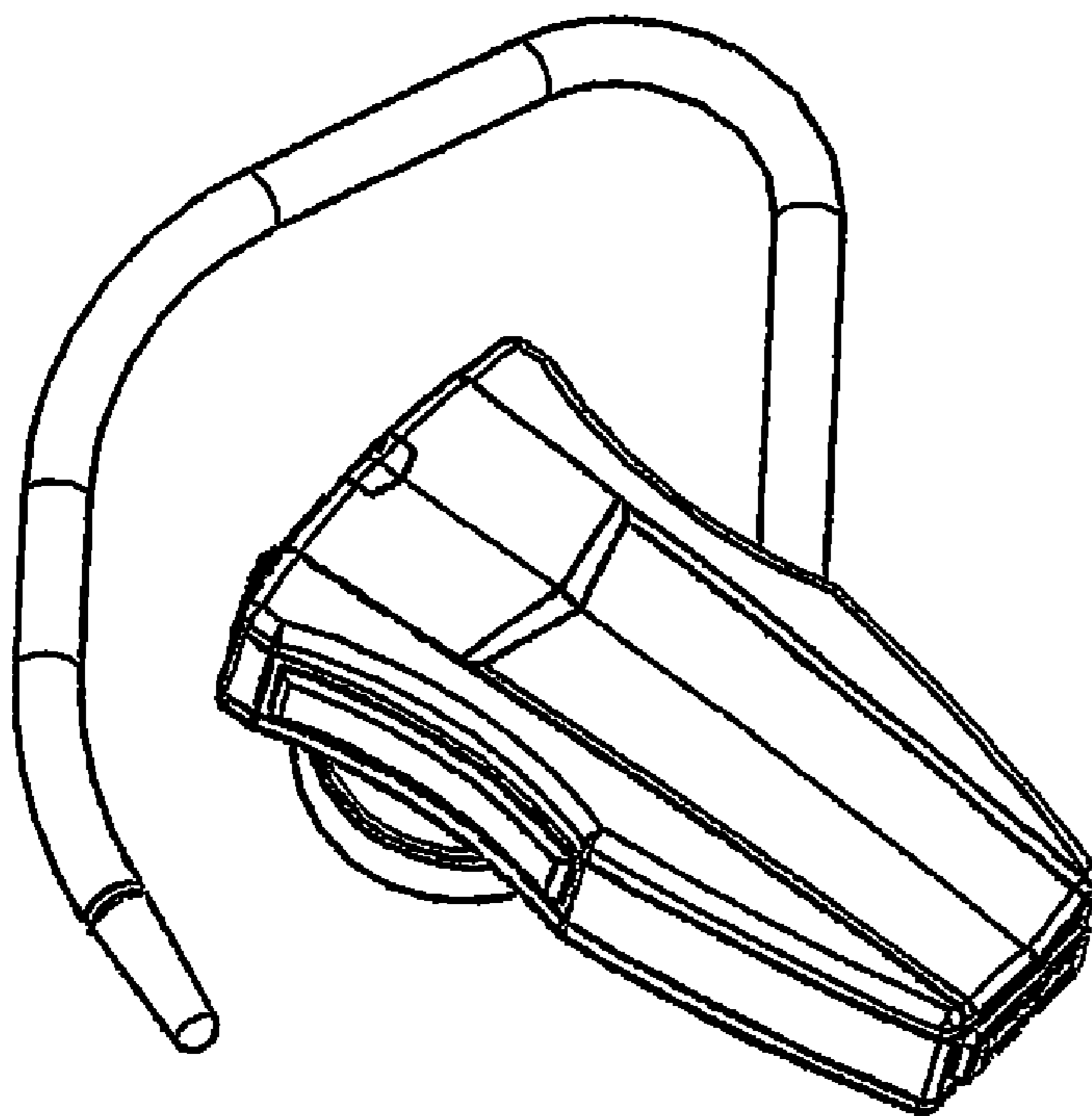
FIG. 4. is a bottom view thereof.

FIG. 5. is a top view thereof.

FIG. 6. is a side view thereof; and,

FIG. 7. is a side view thereof.

1 Claim, 3 Drawing Sheets



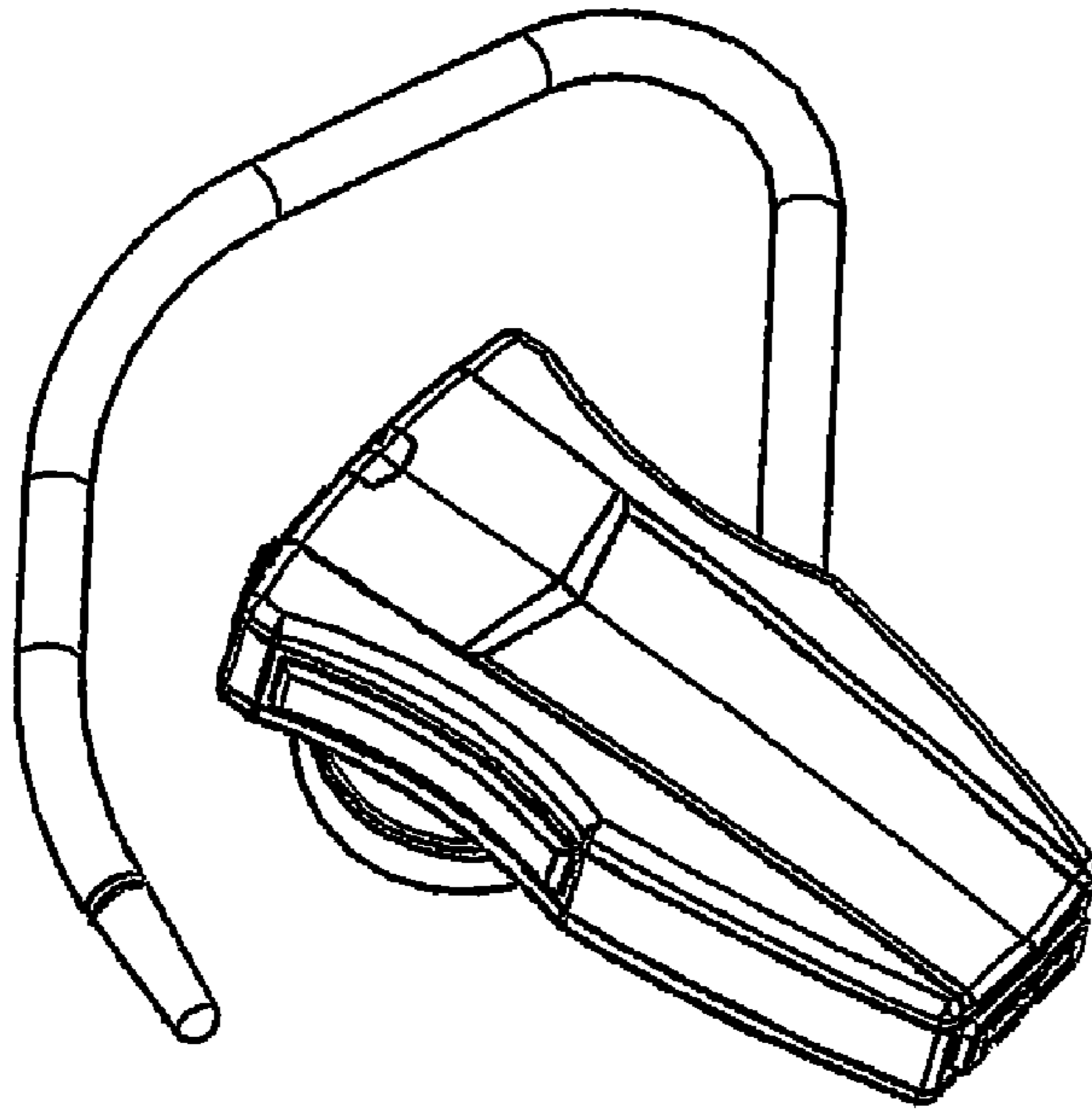


FIGURE 1

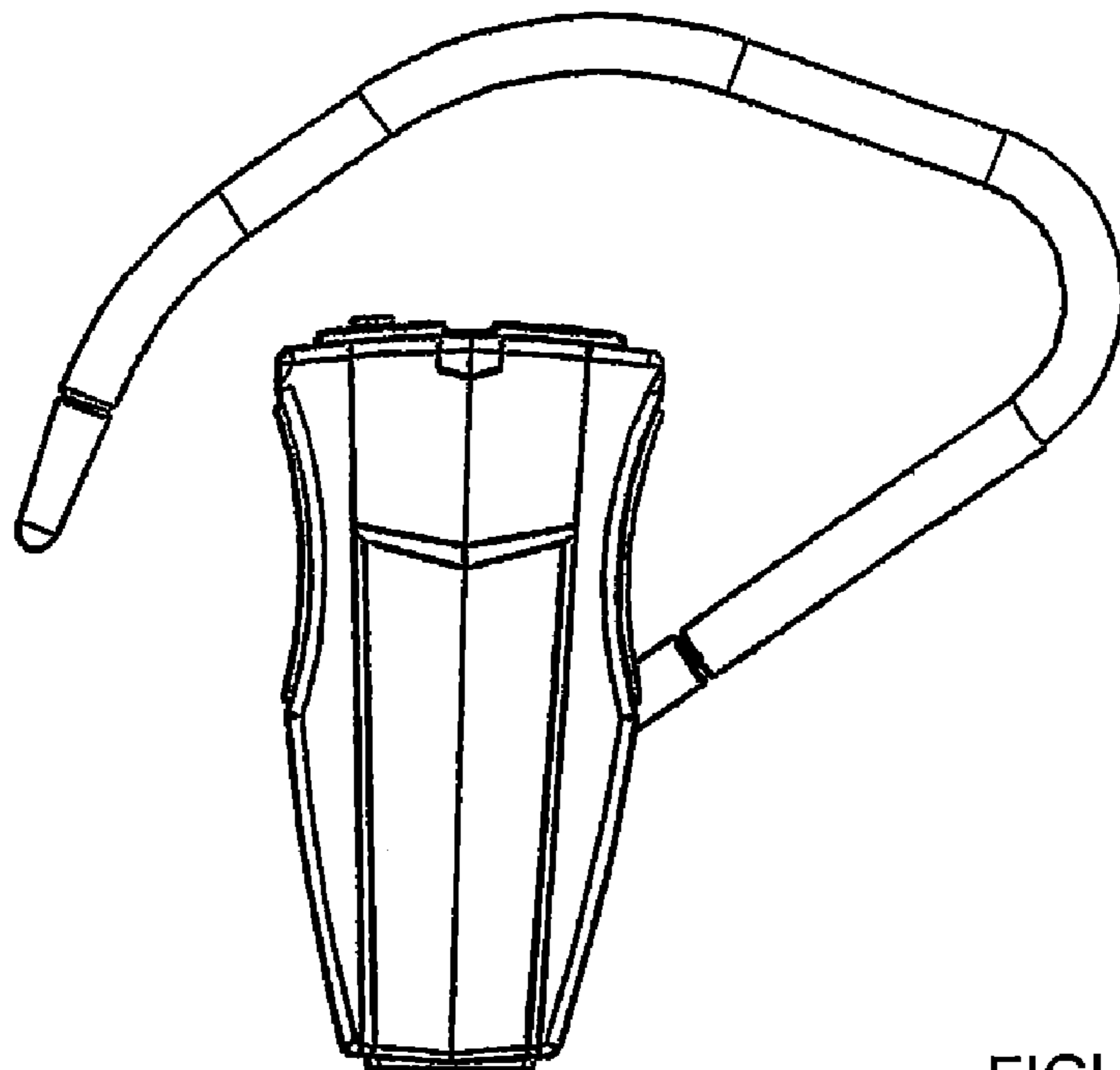


FIGURE 2

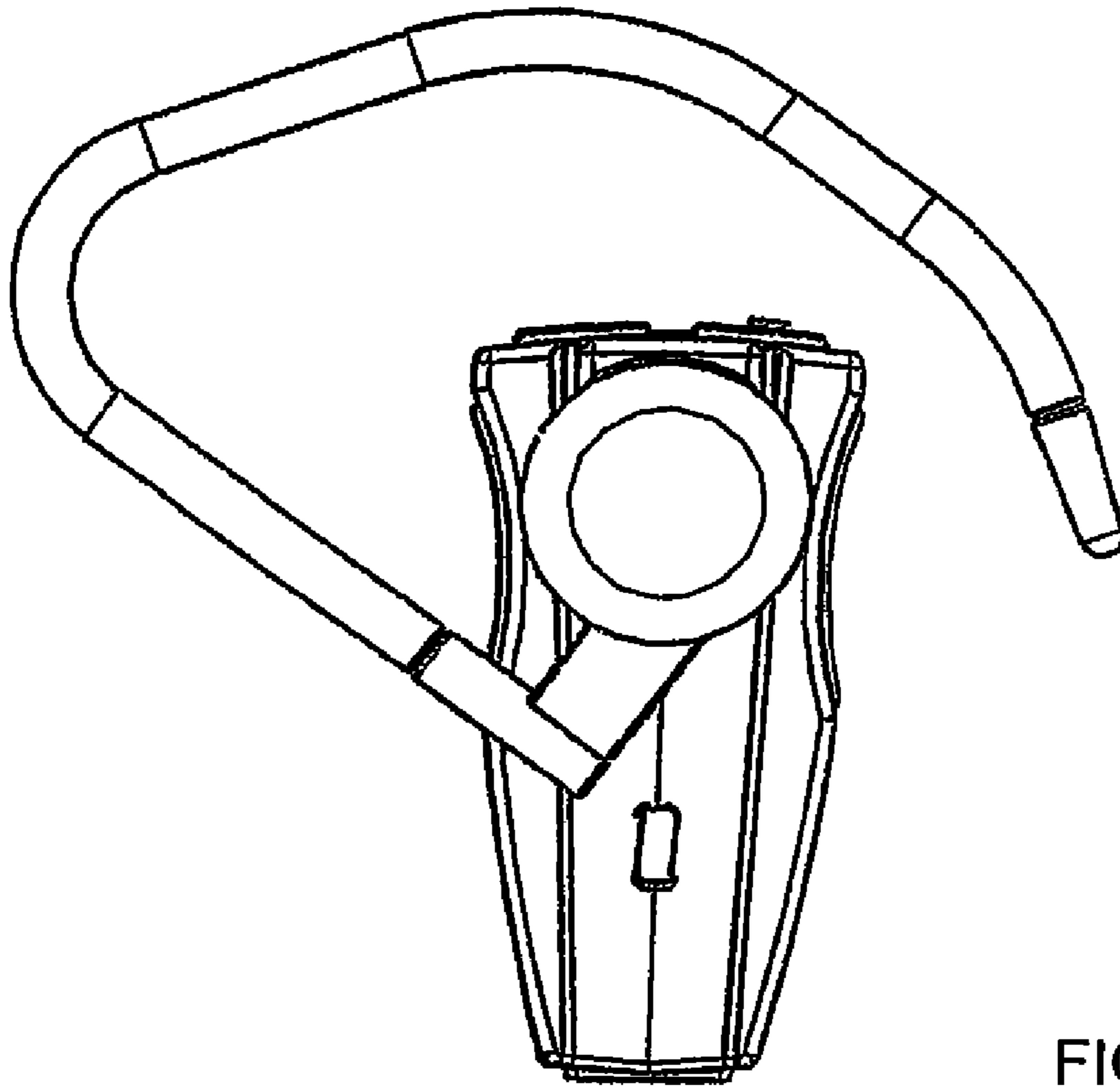


FIGURE 3

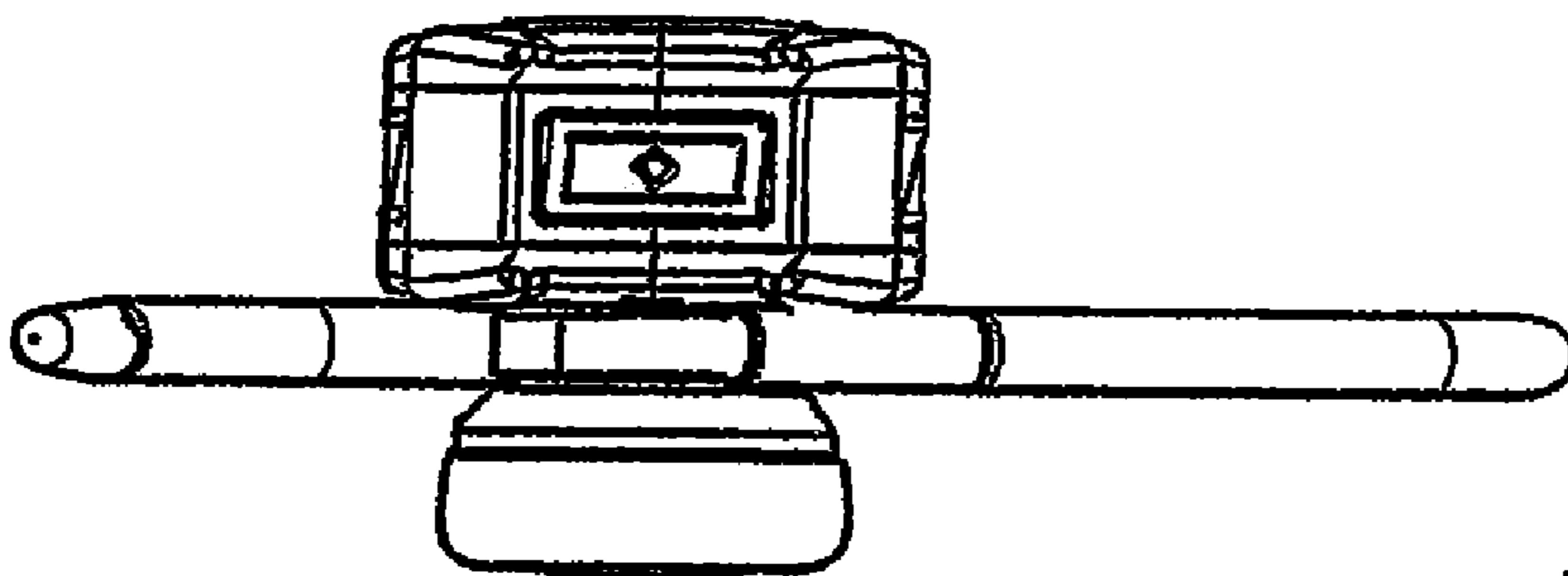


FIGURE 4

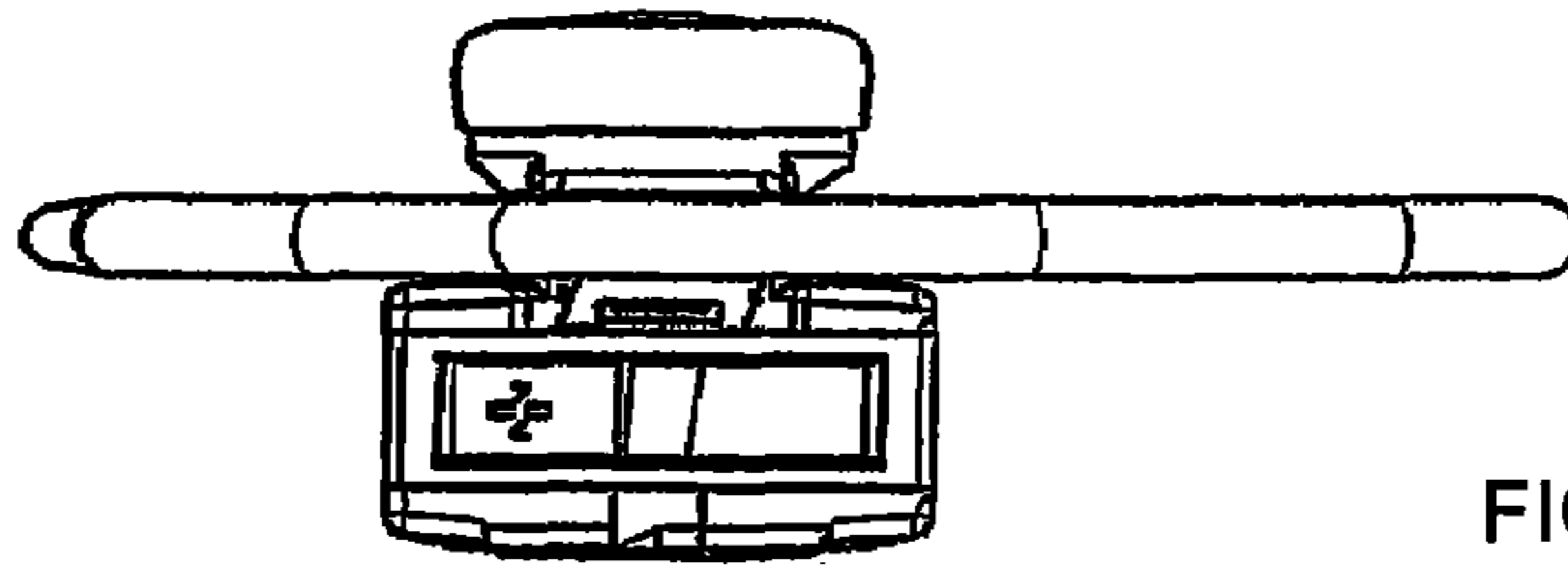


FIGURE 5

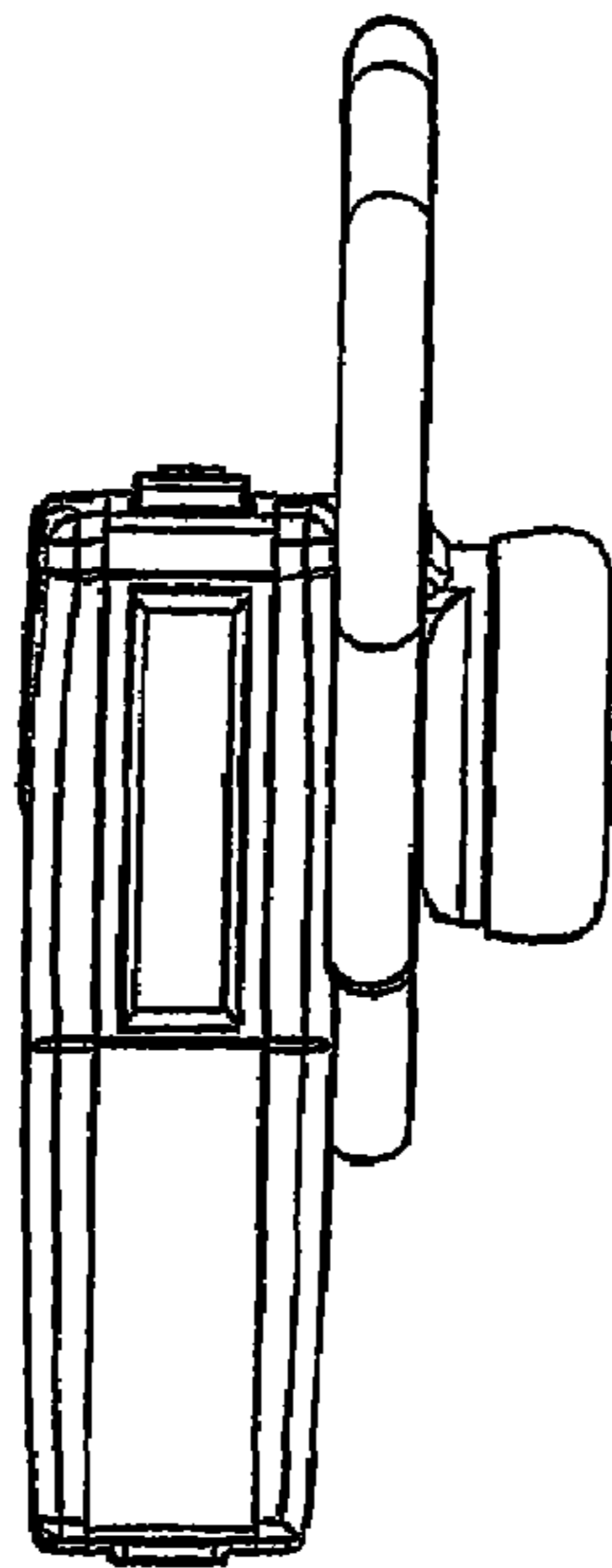


FIGURE 6

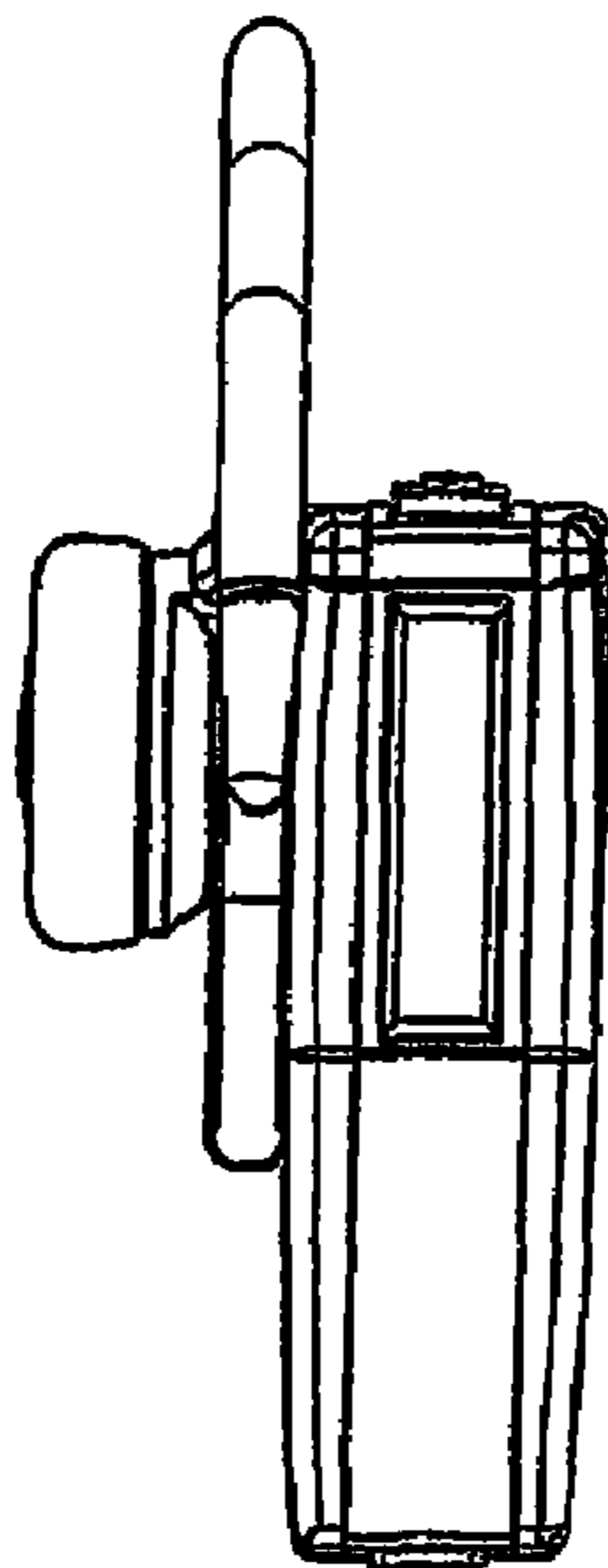


FIGURE 7