

US00D566691S

(12) **United States Design Patent**
Andre et al.

(10) **Patent No.:** **US D566,691 S**
(45) **Date of Patent:** **** Apr. 15, 2008**

(54) **LANYARD**

(75) Inventors: **Bartley K. Andre**, Menlo Park, CA (US); **Daniel J. Coster**, San Francisco, CA (US); **Daniele De Iuliis**, San Francisco, CA (US); **Richard P. Howarth**, San Francisco, CA (US); **Jonathan P. Ive**, San Francisco, CA (US); **Steve Jobs**, Palo Alto, CA (US); **Duncan Robert Kerr**, San Francisco, CA (US); **Shin Nishibori**, San Francisco, CA (US); **Matthew Dean Rohrbach**, San Francisco, CA (US); **Douglas B. Satzger**, Menlo Park, CA (US); **Calvin Q. Seid**, Palo Alto, CA (US); **Christopher J. Stringer**, Woodside, CA (US); **Eugene Antony Whang**, San Francisco, CA (US); **Rico Zorkendorfer**, San Francisco, CA (US)

(73) Assignee: **Apple Inc.**, Cupertino, CA (US)

(**) Term: **14 Years**

(21) Appl. No.: **29/237,691**

(22) Filed: **Sep. 2, 2005**

(51) **LOC (8) Cl.** **14-01**

(52) **U.S. Cl.** **D14/223**

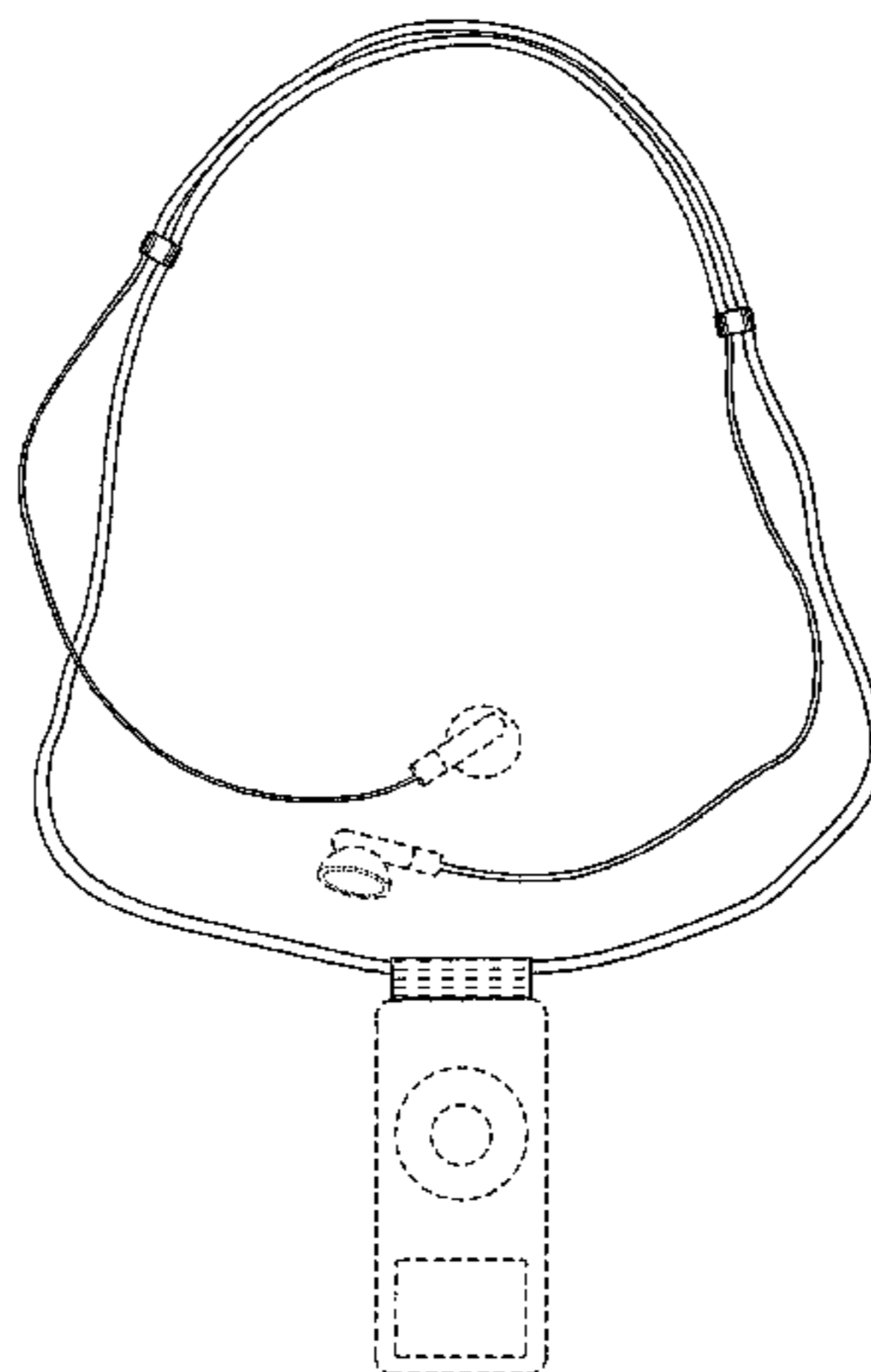
(58) **Field of Classification Search** D14/156,
D14/168, 192, 218, 240, 205, 206, 223, 167,
D14/496; D13/133, 147; D8/395, 383; 381/381,
381/383; 24/130; D3/207-211, 215; D16/339;
224/220, 230, 258; 403/211; D2/607; D11/7
See application file for complete search history.

(56) **References Cited**

U.S. PATENT DOCUMENTS

3,532,837 A * 10/1970 Dyar et al. 381/383
D256,772 S 9/1980 Helgren
4,406,042 A 9/1983 McPhee
4,649,570 A 3/1987 Terbrack et al.
D316,550 S * 4/1991 Sogabe D14/168

D318,473 S 7/1991 Miyashita et al.
D318,670 S 7/1991 Taniguchi
D318,865 S 8/1991 Ichikawa
D326,655 S * 6/1992 Iribe D14/192
D334,043 S * 3/1993 Taniguchi et al. D14/218
5,194,987 A 3/1993 Moore et al.
D338,037 S 8/1993 Miller et al.
D342,449 S 12/1993 Mattheis
D372,420 S 8/1996 Mendez
5,640,459 A 6/1997 Hedeon
5,666,702 A 9/1997 Ming-Chieh
5,708,706 A 1/1998 Hughes et al.
D437,485 S 2/2001 Hicks et al.
6,392,882 B1 5/2002 Chen et al.
D460,432 S * 7/2002 Brown D14/156
D462,523 S 9/2002 Kalbach
D462,689 S 9/2002 Moran
D467,416 S 12/2002 Kalbach
6,517,031 B2 2/2003 Uchiyama
6,550,108 B2 4/2003 Pratl
D475,850 S 6/2003 Andre et al.
D476,149 S 6/2003 Andre et al.
D481,377 S * 10/2003 Eguchi D14/223
6,675,446 B2 1/2004 Buettell
6,691,382 B1 2/2004 Su
6,711,785 B1 3/2004 Hicks et al.
D494,450 S 8/2004 Schultz et al.
6,776,317 B1 8/2004 Parker
D500,302 S 12/2004 Deguchi
D500,485 S 1/2005 Deguchi
6,871,732 B2 3/2005 Flint et al.
D507,261 S 7/2005 Griffin
D509,819 S 9/2005 Yang
D511,157 S * 11/2005 Johnson D14/223
D514,552 S * 2/2006 Lee et al. D14/223
D515,545 S 2/2006 Griffin
D519,731 S 5/2006 Andre et al.
D519,993 S * 5/2006 Montgomery et al. D14/240
7,099,467 B1 8/2006 Rohrbach
D527,723 S 9/2006 Andre et al.
D529,044 S 9/2006 Andre et al.
D530,340 S 10/2006 Andre et al.
D530,342 S 10/2006 Lee et al.
D534,065 S * 12/2006 Andre et al. D8/395
7,148,418 B2 12/2006 Ku et al.
D534,921 S 1/2007 Andre et al.



D538,820 S * 3/2007 Andre et al. D14/496

FOREIGN PATENT DOCUMENTS

JP	D1085073	9/2000
JP	D1085080	9/2000
JP	D1089527	10/2000
JP	D1089528	10/2000
JP	D1089529	10/2000
JP	D1105429	4/2001
JP	D1106452	4/2001
JP	D1121650	7/2001
JP	D1123108	10/2001
JP	D1129386	12/2001
JP	D1129387	12/2001
JP	D1106151	8/2002
JP	D1089530	10/2002
JP	D1154927	10/2002
JP	D11310373	10/2002
JP	D1174623	6/2003
JP	D1174710	6/2003
JP	D1185408	9/2003
JP	D1188267	10/2003
JP	D1191223	12/2003
JP	D1193941	1/2004
JP	D1211811	7/2004
JP	D1211812	7/2004

OTHER PUBLICATIONS

U.S. Appl. No. 29/212,168 entitled "Device Harness" filed Aug. 26, 2004.
 U.S. Appl. No. 29/237,086 entitled "Lanyard" filed Aug. 24, 2005.
 U.S. Appl. No. 29/237,287 entitled "Electronic Device Holder" filed Aug. 24, 2005.
 U.S. Appl. No. 29/237,091 entitled "Clasp", filed Aug. 24, 2005.
 U.S. Appl. No. 29/237,691 entitled "Lanyard" filed Sep. 2, 2005.
 U.S. Appl. No. 29/220,038 entitled "Media Device" filed Dec. 23, 2004.
 U.S. Appl. No. 29/220,035 entitled "Electronic Device" filed Dec. 23, 2004.
 U.S. Appl. No. 29/220,120 entitled "Electronic Device" filed Dec. 23, 2004.
 "ICE Bud: Lanyard Headphones for iPod® nano and shuffle", www.macally.com/spec.ipod/icebud.html, downloaded Nov. 10, 2005.
 "ASCII" weekly publication issued on Jul. 29, 2003, No. 450, Design of USB Memory Audio Player (JPO publicly known Design No. HA15013509) received by the National Center for Industrial Property Information on Jul. 15, 2003.
 "Crucial Gizmo! Hi-Speed 512MB USB Flash Drive", Xtreme Resources: Your Xtreme Hardware Review and News Zone!, www.xtremeresources.com, downloaded Nov. 23, 2005.
 "USB Flash Drive—Style DE (Best Seller)", www.memorysuppliers.com/usbflrstde.html, downloaded Nov. 23, 2005.
 "Iomega Mini USB Drives", www.iomega.com, downloaded Nov. 23, 2005.
 "Verbatim USB Drive Review: Store 'n' Go 512MB", www.audioholics.com, downloaded Nov. 23, 2005.
 Gigabyte GO-U0128B 128MB USB Hard Drive Review—Pcstats.com, www.pcstats.com, downloaded Nov. 23, 2005.
 "Lexar Media JumpDrive Classic USB Flash Drive with Lanyards, 128MB, 3 Pack", www.compusa.com, downloaded Nov. 23, 2005.
 "USB Drive, USB Pen Drive, USB Flash Drive, USB Thumb Drive, Flash Drives, 512MB, 1GB, 2GB, 4GB, 8GB", www.supermediastore.com/usb-flash-drive-usb-flash-drives.html, downloaded Nov. 23, 2005.
 "USB Drive, USB Pen Drive, USB Flash Drive, USB Thumb Drive, Flash Drives, 512MB, 1GB, 2GB, 4GB, 8GB", www.supermediastore.com/usb-flash-drive-usb-flash-drives-pen-drives.html, downloaded Nov. 23, 2005.
 "USB Flash Drives, USB Pen Drives, Portable Memory, Shop for USB Flash Drives" www.flash-memory-store.com..., downloaded Nov. 23, 2005.

"Sony MicroVault 512MB USB 2.0 Flash Drive (00027242645561): Overview", www.dealtime.com..., downloaded Nov. 23, 2005.
 "Philips KEY006 128MB MP3/WMA player/Thumb Drive with Neck Strap Remote", www.amazon.com..., downloaded Nov. 22, 2005.
 Joybee 125 MP3 Player, 128MB, Orange (DA125-128MB-Orange), www.amazon.com..., downloaded Nov. 22, 2005.
 "NEO PIX Live 256 Mb MP3 USB 2.0 USB key", www.pixmania.co.uk... downloaded Nov. 22, 2005.
 "iRiver 1GBMP3 Player with FM Tuner", www.circuitcity.com..., downloaded Nov. 22, 2005.
 "Sony Network Walkman Digital Music Player", www.circuitcity.com..., downloaded Nov. 22, 2005.
 "Samsung 1GB USB Direct-Insert MP3 Player", www.circuitcity.com..., downloaded Nov. 22, 2005.
 "Samsung 512MB Portable Digital Audio Player", www.circuitcity.com..., downloaded Nov. 22, 2005.
 "iRiver 512MB MP3 Jukebox with Color Display", www.circuitcity.com..., downloaded Nov. 22, 2005.
 "Samsung 512MB USB Direct-Insert MP3 Player", www.circuitcity.com..., downloaded Nov. 22, 2005.
 "Creative Zen Nano 512MB MP3 Player (White)", www.circuitcity.com..., downloaded Nov. 22, 2005.
 "SanDisk 512MB MP3 Player", www.circuitcity.com..., downloaded Nov. 22, 2005.
 "YoYo-128MB", www.usb-mp3player.co.uk, downloaded Nov. 22, 2005.
 "Aigo BY06-128MB", www.usb-mp3players.co.uk, downloaded Nov. 22, 2005.
 "Sigmatel USB Mp3 Player", www.intomusic.co.uk/scripts/usb-mp3-wma-player.asp, downloaded Nov. 22, 2005.
 "Transcend 256MB T. Sonic 610 USB MP3 Player", www.supermediastore.com..., downloaded Nov. 22, 2005.
 "Apacer Audio Steno AS820 USB 512MB Flash Drive MP3 Player FM Radio Line-In MP3 Conversion Voice", www.supermidastore.com..., downloaded Nov. 22, 2005.
 "Ennyah Digi Sound 701 Aluminum Case MP3 Player 212MB Silver", www.supermediastore.com..., downloaded Nov. 22, 2005.
 "Artwizz HangPhones Earphones", http://shop.ipodworld.co.uk..., downloaded Jun. 27, 2005.
 "Rio eStore", www.riohome.net/shop/bin... downloaded Jun. 15, 2005.
 "PN10 512MB", www.iriveramerica.com..., downloaded Aug. 23, 2005.
 "iDiddy", www.iddiddy.com downloaded Aug. 24, 2005.

* cited by examiner

Primary Examiner—Paula A. Greene
 (74) Attorney, Agent, or Firm—Sterne, Kessler, Goldstein & Fox P.L.L.C.

(57) CLAIM

We claim the ornamental design for a lanyard, substantially as shown and described.

DESCRIPTION

This application is related to: (i) U.S. Design patent application Ser. No.: 29/237,086 filed Aug. 24, 2005 and entitled "Lanyard", which is hereby incorporated herein by reference (ii) U.S. Design patent application Ser. No.: 29/237,287, filed Aug. 24, 2005 and entitled "Electronic Device Holder", which is hereby incorporated herein by reference, and (iii) U.S. Design patent application Ser. No.: 29/237,091, filed Aug. 24, 2005 and entitled "Clasp", which is hereby incorporated herein by reference.

FIG. 1 is a top perspective view of a lanyard showing our new design, the undisclosed rear is not part of the claimed design;

FIG. 2 is a front perspective view of the electronic device holder of the lanyard shown separately for purposes of illustration, the lanyard is partially drawn for purposes of illustration;

FIG. 3 is a front view thereof;

FIG. 4 is a rear view thereof;

FIG. 5 is a bottom view thereof;

FIG. 6 is a top view thereof;

FIG. 7 is a right side view thereof;

FIG. 8 is a left side view thereof;

FIG. 9 is a perspective view of two cinches of the lanyard shown together for purposes of illustration, the lanyard is partially drawn for purposes of illustration;

FIG. 10 is a front view thereof;

FIG. 11 is a rear view thereof;

FIG. 12 is a bottom view thereof;

FIG. 13 is a top view thereof;

FIG. 14 is a right side view thereof;

FIG. 15 is a left side view thereof; and,

FIG. 16 is a perspective view of a lanyard, the undisclosed rear is not part of the claimed design.

The surfaces of the lanyard as shown in FIG. 1–16 are illustrated at least partially with color designations. The surfaces of the cord are white. The surfaces of the cinches are white. The surfaces of the insert of the electronic device holder are white or light gray and the shell of the electronic device holder is stainless steel, silver, nickel, chrome or the like.

The jack and plug, which extend from the electronic device holder, are shown in broken lines and therefore form no part of the claimed design. In cases where they do form a portion of the claimed design, the jack may include colored surfaces such as for example stainless steel, silver, nickel, chrome or the like, and the plug may include colored surfaces such as white or light gray.

The broken lines illustrating the electronic device are included for the purpose of illustrating environmental structure only and form no part of the claimed design.

In FIGS. 1 and 16, at least a portion of the cords of the lanyard may be attached to earphones or earbuds as shown by the broken lines.

1 Claim, 4 Drawing Sheets

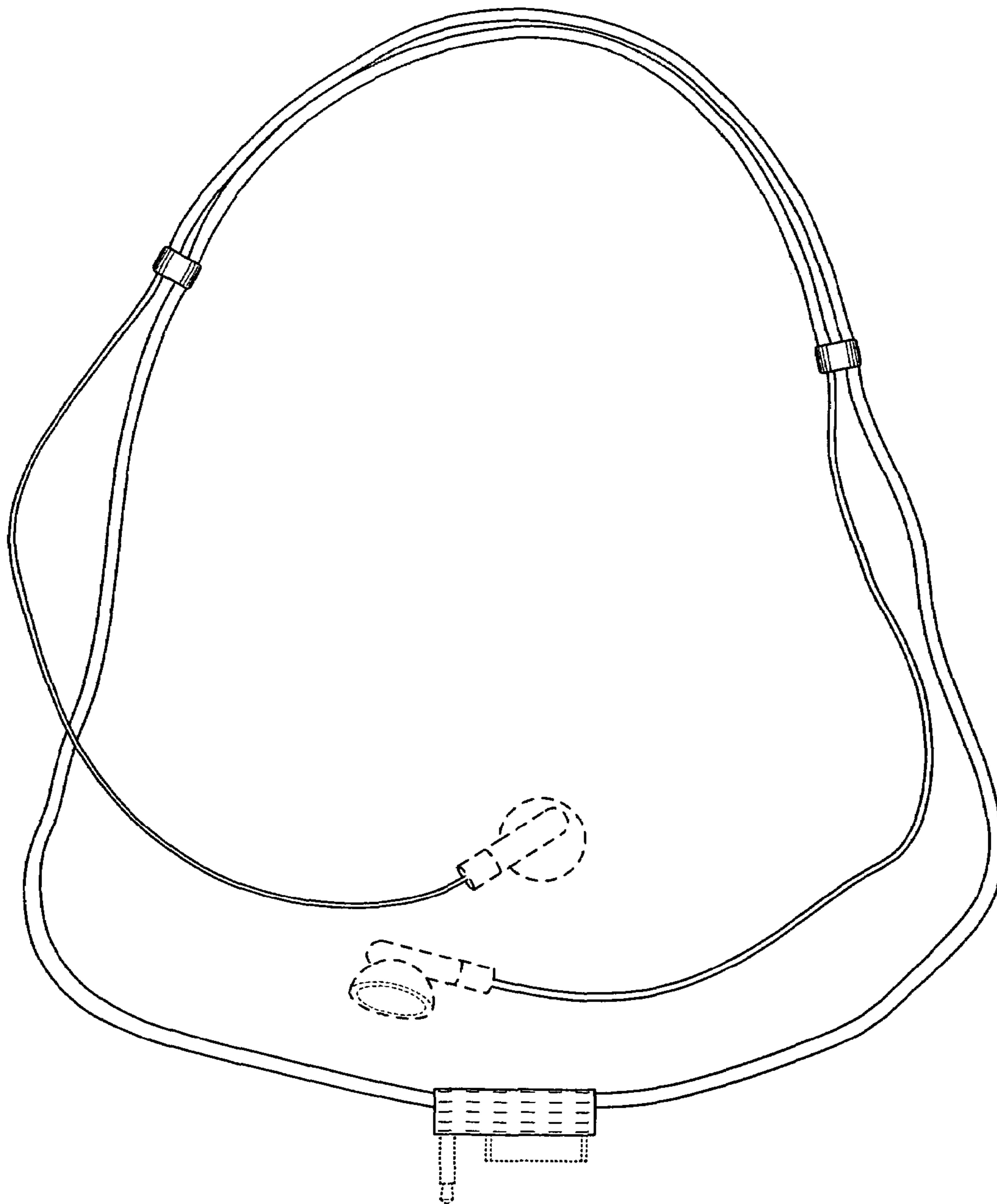


FIG. 1

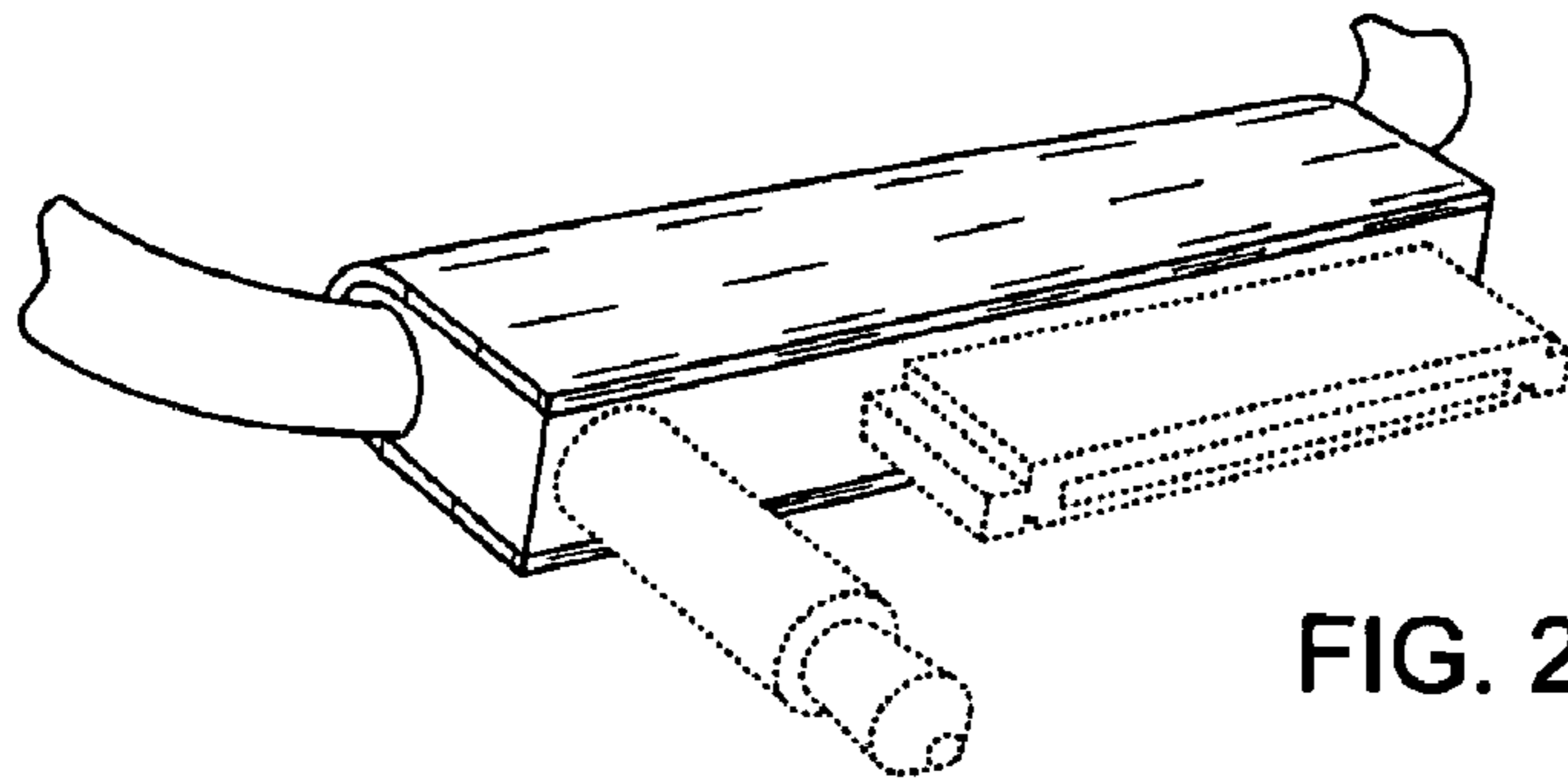


FIG. 2

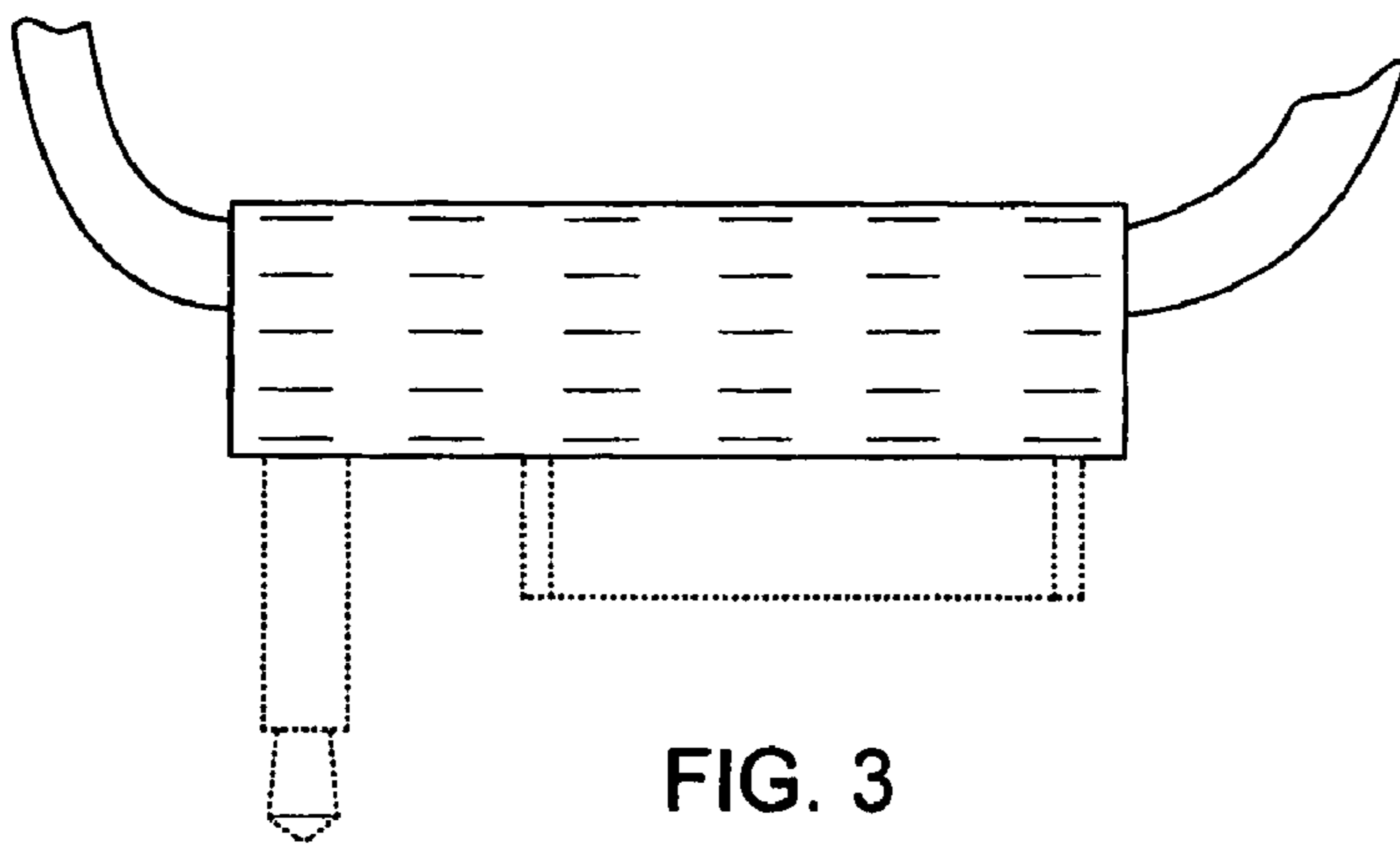


FIG. 3

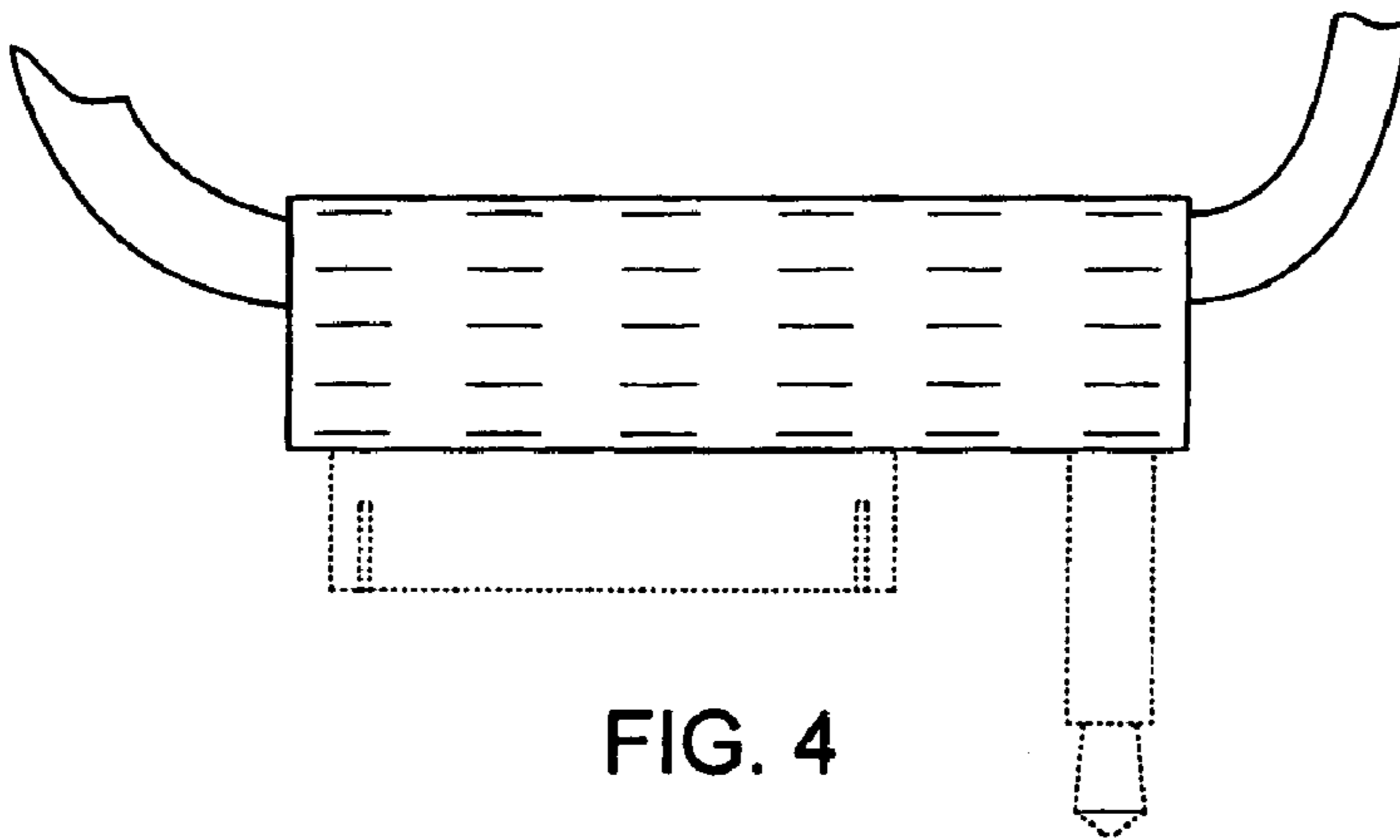


FIG. 4

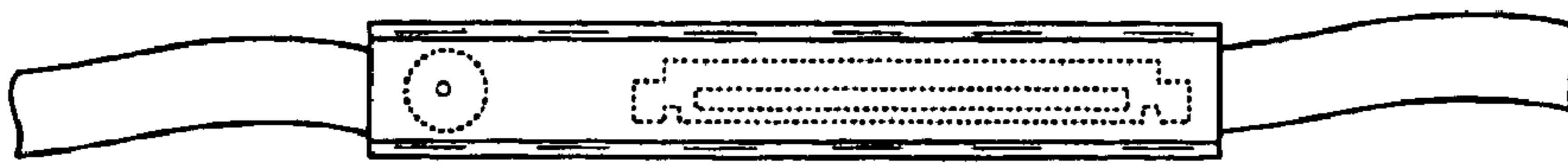


FIG. 5

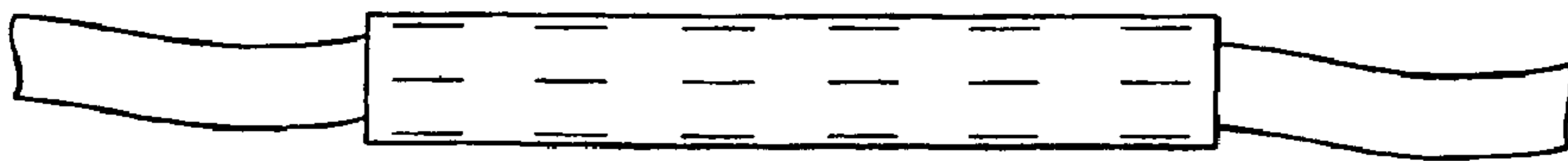


FIG. 6

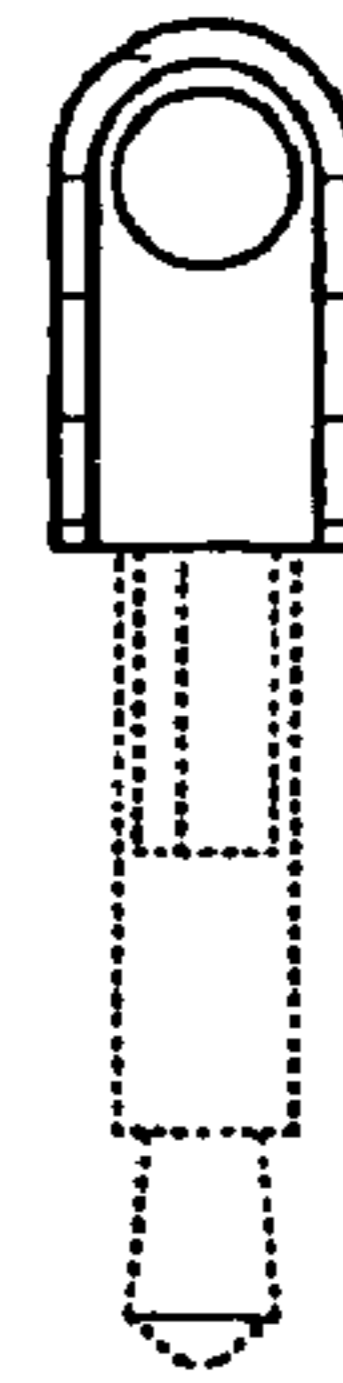


FIG. 7

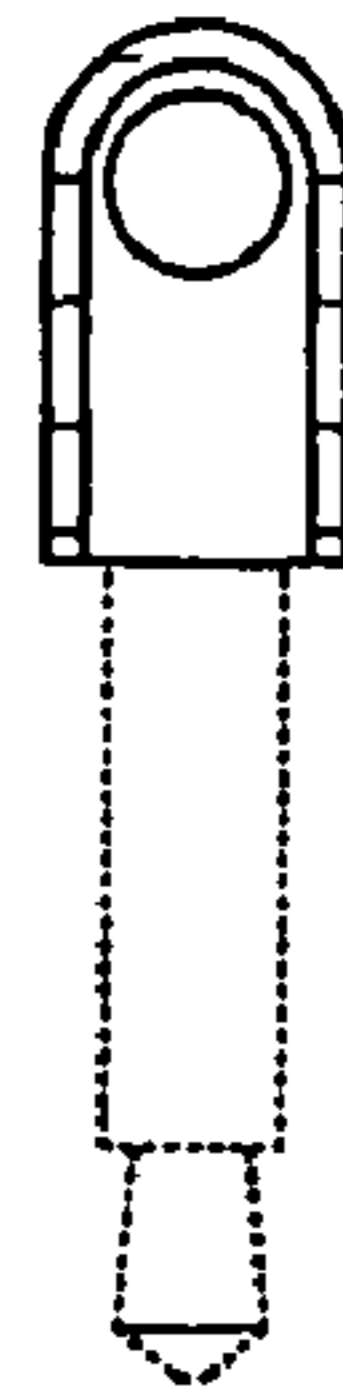


FIG. 8

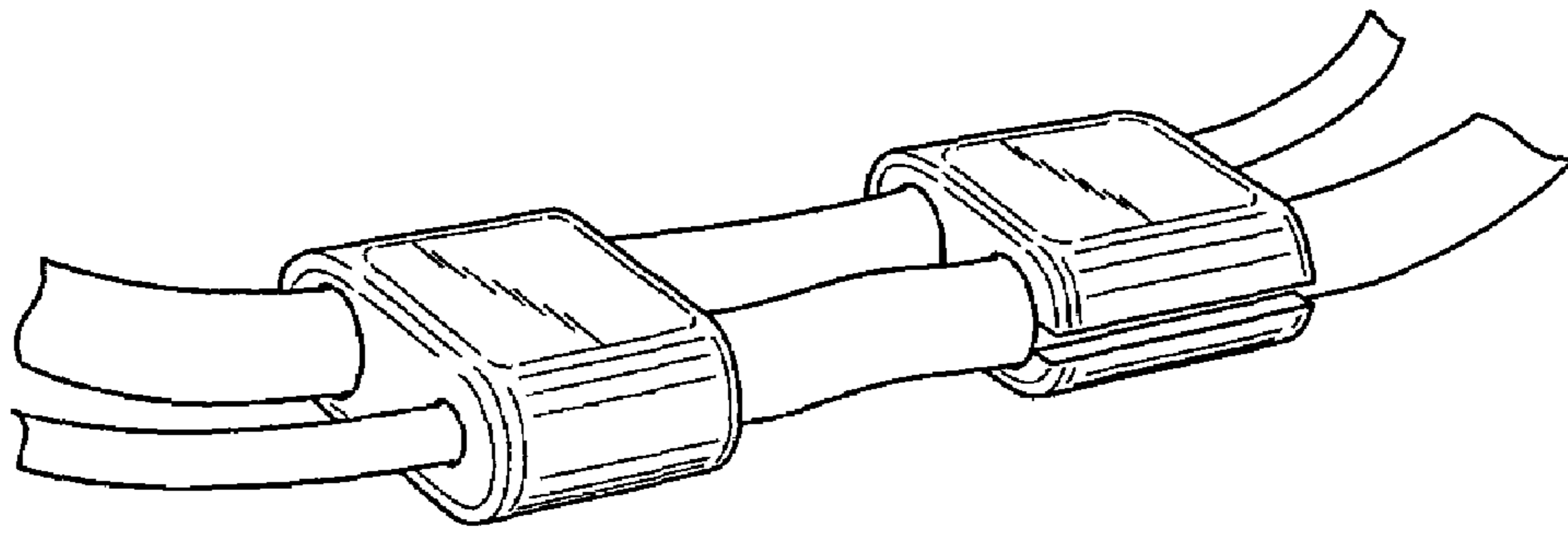


FIG. 9

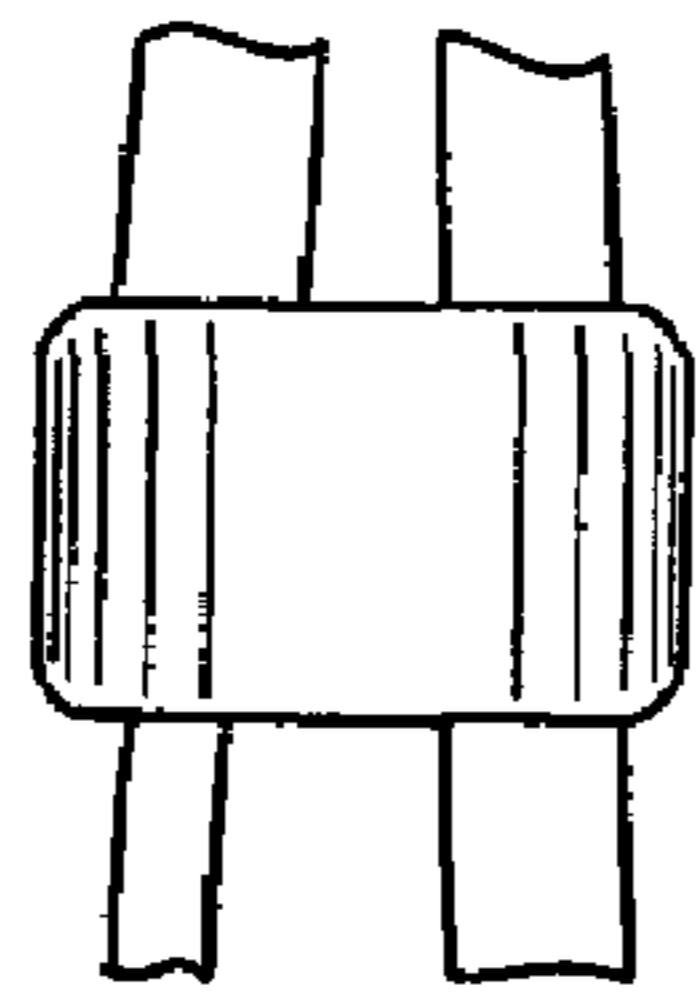


FIG. 10

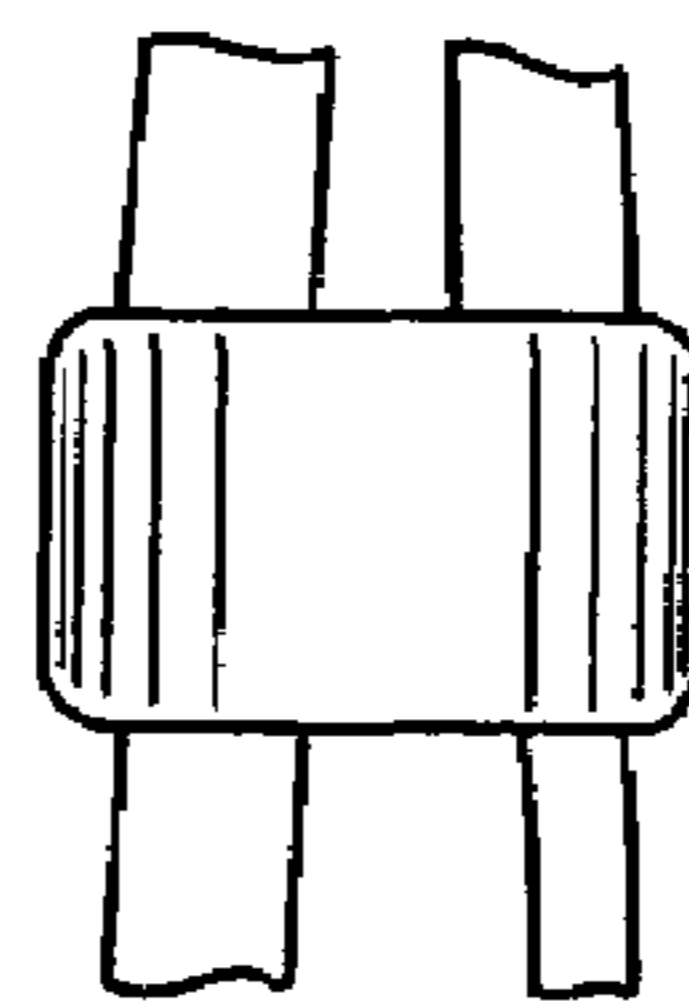


FIG. 11



FIG. 12



FIG. 13



FIG. 14



FIG. 15

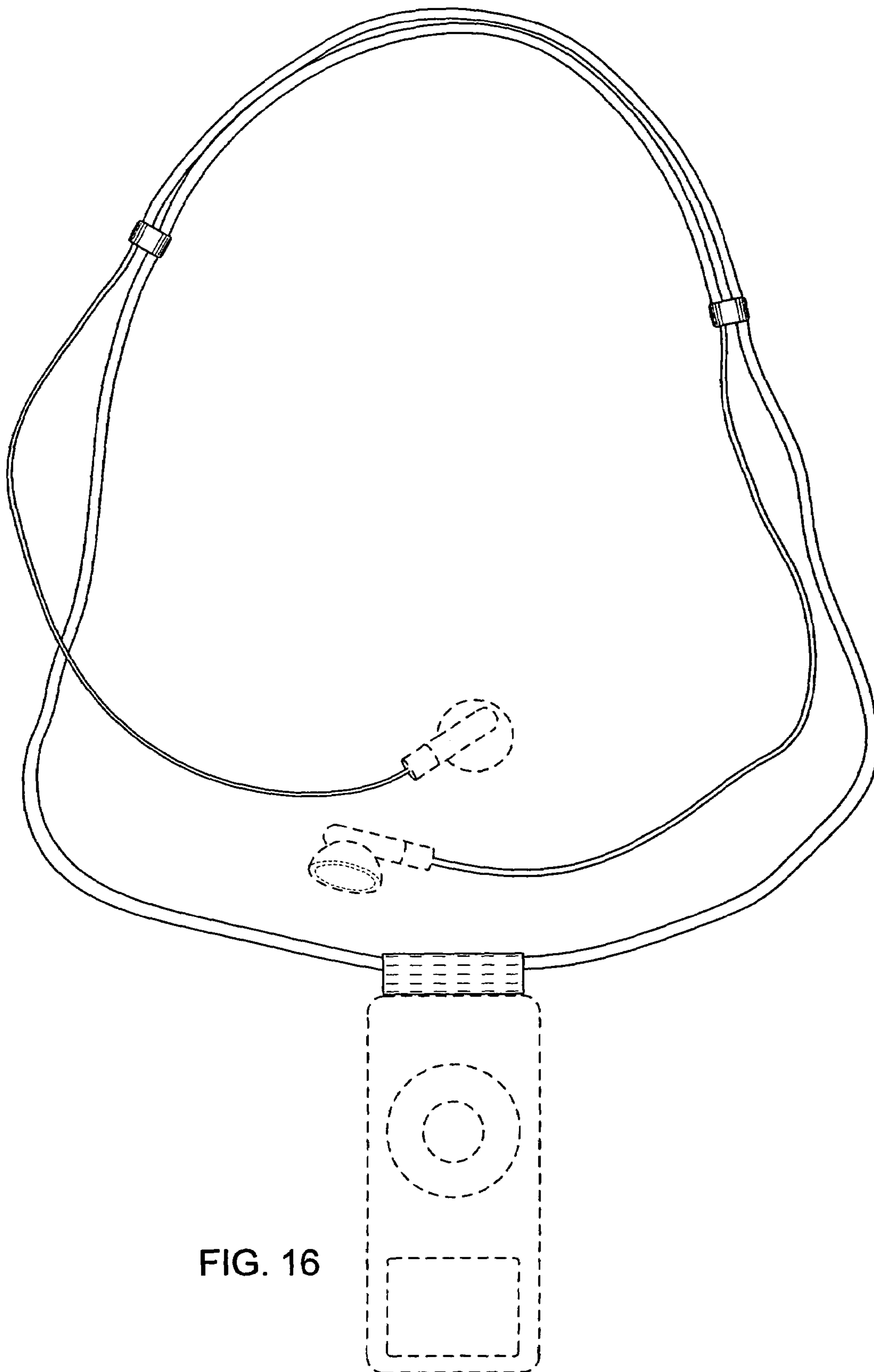


FIG. 16