

US00D566690S

(12) **United States Design Patent**  
**Ching**

(10) **Patent No.:** **US D566,690 S**

(45) **Date of Patent:** **\*\* Apr. 15, 2008**

(54) **MULTIMEDIA SPEAKER**

(75) Inventor: **Chan Ching**, Taipei Hsien (TW)

(73) Assignee: **Perfect Union Co., Ltd.**, Taipei Hsien (TW)

(\*\*) Term: **14 Years**

(21) Appl. No.: **29/267,164**

(22) Filed: **Oct. 6, 2006**

(51) **LOC (8) Cl.** ..... **14-01**

(52) **U.S. Cl.** ..... **D14/214; D14/215**

(58) **Field of Classification Search** ..... D14/204,  
D14/209-217, 168; 181/143-144, 147-148,  
181/150, 157, 198-199, 151, 153; 381/300-302,  
381/306, 333, 345, 361-364, 386-388, 332,  
381/336; 348/14.01

See application file for complete search history.

(56) **References Cited**

**U.S. PATENT DOCUMENTS**

- D199,676 S \* 12/1964 Reed ..... D14/215
- D390,951 S \* 2/1998 Yeh ..... D14/215
- D394,861 S \* 6/1998 Tatsumi ..... D14/214

- D449,036 S \* 10/2001 Weikel et al. .... D14/215
- D471,179 S \* 3/2003 Suzuki et al. .... D14/215
- D500,305 S \* 12/2004 Lin et al. .... D14/215
- D510,339 S \* 10/2005 Taylor ..... D14/215

\* cited by examiner

*Primary Examiner*—Nanda Bondade

(74) *Attorney, Agent, or Firm*—Troxell Law Office, PLLC

(57) **CLAIM**

The ornamental design for multimedia speaker, as shown and described.

**DESCRIPTION**

FIG. 1 is a top front and left side perspective view of multimedia speaker showing my new design;

FIG. 2 is a front elevational view thereof;

FIG. 3 is a rear elevational view thereof;

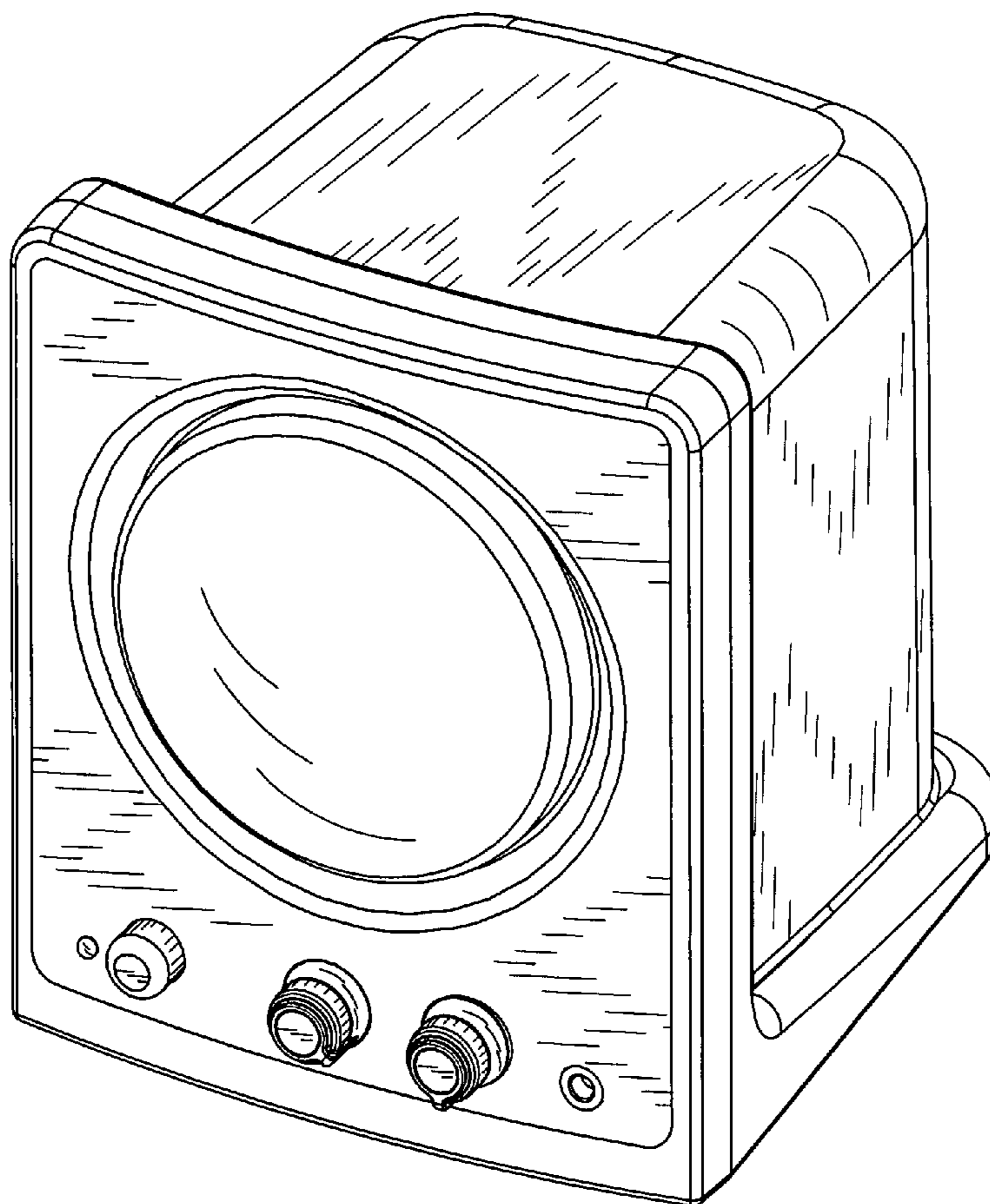
FIG. 4 is a left side elevational view thereof;

FIG. 5 is a right side elevational view thereof;

FIG. 6 is a top plan view thereof; and,

FIG. 7 is a bottom plan view thereof.

**1 Claim, 7 Drawing Sheets**



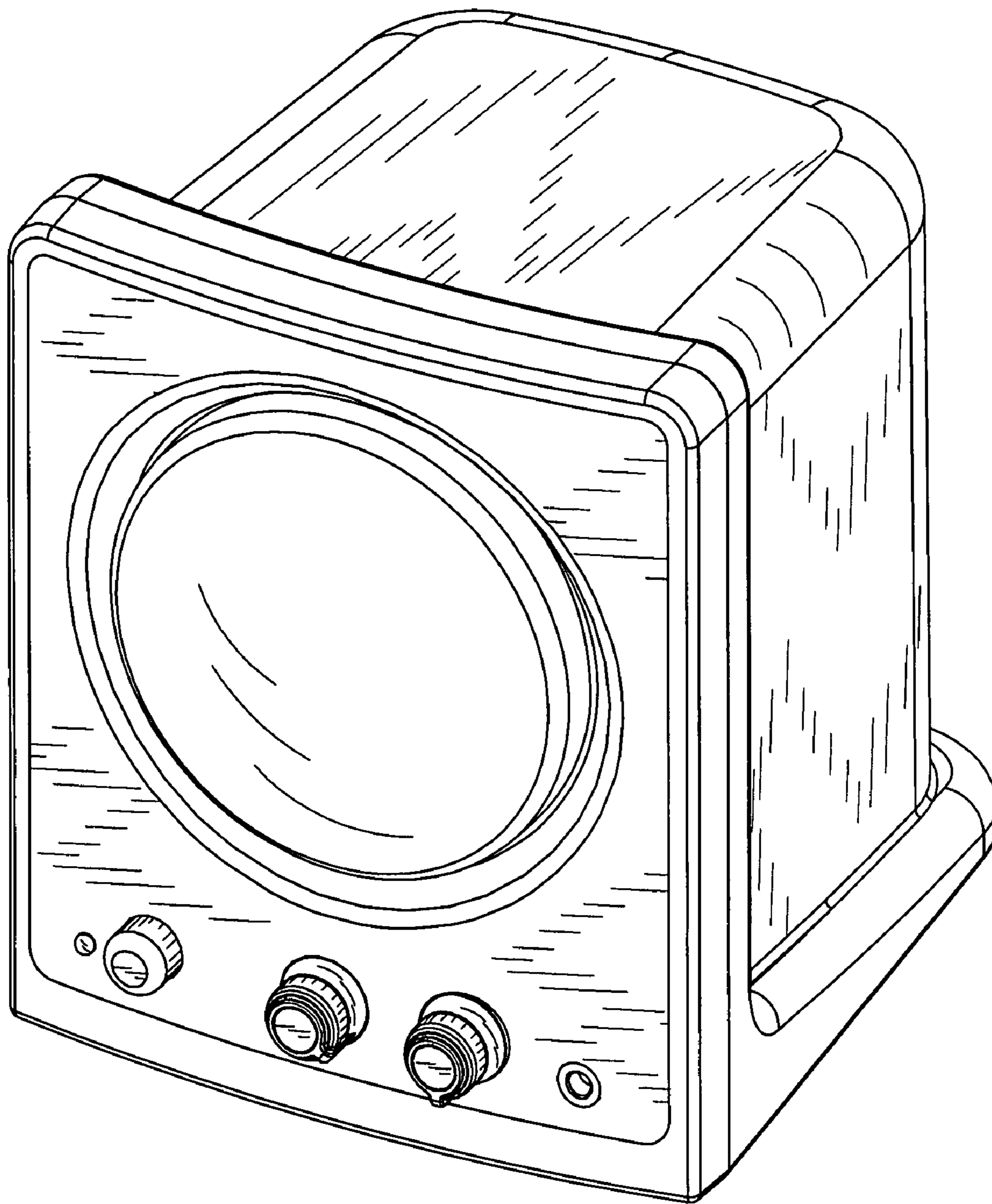


Fig. 1

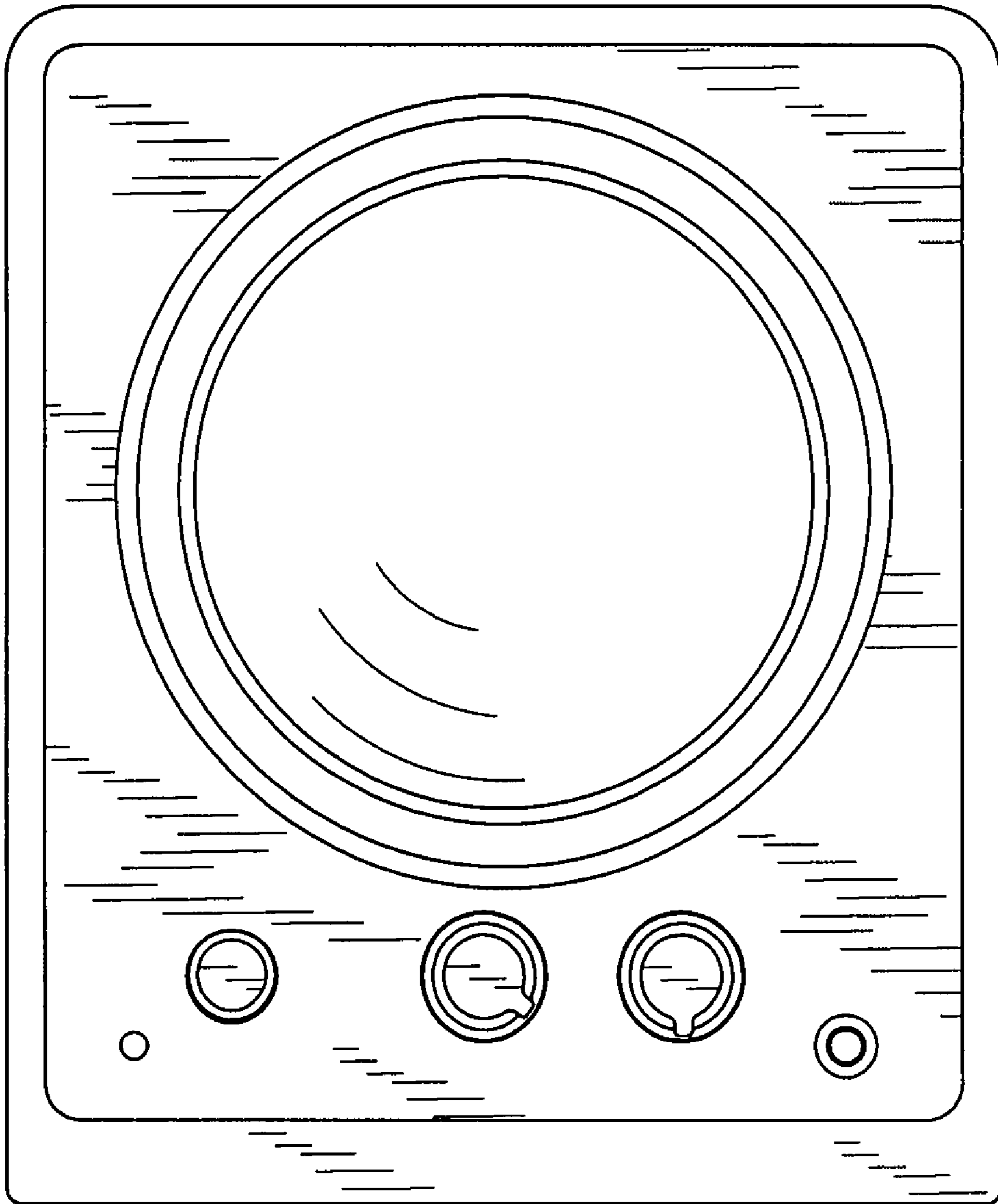


Fig.2

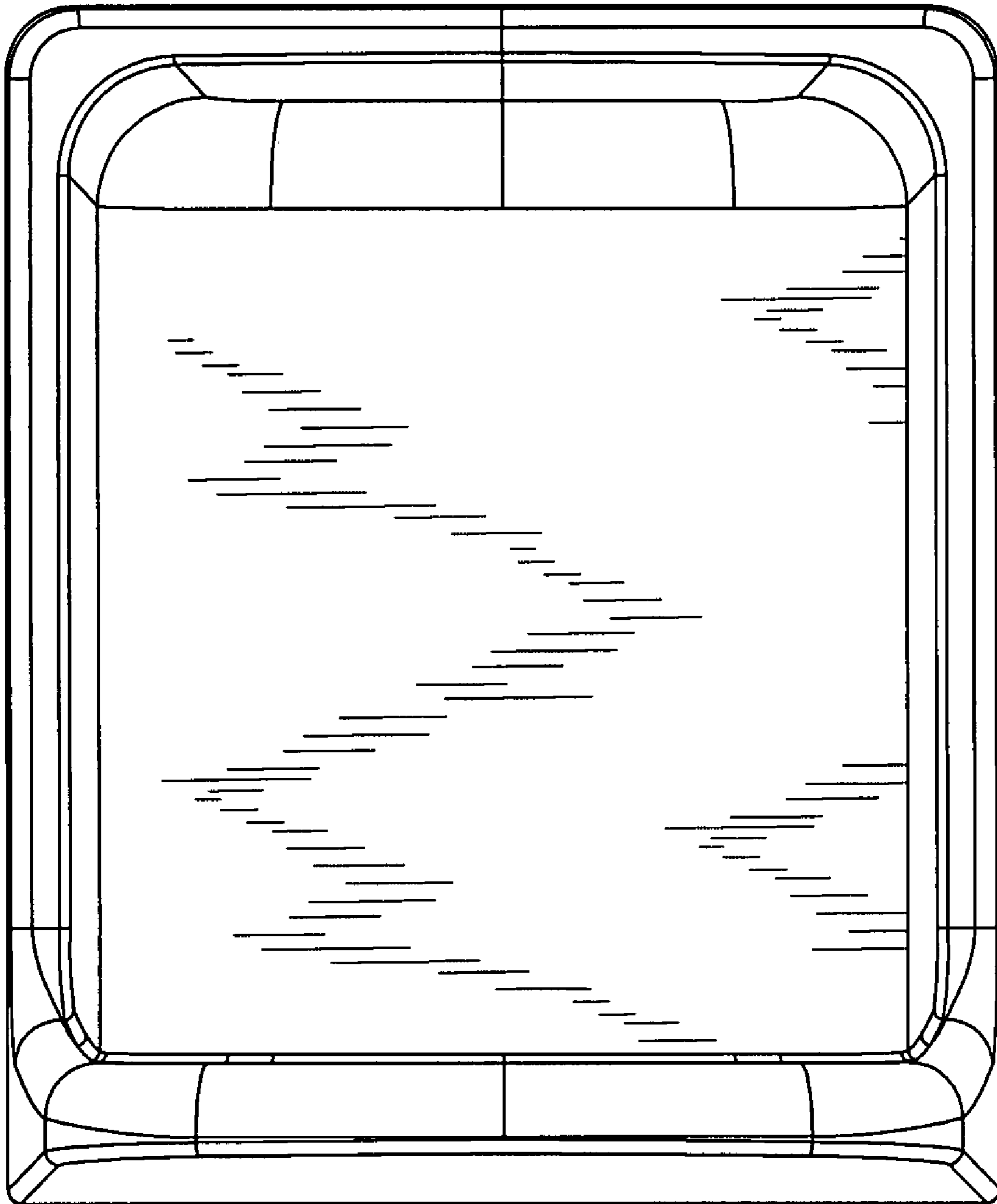


Fig.3

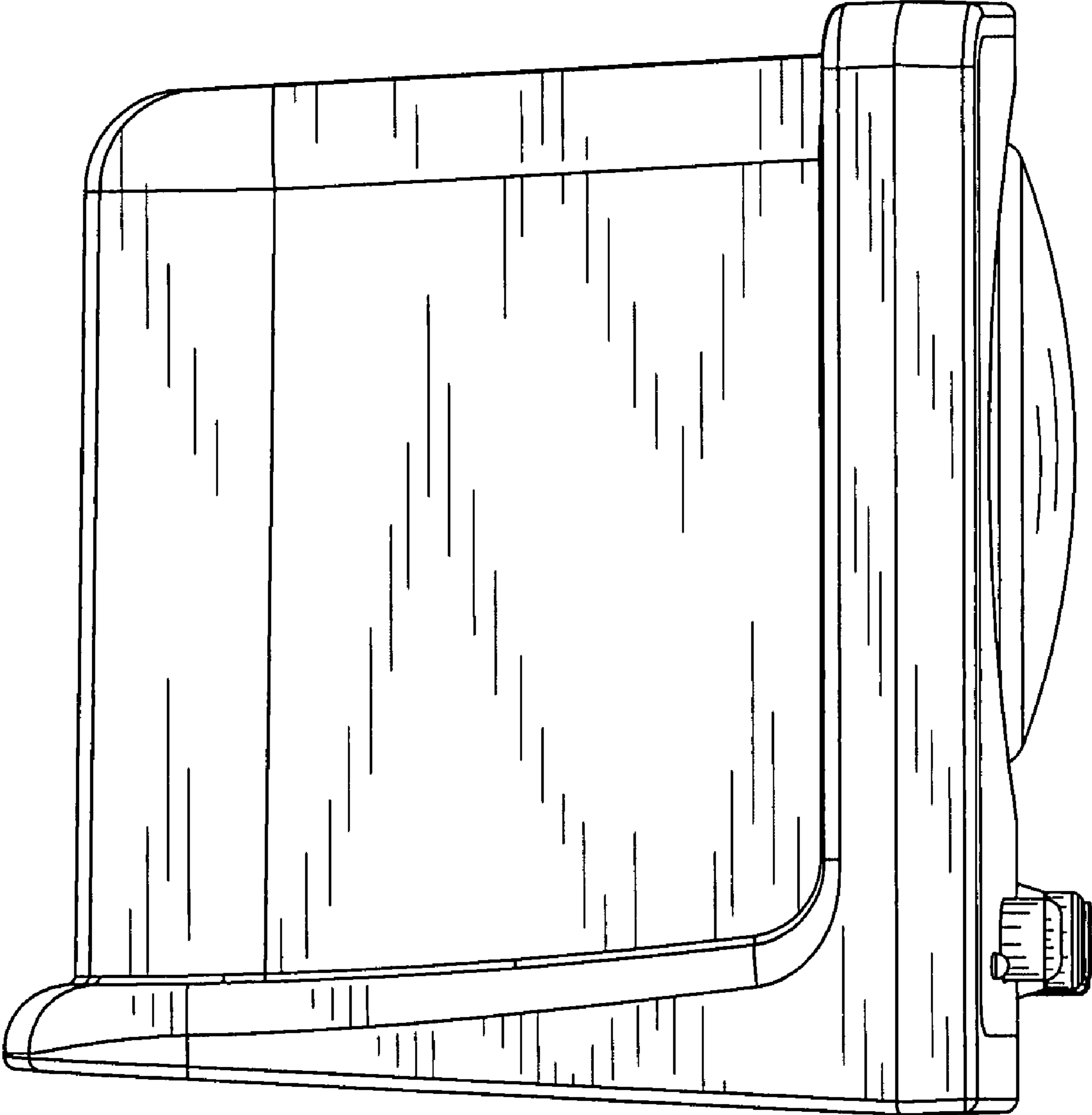


Fig.4

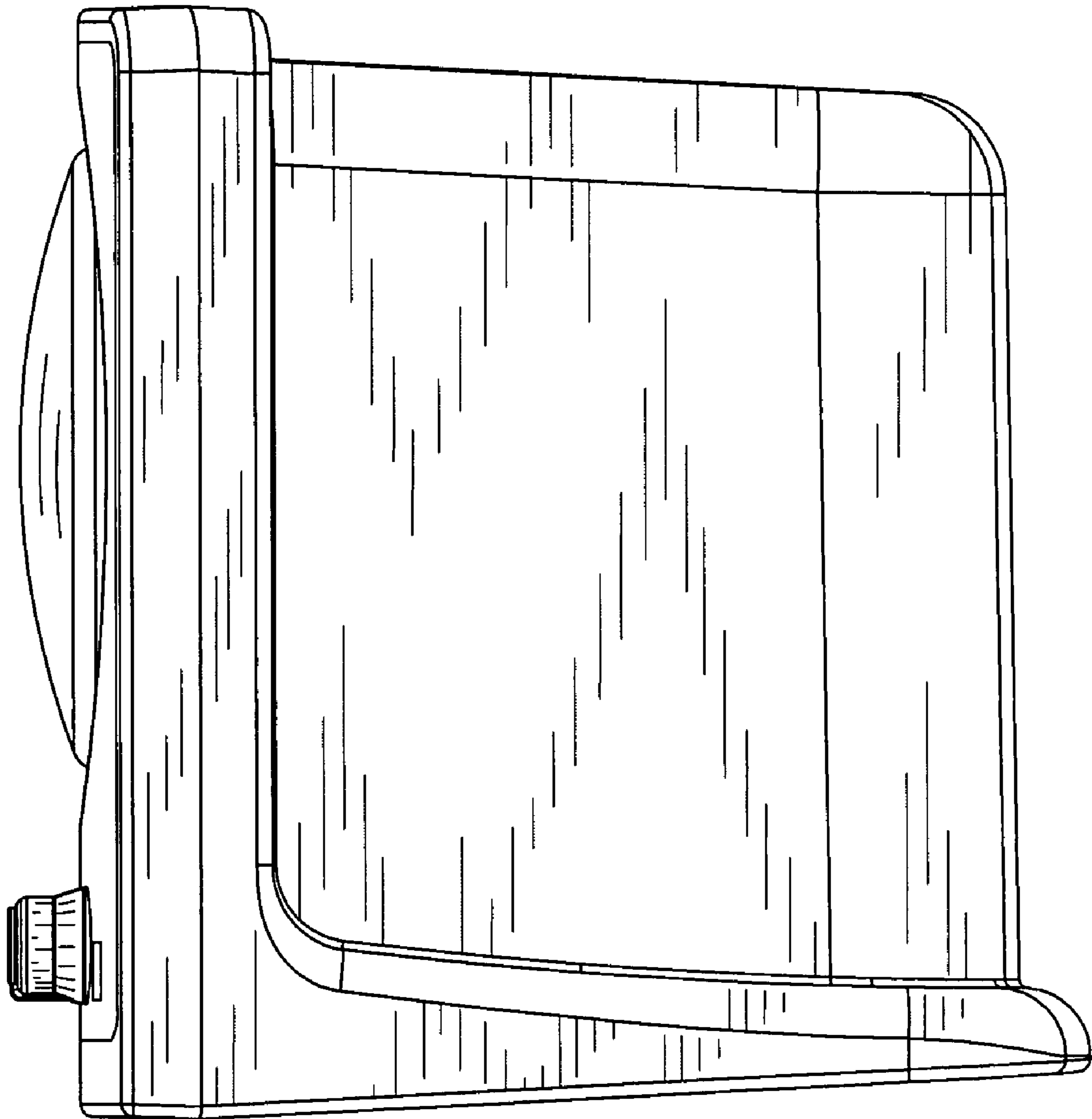


Fig.5



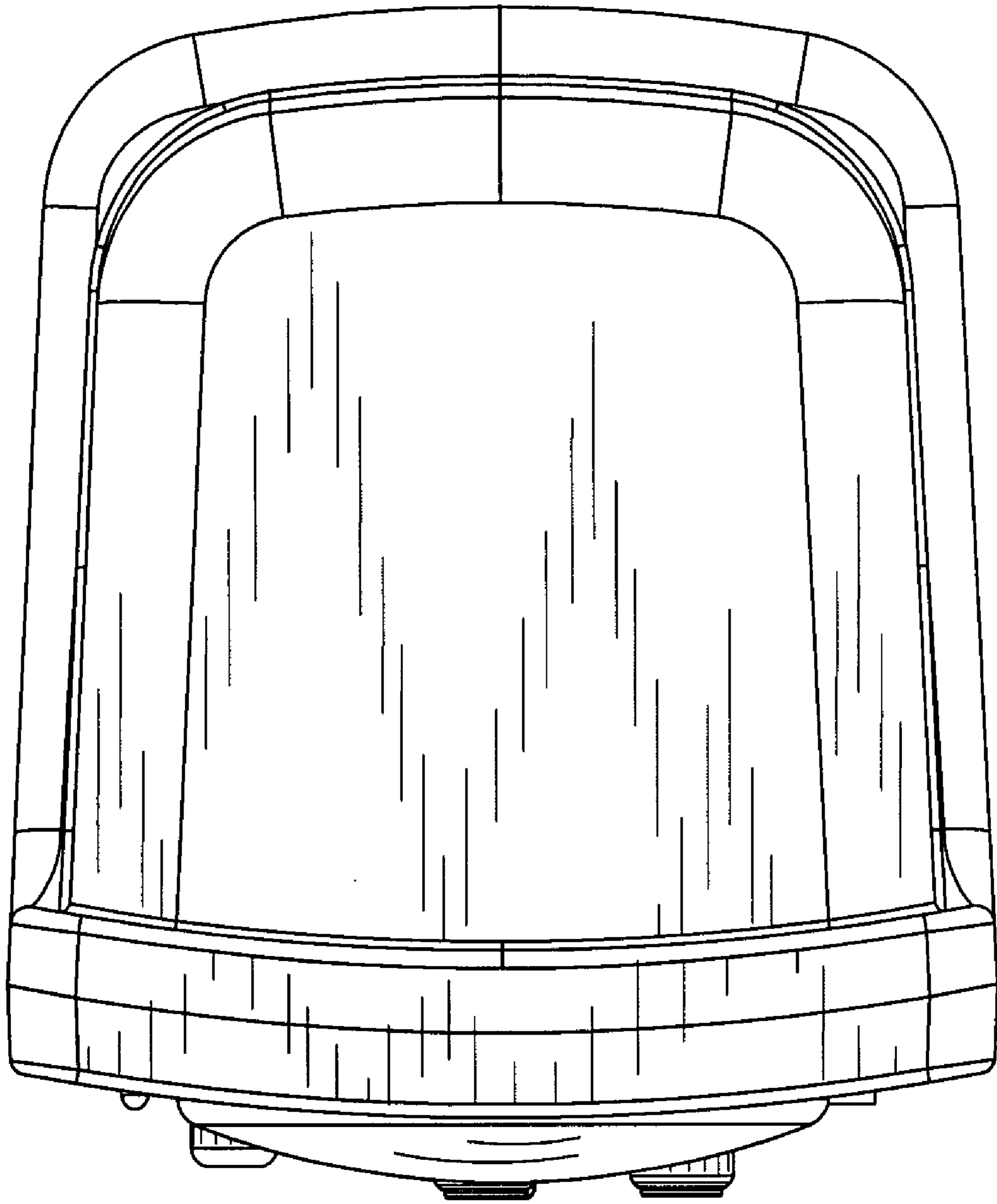


Fig.6

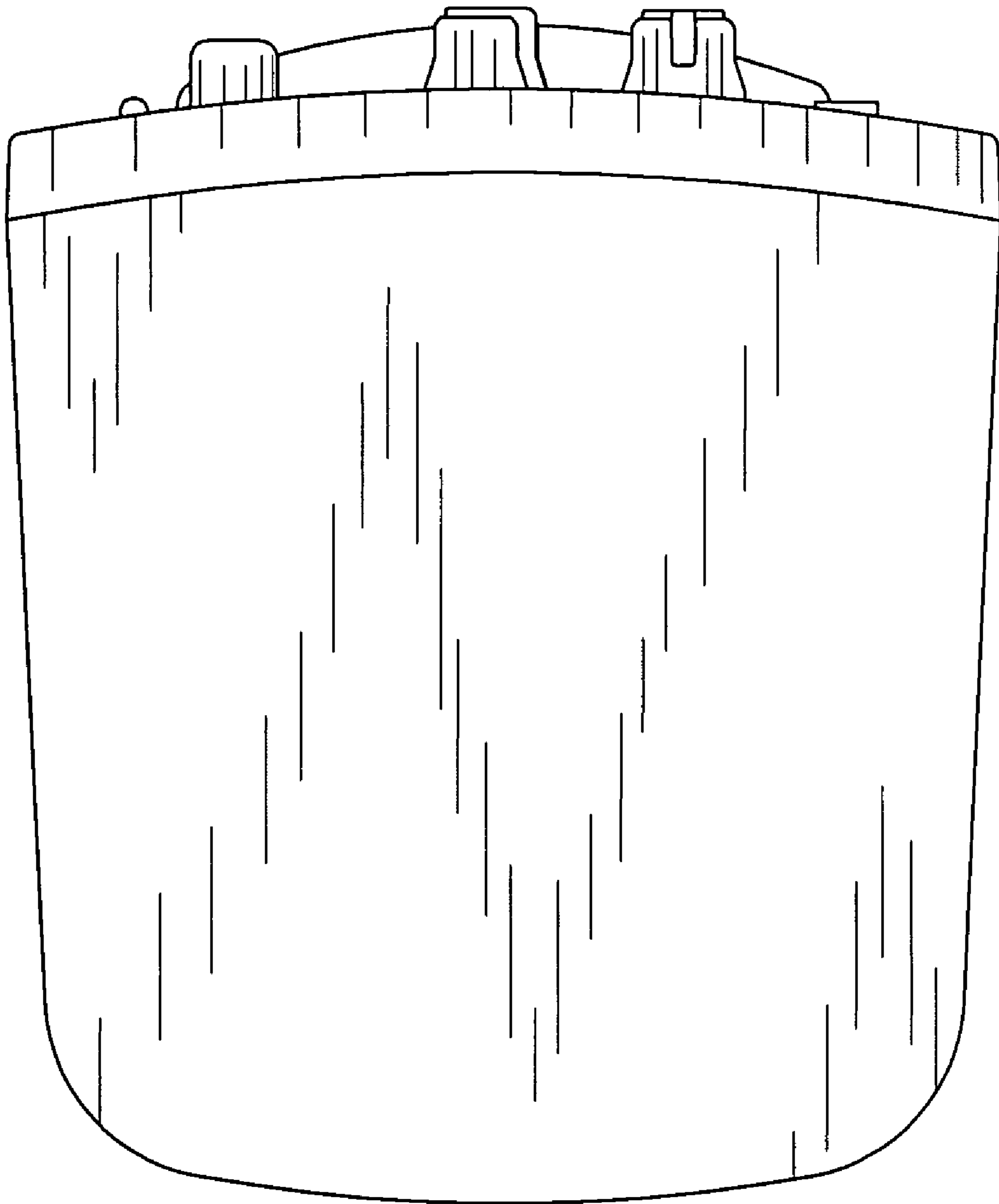


Fig.7