



US00D566685S

(12) **United States Design Patent**
Koller et al.

(10) **Patent No.:** **US D566,685 S**

(45) **Date of Patent:** **** Apr. 15, 2008**

(54) **COMBINED WIRELESS RECEIVER,
AMPLIFIER AND SPEAKER**

(75) Inventors: **Thomas J. Koller**, Beaverton, OR
(US); **Jerry C. Ramey**, Beaverton, OR
(US)

(73) Assignee: **Lightspeed Technologies, Inc.**,
Tualatin, OR (US)

(**) Term: **14 Years**

(21) Appl. No.: **29/267,133**

(22) Filed: **Oct. 4, 2006**

(51) **LOC (8) Cl.** **14-03**

(52) **U.S. Cl.** **D14/188; D14/168; D14/204**

(58) **Field of Classification Search** D14/168,
D14/169, 172, 179, 194-198, 204, 210, 212,
D14/214, 257, 265, 299; 330/1 R, 3, 4, 250;
381/86, 120; 455/344-351

See application file for complete search history.

(56) **References Cited**

U.S. PATENT DOCUMENTS

D332,261 S *	1/1993	Mischenko et al.	D14/137
D349,119 S *	7/1994	Eberle et al.	D14/265
D409,619 S *	5/1999	Shin et al.	D14/217
D416,904 S *	11/1999	Rabbani	D14/188

* cited by examiner

Primary Examiner—Prabhakar Deshmukh

Assistant Examiner—Keli' L. Acker

(74) *Attorney, Agent, or Firm*—Klarquist Sparkman, LLP

(57) **CLAIM**

The ornamental design for a combined wireless receiver,
amplifier and speaker, as shown and described.

DESCRIPTION

FIG. 1 is a perspective view of a combined wireless receiver,
amplifier and speaker, embodying my new design;

FIG. 2 is a front view thereof;

FIG. 3 is a back view thereof;

FIG. 4 is a top view thereof;

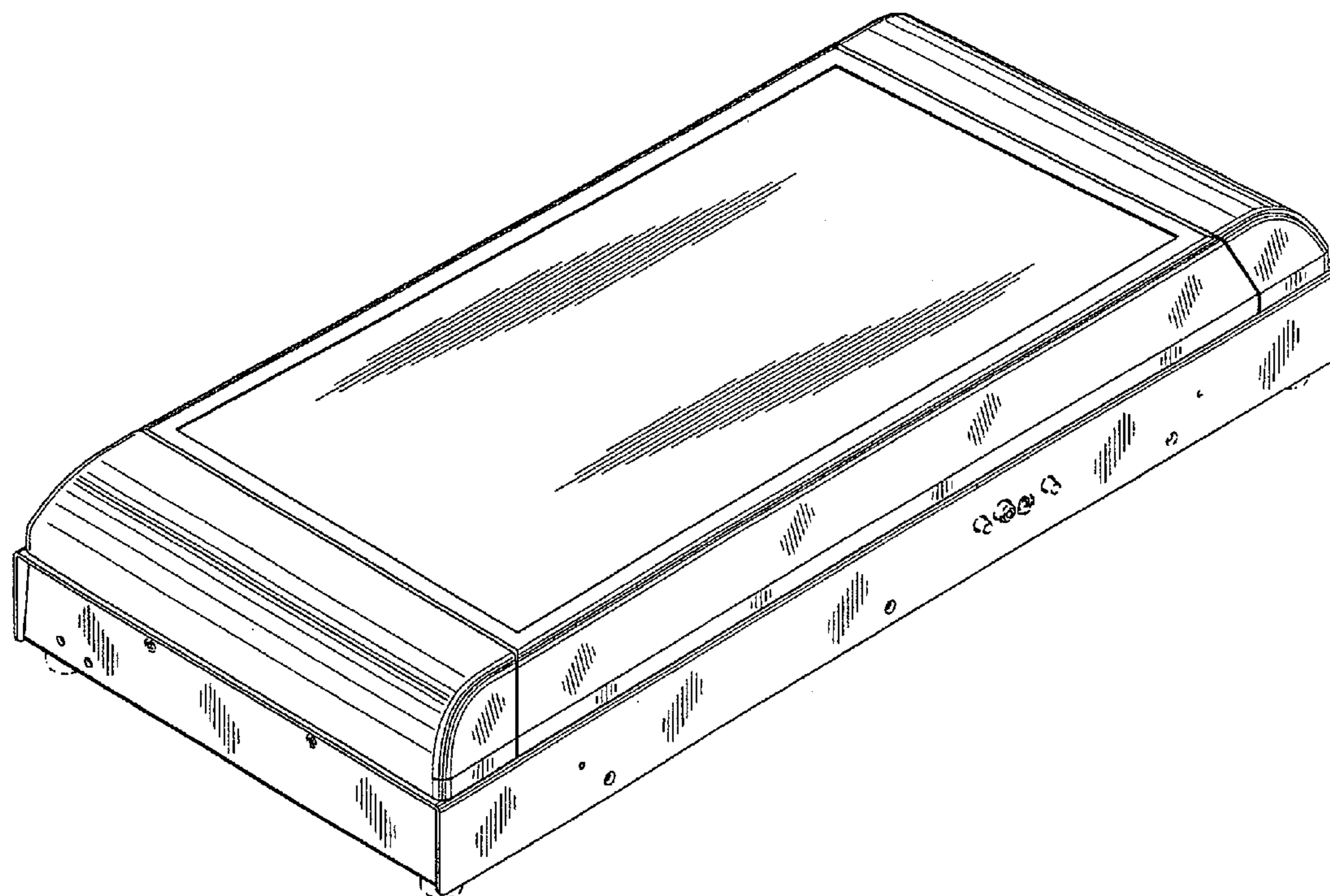
FIG. 5 is a bottom view thereof;

FIG. 6 is a left side view thereof; and,

FIG. 7 is a right side view thereof.

The broken line showing of the control buttons, input/output
ports, fastener openings, projecting spacers, battery cover
and other features are included for the purpose of illustrating
environmental structures and forms no part of the claimed
design.

1 Claim, 3 Drawing Sheets



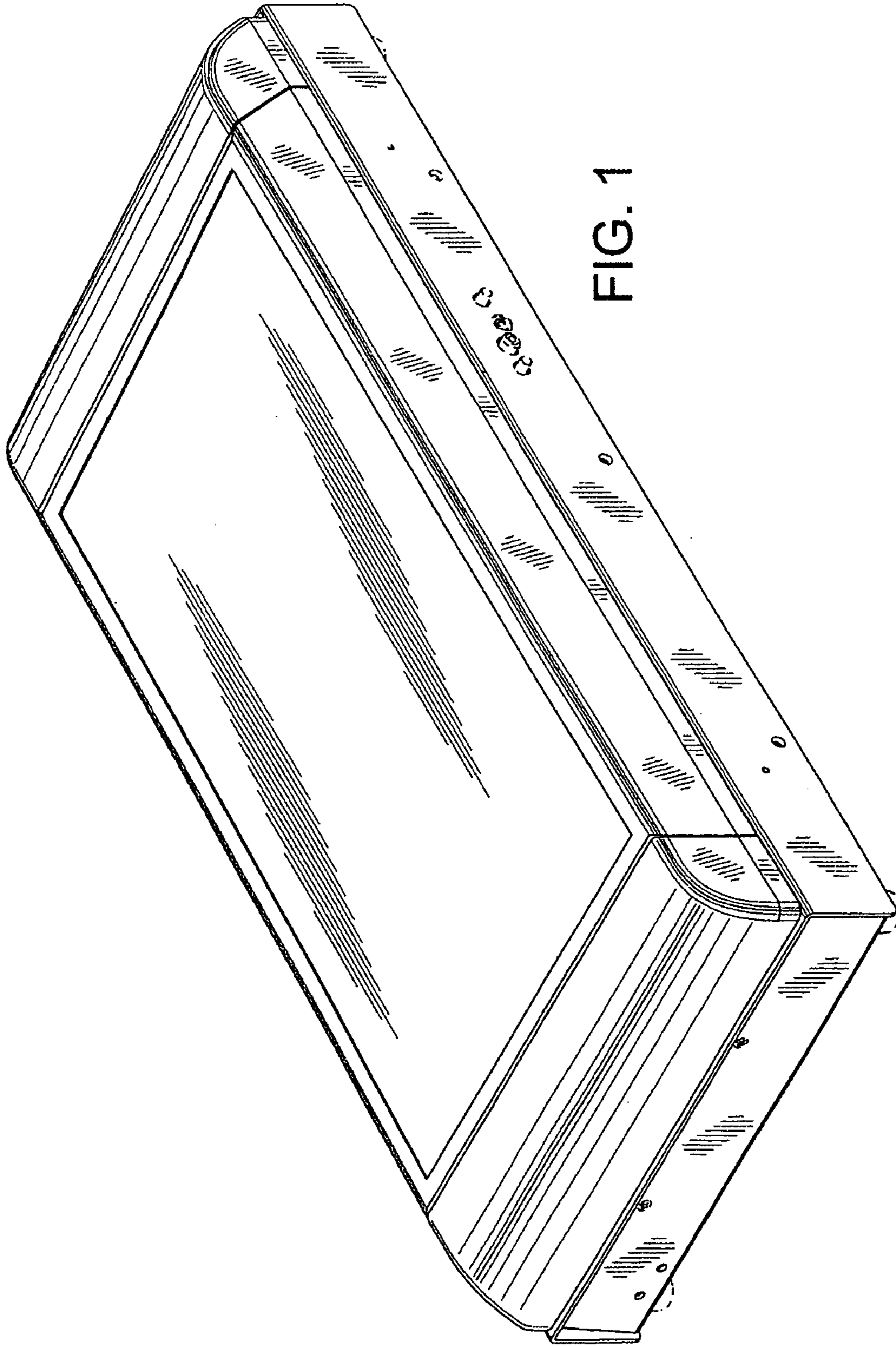


FIG. 1

FIG. 2

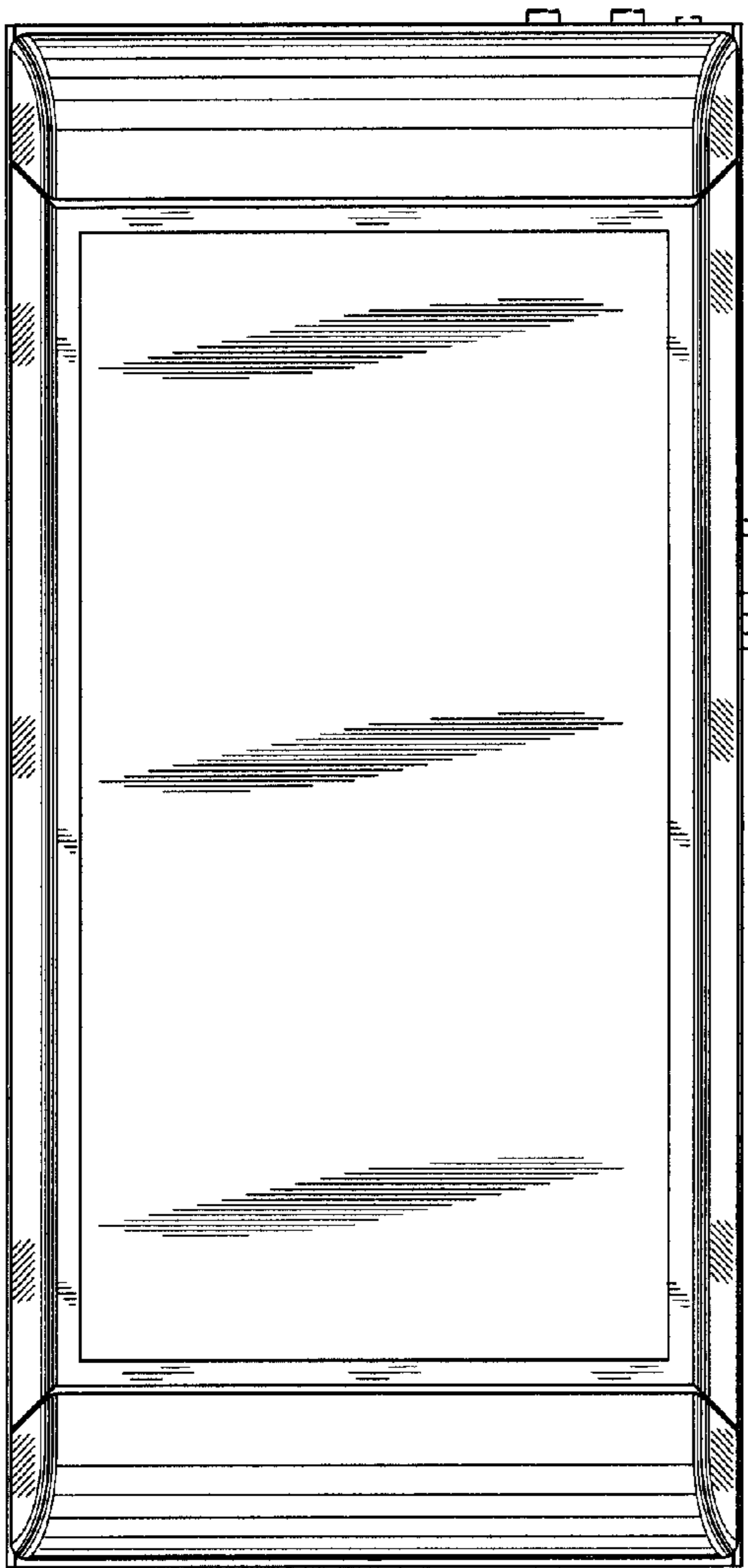
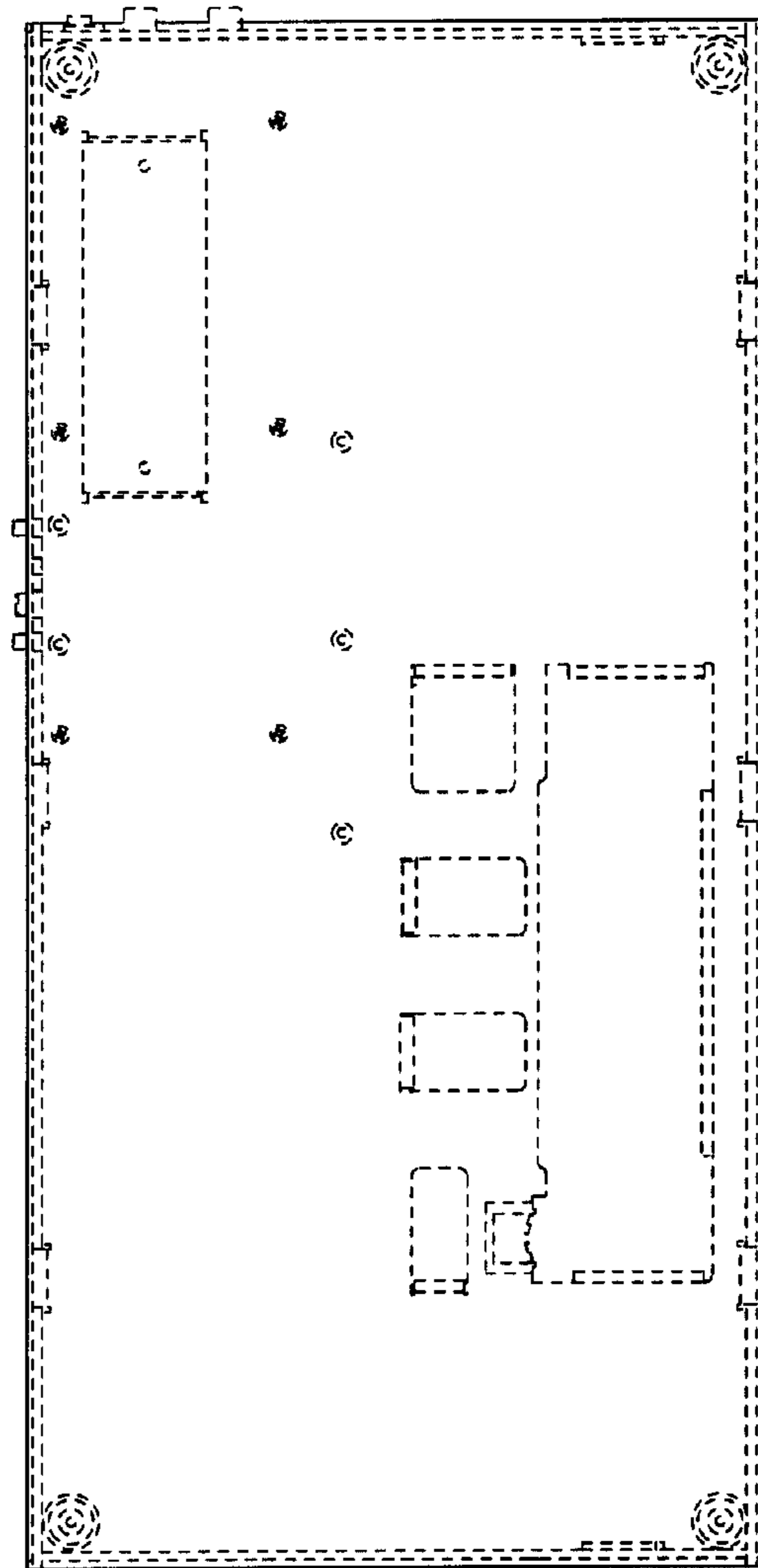


FIG. 3



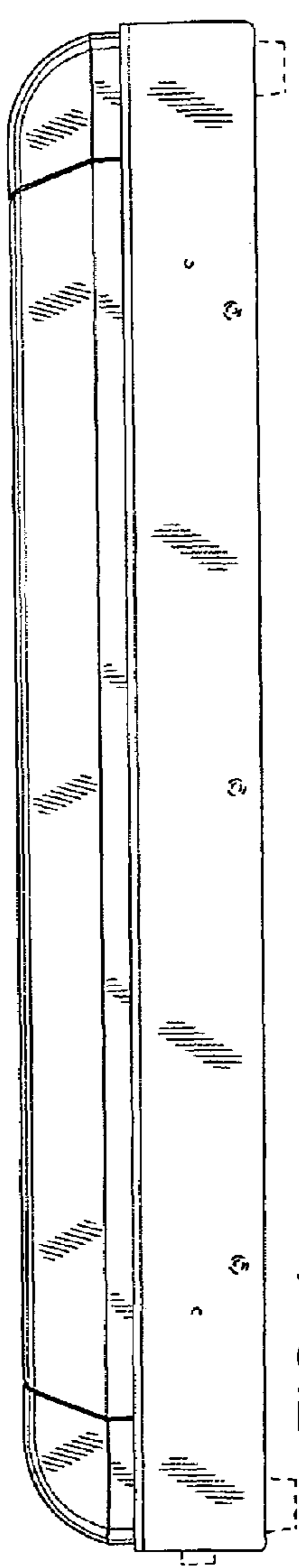


FIG. 4

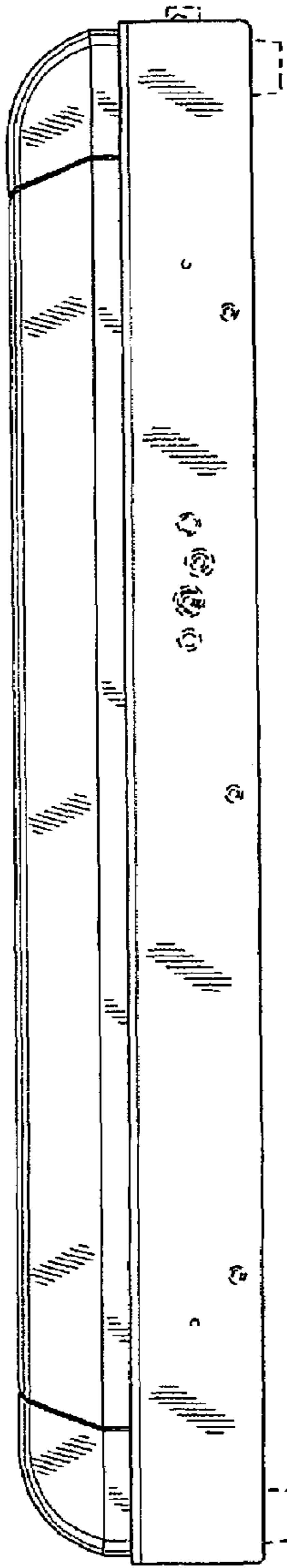


FIG. 5

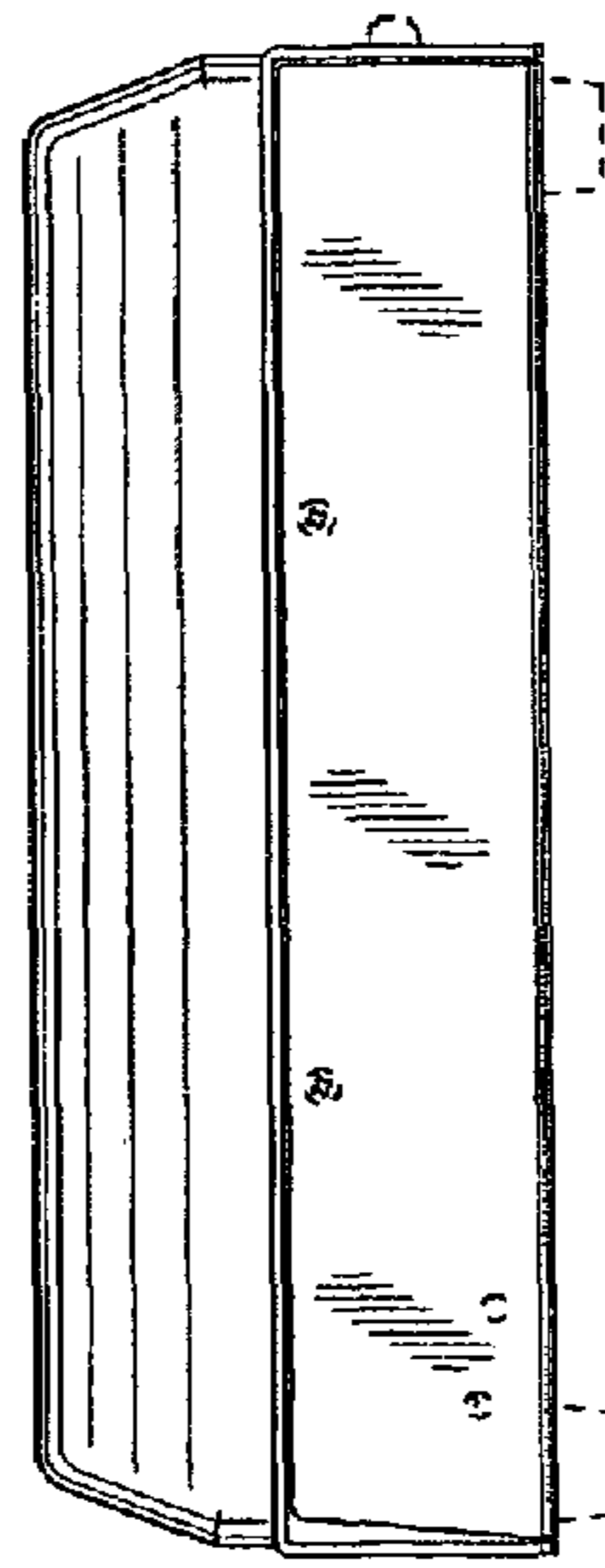


FIG. 6

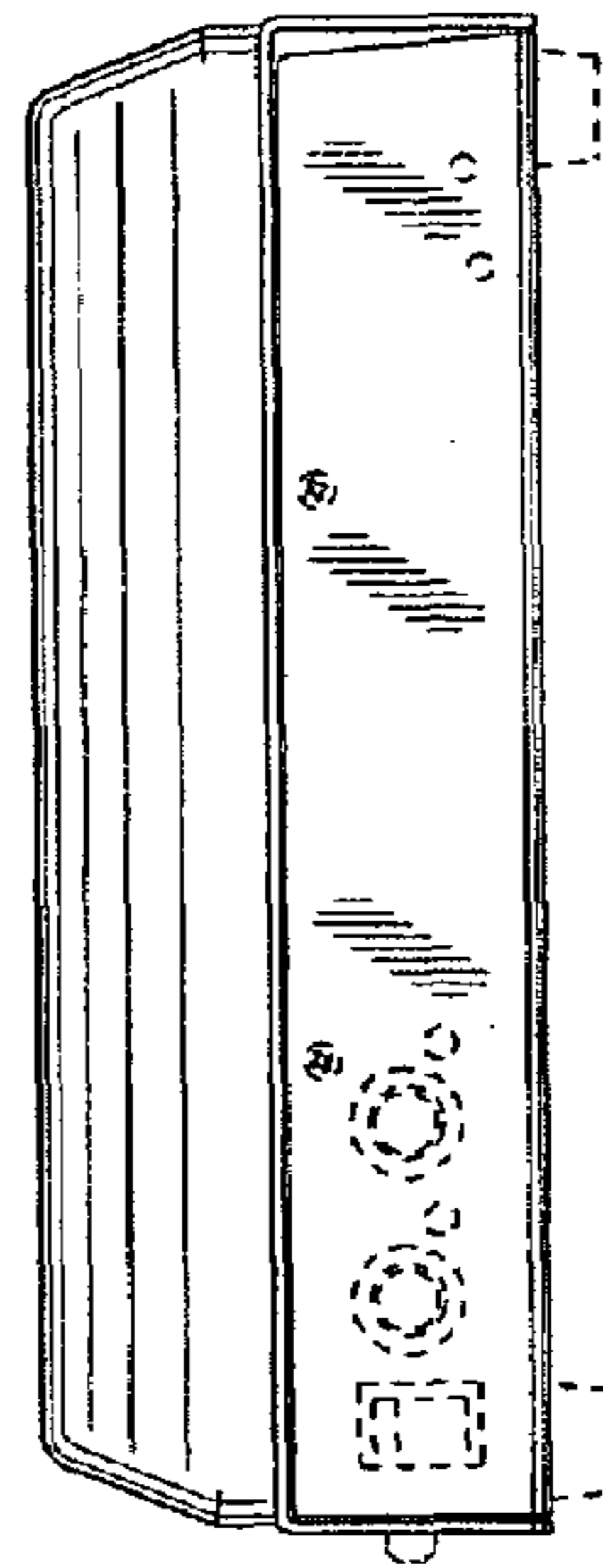


FIG. 7