



US00D566684S

(12) **United States Design Patent**
Kimura et al.

(10) **Patent No.:** **US D566,684 S**

(45) **Date of Patent:** **** Apr. 15, 2008**

(54) **DIGITAL AUDIO DISC PLAYER FOR
AUTOMOBILE**

(75) Inventors: **Kenji Kimura**, Kanagawa (JP);
Hiroshi Yamamoto, Kanagawa (JP)

(73) Assignee: **Victor Company of Japan, Limited**,
Yokohama-shi, Kanagawa (JP)

(**) Term: **14 Years**

(21) Appl. No.: **29/286,555**

(22) Filed: **May 10, 2007**

(30) **Foreign Application Priority Data**

Nov. 10, 2006 (JP) 2006-030878

(51) **LOC (8) Cl.** **14-01**

(52) **U.S. Cl.** **D14/156**

(58) **Field of Classification Search** D14/496,
D14/401, 435, 474, 483, 217, 137, 138, 160,
D14/168; 345/156, 169, 173-179, 905; 715/727-729,
715/864; 455/11.1, 7, 73, 344-347, 93, 95;
370/342-344; 369/1, 2, 6, 12; 463/43-47;
273/148 B

See application file for complete search history.

(56) **References Cited**

U.S. PATENT DOCUMENTS

5,848,042 A * 12/1998 Takahashi et al. 720/647
5,852,594 A * 12/1998 Kaise et al. 720/647

D404,031 S * 1/1999 Uchiyama D14/156
D423,008 S * 4/2000 Shintani D14/168
D427,990 S * 7/2000 Ito et al. D14/156
D436,942 S * 1/2001 Ito et al. D14/168
D537,433 S * 2/2007 Shimizu D14/156
D538,777 S * 3/2007 Takita et al. D14/156
D553,641 S * 10/2007 Williamson et al. D14/496
D556,184 S * 11/2007 Uehara et al. D14/156

* cited by examiner

Primary Examiner—Prabhakar Deshmukh

(74) *Attorney, Agent, or Firm*—Osha Liang LLP

(57) **CLAIM**

The ornamental design for a digital audio disc player for automobile, as shown and described.

DESCRIPTION

FIG. 1 is a perspective view of a digital audio disc player for automobile showing our new design;

FIG. 2 is a top plan view thereof;

FIG. 3 is a front elevational view thereof;

FIG. 4 is a left side elevational view thereof;

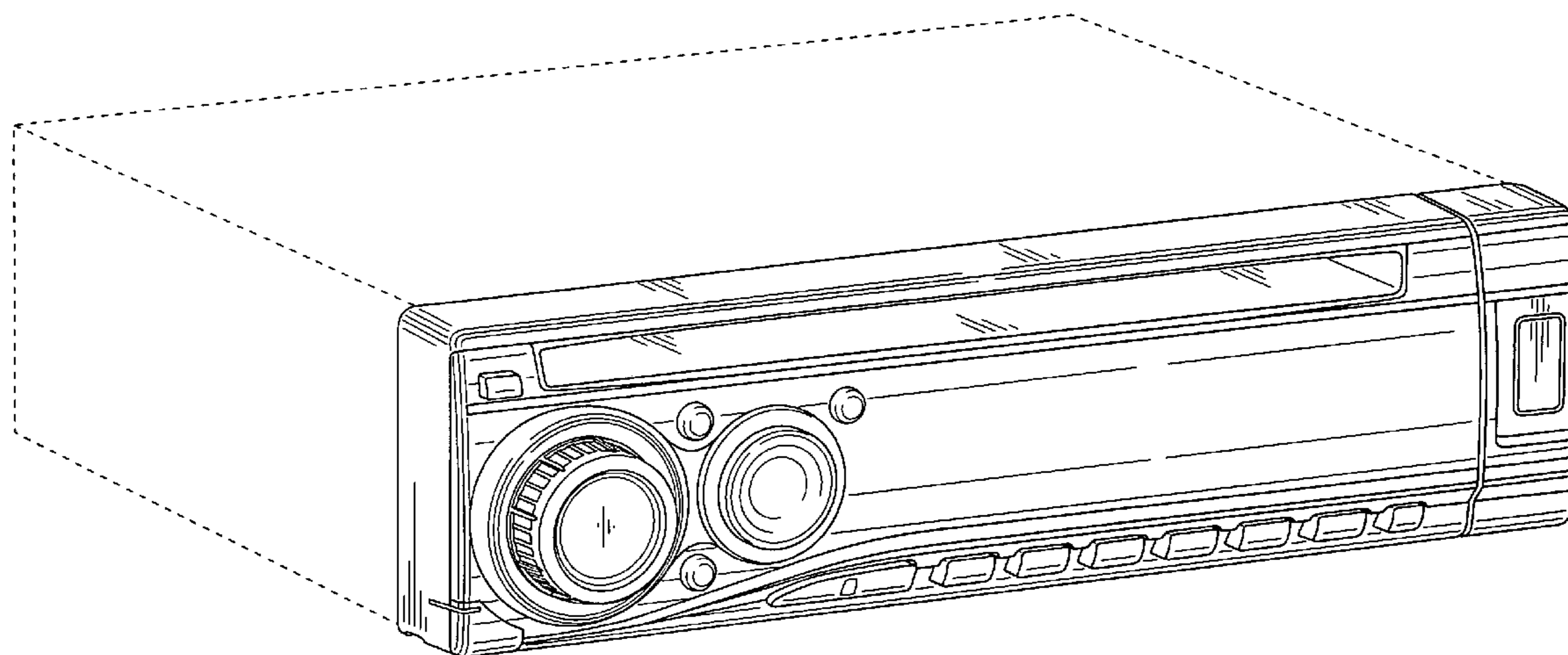
FIG. 5 is a right side elevational view thereof;

FIG. 6 is a bottom plan view thereof; and,

FIG. 7 is a rear elevational view thereof.

The broken lines environmental are for illustrative purpose only and form no part of the claimed design.

1 Claim, 4 Drawing Sheets



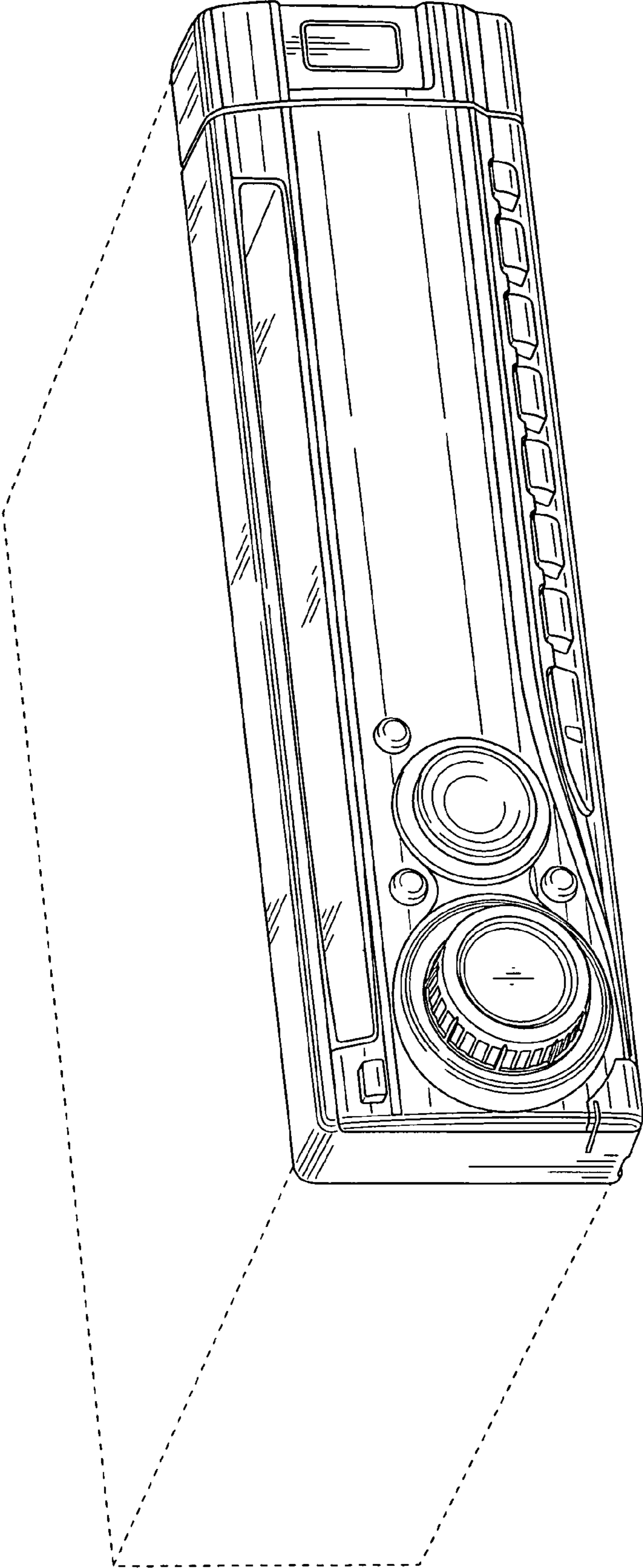


FIG. 1

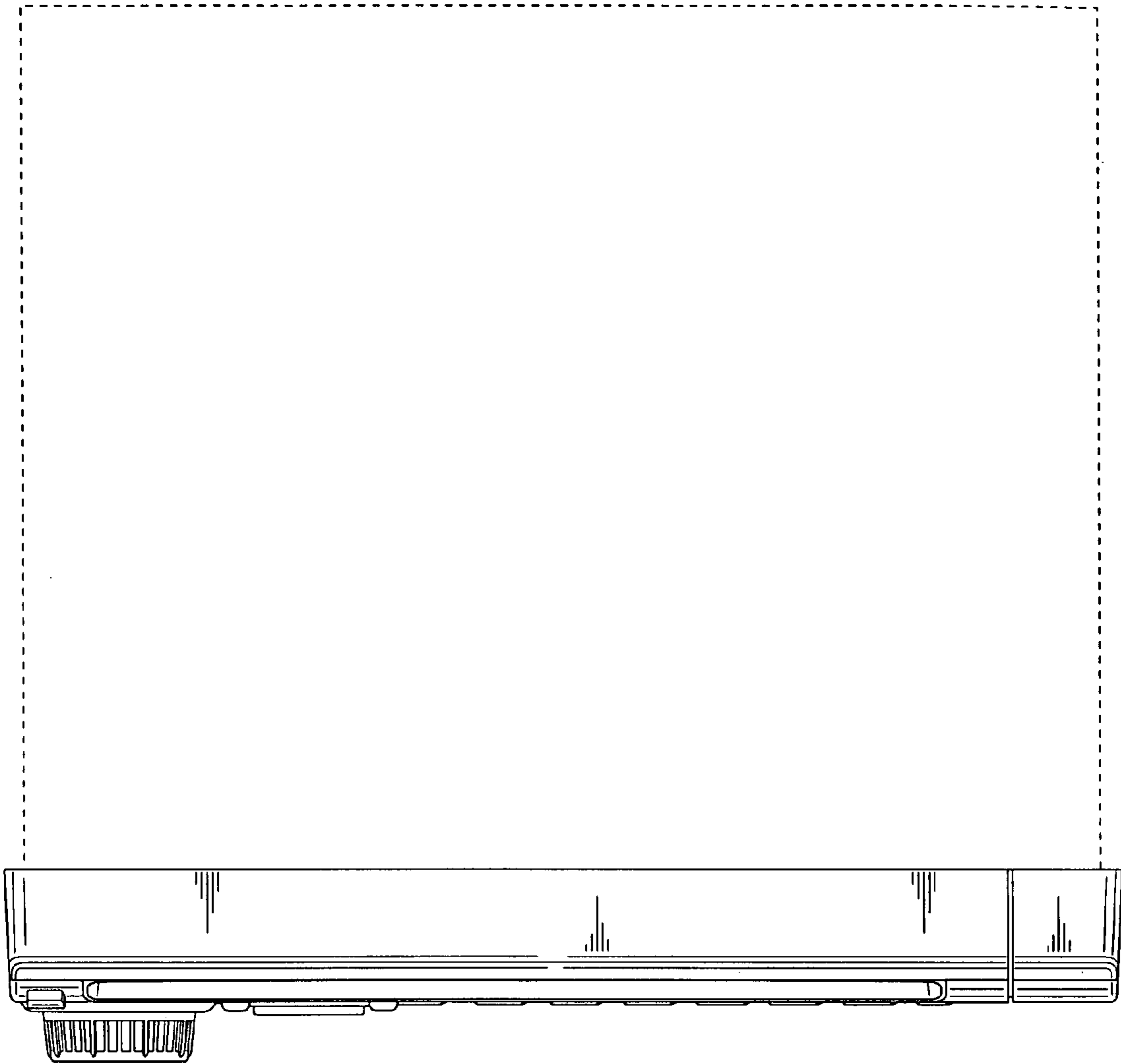


FIG. 2

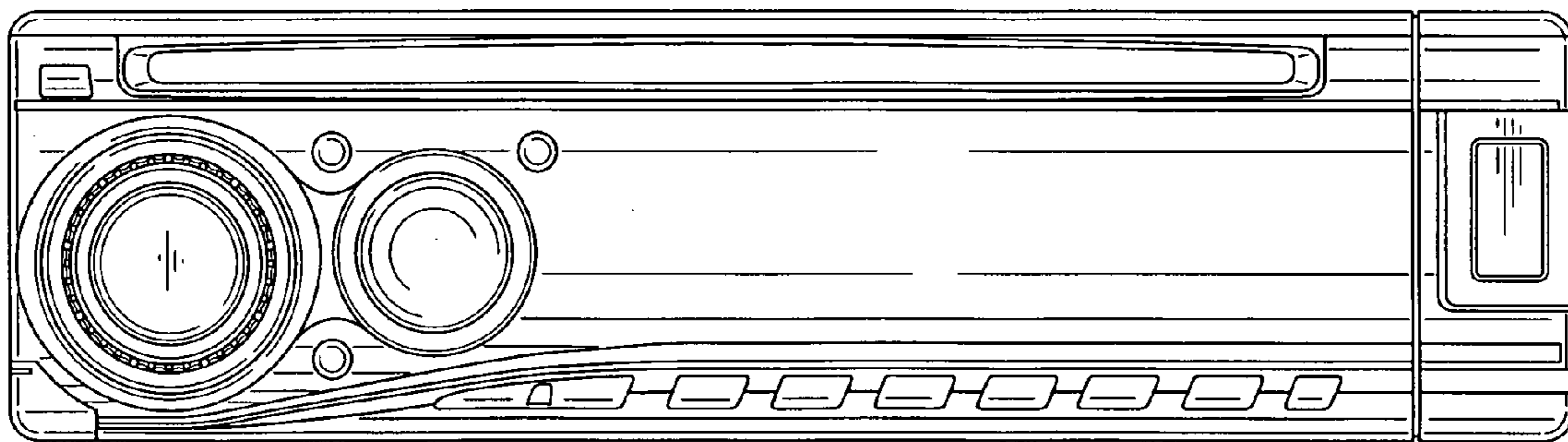


FIG. 3

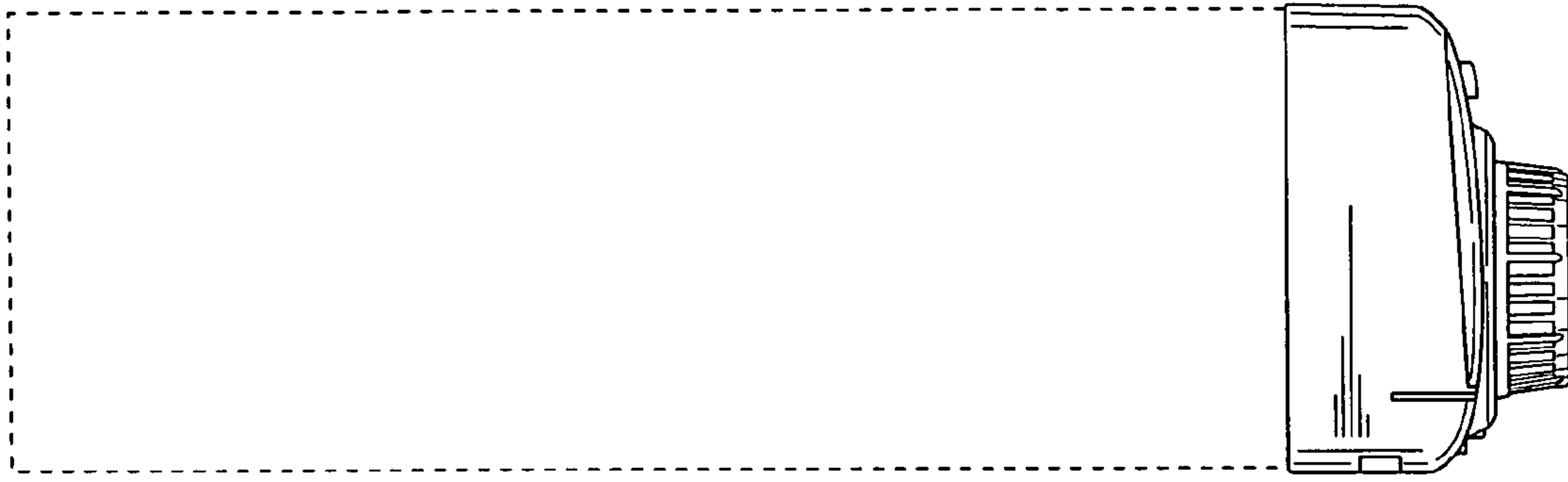


FIG. 4



FIG. 5

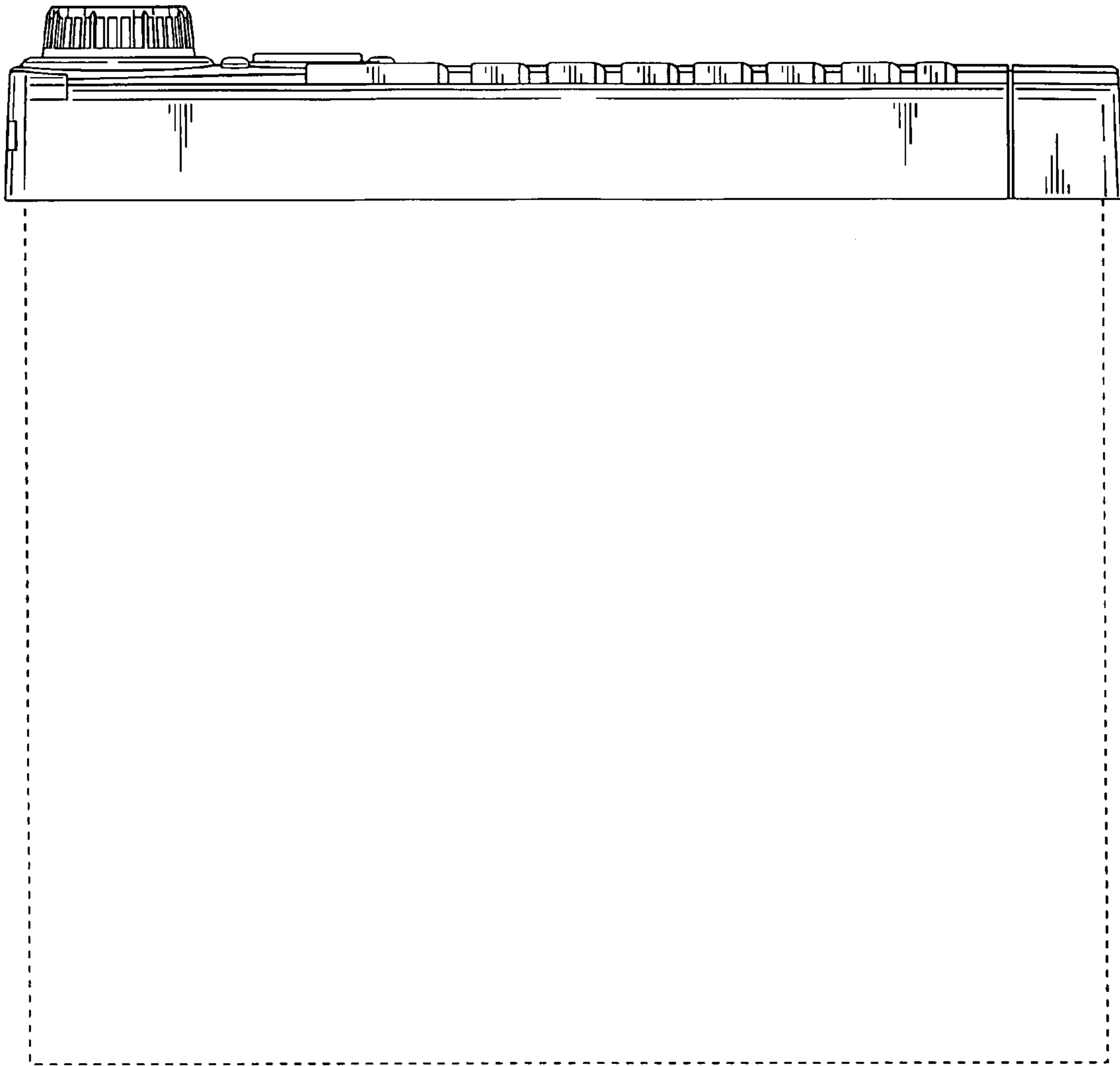


FIG. 6



FIG. 7