



US00D566681S

(12) **United States Design Patent** (10) **Patent No.:** **US D566,681 S**
Freed (45) **Date of Patent:** **** Apr. 15, 2008**

(54) **PORTION OF AN AUDIOVISUAL COMMUNICATION DEVICE** D413,999 S * 9/1999 Diaz-Azcuy D26/110
D436,612 S * 1/2001 Geng D16/232
D446,533 S * 8/2001 Gatto D16/202
(75) Inventor: **Robert Freed**, Kenmore, WA (US) 6,462,781 B1 * 10/2002 Arnold 348/373
6,466,249 B1 * 10/2002 Granot et al. 348/14.08
(73) Assignee: **Microsoft Corporation**, Redmond, WA (US) D481,370 S * 10/2003 Popowski et al. D14/150
D495,355 S * 8/2004 Mudd et al. D16/232
D495,676 S * 9/2004 Slevin et al. D14/150

(**) Term: **14 Years**

* cited by examiner

(21) Appl. No.: **29/248,079**

Primary Examiner—Terry A Wallace

(22) Filed: **Jul. 27, 2006**

(74) Attorney, Agent, or Firm—Banner & Witcoff, Ltd.

Related U.S. Application Data

(63) Continuation of application No. 29/246,328, filed on Mar. 31, 2006.

(57) **CLAIM**

The ornamental design for a portion of an audiovisual communication device, as shown and described.

(51) **LOC (8) Cl.** **14-03**
(52) **U.S. Cl.** **D14/149**
(58) **Field of Classification Search** D14/130,
D14/144, 149, 150, 155, 159, 230, 233, 238,
D14/423; 379/202.01, 204.01; 348/14.01–14.06;
370/260–268; 709/204, 205; 715/753; D26/103,
D26/104, 107, 108, 110, 112, 119; D16/202,
D16/203, 208, 214, 232
See application file for complete search history.

DESCRIPTION

FIG. 1 is a front perspective view of a portion of an audiovisual communication device showing my new design; FIG. 2 is a front view thereof; FIG. 3 is a rear view thereof; FIG. 4 is a right view thereof; FIG. 5 is a left view thereof; and, FIG. 6 is a top view thereof.

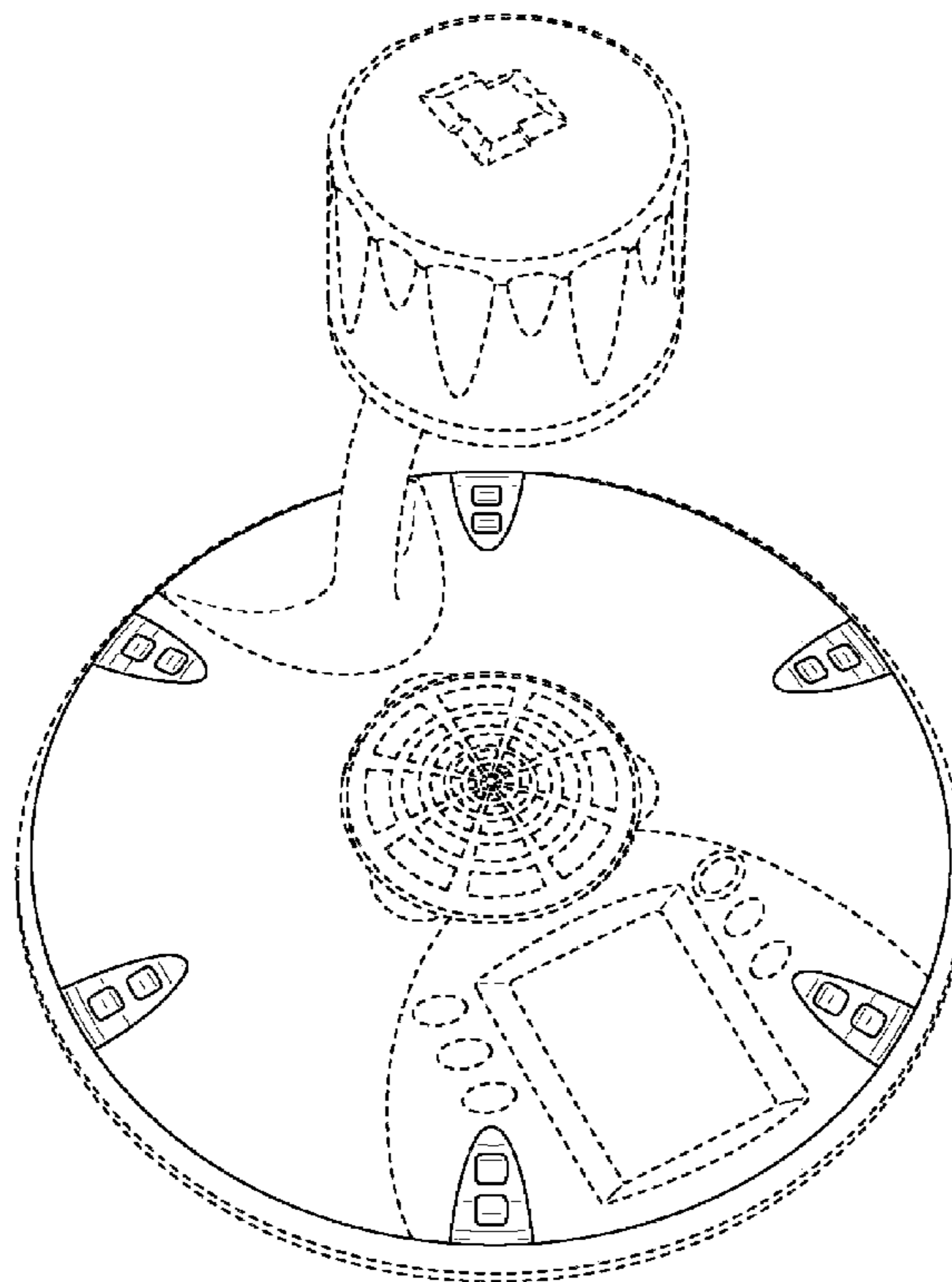
(56) **References Cited**

U.S. PATENT DOCUMENTS

D317,005 S * 5/1991 Wickrema et al. D14/358
D373,355 S * 9/1996 Huang et al. D14/130
D412,331 S * 7/1999 Nakamura D14/155

The unshown bottom forms no part of the claimed design. The broken line showing of various regions and the unshaded areas within are for illustrative purposes only and form no part of the claimed design.

1 Claim, 6 Drawing Sheets



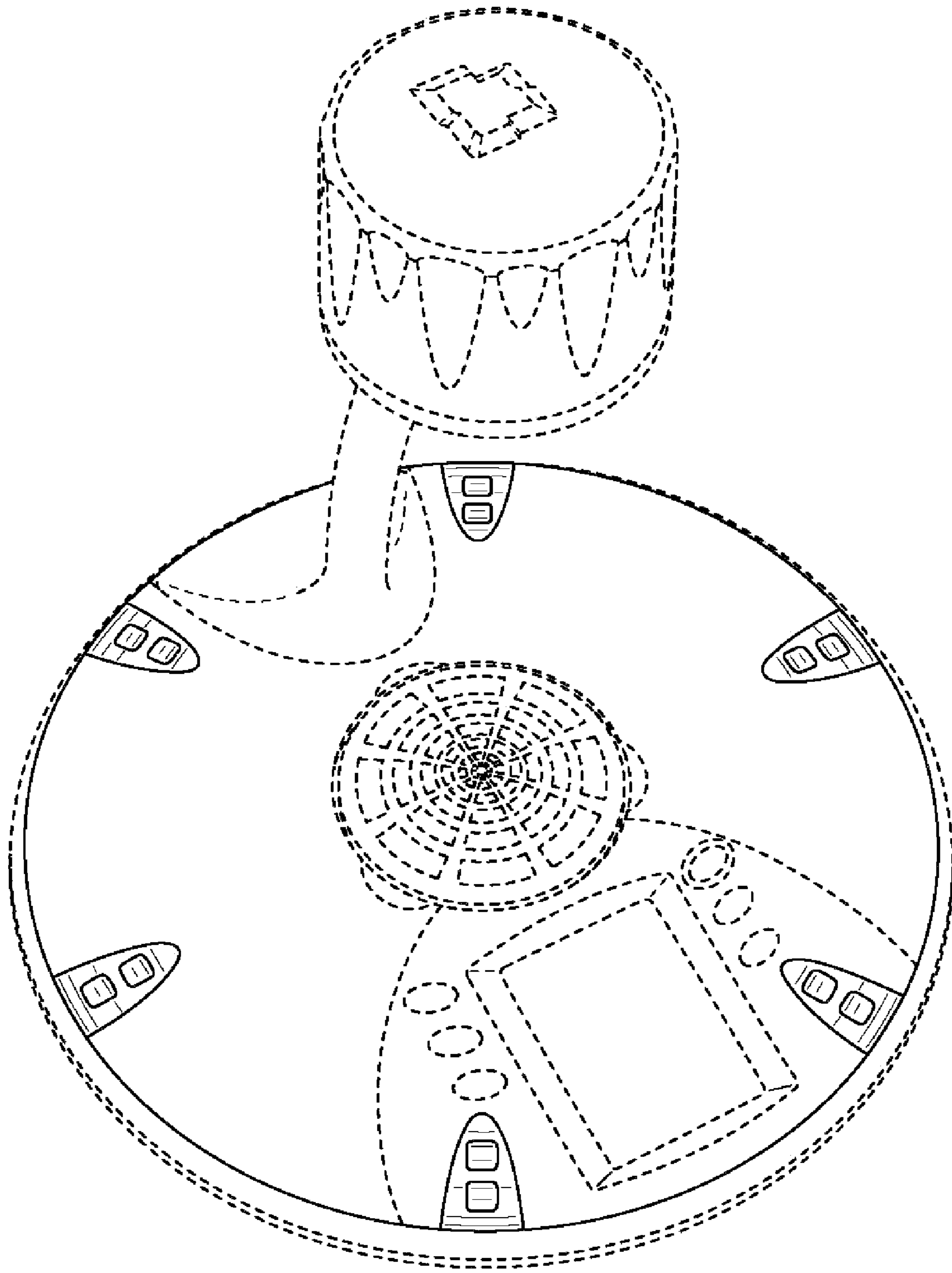


FIG. 1

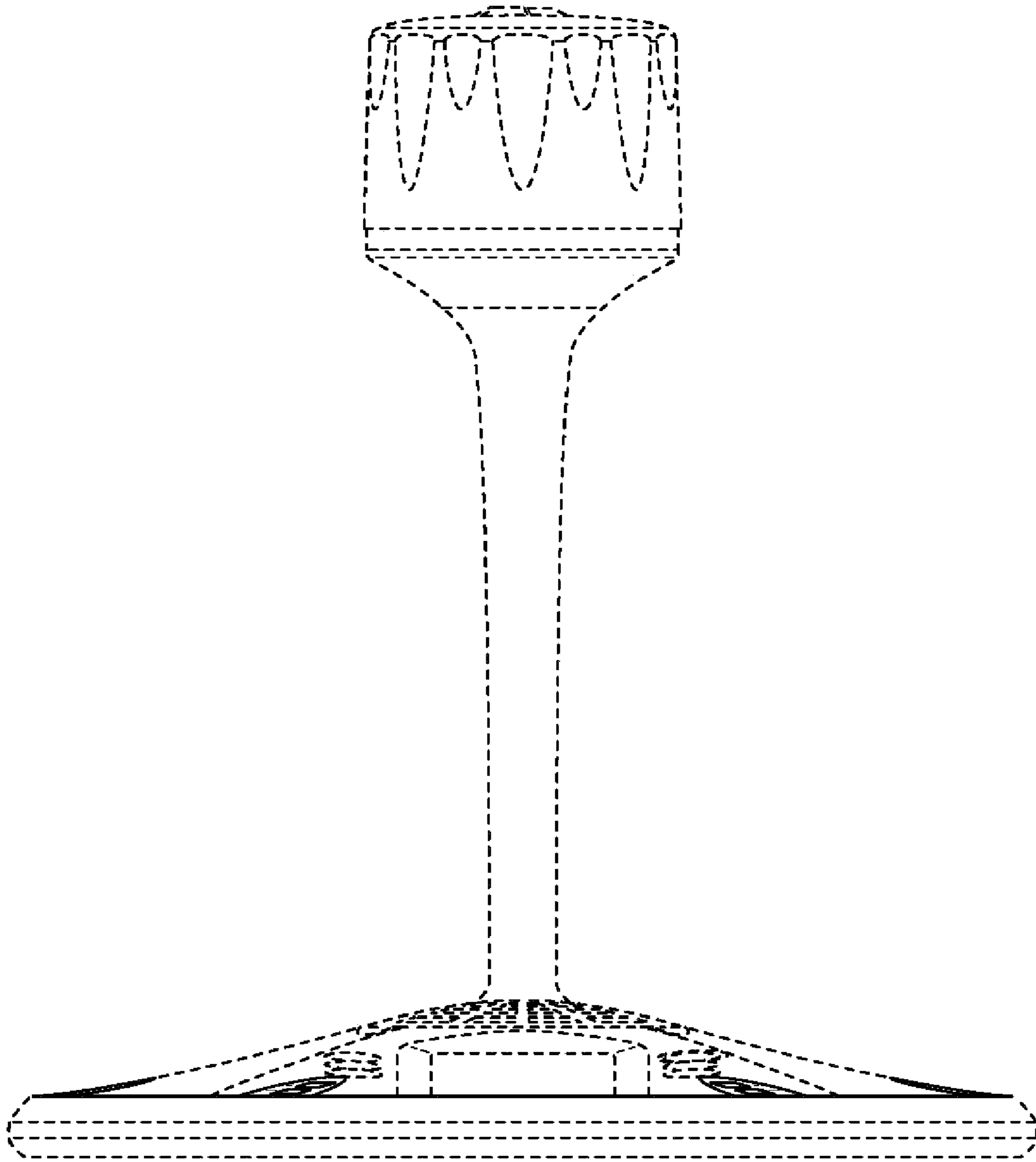


FIG. 2

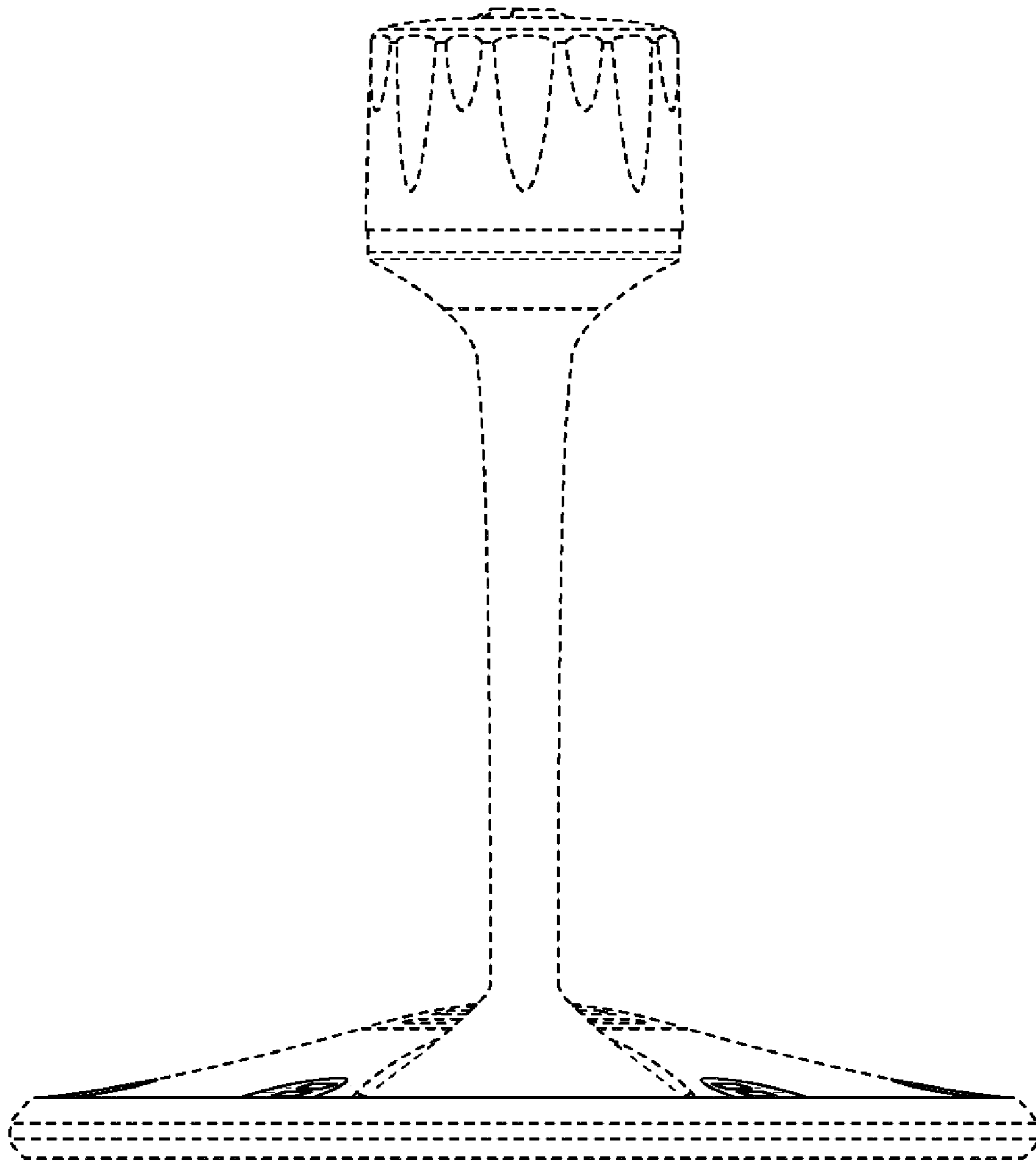


FIG. 3

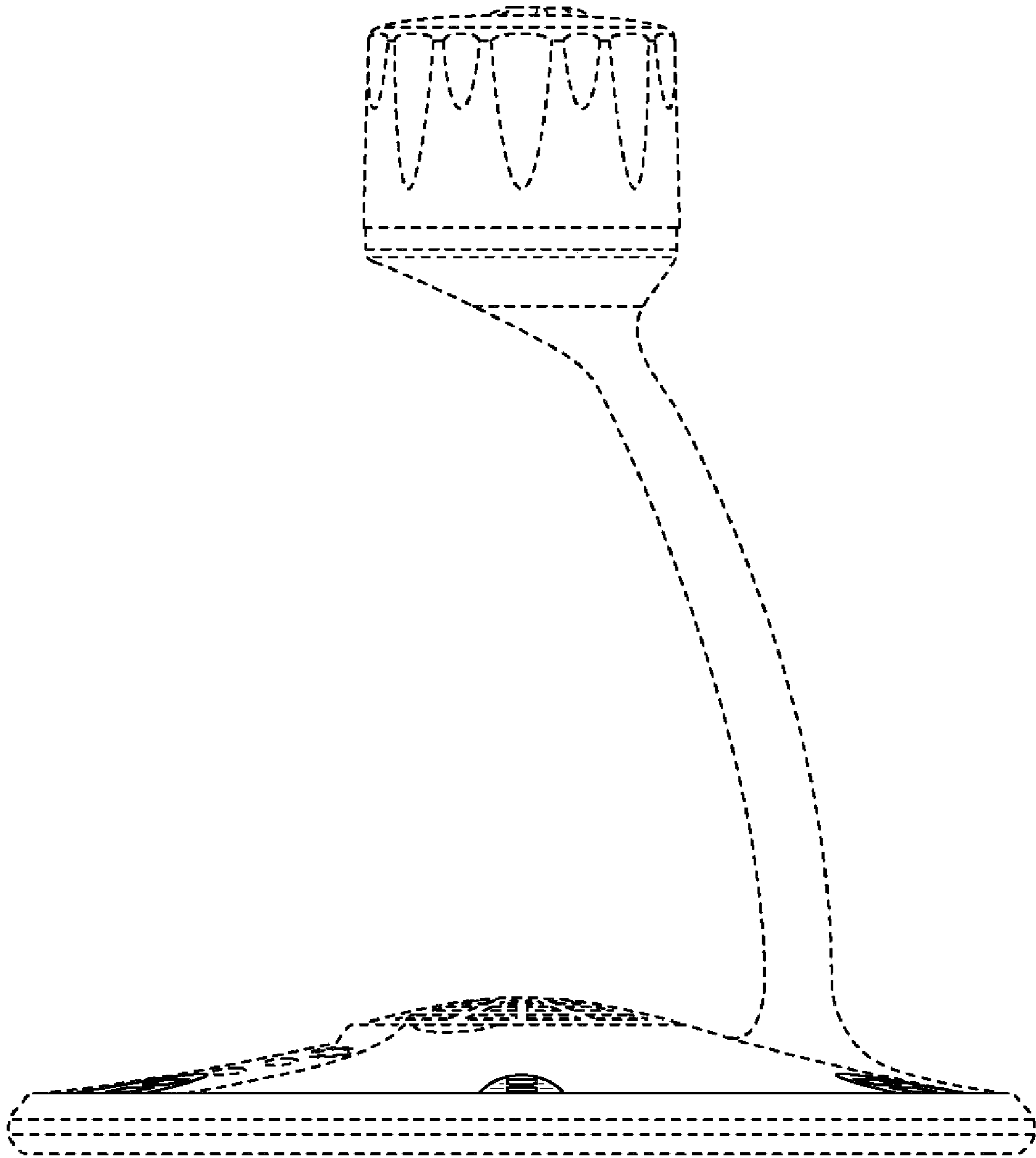


FIG. 4

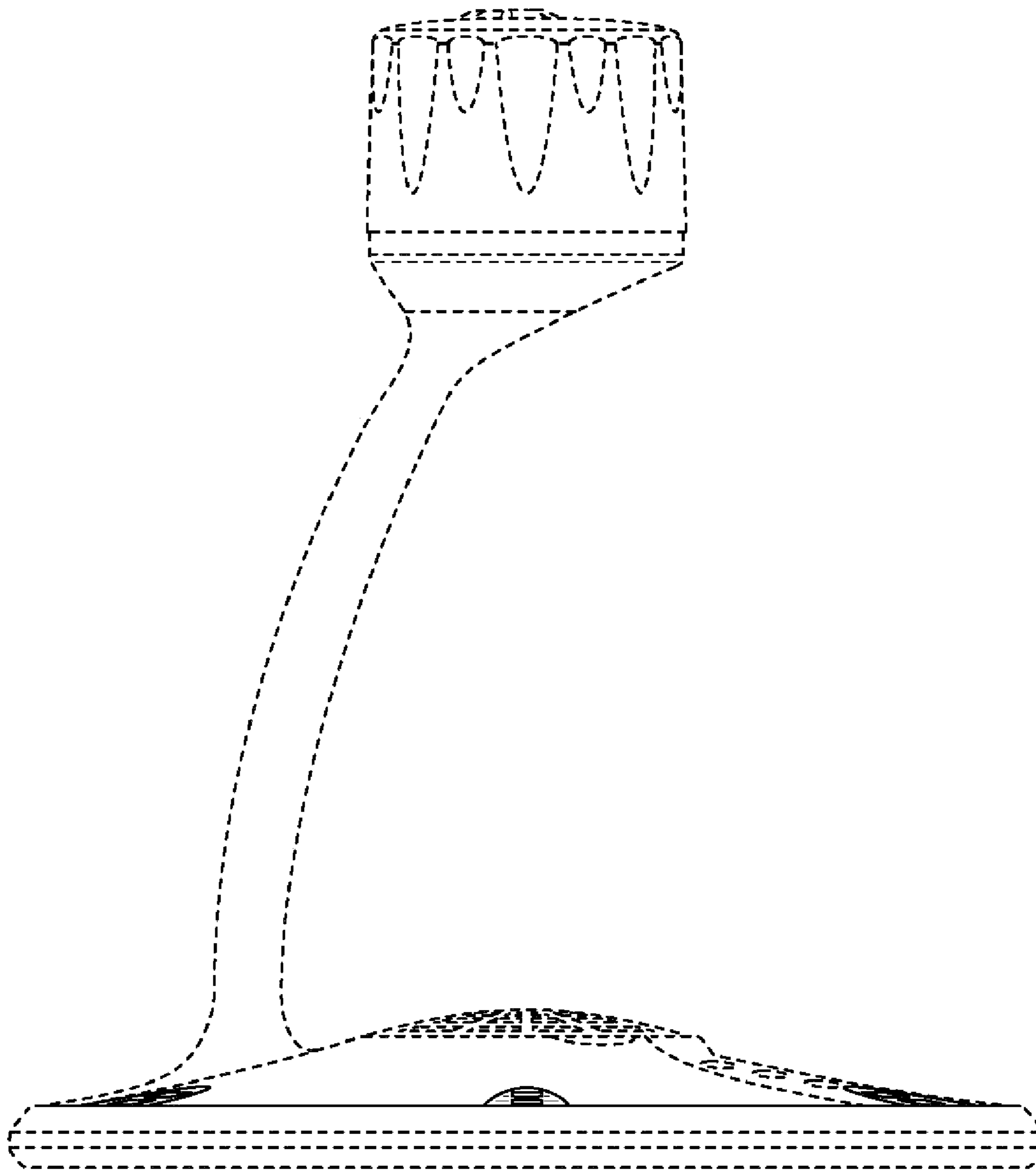


FIG. 5

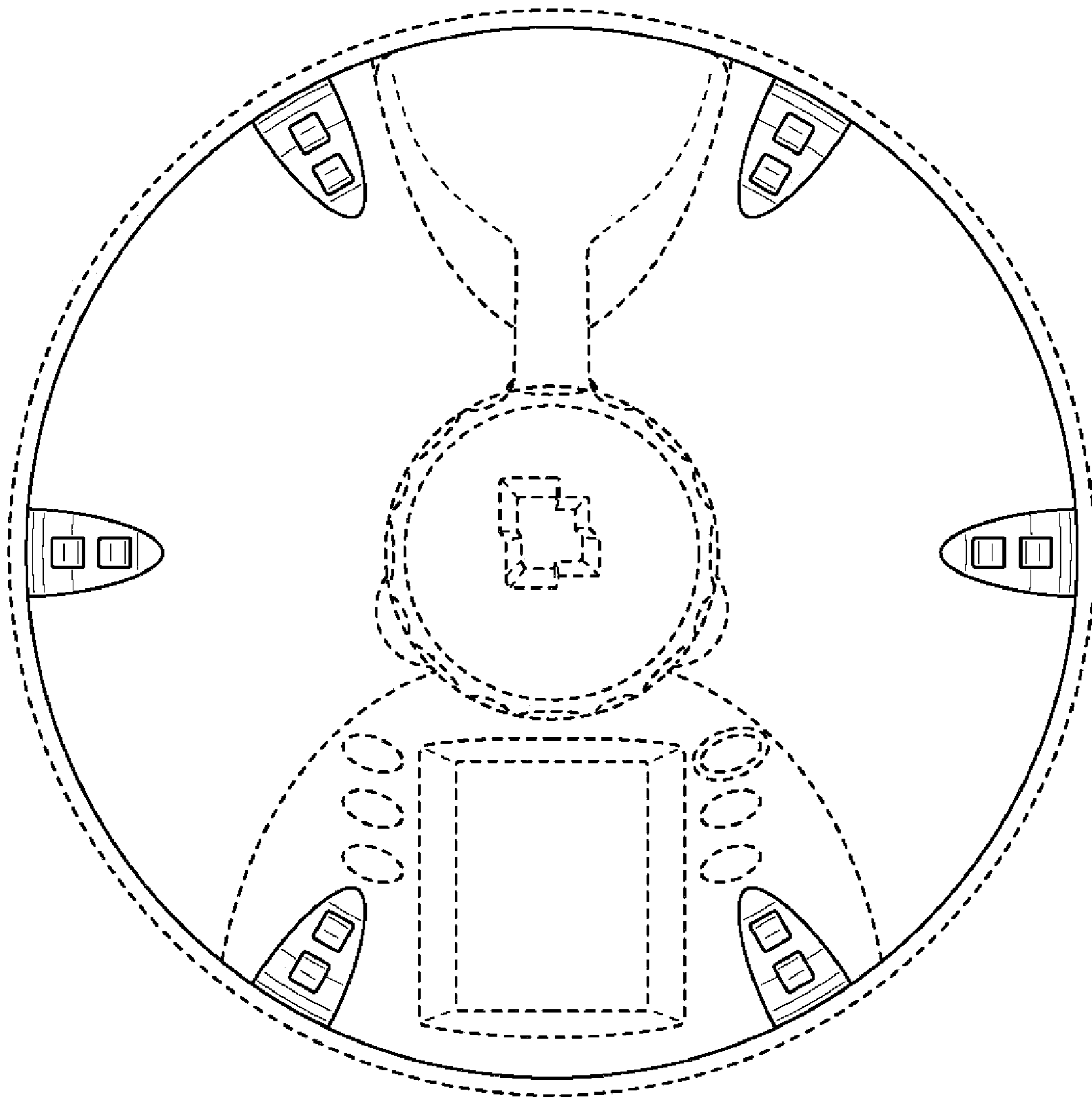


FIG. 6