



US00D566680S

(12) **United States Design Patent**  
**Freed**

(10) **Patent No.:** **US D566,680 S**

(45) **Date of Patent:** **\*\* Apr. 15, 2008**

(54) **PORTION OF AN AUDIOVISUAL COMMUNICATION DEVICE**

6,462,781 B1 \* 10/2002 Arnold ..... 348/373

6,466,249 B1 \* 10/2002 Granot et al. .... 348/14.08

D481,370 S \* 10/2003 Popowski et al. .... D14/150

D495,355 S \* 8/2004 Mudd et al. .... D16/232

D495,676 S \* 9/2004 Slevin et al. .... D14/150

(75) Inventor: **Robert Freed**, Kenmore, WA (US)

(73) Assignee: **Microsoft Corporation**, Redmond, WA (US)

\* cited by examiner

(\*\*) Term: **14 Years**

*Primary Examiner*—Terry A Wallace

(74) *Attorney, Agent, or Firm*—Banner & Witcoff, Ltd.

(21) Appl. No.: **29/246,327**

(57) **CLAIM**

(22) Filed: **Mar. 31, 2006**

The ornamental design for a portion of an audiovisual communication device, as shown and described.

(51) **LOC (8) Cl.** ..... **14-03**

(52) **U.S. Cl.** ..... **D14/149**

(58) **Field of Classification Search** ..... D14/130,  
D14/144, 149, 150, 155, 159, 230, 233, 238,  
D14/423; 379/202.01, 204.01; 348/14.01–14.06;  
370/260–268; 709/204, 205; 715/753; D26/103,  
D26/104, 107, 108, 110, 112, 119; D16/202,  
D16/203, 208, 214, 232

See application file for complete search history.

**DESCRIPTION**

FIG. 1 is a front perspective view of a portion of an audiovisual communication device showing my new design;

FIG. 2 is a front view thereof;

FIG. 3 is a rear view thereof;

FIG. 4 is a right view thereof;

FIG. 5 is a left view thereof; and,

FIG. 6 is a top view thereof.

The unshown bottom forms no part of the claimed design. The broken line showing of various regions and the unshaded areas within are for illustrative purposes only and form no part of the claimed design.

(56) **References Cited**

U.S. PATENT DOCUMENTS

D317,005 S \* 5/1991 Wickrema et al. .... D14/358

D373,355 S \* 9/1996 Huang et al. .... D14/130

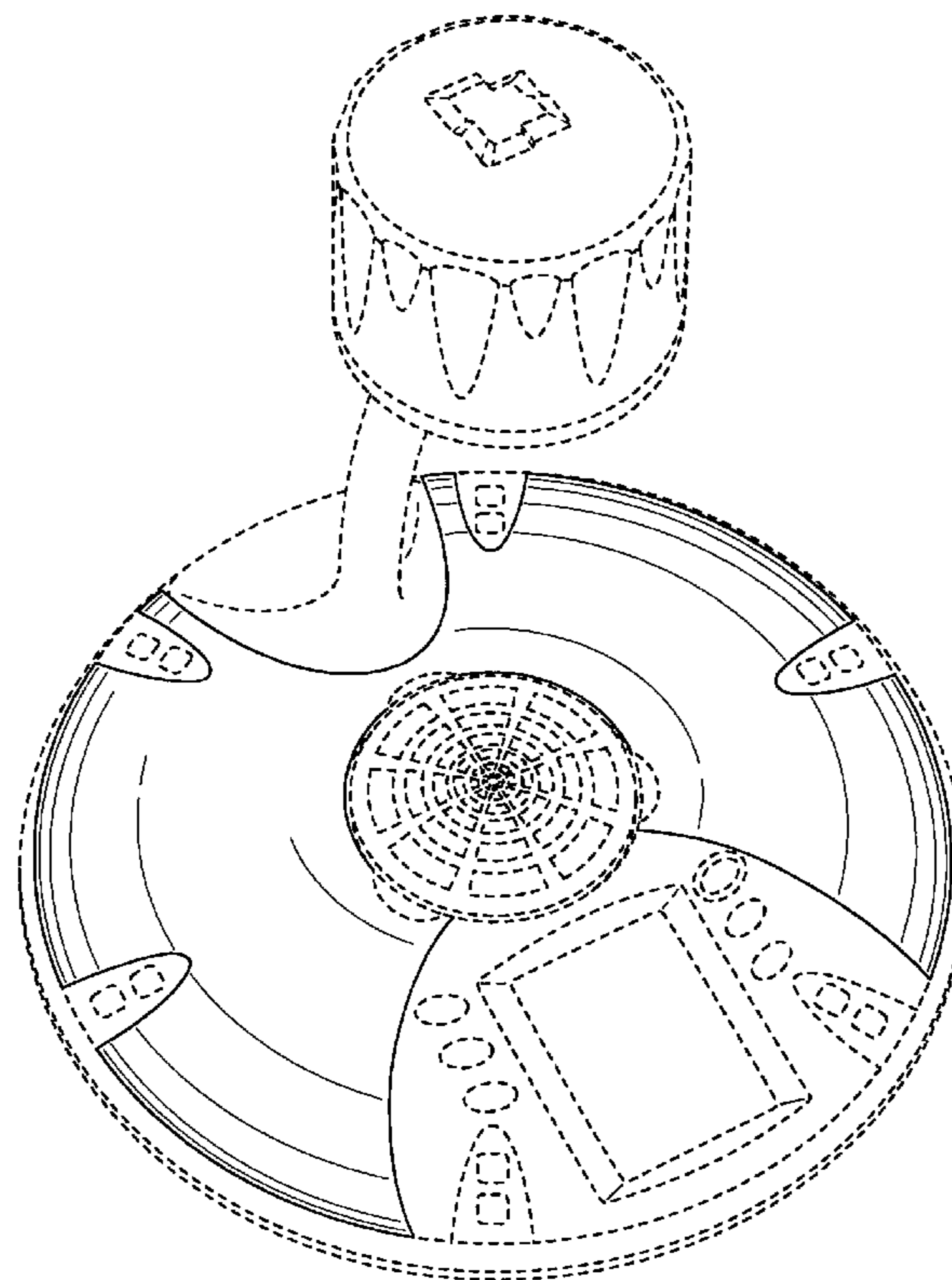
D412,331 S \* 7/1999 Nakamura ..... D14/155

D413,999 S \* 9/1999 Diaz-Azcuy ..... D26/110

D436,612 S \* 1/2001 Geng ..... D16/232

D446,533 S \* 8/2001 Gatto ..... D16/202

**1 Claim, 6 Drawing Sheets**



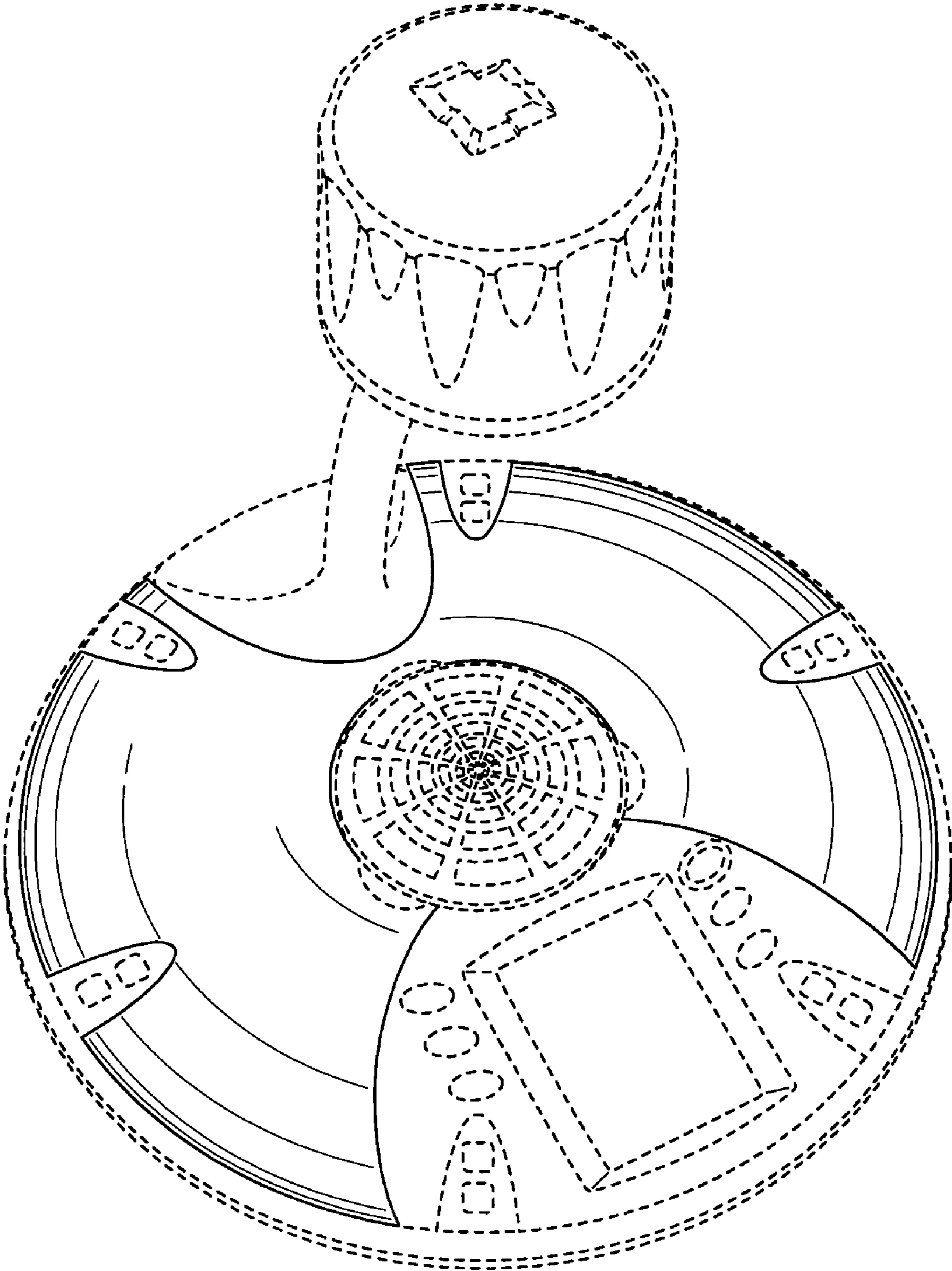


FIG. 1

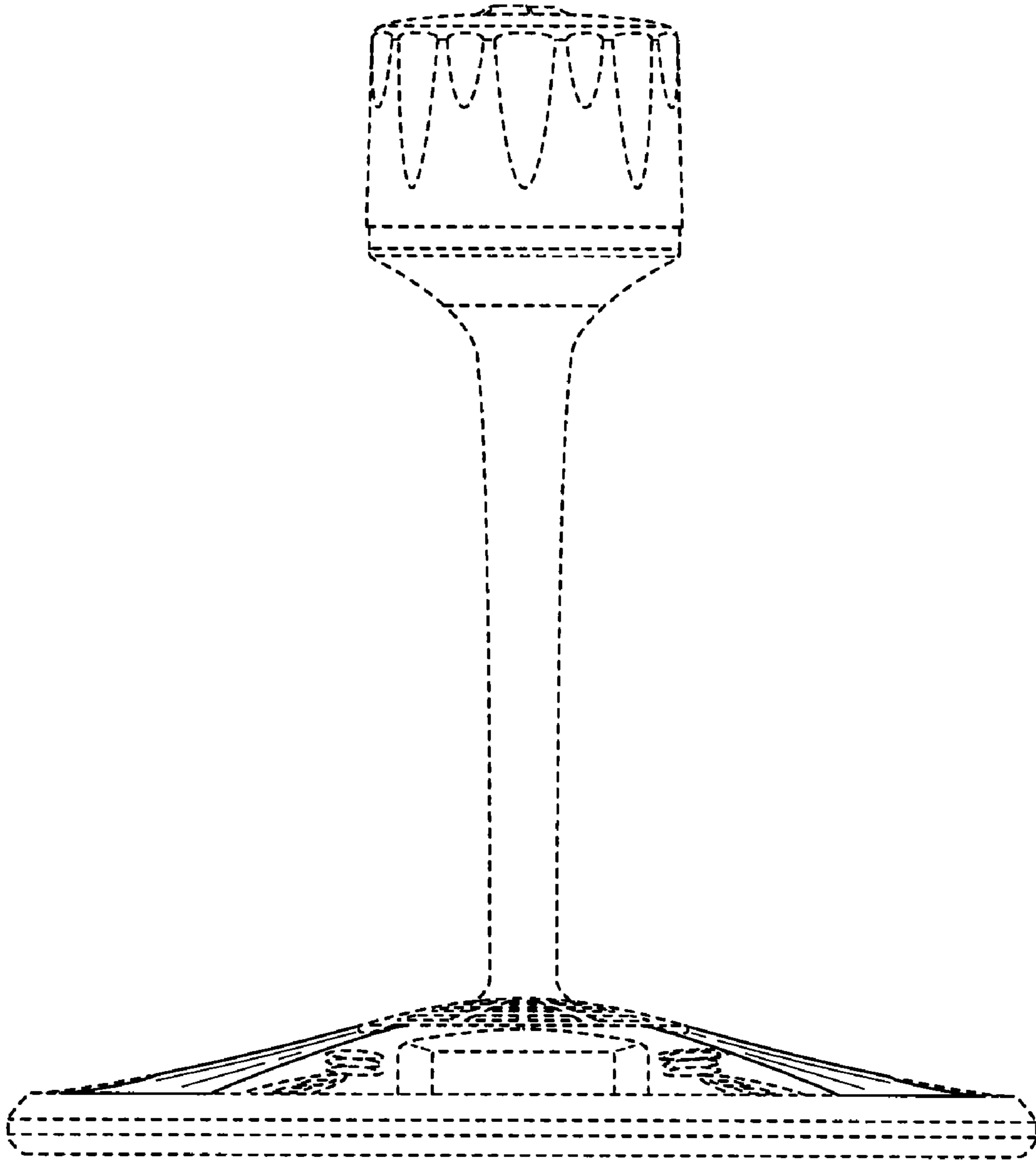


FIG. 2

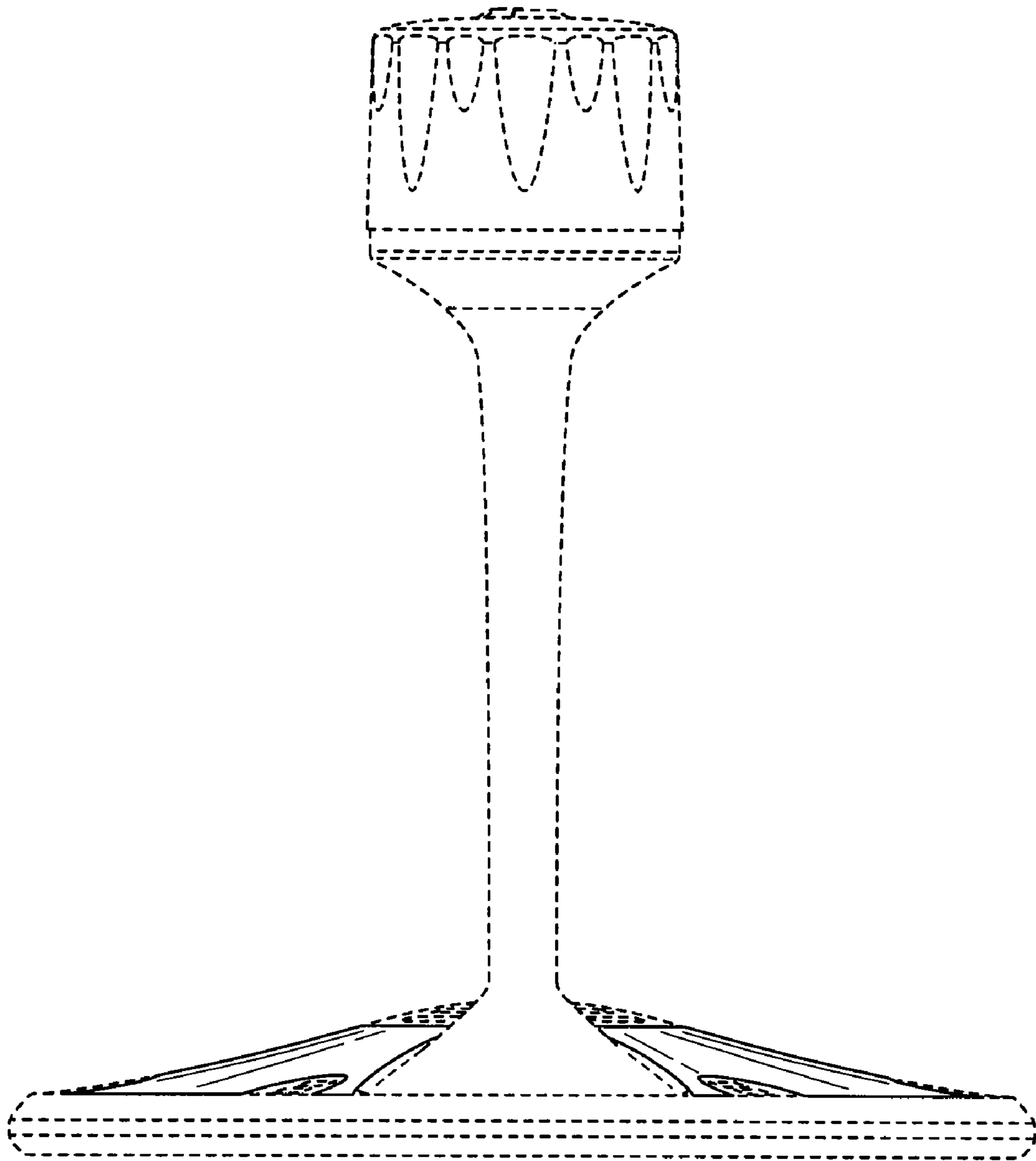


FIG. 3

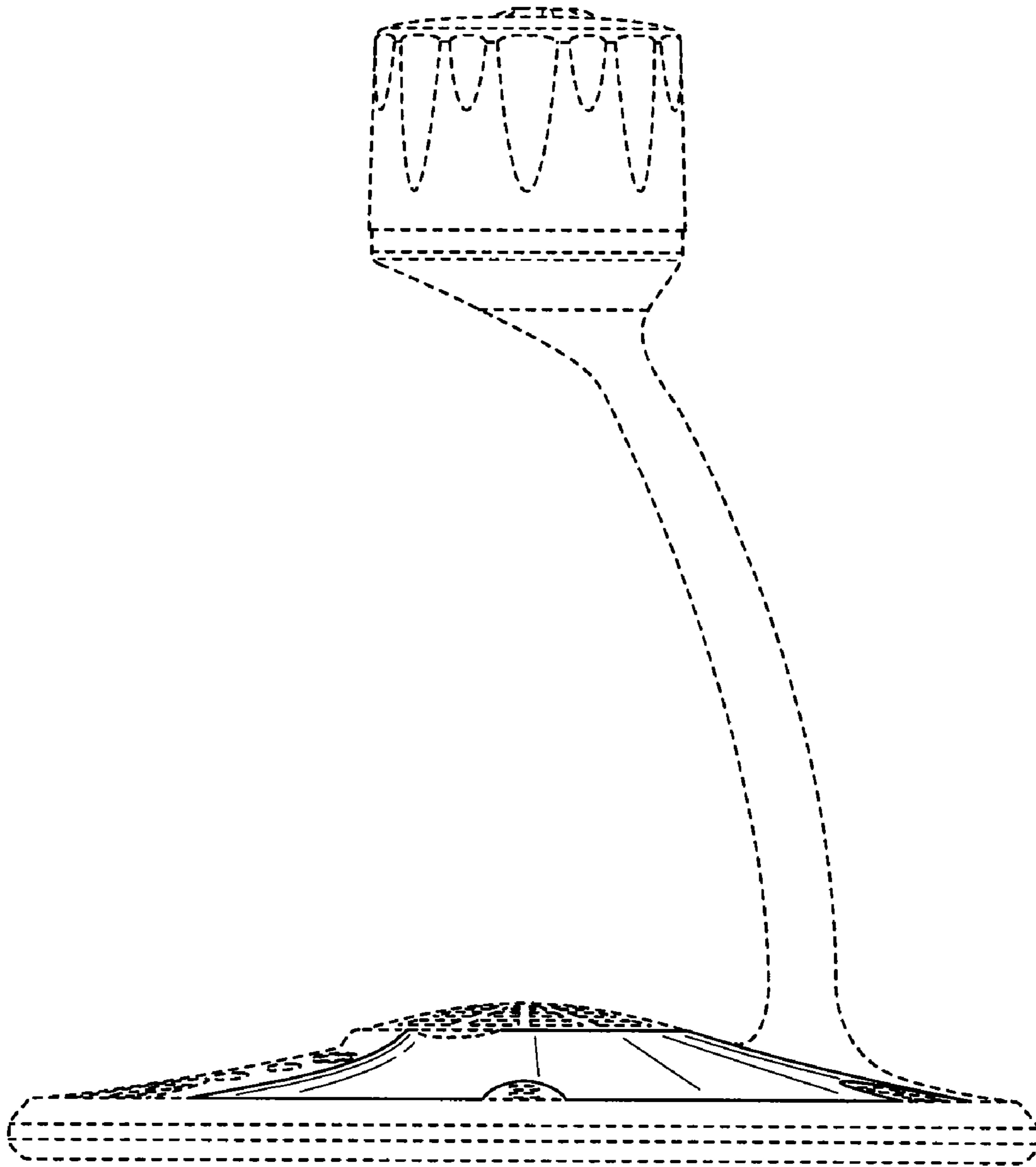


FIG. 4

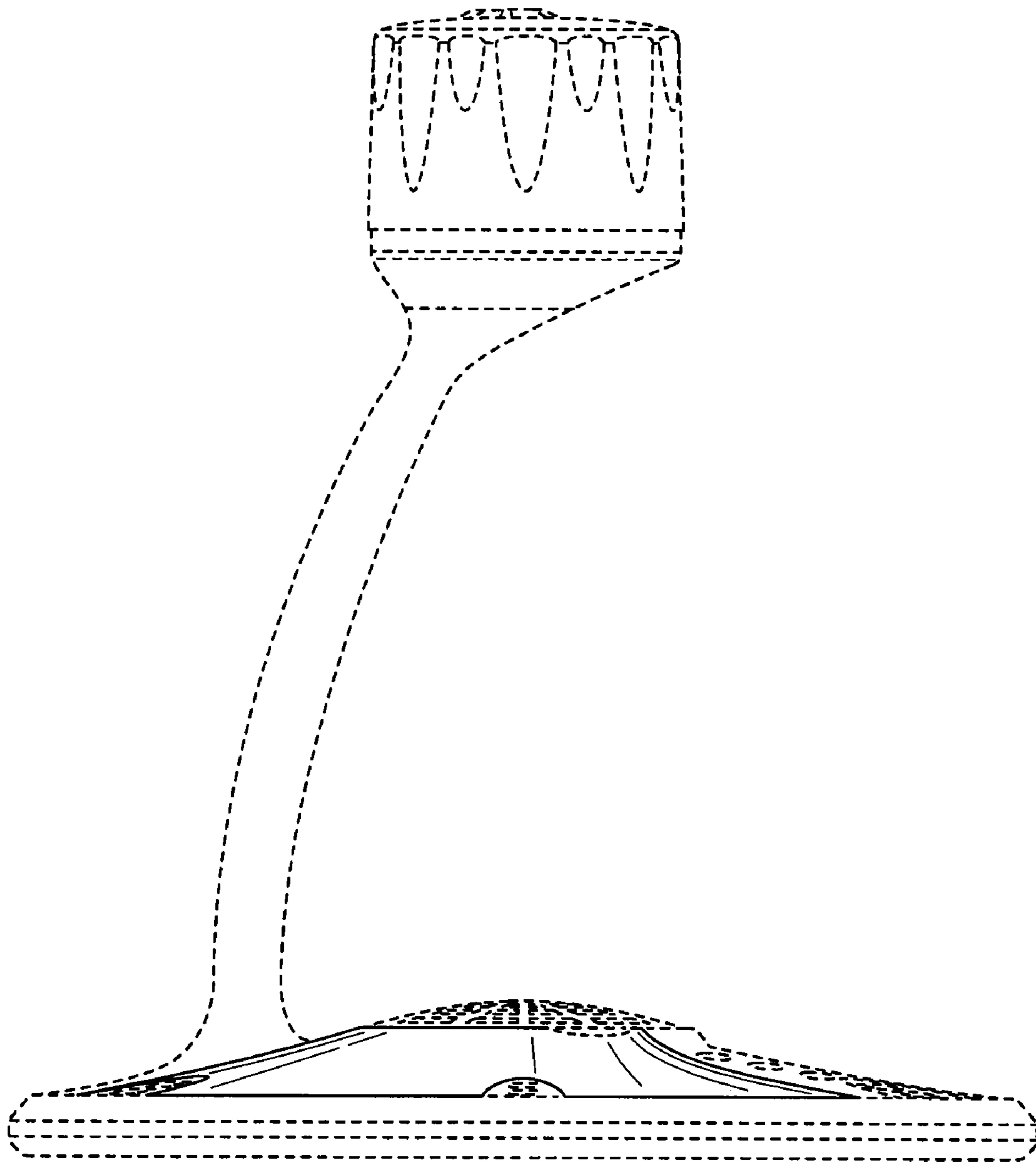


FIG. 5



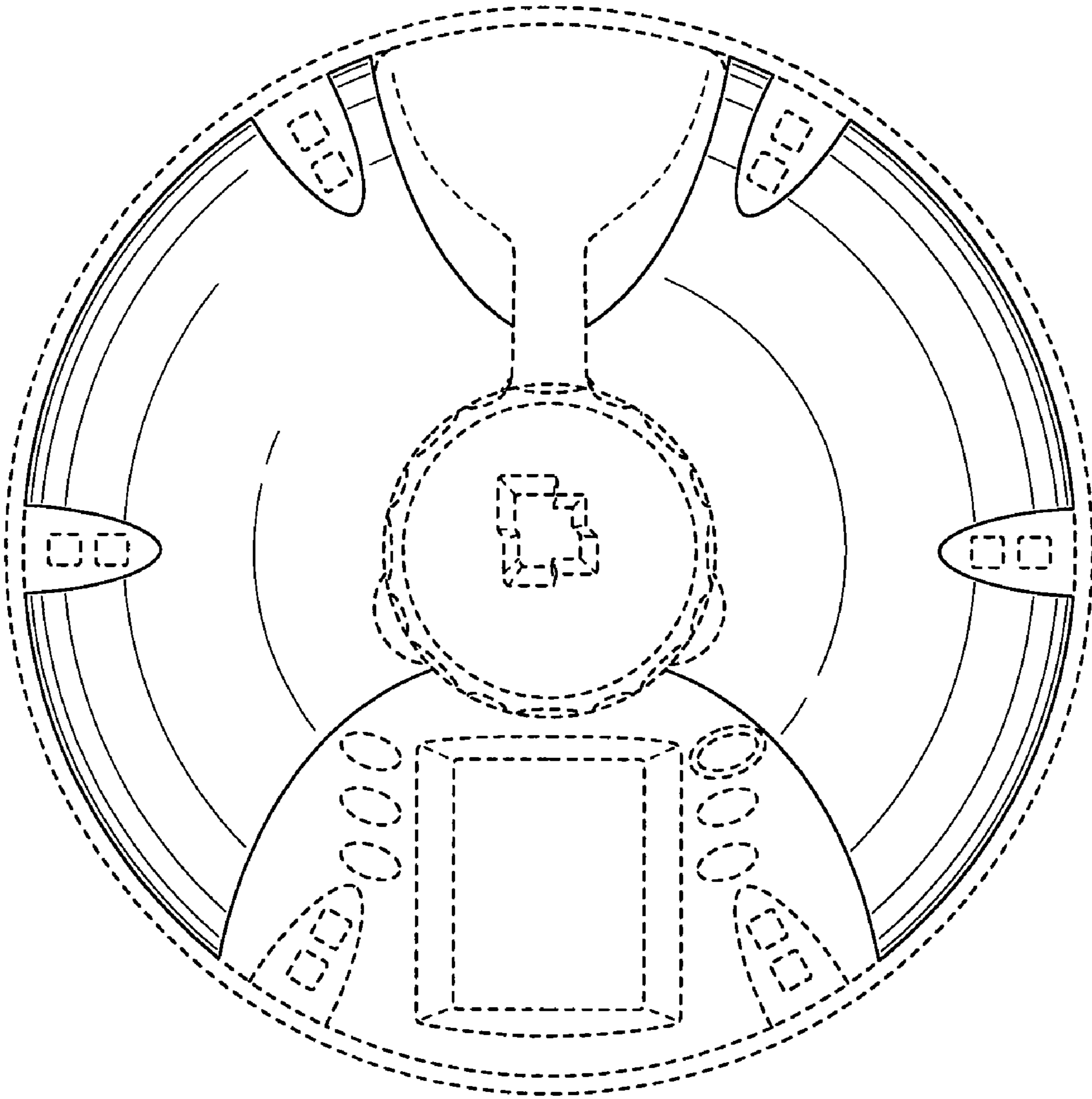


FIG. 6