

US00D566677S

(12) **United States Design Patent**  
**Park et al.**

(10) **Patent No.:** **US D566,677 S**  
(45) **Date of Patent:** **\*\* Apr. 15, 2008**

(54) **MOBILE PHONE**

(75) Inventors: **Dae-Yoeb Park**, Seoul (KR); **Nam-Mi Kim**, Seoul (KR); **Chang-Hwan Hwang**, Goyang-si (KR)

(73) Assignee: **Samsung Electronics Co., Ltd.**, Suwon-Si (KR)

(\*\*) Term: **14 Years**

(21) Appl. No.: **29/273,173**

(22) Filed: **Feb. 28, 2007**

(30) **Foreign Application Priority Data**

Dec. 11, 2006 (KR) ..... 30-2006-0049171

(51) **LOC (8) Cl.** ..... **14-03**

(52) **U.S. Cl.** ..... **D14/138**

(58) **Field of Classification Search** ..... D14/496,  
D14/138, 341-347; 455/575.3, 575.1; D21/517,  
D21/329, 333

See application file for complete search history.

(56) **References Cited**

**U.S. PATENT DOCUMENTS**

D321,865 S *	11/1991	Derocher	.....	D14/345
D352,503 S *	11/1994	Nagele	.....	D14/138
5,436,954 A *	7/1995	Nishiyama et al.	.....	455/566
D379,983 S *	6/1997	Shindou	.....	D14/138
D383,731 S *	9/1997	Mieki et al.	.....	D14/345
D476,303 S *	6/2003	Lee et al.	.....	D14/138
D482,030 S *	11/2003	Kataoka	.....	D14/345
D488,154 S *	4/2004	Lovelady et al.	.....	D14/345
D496,643 S *	9/2004	Yoo et al.	.....	D14/138
D518,467 S *	4/2006	Kim et al.	.....	D14/138
D536,320 S *	2/2007	Michaels	.....	D14/138
D538,772 S *	3/2007	Cha et al.	.....	D14/138
D543,172 S *	5/2007	Lee et al.	.....	D14/138
D545,287 S *	6/2007	Han et al.	.....	D14/138
D546,307 S *	7/2007	Lee	.....	D14/138
D548,212 S *	8/2007	Lee	.....	D14/138
D551,643 S *	9/2007	Kim et al.	.....	D14/138
D556,166 S *	11/2007	Lee et al.	.....	D14/138

2003/0125079 A1 *	7/2003	Park et al.	.....	455/556
2005/0282596 A1 *	12/2005	Park et al.	.....	455/575.3
2006/0094482 A1 *	5/2006	Takagi	.....	455/575.3
2006/0135225 A1 *	6/2006	Lin et al.	.....	455/575.3
2006/0135226 A1 *	6/2006	Won et al.	.....	455/575.3
2007/0060217 A1 *	3/2007	Kim	.....	455/575.3

**OTHER PUBLICATIONS**

Samsung U300, announced Feb. 2007, [online], [site visited Dec. 16, 2007]. Available from Internet ,<URL: <http://www.gsmarena.com>>.\*

Samsung X520, announced Oct. 2006, [online], [site visited Dec. 16, 2007]. Available from Internet ,<URL: <http://www.gsmarena.com>>.\*

Samsung D830, announced Jun. 2006, [online], [site visited Dec. 16, 2007]. Available from Internet ,<URL: <http://www.gsmarena.com>>.\*

(Continued)

*Primary Examiner*—Jeffrey Asch

(74) *Attorney, Agent, or Firm*—Staas & Halsey LLP

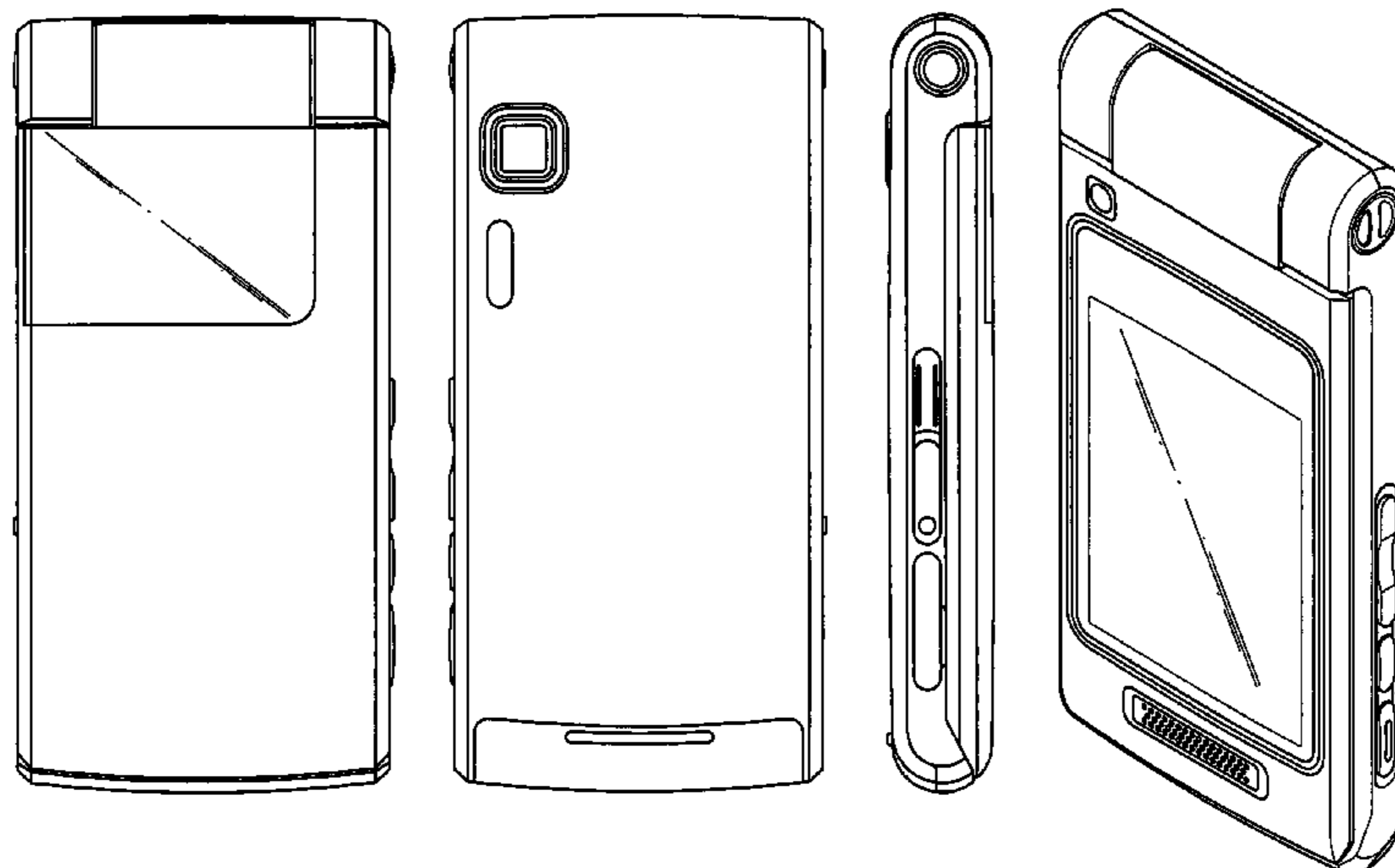
(57) **CLAIM**

The ornamental design for a mobile phone, as shown and described.

**DESCRIPTION**

FIG. 1 is a perspective view of a mobile phone;  
 FIG. 2 is a front view of the mobile phone of FIG. 1;  
 FIG. 3 is a rear view of the mobile phone of FIG. 1;  
 FIG. 4 is a left-side view of the mobile phone of FIG. 1;  
 FIG. 5 is a right-side view of the mobile phone of FIG. 1;  
 FIG. 6 is a top plan view of the mobile phone of FIG. 1;  
 FIG. 7 is a bottom plan view of the mobile phone of FIG. 1;  
 FIG. 8 is an open right-side view of the mobile phone of FIG. 1;  
 FIG. 9 is another open right-side view of the mobile phone of FIG. 1, where the screen is rotated; and,  
 FIG. 10 is another perspective view of the mobile phone of FIG. 1, with the screen rotated.

**1 Claim, 6 Drawing Sheets**



OTHER PUBLICATIONS

Samsung E870, announced 1st quarter 2006, [online], [site visited Dec. 16, 2007]. Available from Internet ,<URL: <http://www.gsmarena.com>>.\*

Samsung Z510, announced 4th quarter 2005, [online], [site visited Dec. 16, 2007]. Available from Internet ,<URL: <http://www.gsmarena.com>>.\*

Nokia N92 telephone, announced 4th quarter 2005, [online], [site visited Dec. 16, 2007]. Available from Internet ,<URL: <http://www.gsmarena.com>>.\*

NEC e636, announced Feb. 2006, [online], [site visited Dec. 16, 2007]. Available from internet ,<URL: <http://www.gsmarena.com>>.\*

\* cited by examiner

FIG. 1

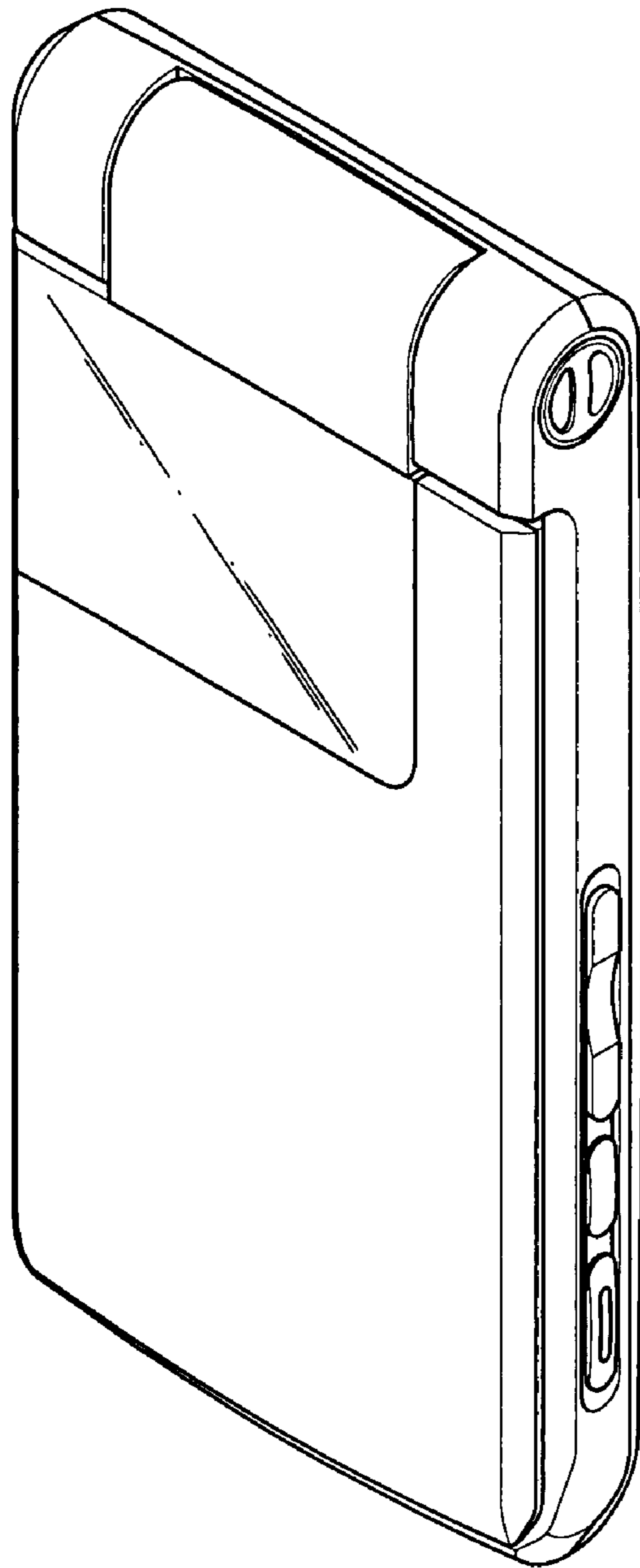


FIG. 2

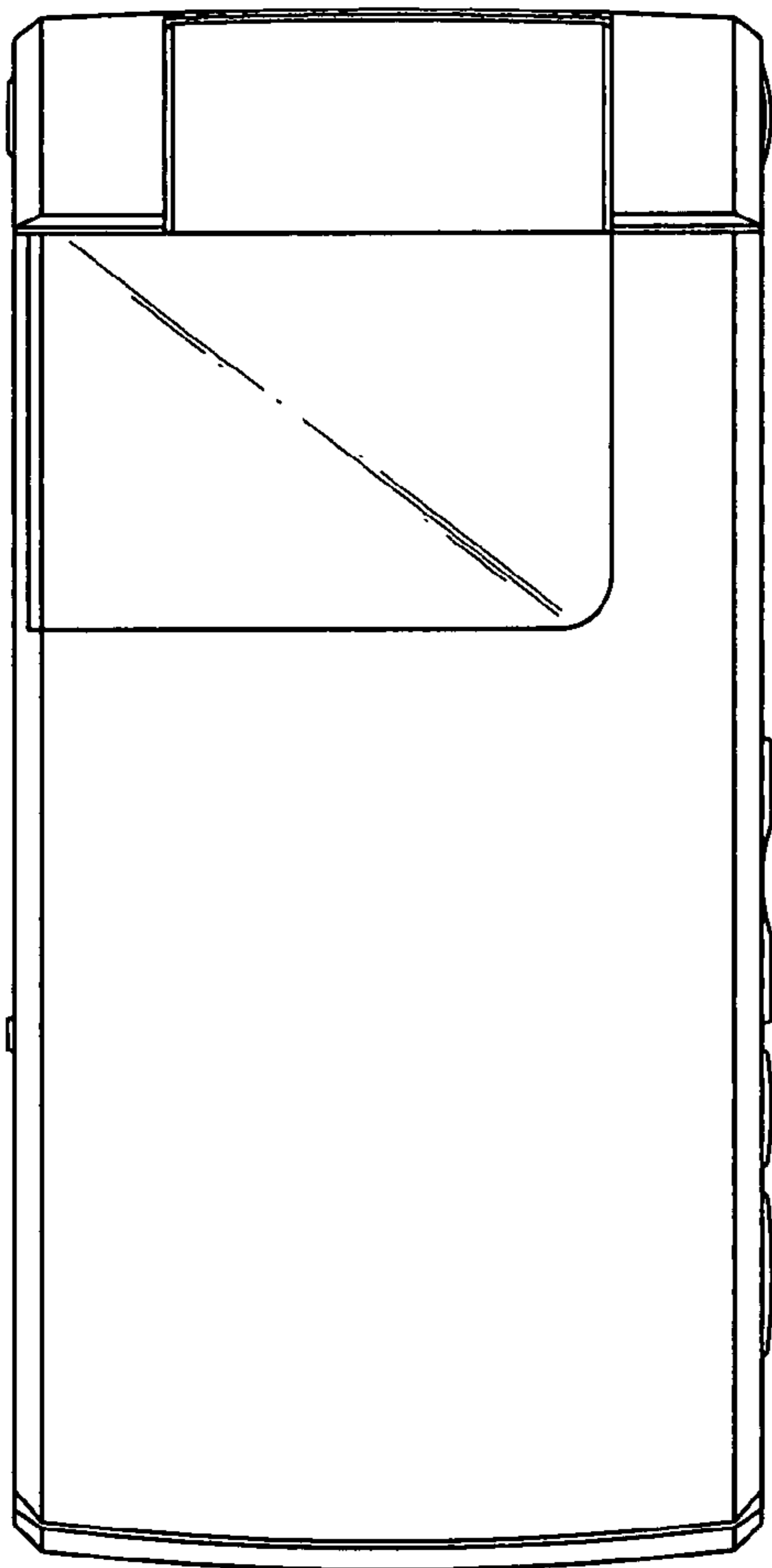


FIG. 3

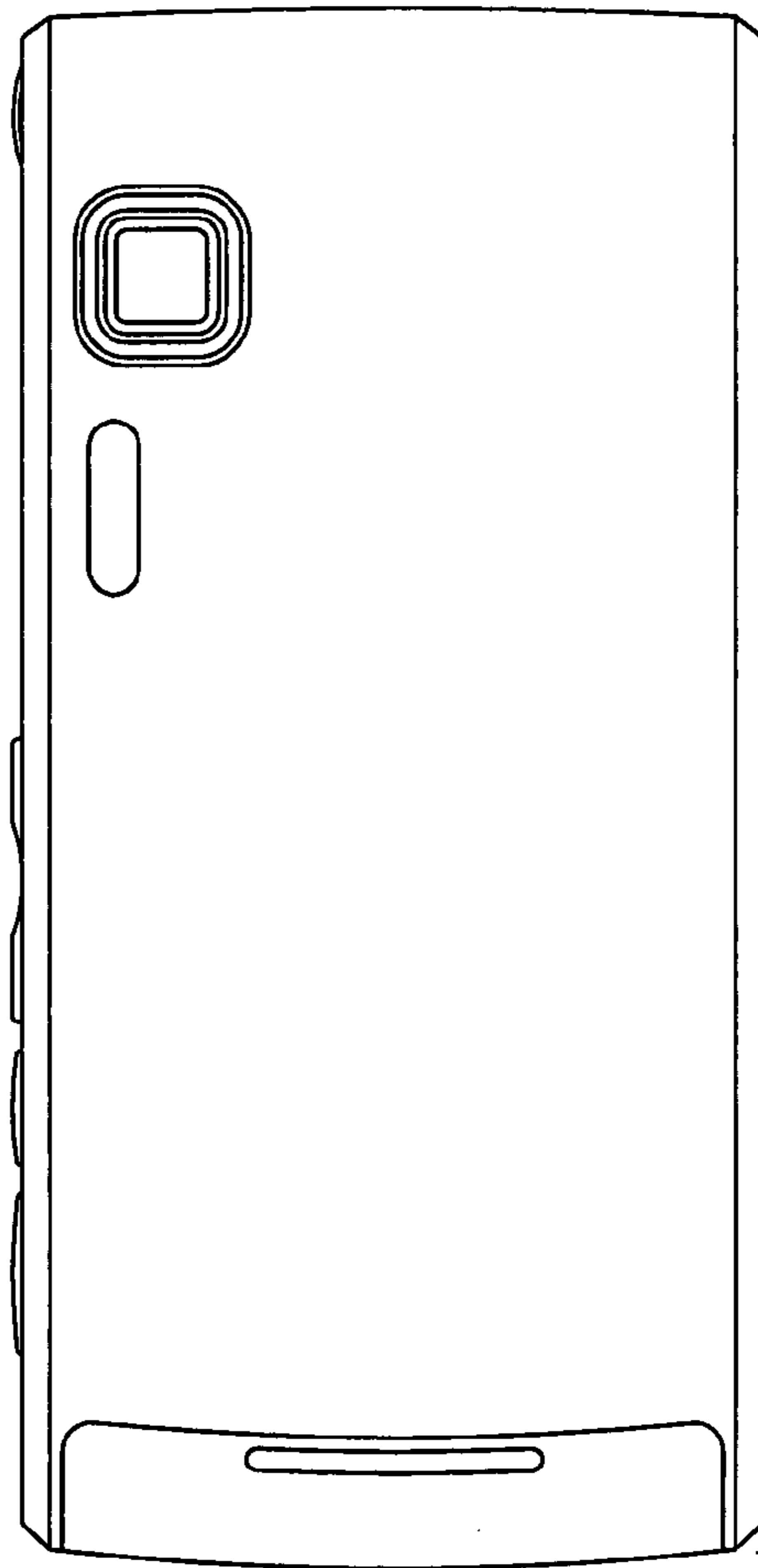


FIG. 4

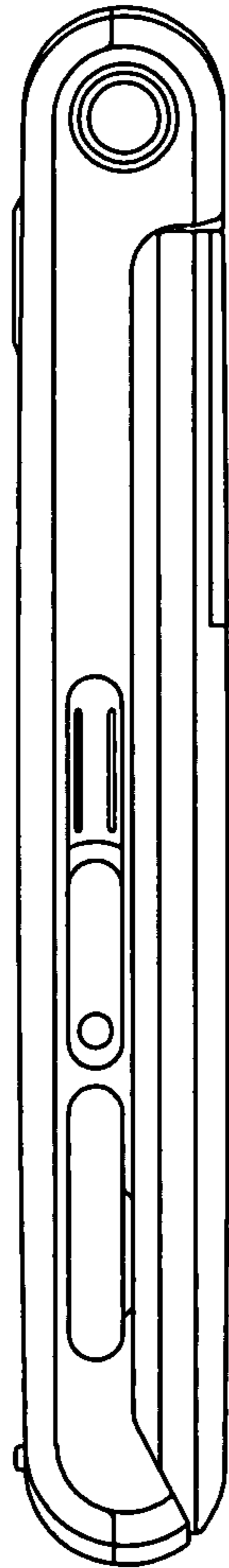


FIG. 5

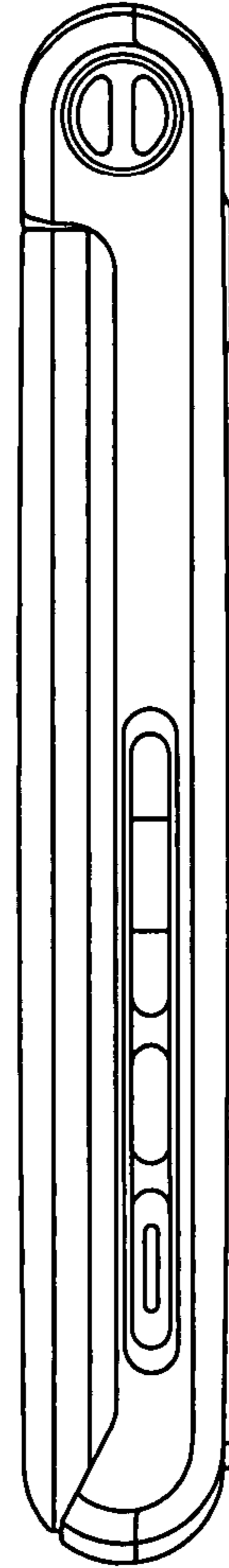


FIG. 6

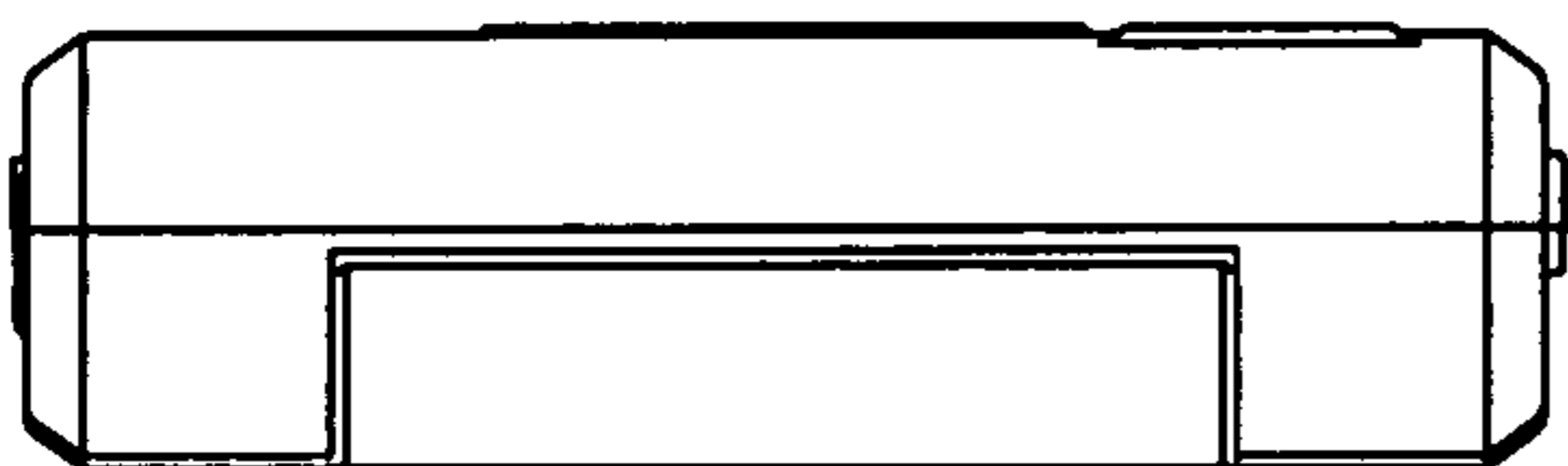


FIG. 7

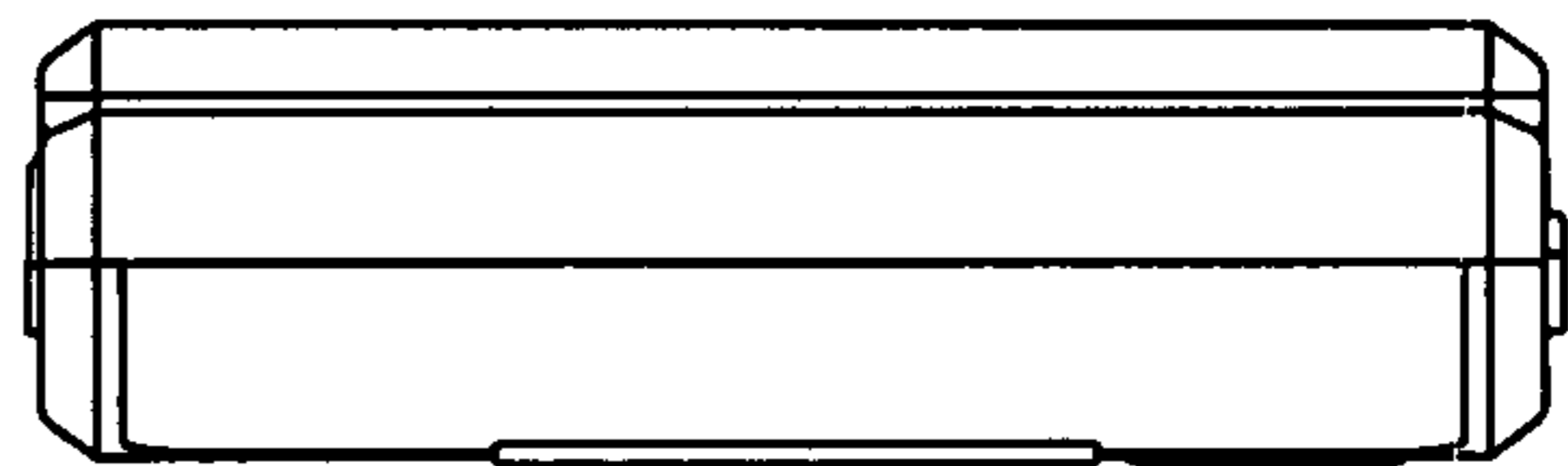


FIG. 8

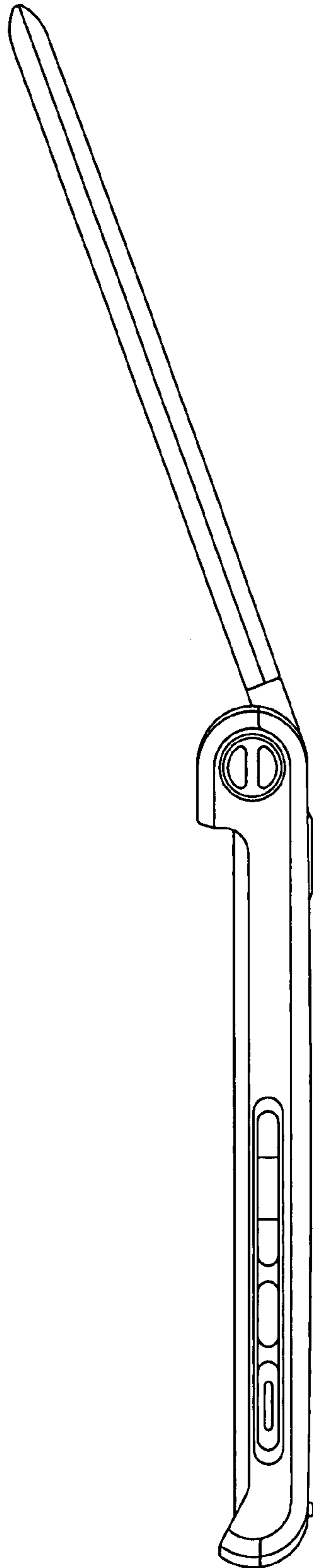


FIG. 9

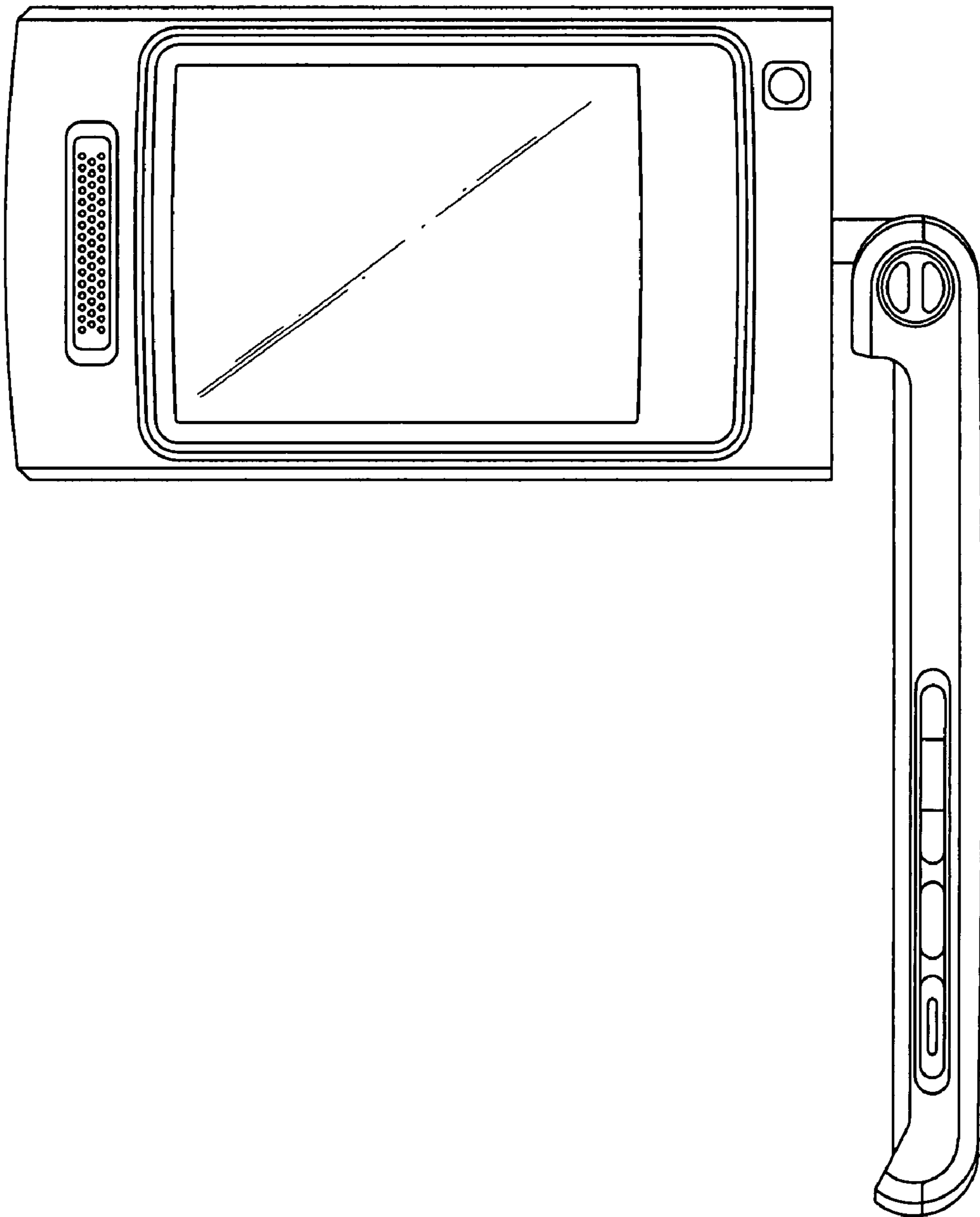




FIG. 10

