

US00D566674S

(12) **United States Design Patent**  
**Park**

(10) **Patent No.:** **US D566,674 S**

(45) **Date of Patent:** **\*\* \*Apr. 15, 2008**

(54) **MOBILE PHONE**

(75) Inventor: **Jae Woon Park**, Gyeonggi-do (KR)

(73) Assignee: **LG Electronics Inc.**, Seoul (KR)

(\*) Notice: This patent is subject to a terminal disclaimer.

(\*\*) Term: **14 Years**

(21) Appl. No.: **29/259,884**

(22) Filed: **May 18, 2006**

(30) **Foreign Application Priority Data**

Nov. 21, 2005 (KR) ..... 30-2005-0039134

(51) **LOC (8) Cl.** ..... **14-03**

(52) **U.S. Cl.** ..... **D14/138**

(58) **Field of Classification Search** ..... D14/137,  
D14/138, 147, 218, 341-347, 496; 455/90.3,  
455/556.1, 556.2, 575.1, 575.3, 575.4; 379/433.01-433.13;  
361/814; 348/14.02

See application file for complete search history.

(56) **References Cited**

**U.S. PATENT DOCUMENTS**

D422,971 S *	4/2000	Leib	.....	D14/346
D472,895 S *	4/2003	Ribeiro et al.	.....	D14/248
D479,214 S *	9/2003	Bertrand et al.	.....	D14/138
D493,457 S *	7/2004	Hsu	.....	D14/346
D494,188 S *	8/2004	Huang	.....	D14/496
D496,644 S *	9/2004	Yoo et al.	.....	D14/138
D496,944 S *	10/2004	Huang	.....	D14/496
D509,206 S *	9/2005	Jang	.....	D14/138
D509,813 S *	9/2005	Miyazawa et al.	.....	D14/138
D510,937 S *	10/2005	Tsai	.....	D14/496
D513,512 S *	1/2006	Tsai	.....	D14/496
D514,462 S *	2/2006	Yang	.....	D10/106
D520,020 S *	5/2006	Senda et al.	.....	D14/496
D525,959 S *	8/2006	Kim et al.	.....	D14/138
D527,717 S *	9/2006	Kim	.....	D14/138
D529,886 S *	10/2006	Jang	.....	D14/138
D530,699 S *	10/2006	Lee et al.	.....	D14/138

D531,156 S *	10/2006	Ahn et al.	.....	D14/138
D533,160 S *	12/2006	Yoo et al.	.....	D14/138
D534,893 S *	1/2007	Jo et al.	.....	D14/138
D535,968 S *	1/2007	Lee	.....	D14/138
D541,249 S *	4/2007	Hirano	.....	D14/138
2004/0242288 A1 *	12/2004	Balle et al.	.....	455/575.1
2005/0014538 A1 *	1/2005	Hyun et al.	.....	455/575.4
2005/0049019 A1 *	3/2005	Lee	.....	455/575.4
2006/0287015 A1 *	12/2006	Dunko	.....	455/575.4

**OTHER PUBLICATIONS**

Sony Ericsson S700, announced Mar. 2004, [online], [retrieved on Feb. 16, 2007]. Retrieved from Internet ,<URL: http://www.gsmarena.com>.\*

Panasonic X500, announced 2nd quarter 2004, [online], [retrieved on Feb. 16, 2007]. Retrieved from Internet ,<URL: http://www.gsmarena.com>.\*

(Continued)

*Primary Examiner*—Jeffrey Asch

*Assistant Examiner*—Bridget L Eland

(74) *Attorney, Agent, or Firm*—Birch, Stewart, Kolasch & Birch, LLP

(57) **CLAIM**

The ornamental design for a mobile phone, as shown and described.

**DESCRIPTION**

FIG. 1 is a perspective view of a mobile phone showing my (our) new design;

FIG. 2 is a front view thereof;

FIG. 3 is a rear view thereof;

FIG. 4 is a left side view thereof;

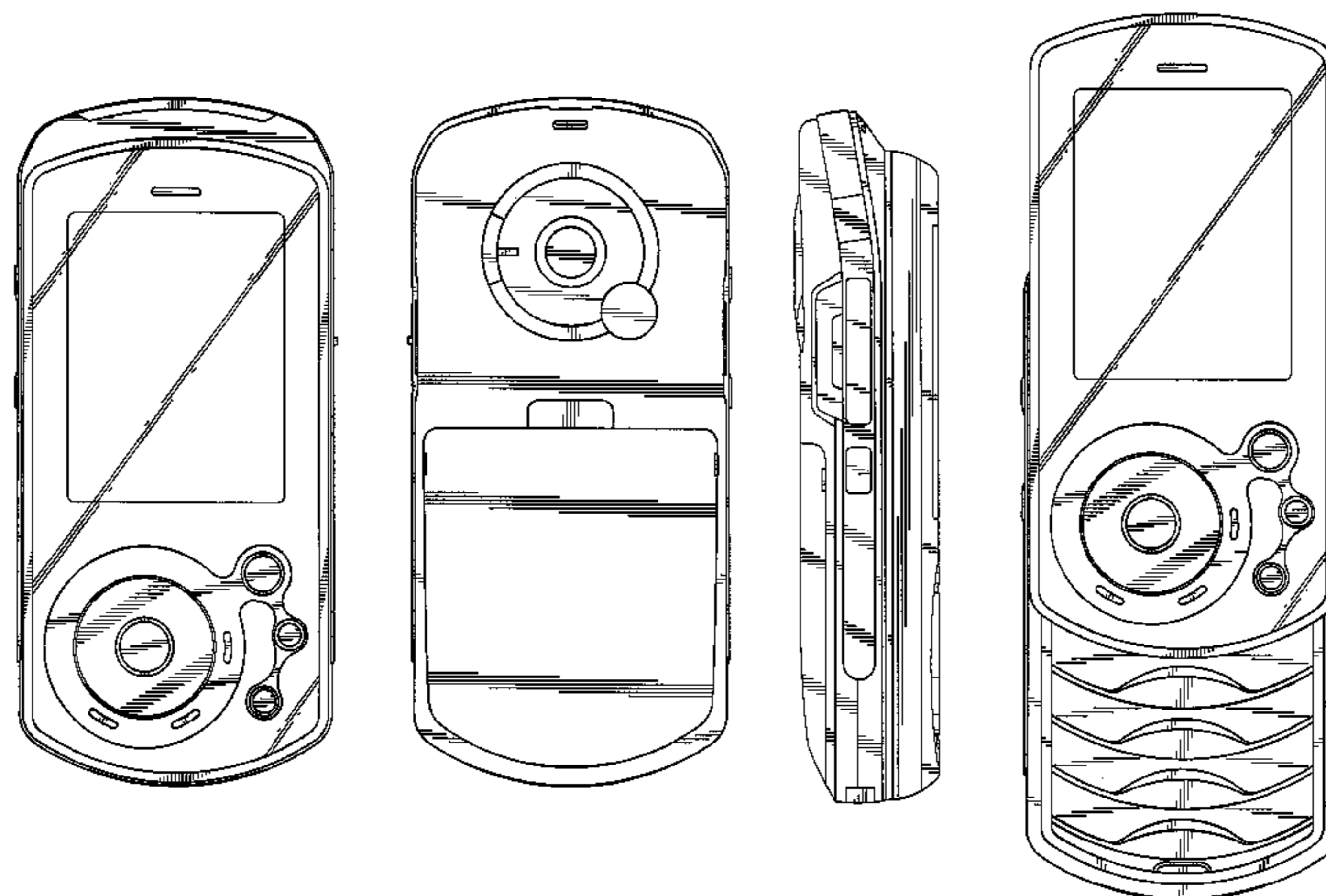
FIG. 5 is a right side view thereof;

FIG. 6 is a top plan view thereof;

FIG. 7 is a bottom plan view thereof; and,

FIG. 8 is a front view thereof in a condition that the upper body thereof is slided upward and the inner key pad is exposed.

**1 Claim, 7 Drawing Sheets**



OTHER PUBLICATIONS

i-mate JAMin, announced 1st quarter 2006, [online], [retrieved on Feb. 20, 2007]. Retrieved from Internet ,<URL: <http://www.gsmarena.com>>.\*

LG KE600, announced Mar. 2006, [online], [retrieved on Feb. 20, 2007]. Retrieved from Internet ,<URL: <http://www.gsmarena.com>>.\*

LG U400, announced Jul. 2006, [online], [retrieved on Feb. 20, 2007]. Retrieved from Internet ,<URL: <http://www.gsmarena.com>>.\*

HTC P3300, announced Sep. 2006, [online], [retrieved on Feb. 20, 2007]. Retrieved from Internet ,<URL: <http://www.gsmarena.com>>.\*

Pantech U-4000, announced Nov. 2006, [online], [retrieved on Feb. 20, 2007]. Retrieved from Internet ,<URL: <http://www.gsmarena.com>>.\*

Gigabyte g-Yo-Yo, announced 2006, [online], [retrieved on Feb. 20, 2007]. Retrieved from Internet ,<URL: <http://www.gsmarena.com>>.\*

\* cited by examiner

FIG. 1

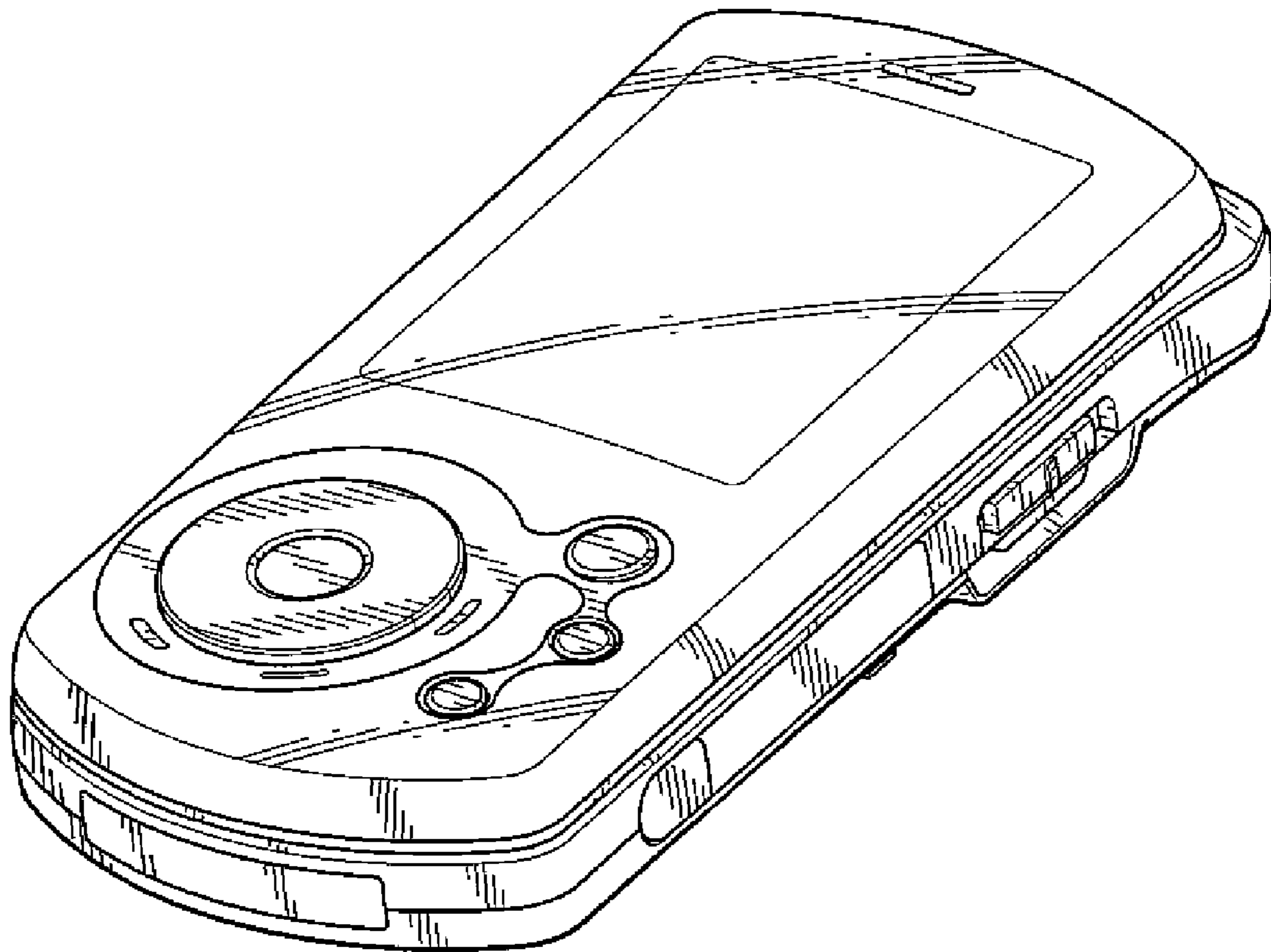


FIG. 2

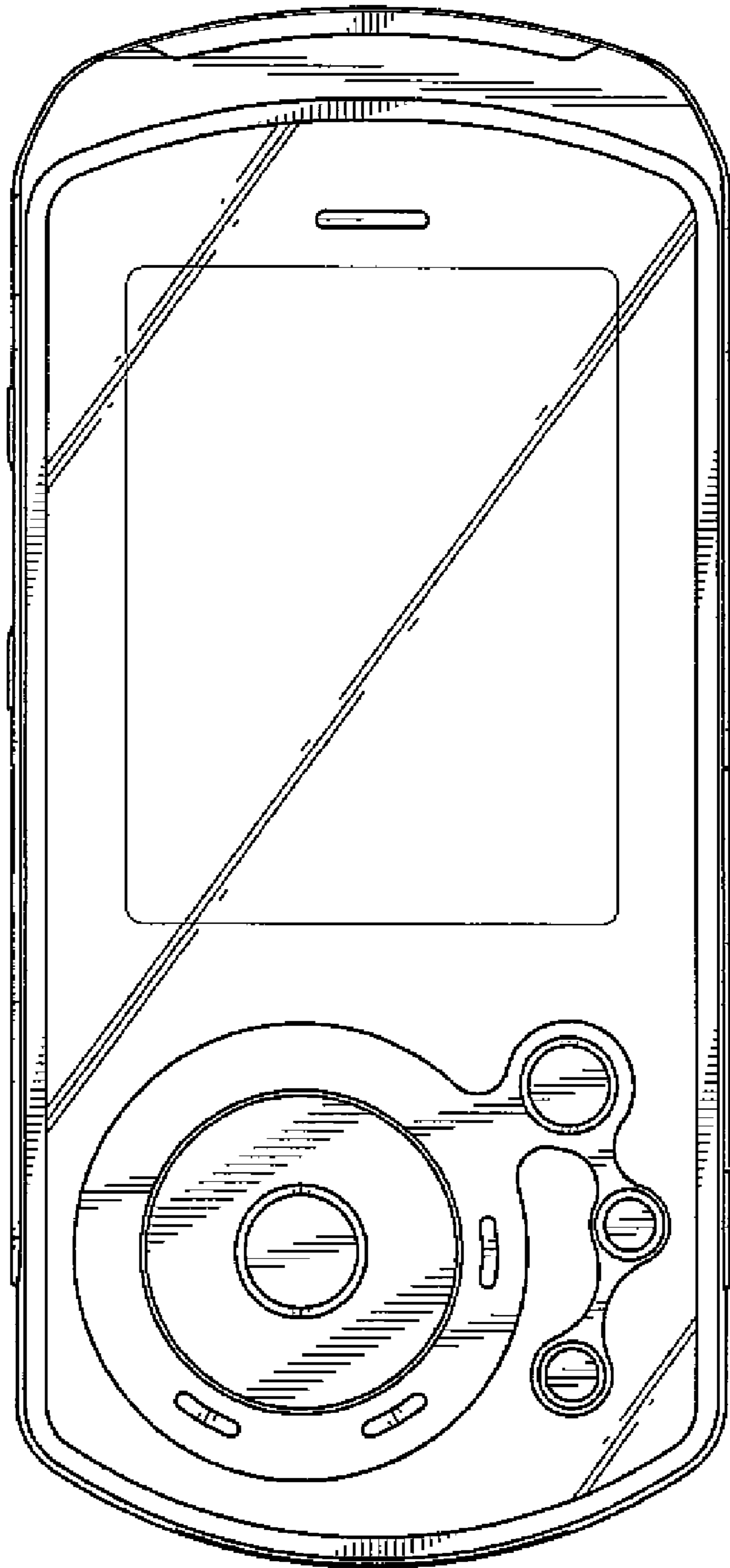


FIG. 3

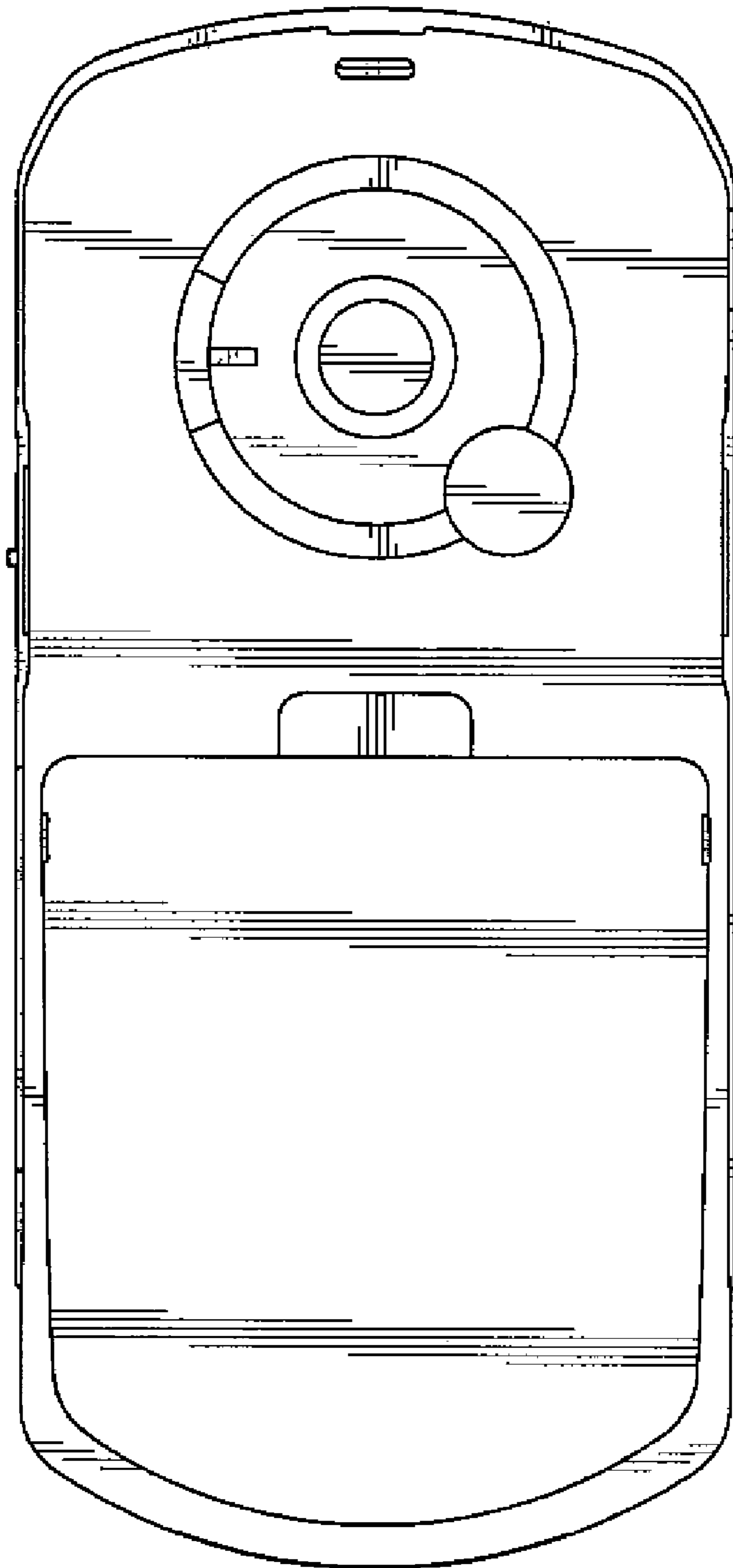


FIG. 4

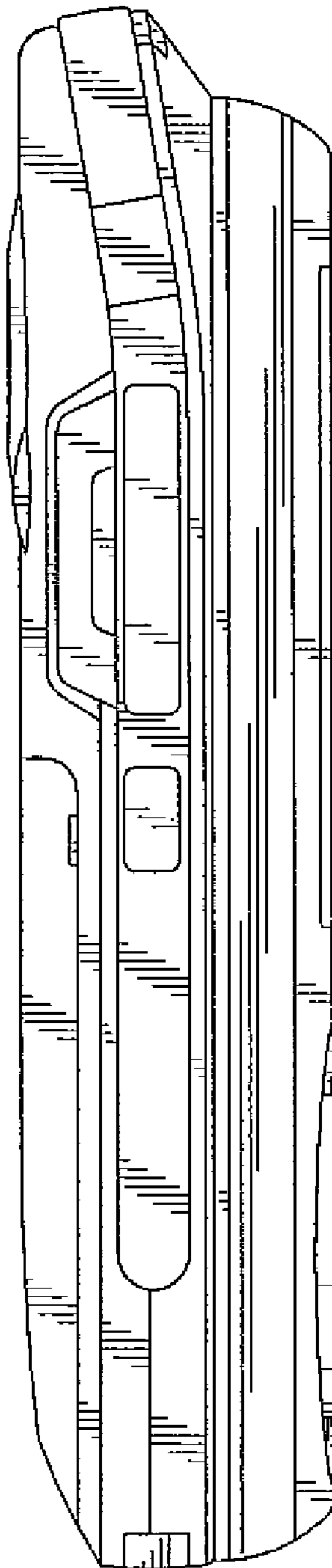


FIG. 5

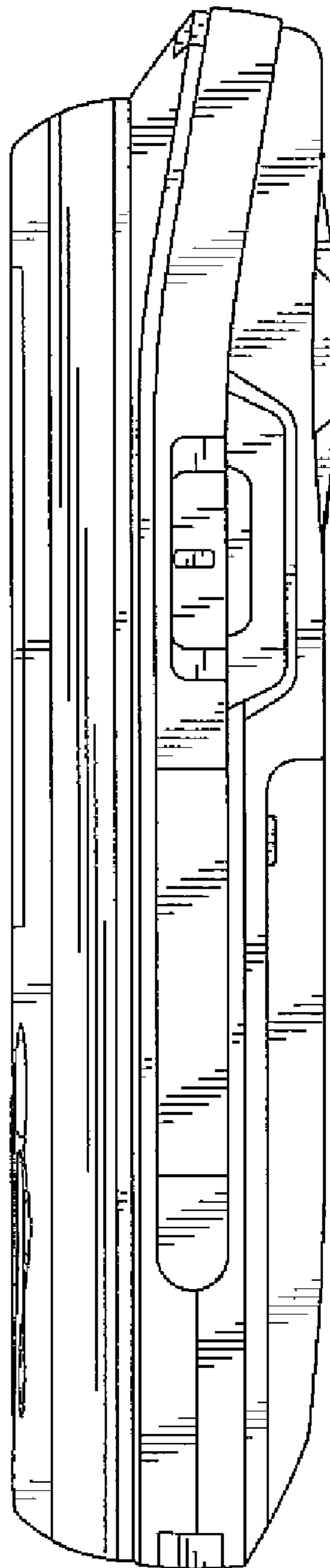




FIG. 6

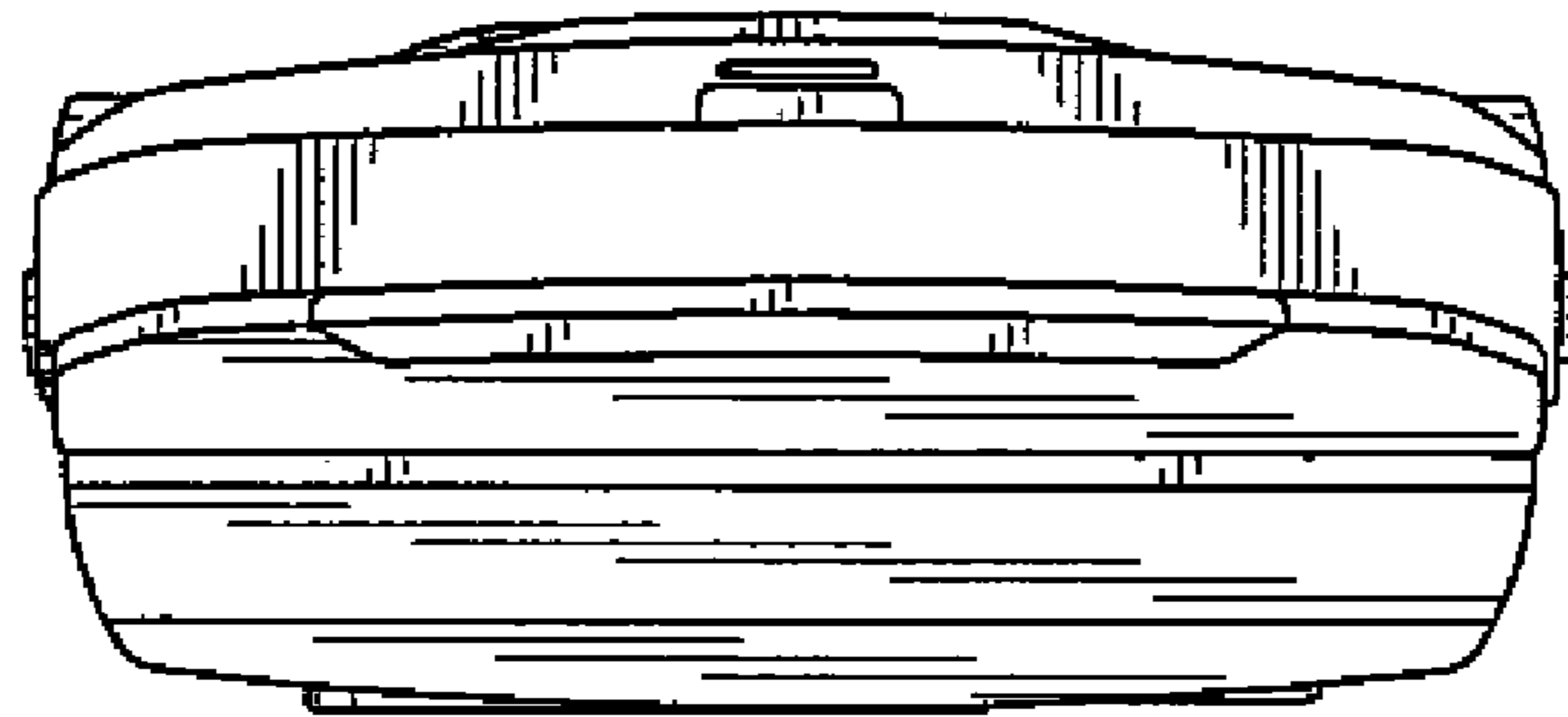


FIG. 7

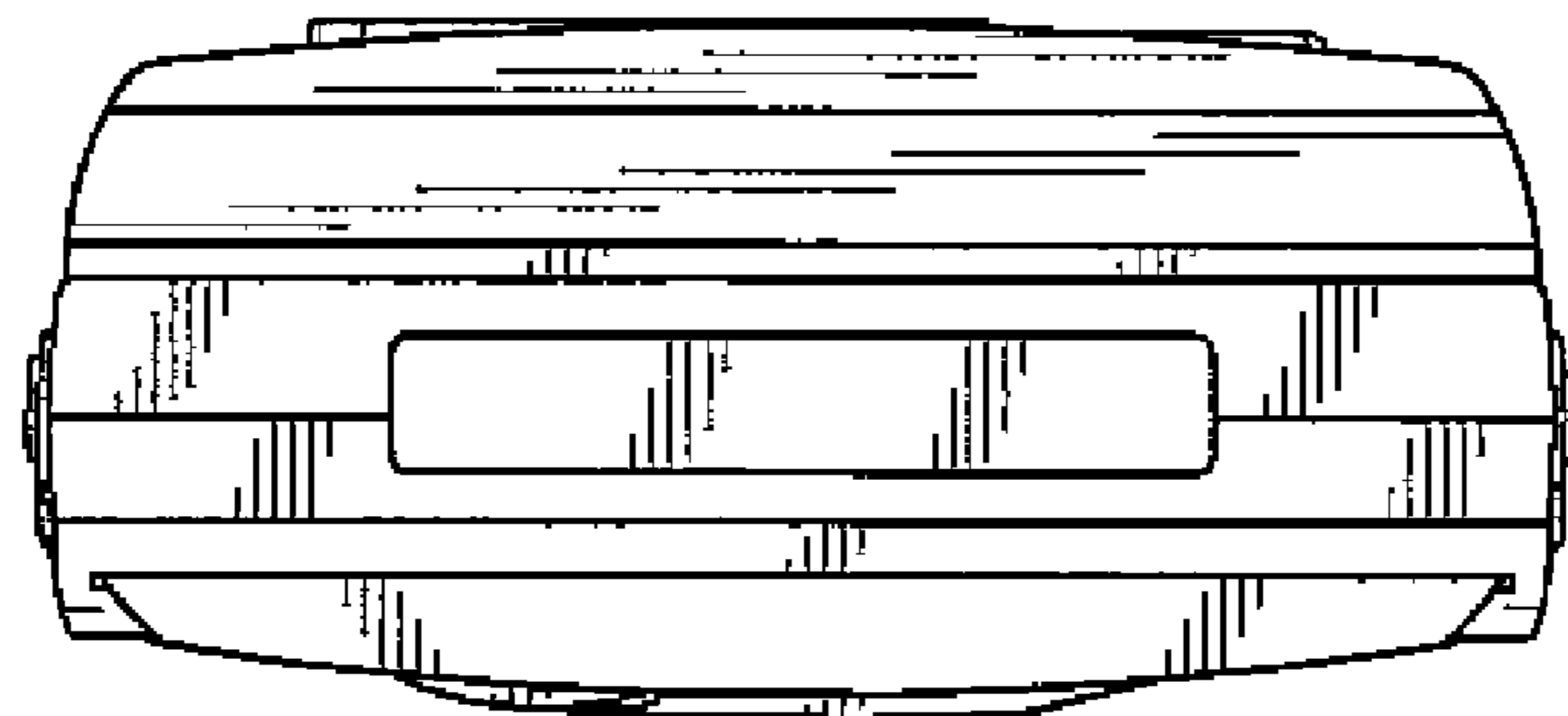




FIG. 8

