



US00D566670S

(12) **United States Design Patent**
Huang

(10) **Patent No.:** **US D566,670 S**

(45) **Date of Patent:** **** Apr. 15, 2008**

(54) **CLAMSHELL-STYLE MOBILE PHONE**

2007/0026909 A1* 2/2007 Jung et al. 455/575.3

(75) Inventor: **Kuo-Chin Huang**, Tao-Yuan (TW)

OTHER PUBLICATIONS

(73) Assignee: **High Tech Computer Corp.**, Taoyuan,
Taoyuan County (TW)

“Microsoft Goes Thin with i-mate’s SmartFlip”, Gallery by Michael Oryl (editor) on Tuesday Feb. 14, 2006, 7pp provided, [online], [retrieved on Jun. 8, 2007]. Retrieved from Internet ,<URL: http://www.mobilebum.com>.*

(**) Term: **14 Years**

(Continued)

(21) Appl. No.: **29/246,462**

Primary Examiner—Jeffrey Asch

(22) Filed: **Apr. 14, 2006**

(74) *Attorney, Agent, or Firm*—Winston Hsu

(51) **LOC (8) Cl.** **14-03**

(57) **CLAIM**

(52) **U.S. Cl.** **D14/138**

The ornamental design for a clamshell-style mobile phone, as shown and described.

(58) **Field of Classification Search** D14/496,
D14/138, 341–347; 455/575.3, 575.1; D21/517
See application file for complete search history.

DESCRIPTION

(56) **References Cited**

FIG. 1 is a front view of a clamshell-style mobile phone, in accordance with the new design;

U.S. PATENT DOCUMENTS

FIG. 2 is a rear view thereof;

D352,503 S * 11/1994 Nagele D14/138

FIG. 3 is a left view thereof;

D408,030 S * 4/1999 Richards et al. D14/138

FIG. 4 is a right view thereof;

D433,016 S * 10/2000 Matsuda et al. D14/345

FIG. 5 is a top plan view thereof;

D455,135 S * 4/2002 Hyun D14/138

FIG. 6 is a bottom plan view thereof;

D490,792 S * 6/2004 Lee D14/138

FIG. 7 is a perspective view thereof;

D491,546 S * 6/2004 Tien et al. D14/138

FIG. 8 is a front view of the clamshell-style mobile phone at an open status;

D494,948 S * 8/2004 Cho D14/138

FIG. 9 is a rear view of the clamshell-style mobile phone at an open status;

D500,750 S * 1/2005 Arnholt et al. D14/138

FIG. 10 is a left view of the clamshell-style mobile phone at an open status;

D502,161 S * 2/2005 Kim et al. D14/138

FIG. 11 is a right view of the clamshell-style mobile phone at an open status; and

D505,125 S * 5/2005 Ahn et al. D14/138

FIG. 12 is a perspective view of the clamshell-style mobile phone at an open status; and,

D507,254 S * 7/2005 Chen D14/138

FIG. 13 is another perspective view of the clamshell-style mobile phone at an open status.

D511,509 S * 11/2005 Kim et al. D14/138

1 Claim, 13 Drawing Sheets

D513,742 S * 1/2006 Arnholt et al. D14/138

D518,808 S * 4/2006 Lee D14/138

D519,098 S * 4/2006 Han et al. D14/138

D519,481 S * 4/2006 Nara D14/138

D523,833 S * 6/2006 Koh et al. D14/138

D535,271 S * 1/2007 Liang D14/138

D536,689 S * 2/2007 Suzuki et al. D14/138

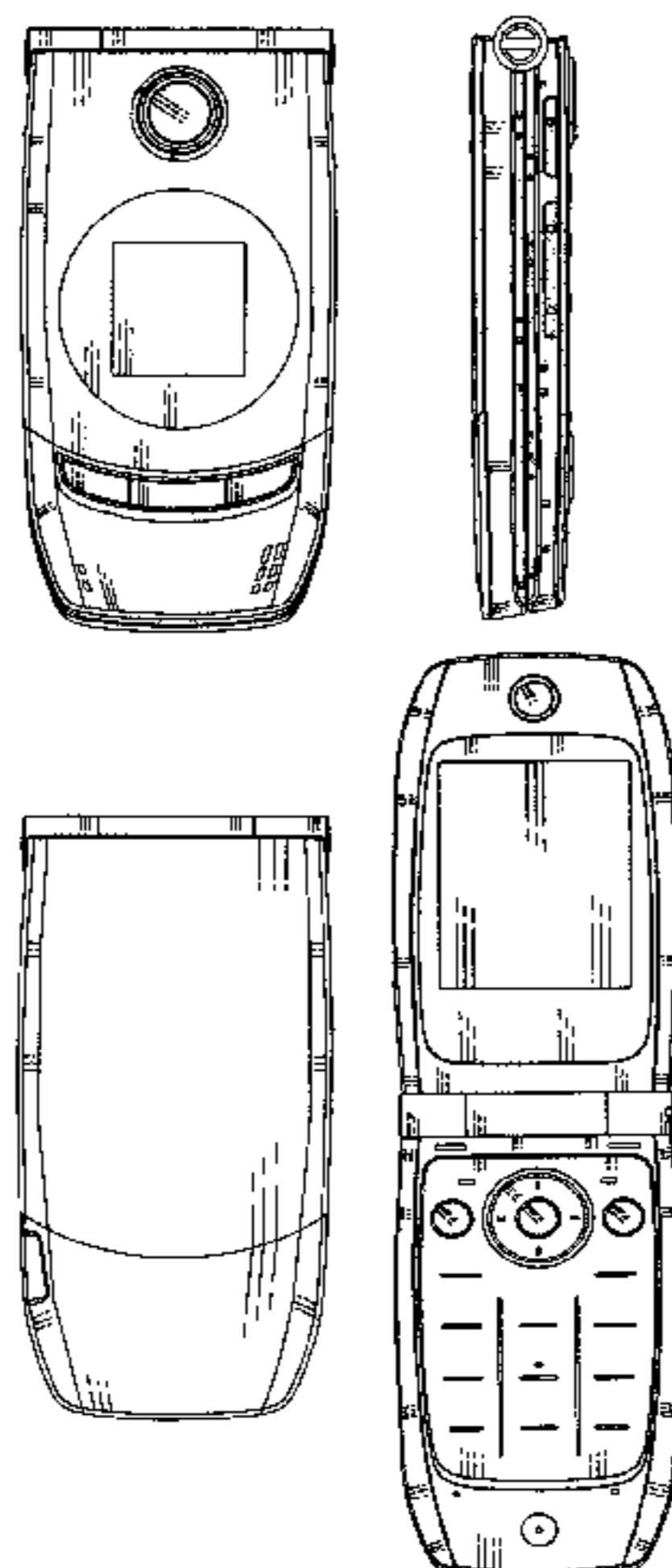
D537,063 S * 2/2007 Kim et al. D14/138

2001/0036845 A1* 11/2001 Park 455/566

2003/0125079 A1* 7/2003 Park et al. 455/556

2004/0174430 A1* 9/2004 Sawahara et al. 348/14.02

2005/0113156 A1* 5/2005 Park et al. 455/575.4



OTHER PUBLICATIONS

i-mate Smartflip telephone, announced Feb. 2006, [online], [retrieved on Jun. 8, 2007]. Retrieved from Internet , <URL: <http://www.gsmarena.com>>.*

Qtek 8500 telephone, announced Feb. 2006, [online], [retrieved on Mar. 16, 2007]. Retrieved from Internet , <URL: <http://www.gsmarena.com>>.*

NEC 804N telephone, announced Apr. 2006, [online], [retrieved on Mar. 16, 2007]. Retrieved from Internet , <URL: <http://www.gsmarena.com>>.*

Samsung E790 telephone, announced Jan. 2007, [online], [retrieved on Mar. 16, 2007]. Retrieved from Internet , <URL: <http://www.gsmarena.com>>.*

Sewon SG-P100 telephone, announced 1st quarter 2004, [online], [retrieved on Mar. 19, 2007]. Retrieved from Internet , <URL: <http://www.gsmarena.com>>.*

* cited by examiner

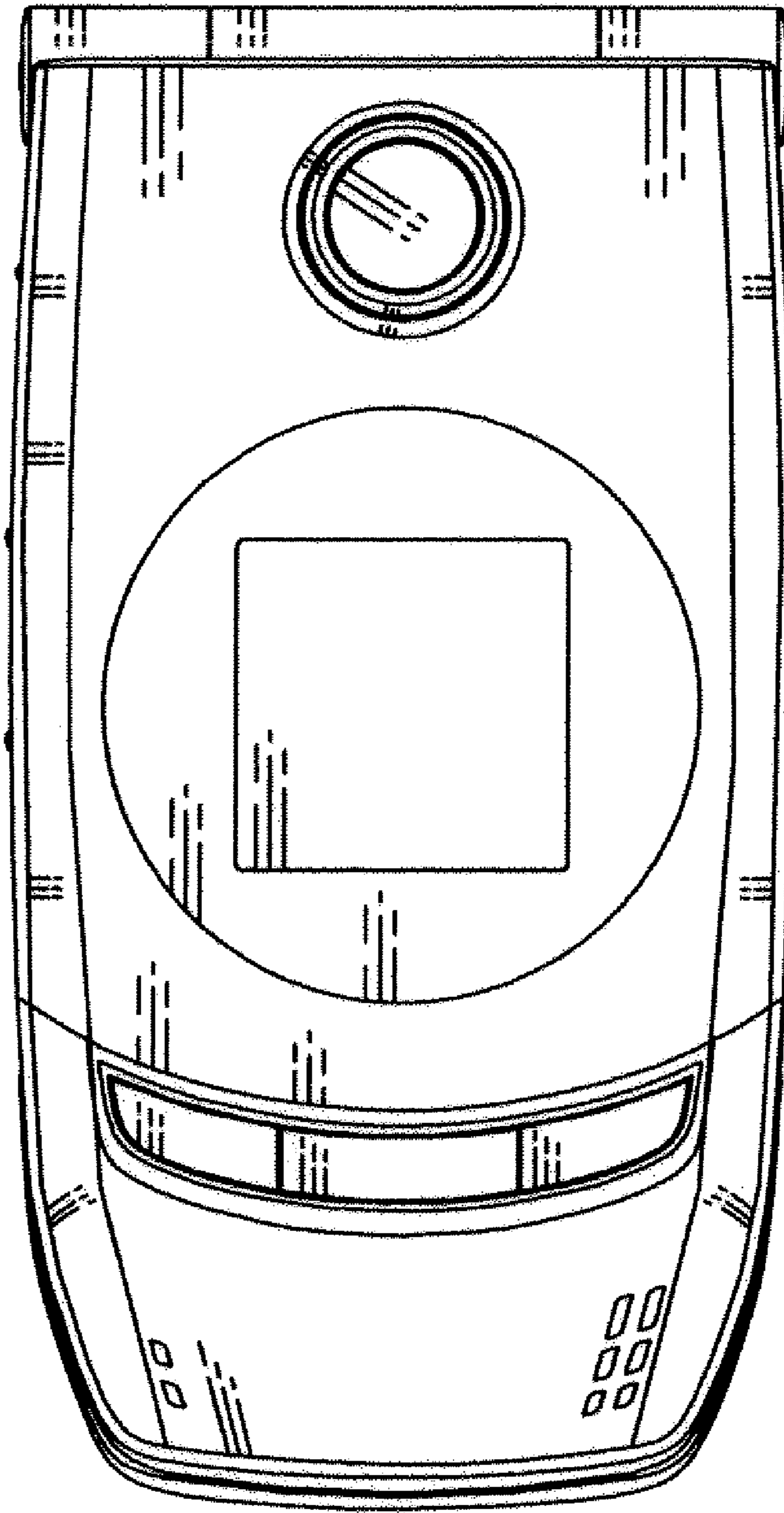


Fig. 1

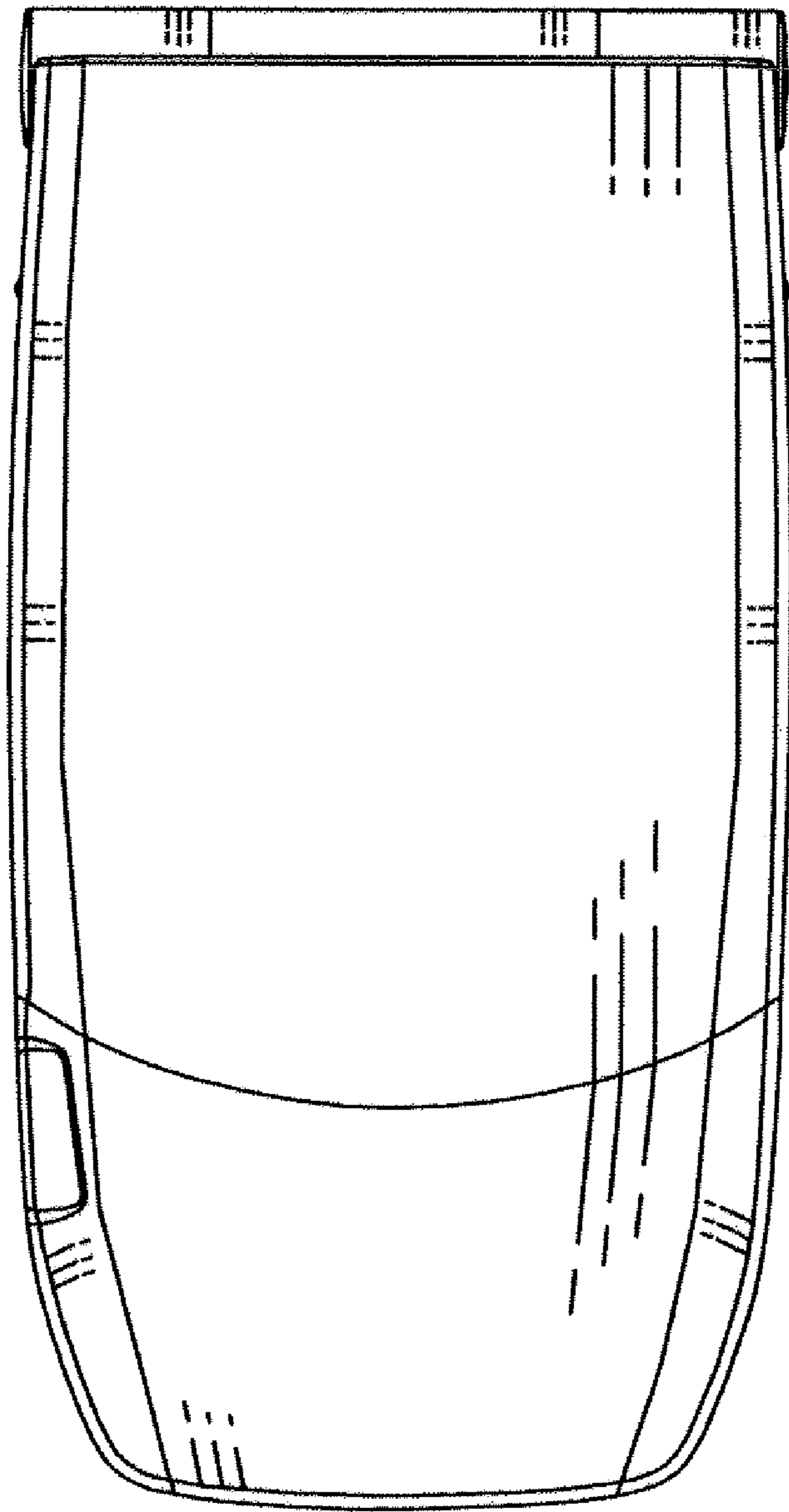


Fig. 2

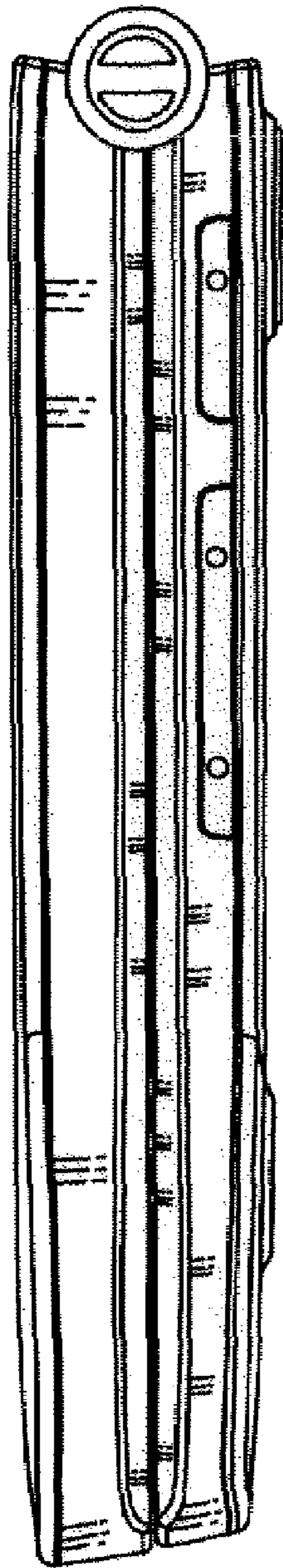


Fig. 3

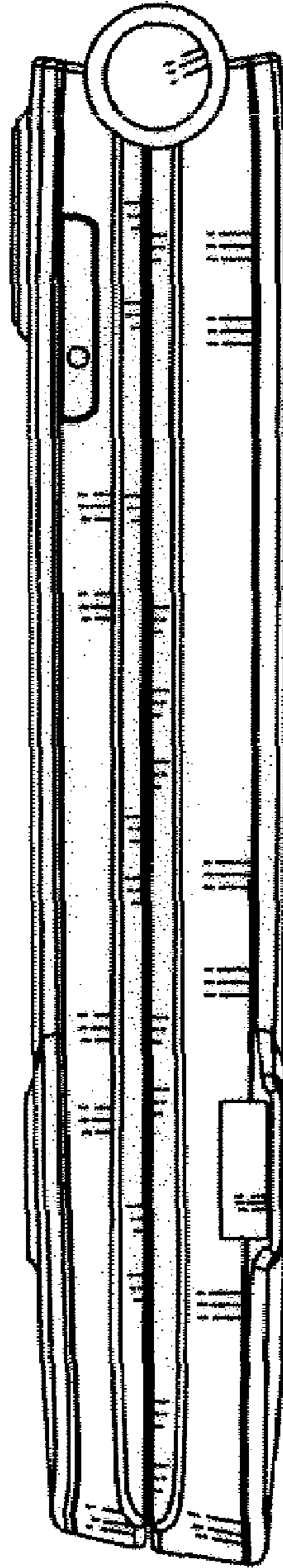


Fig. 4

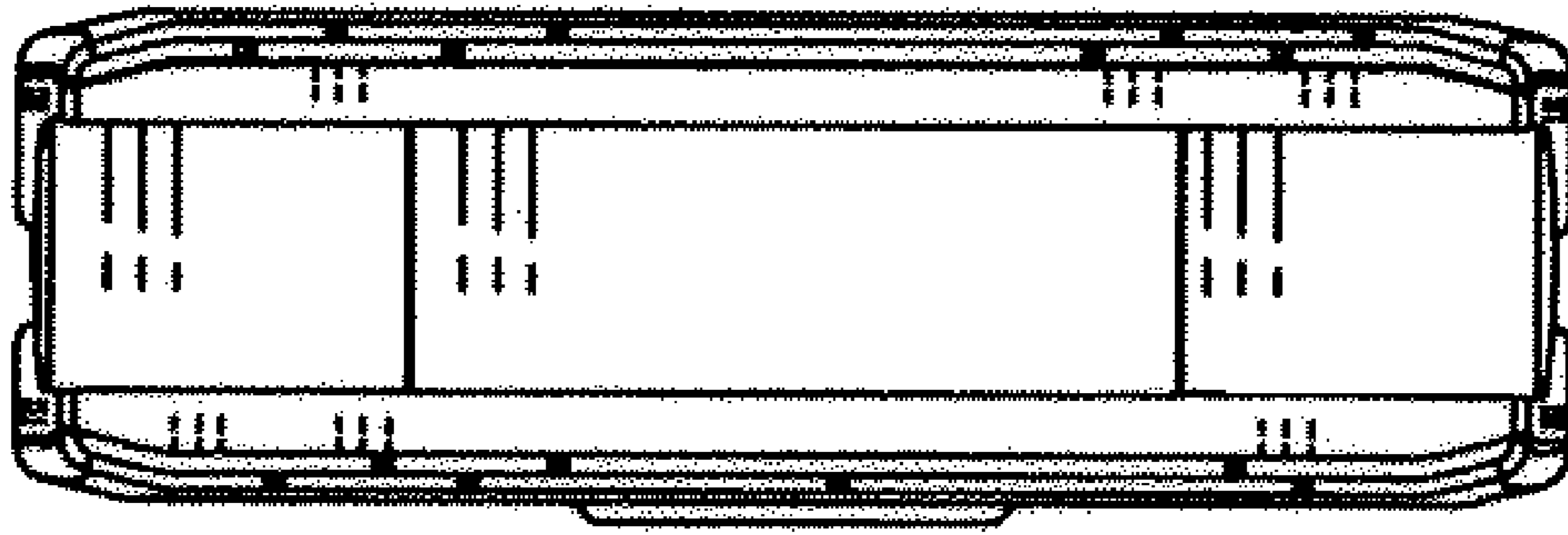


Fig. 5

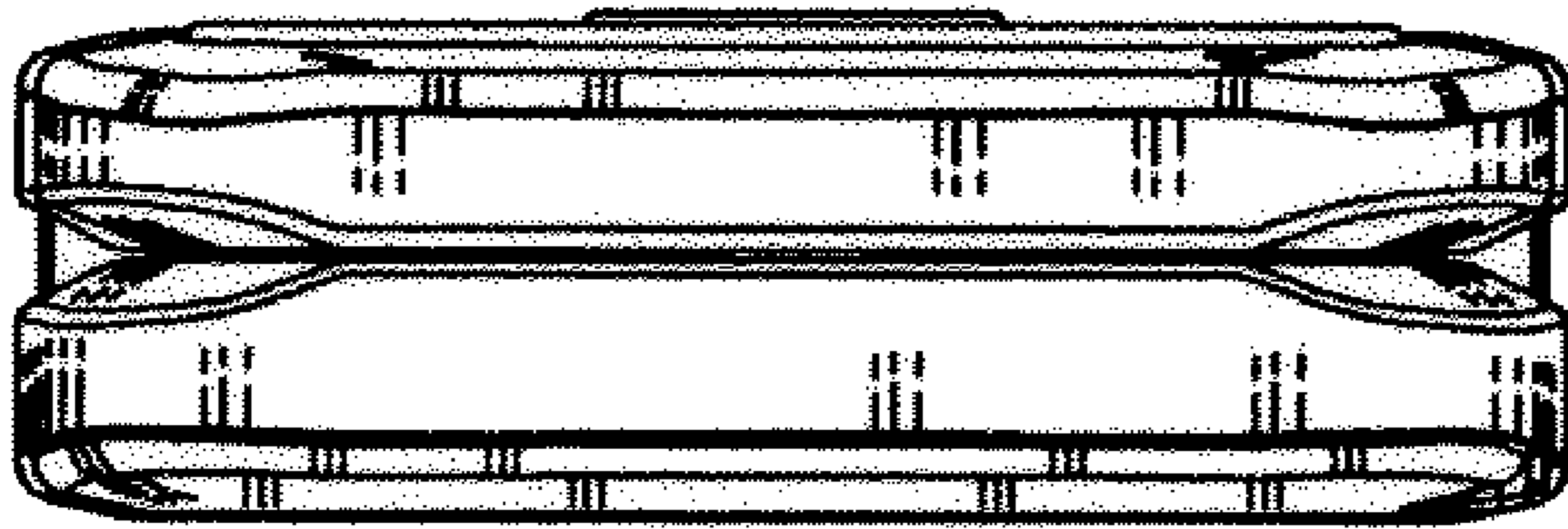


Fig. 6

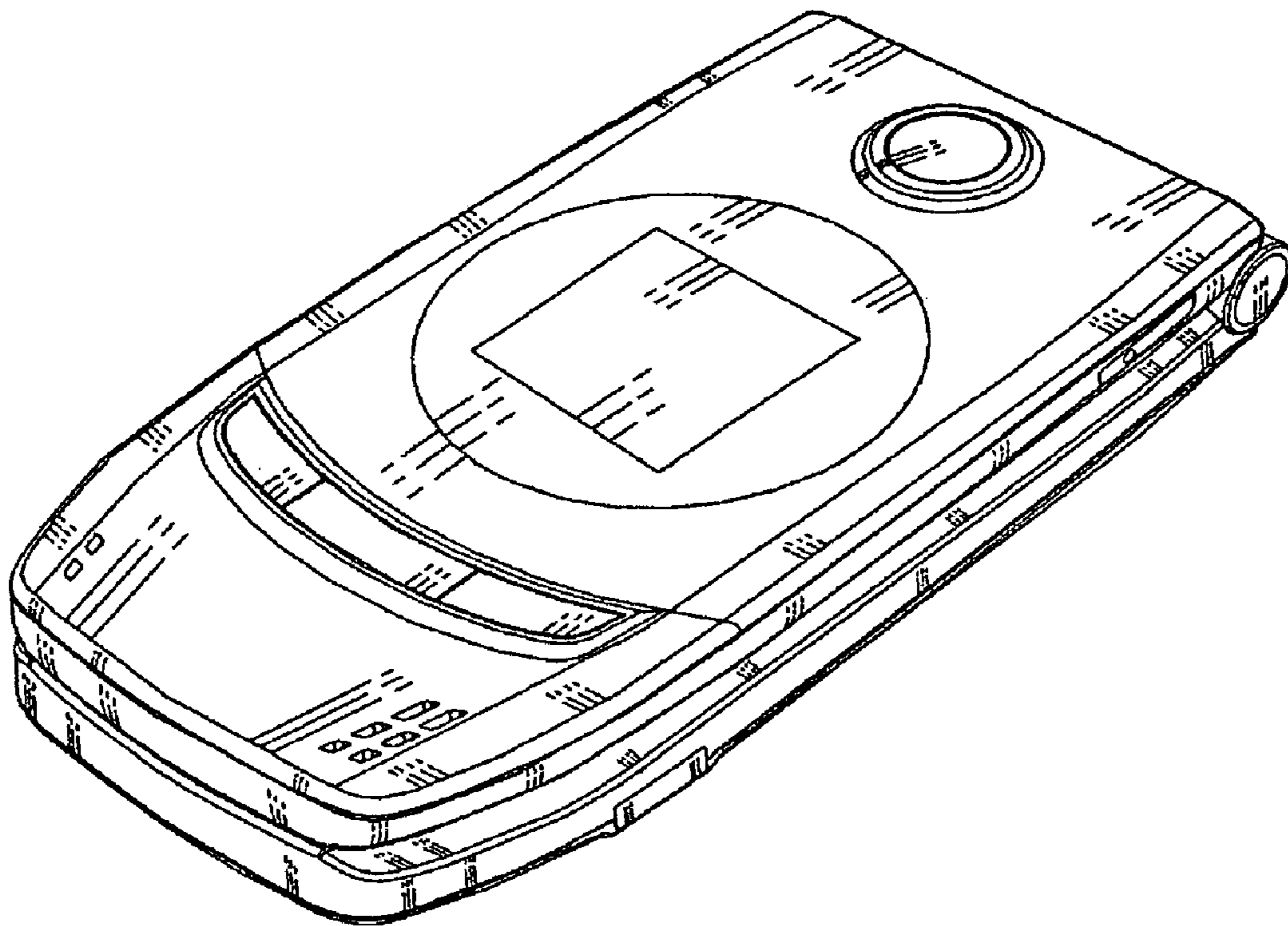


Fig. 7

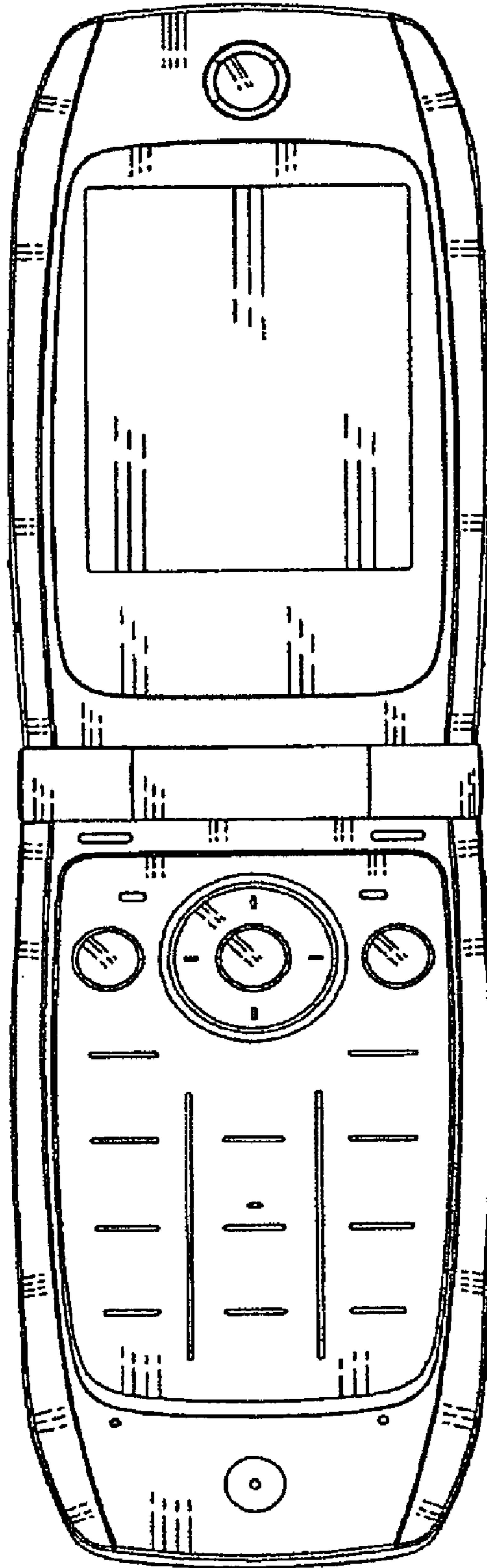


Fig. 8

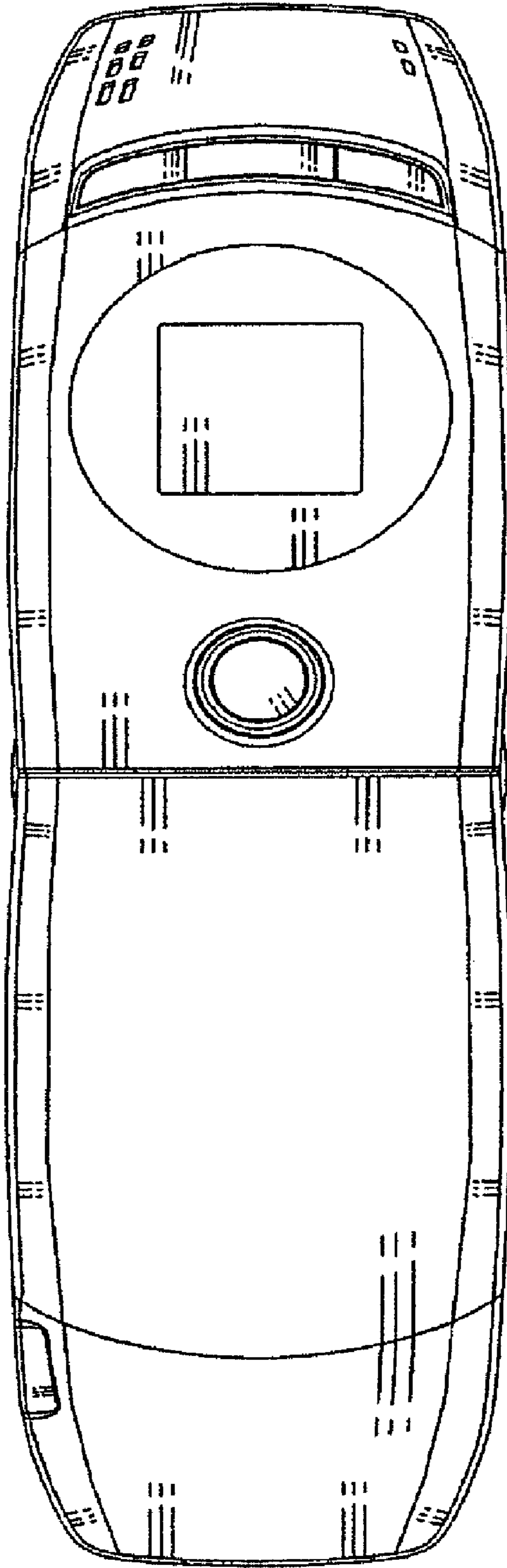


Fig. 9

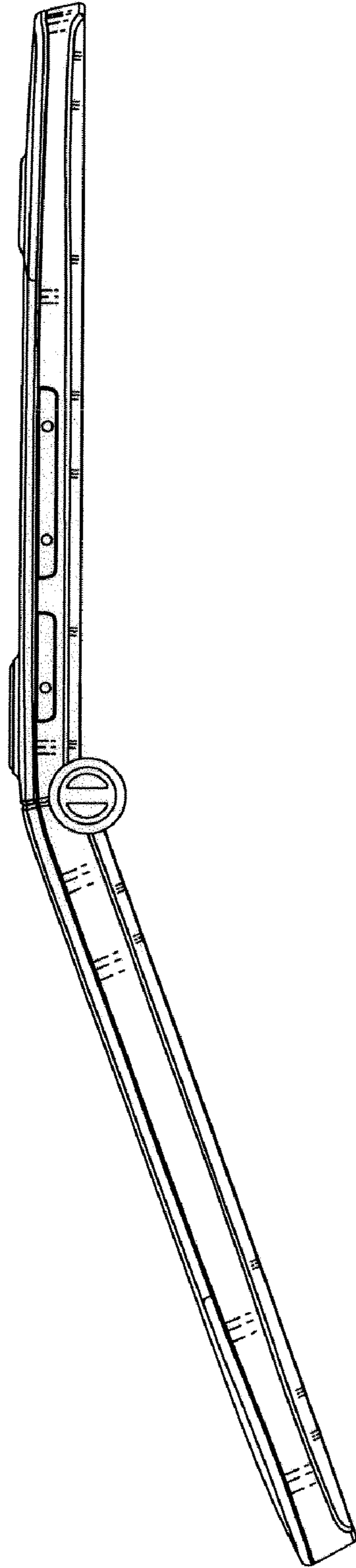


Fig. 10

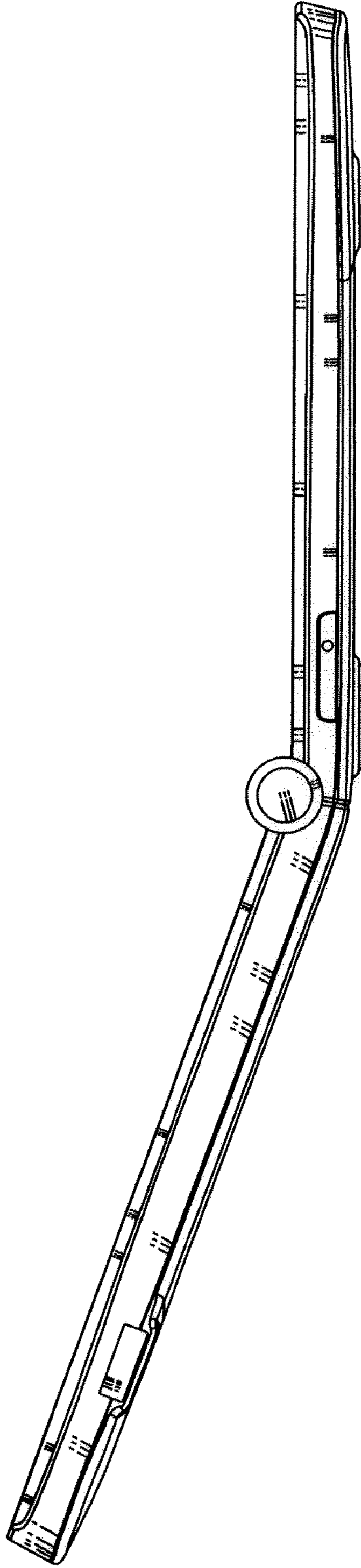


Fig. 11

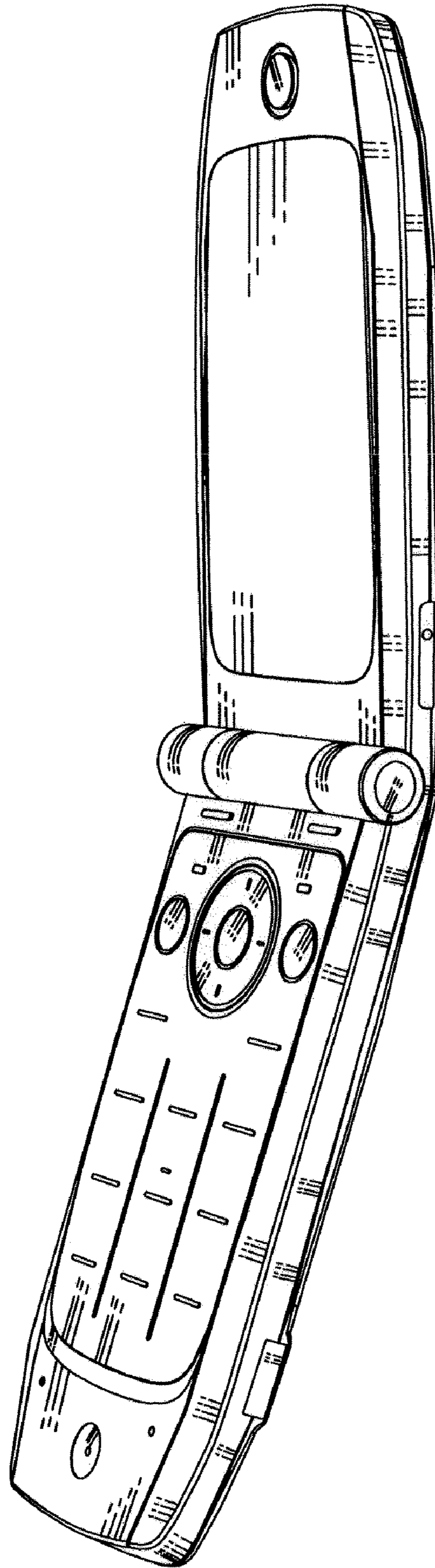


Fig. 12

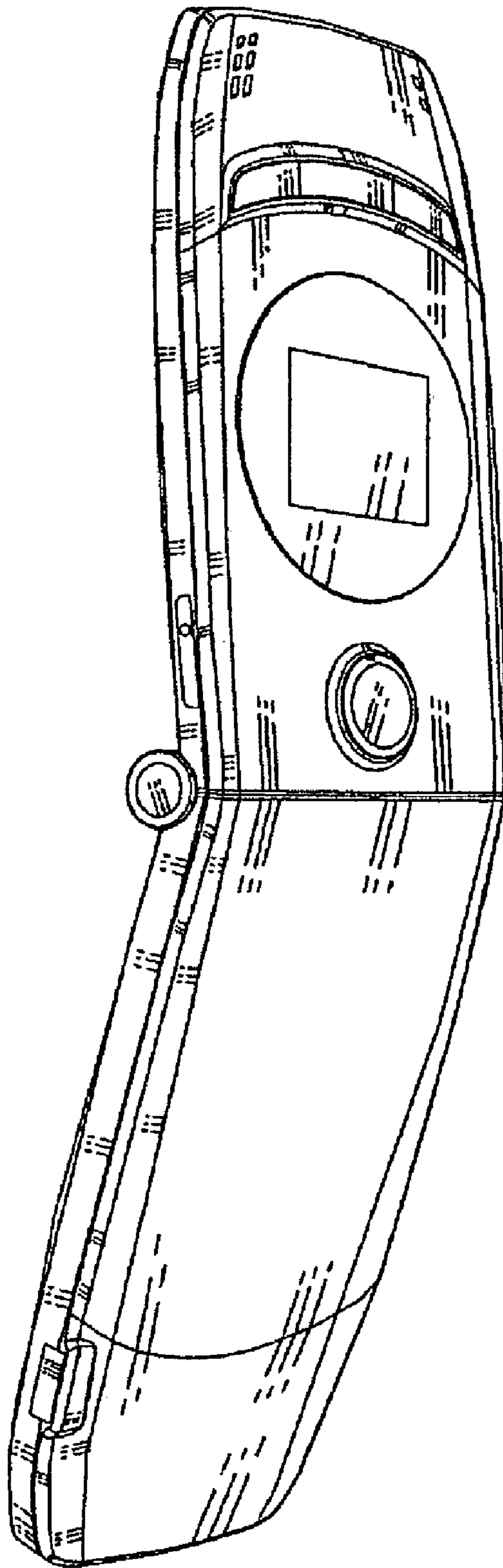


Fig. 13