



US00D56669S

(12) **United States Design Patent**  
**Ooshima et al.**

(10) **Patent No.:** **US D566,669 S**  
(45) **Date of Patent:** **\*\* Apr. 15, 2008**

(54) **TELEVISION SET**

(75) Inventors: **Jun Ooshima**, Tokyo (JP); **Masao Isshiki**, Kawasaki (JP); **Hideto Shimizu**, Yokohama (JP)

(73) Assignee: **Kabushiki Kaisha Toshiba** (JP)

(\*\*) Term: **14 Years**

(21) Appl. No.: **29/267,942**

(22) Filed: **Oct. 26, 2006**

(30) **Foreign Application Priority Data**

Sep. 11, 2006 (JP) ..... 2006-024174

(51) **LOC (8) Cl.** ..... **14-03**

(52) **U.S. Cl.** ..... **D14/126**

(58) **Field of Classification Search** ..... D14/125-134,  
D14/239, 371, 136, 374-377; 312/7.2; 348/836,  
348/838, 180, 184, 325, 739; 341/12; 248/917-924,  
248/465, 123.11; 345/104, 133, 156, 168,  
345/87, 173, 169; 349/1, 2, 11, 62; 720/605,  
720/669, 600, 655, 99, 197; 455/344-347;  
369/99, 197

See application file for complete search history.

(56) **References Cited**

**U.S. PATENT DOCUMENTS**

D416,875 S \* 11/1999 Chuo et al. .... D14/375  
D419,977 S \* 2/2000 Chuo ..... D14/126  
D457,864 S \* 5/2002 Bong et al. .... D14/126  
D471,549 S \* 3/2003 Tsuji ..... D14/375  
D497,352 S 10/2004 Asanuma et al.  
D503,158 S 3/2005 Asanuma et al.  
D510,730 S 10/2005 Asanuma et al.  
D528,116 S \* 9/2006 Won et al. .... D14/375

D529,881 S 10/2006 Honda  
D542,244 S \* 5/2007 Li et al. .... D14/126  
D543,163 S \* 5/2007 Yang et al. .... D14/126  
D545,778 S \* 7/2007 Isshiki ..... D14/126  
D545,820 S \* 7/2007 Won et al. .... D14/375  
D552,571 S \* 10/2007 Fujii et al. .... D14/126

**FOREIGN PATENT DOCUMENTS**

JP D1127085 11/2001  
JP D1176217 6/2003  
JP D1183276 8/2003  
JP D1215195 8/2004

**OTHER PUBLICATIONS**

B&H Summer 2004 Catalog, pp. 120-123, dated Jun. 2004.

\* cited by examiner

*Primary Examiner*—Raphael Barkai

*Assistant Examiner*—Randall H Gholson

(74) *Attorney, Agent, or Firm*—Banner & Witcoff, Ltd.

(57) **CLAIM**

The ornamental design for a television set, as shown and described.

**DESCRIPTION**

FIG. 1 is a front, top and right side perspective view of a television set, showing our new design;

FIG. 2 is a front elevational view thereof;

FIG. 3 is a rear elevational view thereof;

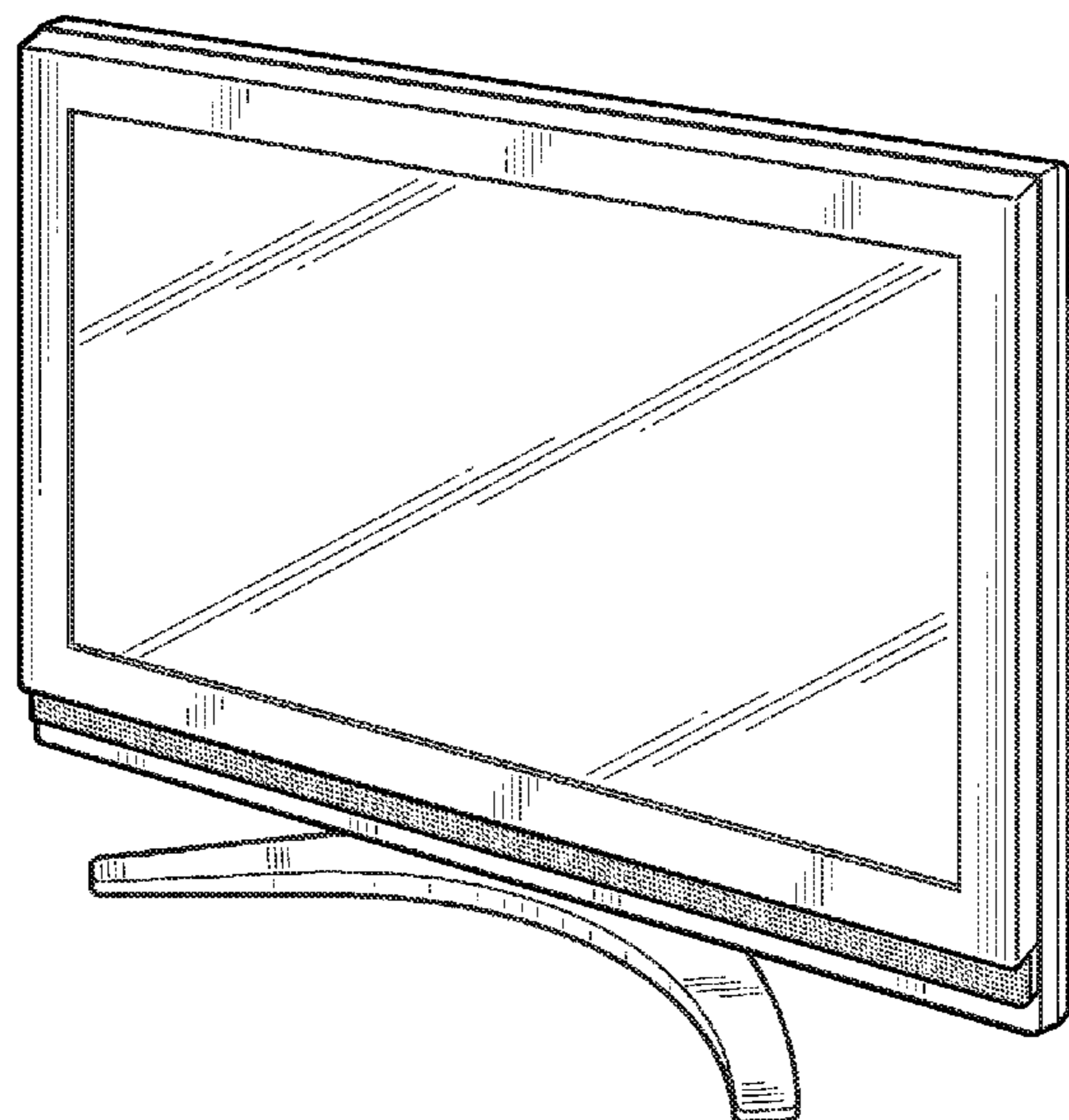
FIG. 4 is a top plan view thereof;

FIG. 5 is a bottom plan view thereof;

FIG. 6 is a left side elevational view thereof; and,

FIG. 7 is a right side elevational view thereof.

**1 Claim, 5 Drawing Sheets**



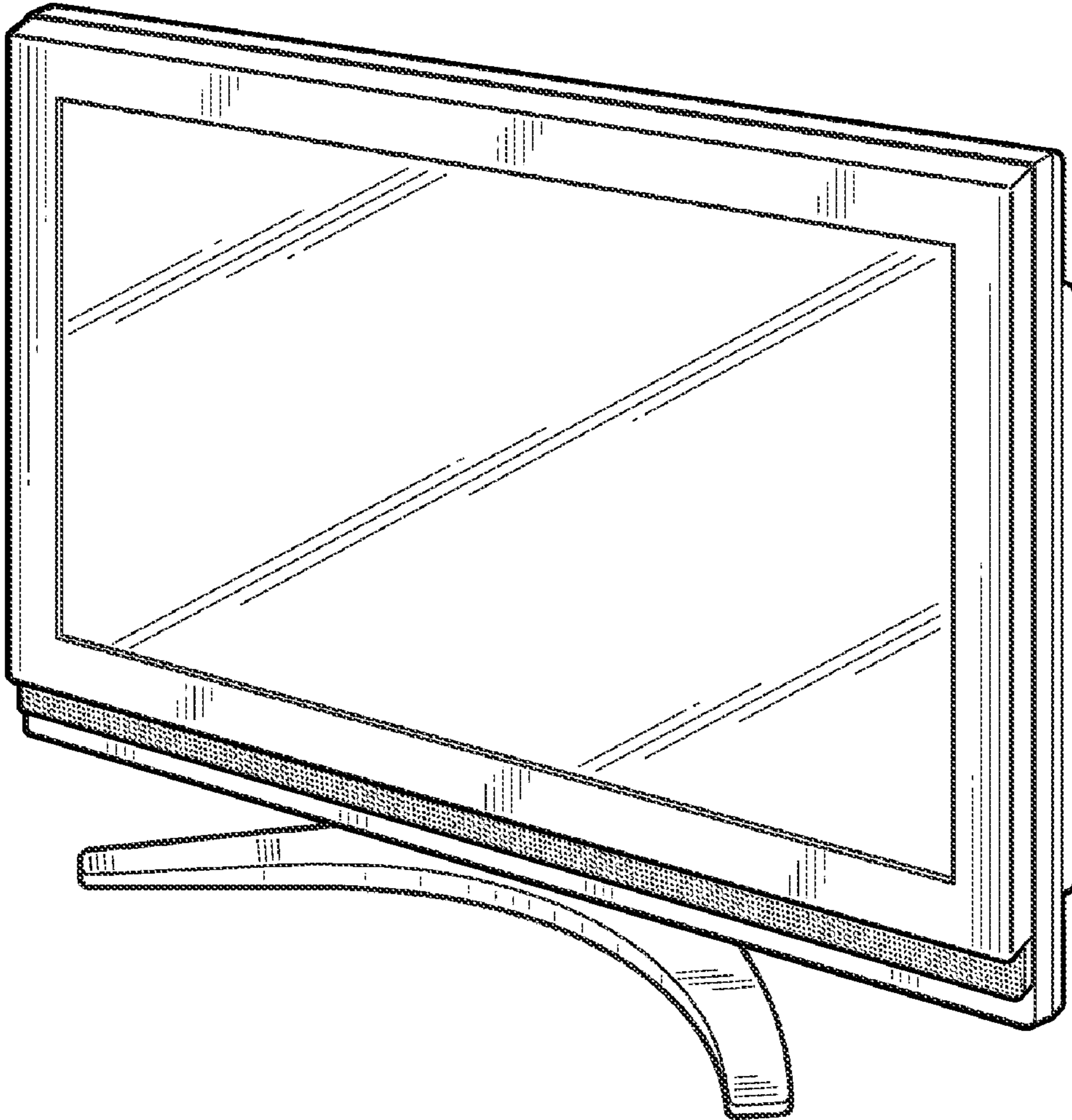


FIG.1

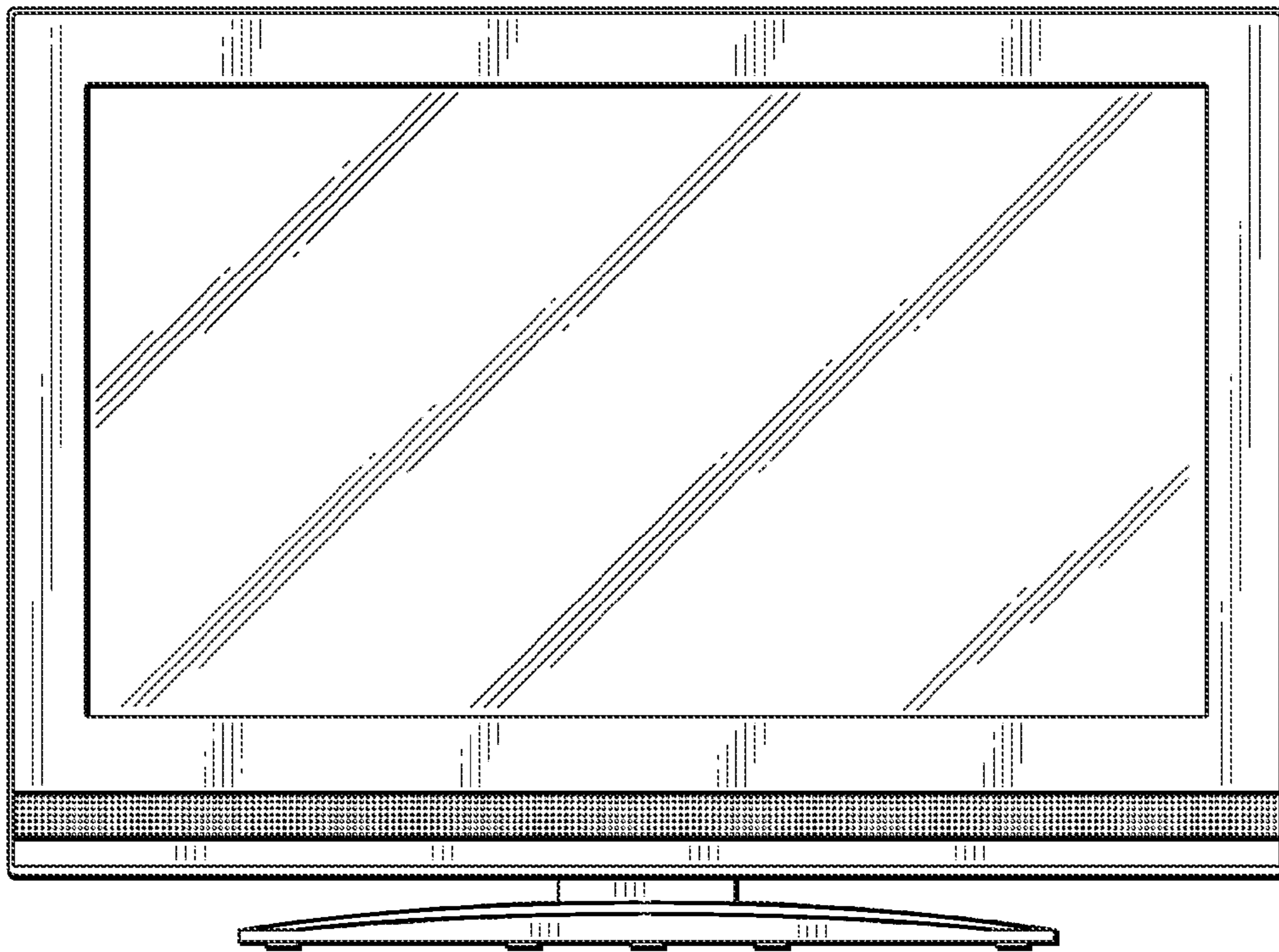


FIG. 2

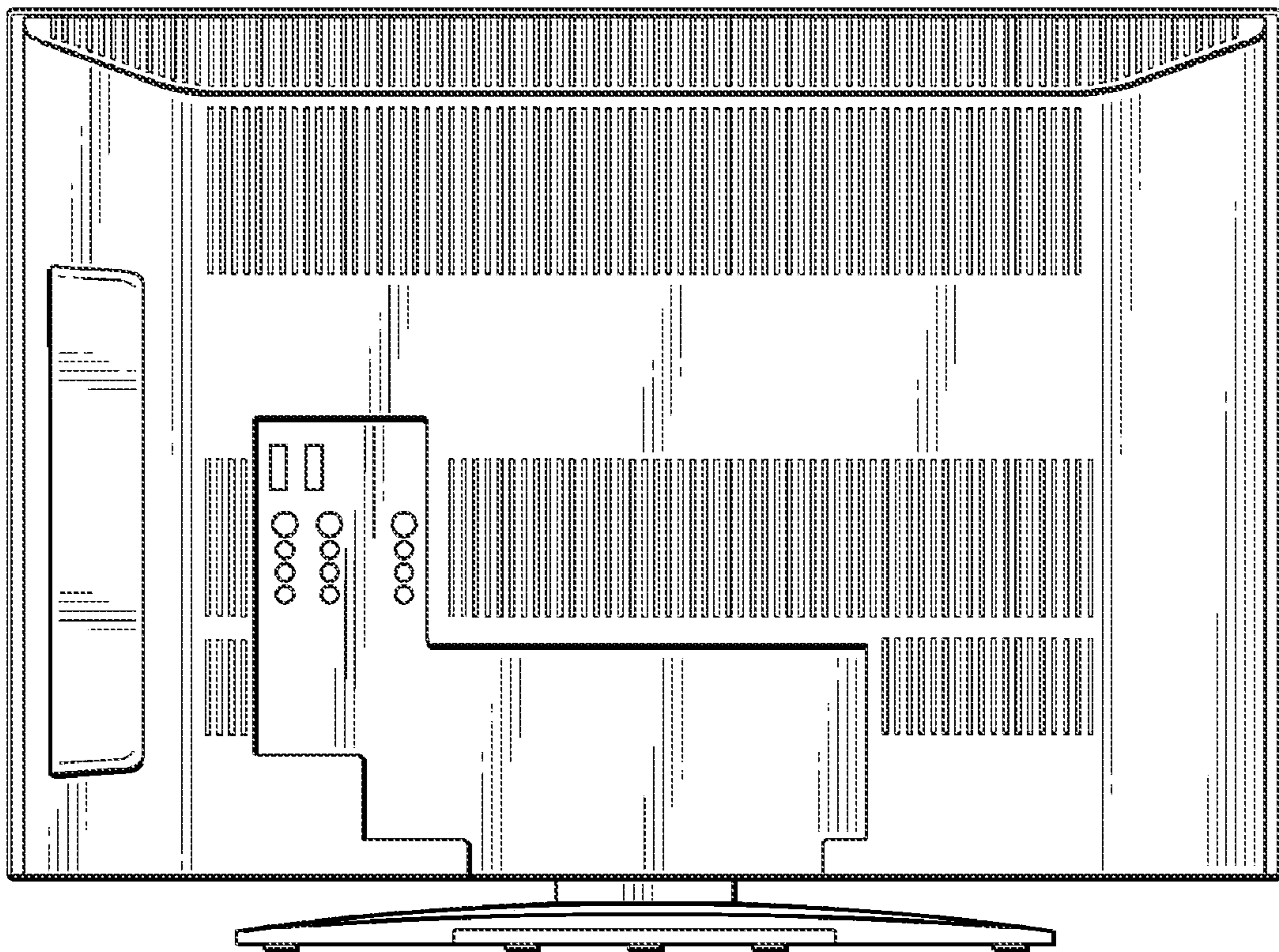


FIG. 3

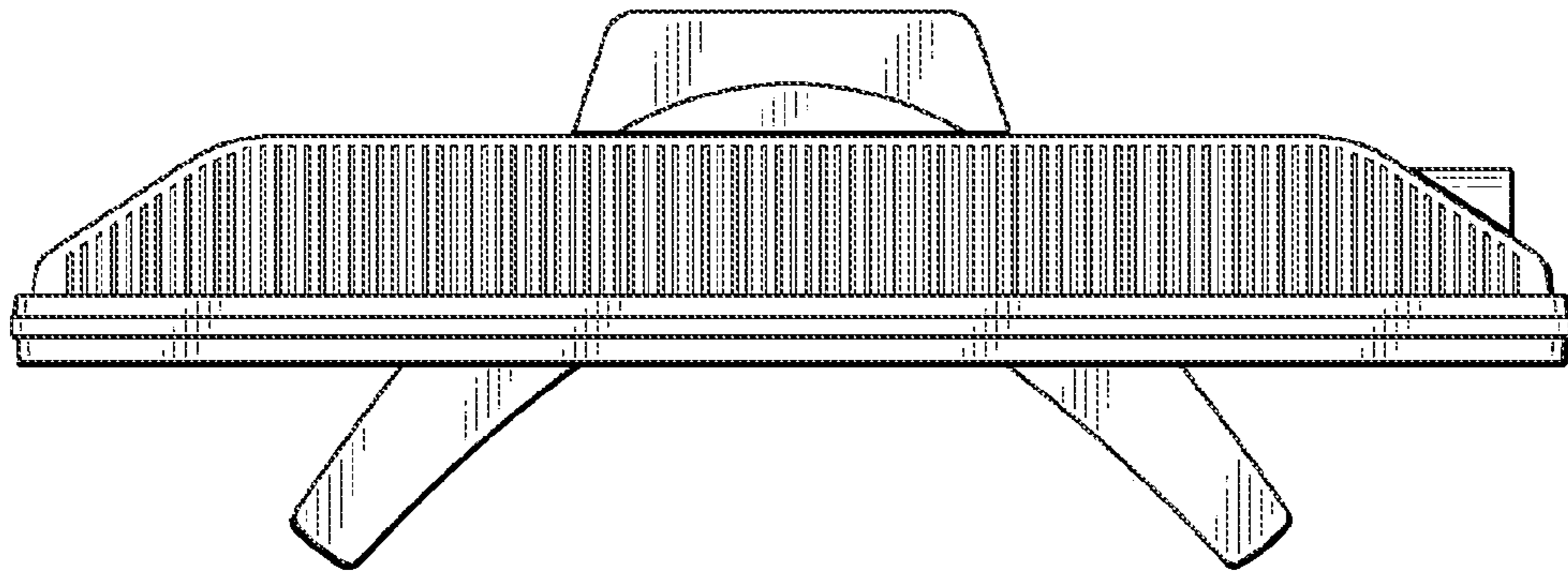


FIG. 4

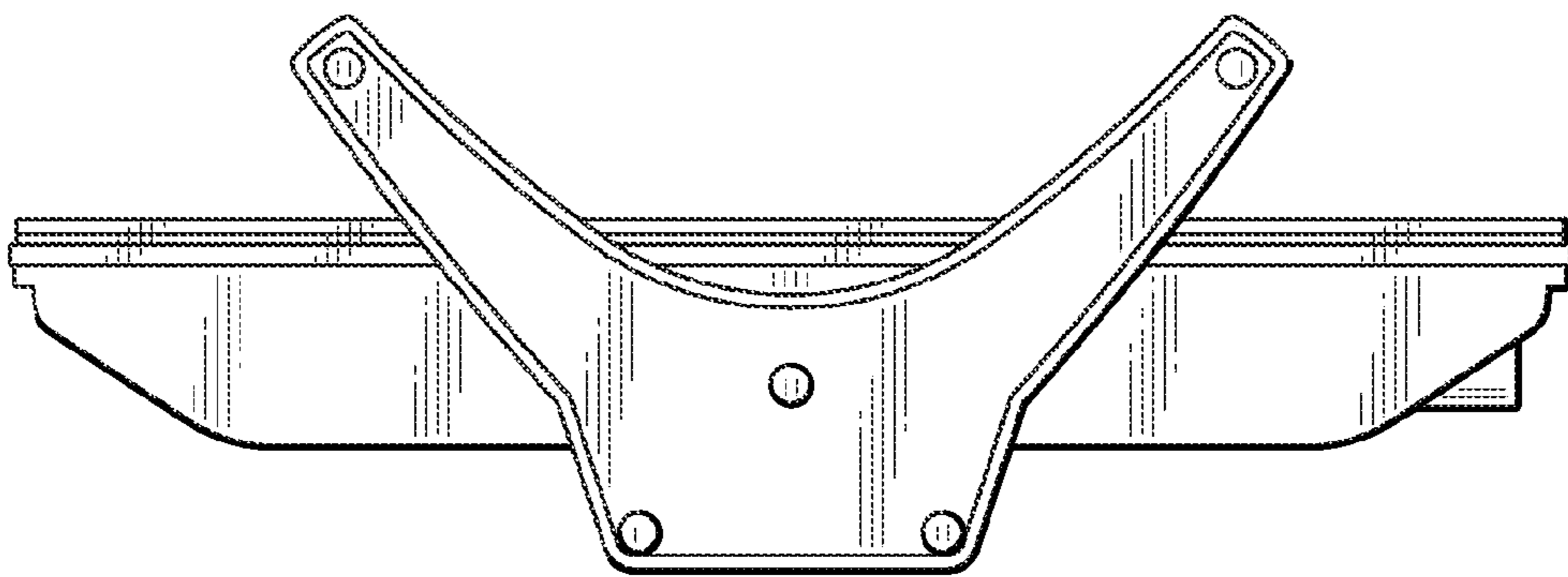


FIG. 5

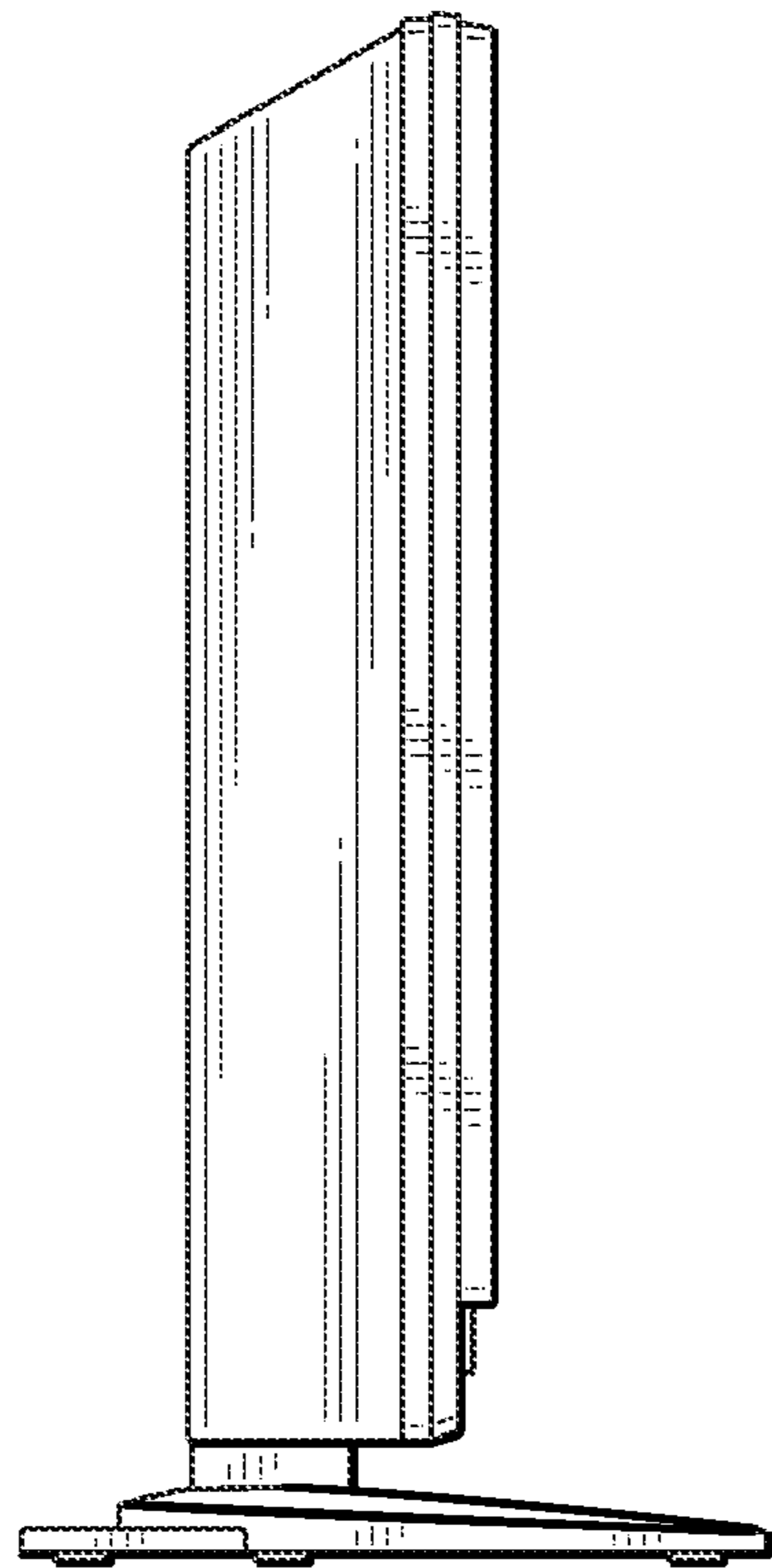


FIG. 6

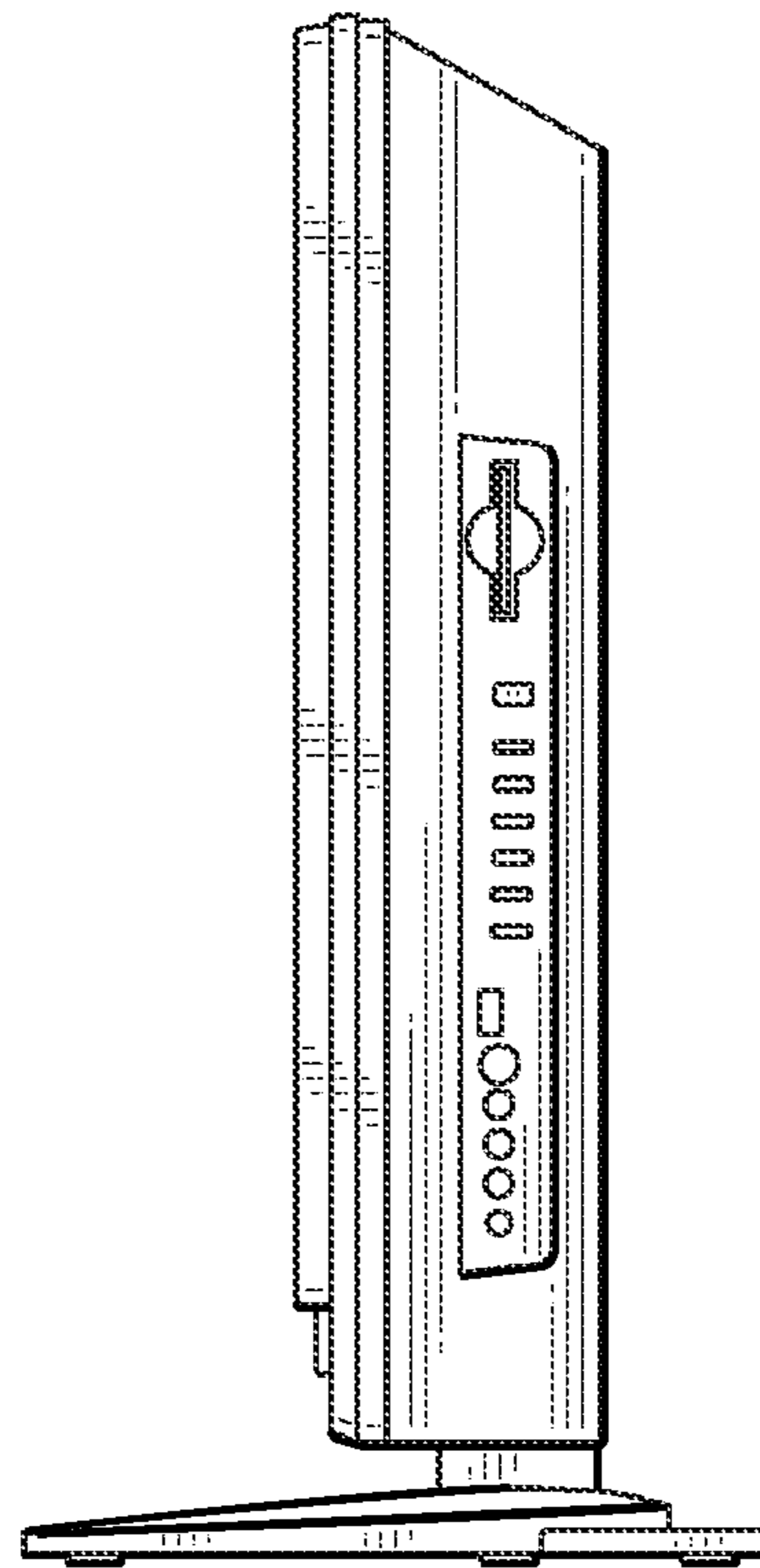


FIG. 7