



US00D56666S

(12) **United States Design Patent**
Tiedemann

(10) **Patent No.:** **US D566,666 S**

(45) **Date of Patent:** **** Apr. 15, 2008**

(54) **POWER SWITCHING DEVICE MOUNTING ADAPTER**

(75) **Inventor:** **Larry E. Tiedemann**, Winona, MN (US)

(73) **Assignee:** **Watlow Electric Manufacturing Company**, St. Louis, MO (US)

(**) **Term:** **14 Years**

(21) **Appl. No.:** **29/286,278**

(22) **Filed:** **Apr. 30, 2007**

(51) **LOC (8) Cl.** **13-99**

(52) **U.S. Cl.** **D13/184**

(58) **Field of Classification Search** D13/184, D13/158, 160, 162, 162.1, 135, 137.2, 137.1, D13/137.3, 139.6, 156, 159, 177, 199, 110, D13/439, 173; 439/188; 361/299.3, 600, 361/767, 808, 719

See application file for complete search history.

(56) **References Cited**

U.S. PATENT DOCUMENTS

D463,362 S *	9/2002	Alcantar et al.	D13/110
7,200,011 B2 *	4/2007	Fronk	361/810
7,286,340 B2 *	10/2007	Karim et al.	361/647
2004/0130876 A1 *	7/2004	Davison	361/719
2006/0061972 A1 *	3/2006	Vetter et al.	361/719

2006/0181859 A1 *	8/2006	Thorum	361/719
2006/0249507 A1 *	11/2006	Bohlinger et al.	219/486
2007/0149023 A1 *	6/2007	Hsieh et al.	439/188
2007/0173092 A1 *	7/2007	Von Arx et al.	439/188

* cited by examiner

Primary Examiner—Joel A. Sincavage

Assistant Examiner—Anna K Dworzecka

(74) *Attorney, Agent, or Firm*—Brinks Hofer Gilson & Lione

(57) **CLAIM**

The ornamental design for a power switching device mounting adapter, as shown and described.

DESCRIPTION

FIG. 1 is a top perspective view of the power switching device mounting adapter;

FIG. 2 is a bottom perspective view thereof;

FIG. 3 is a front view thereof;

FIG. 4 is a rear view thereof;

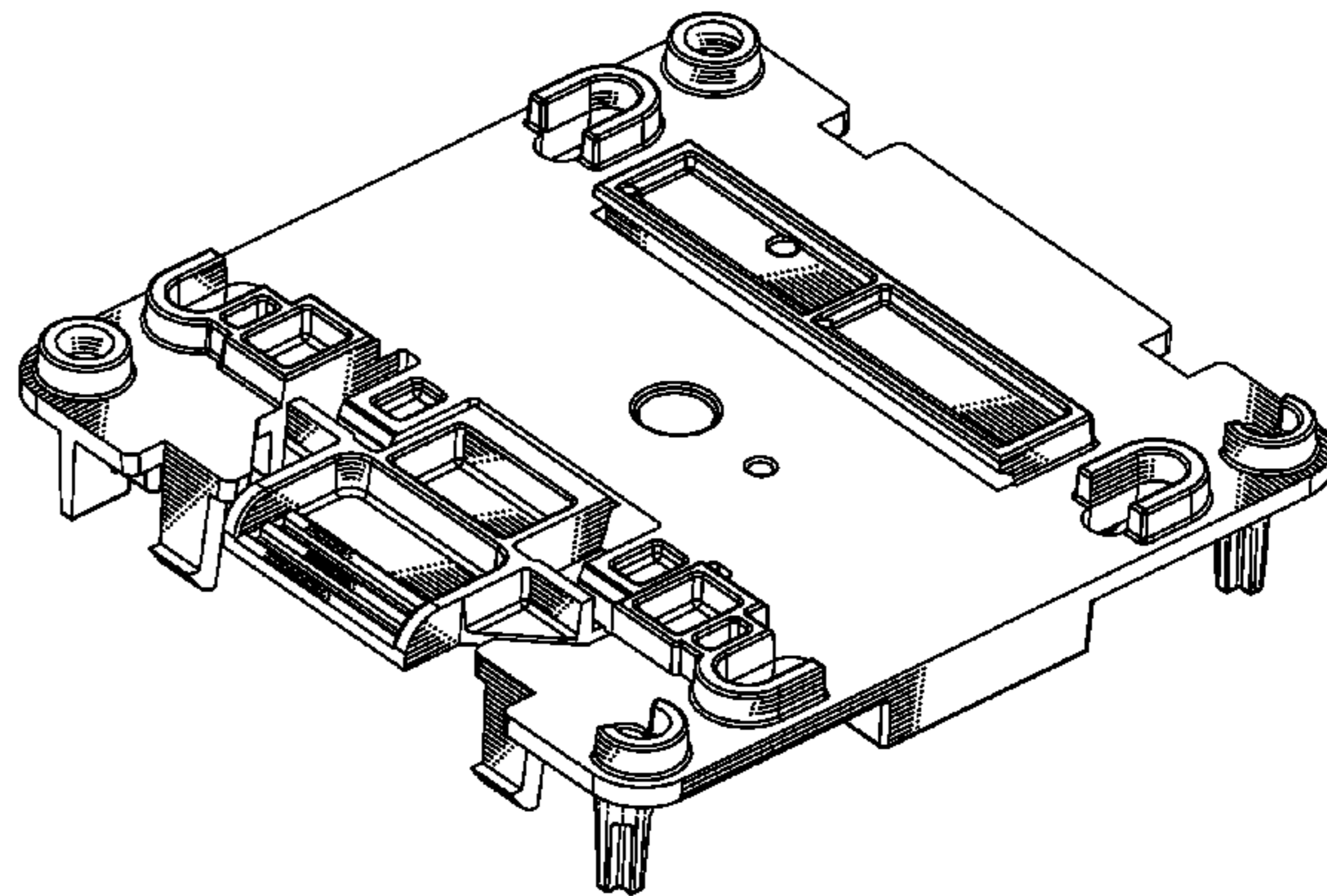
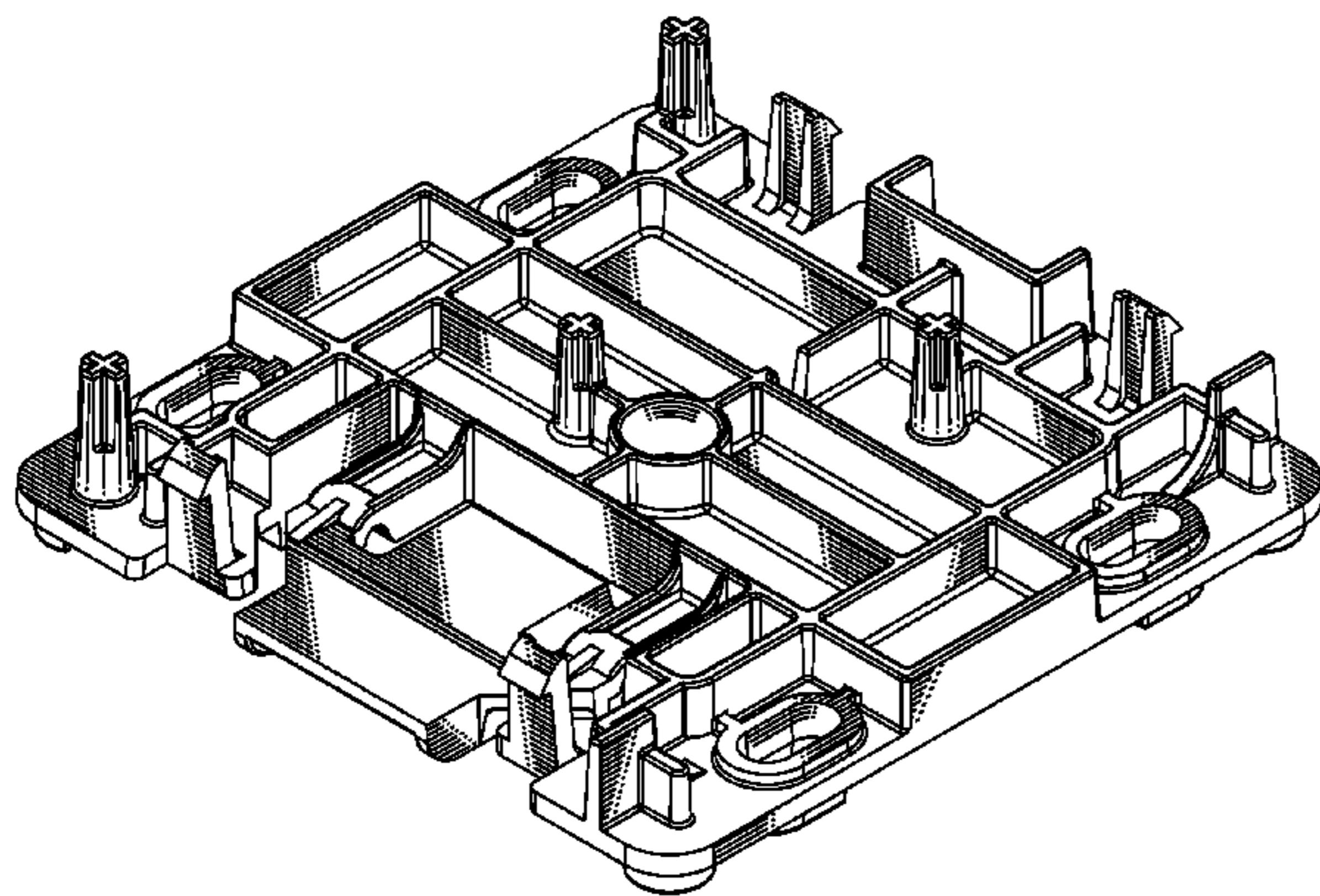
FIG. 5 is a right side view thereof;

FIG. 6 is a left side view thereof;

FIG. 7 is a top view thereof; and,

FIG. 8 is a bottom view thereof.

1 Claim, 8 Drawing Sheets



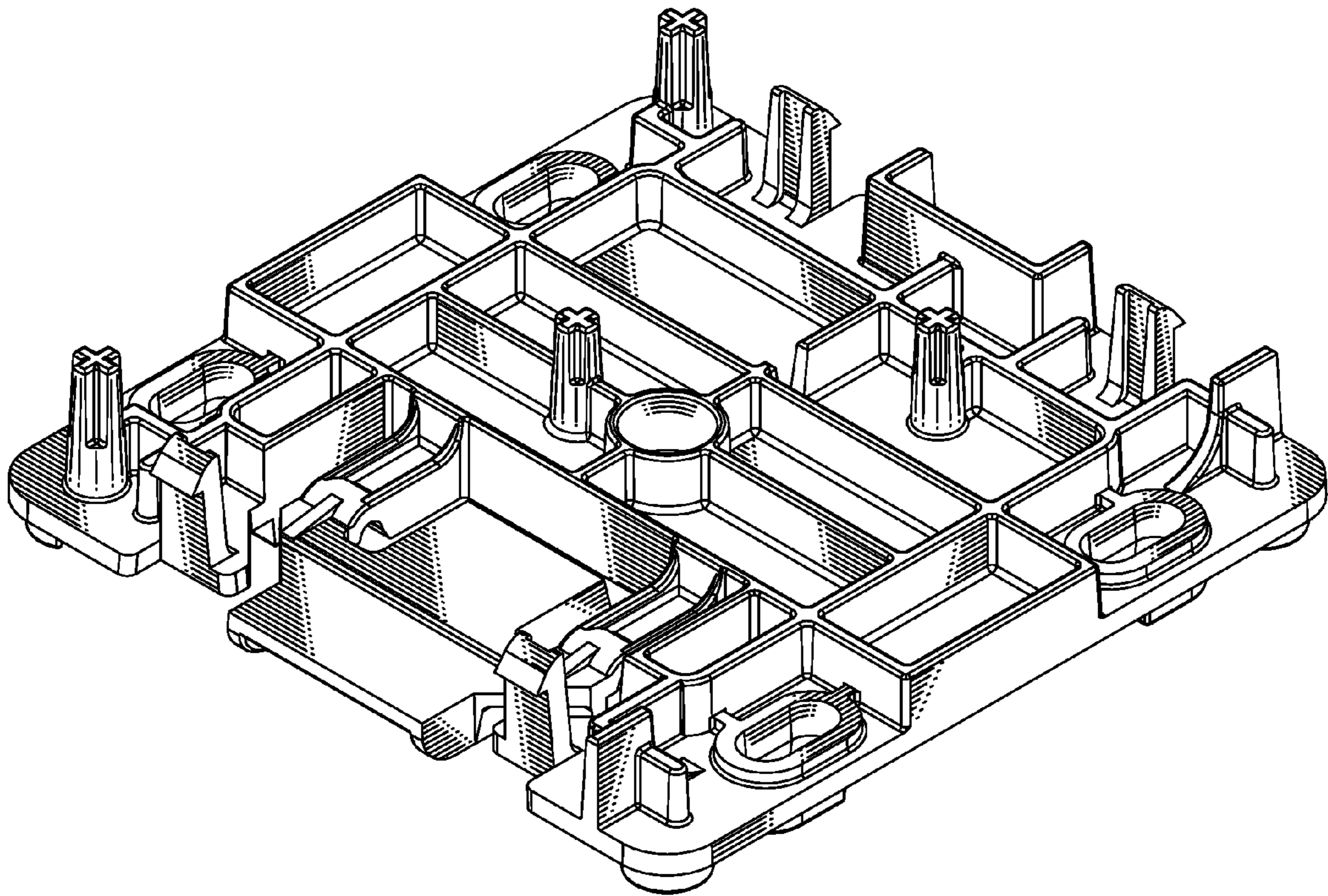


FIG. 1

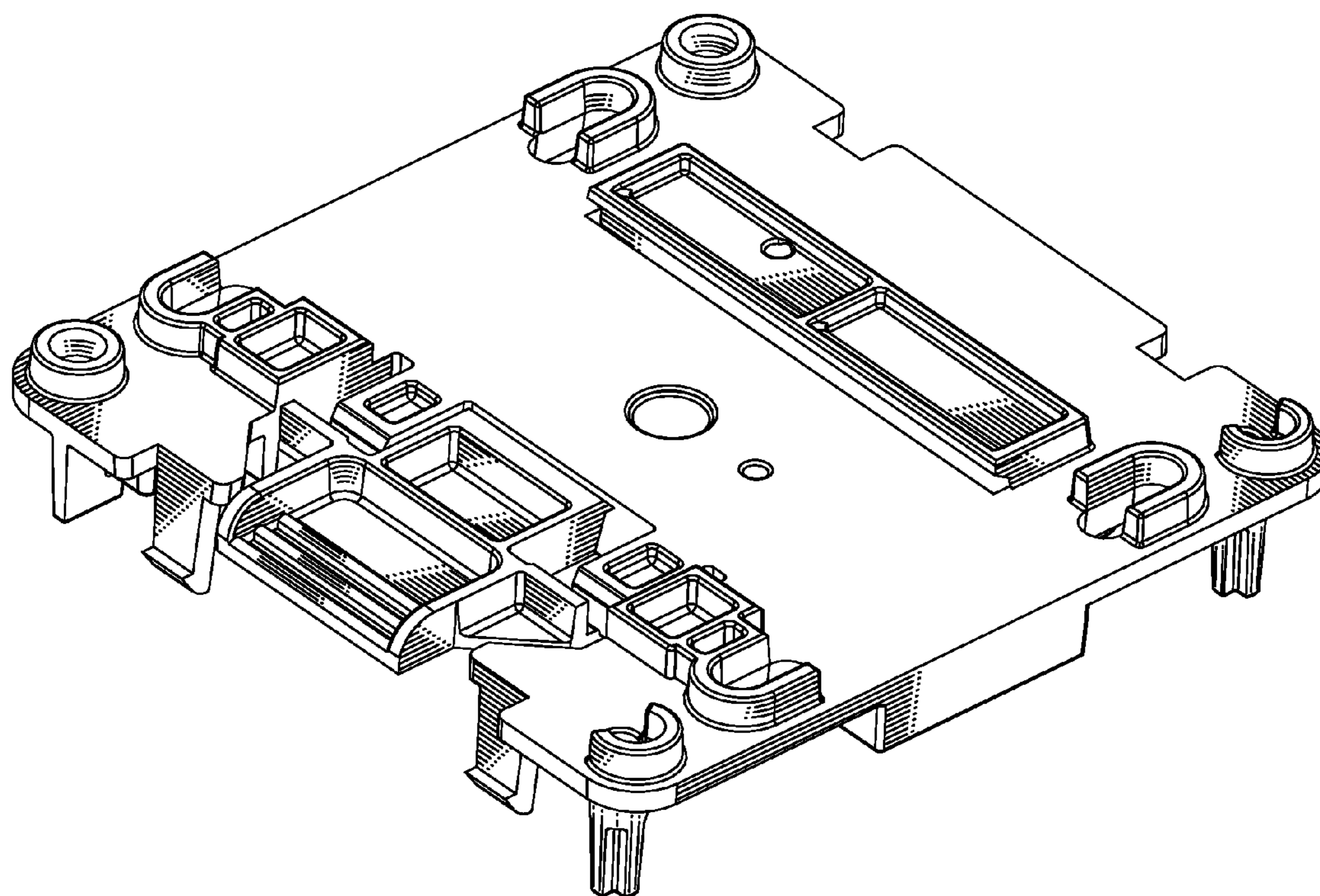


FIG. 2

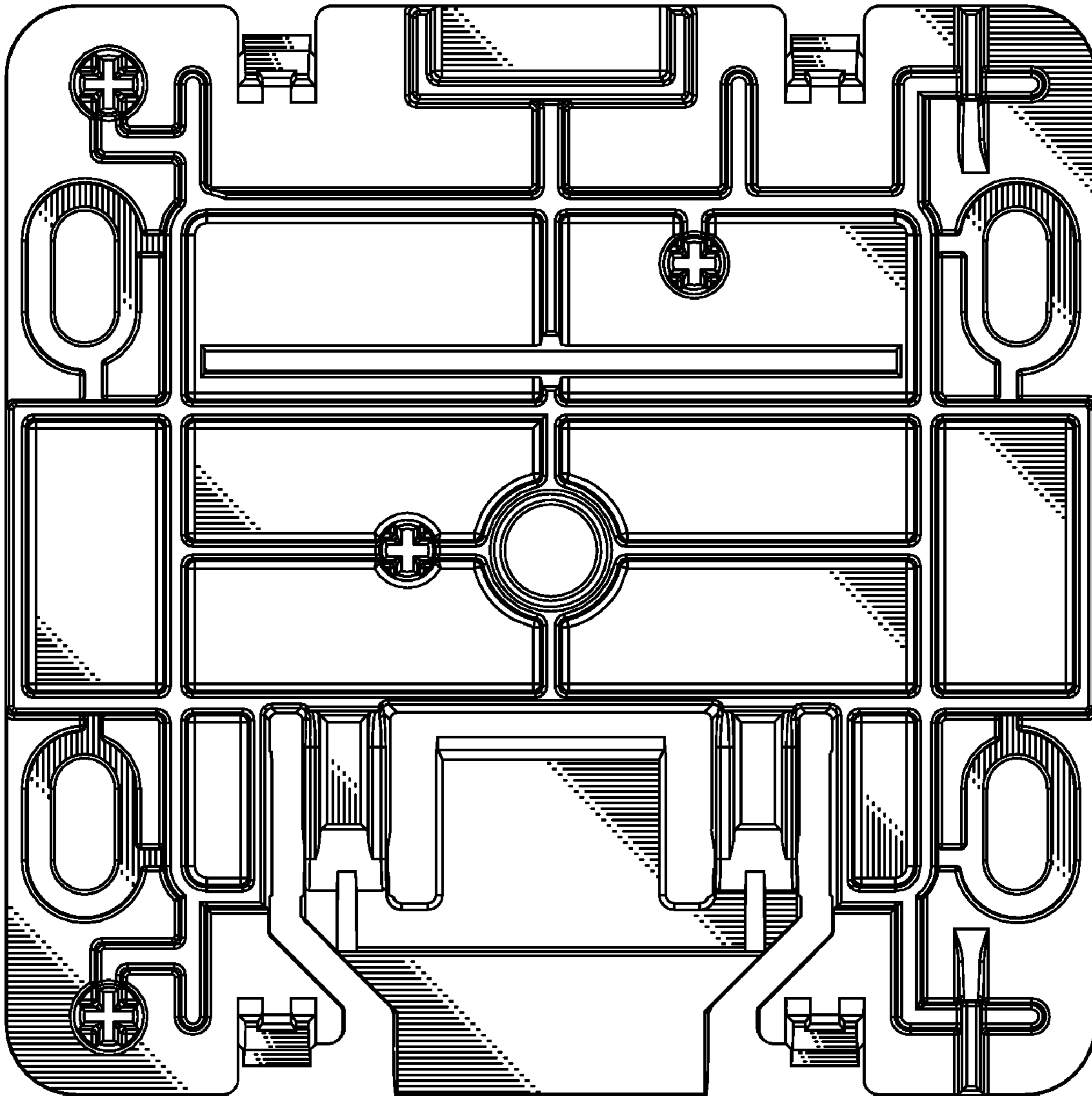


FIG. 3

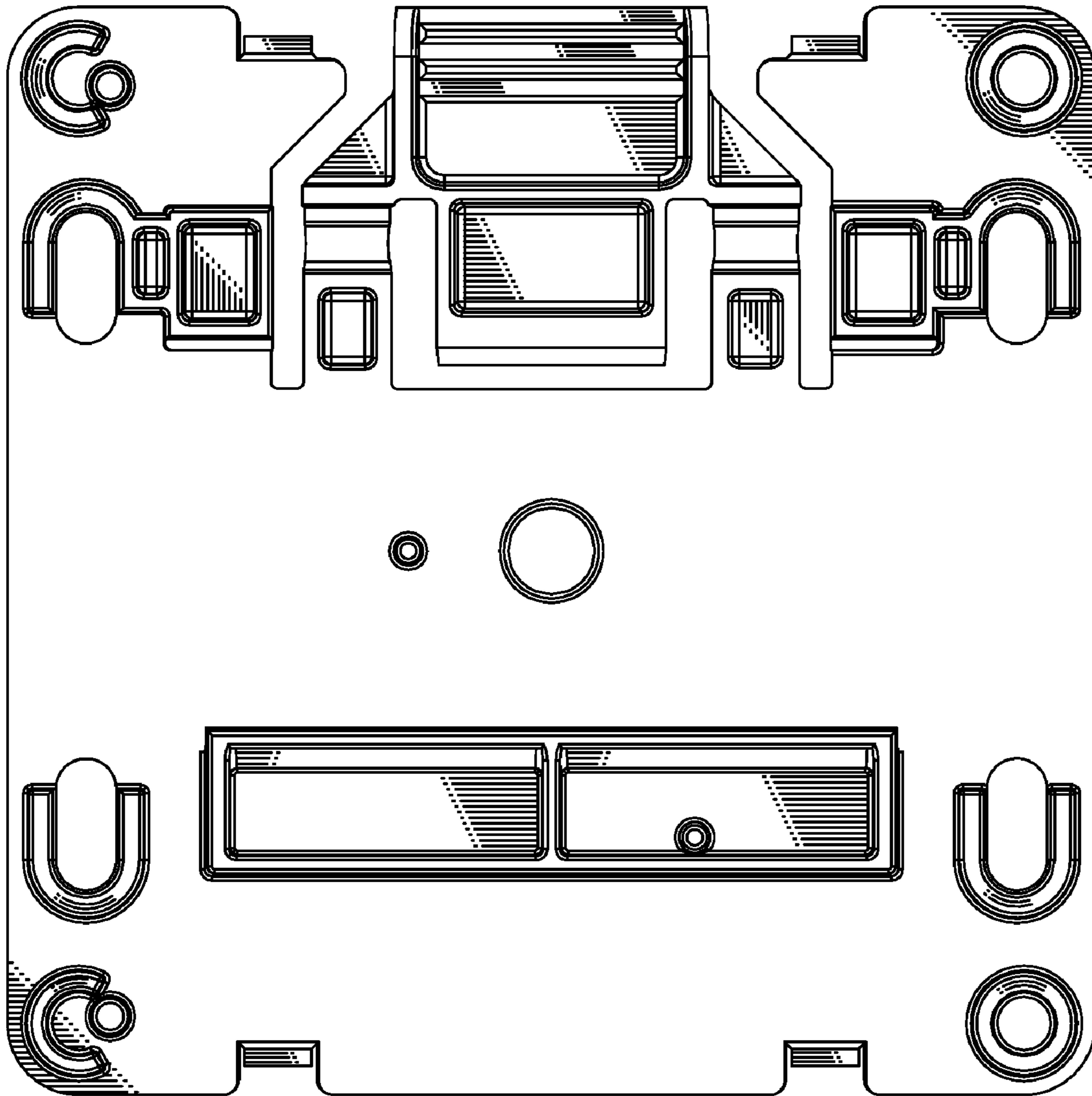


FIG. 4

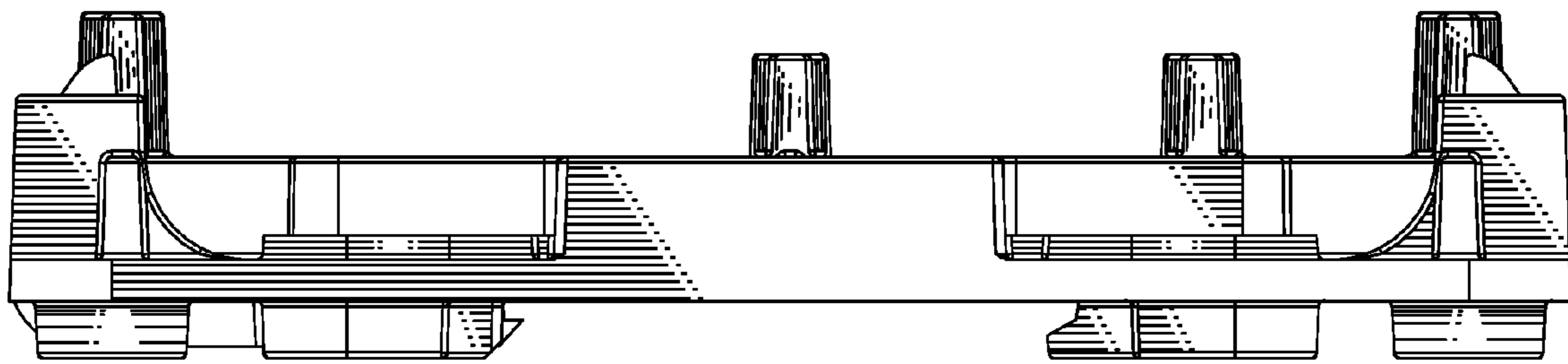


FIG. 5

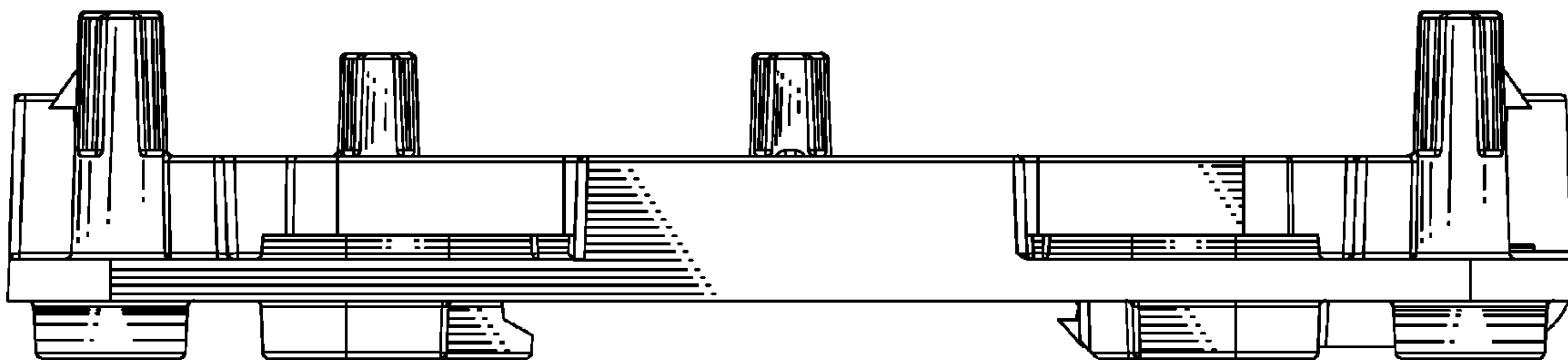


FIG. 6

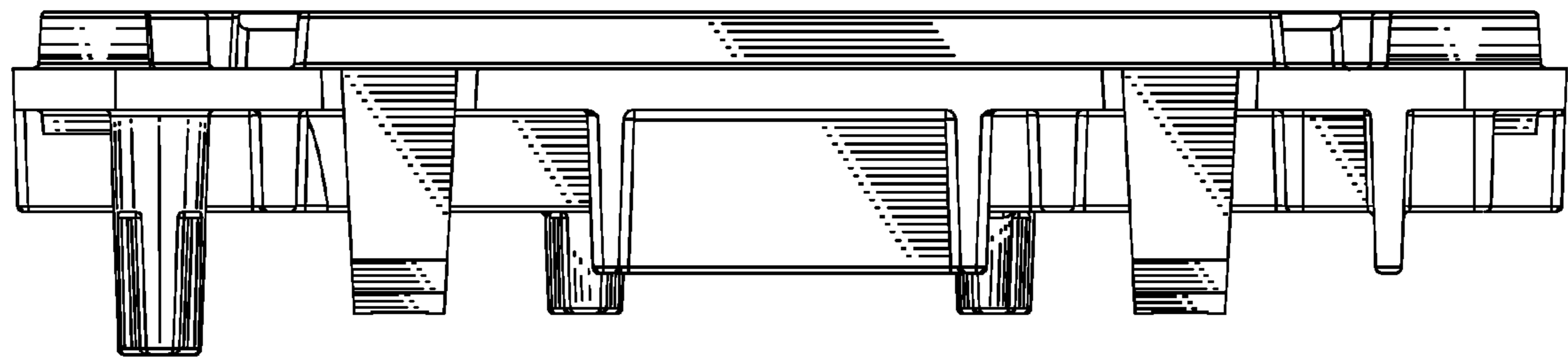


FIG. 7

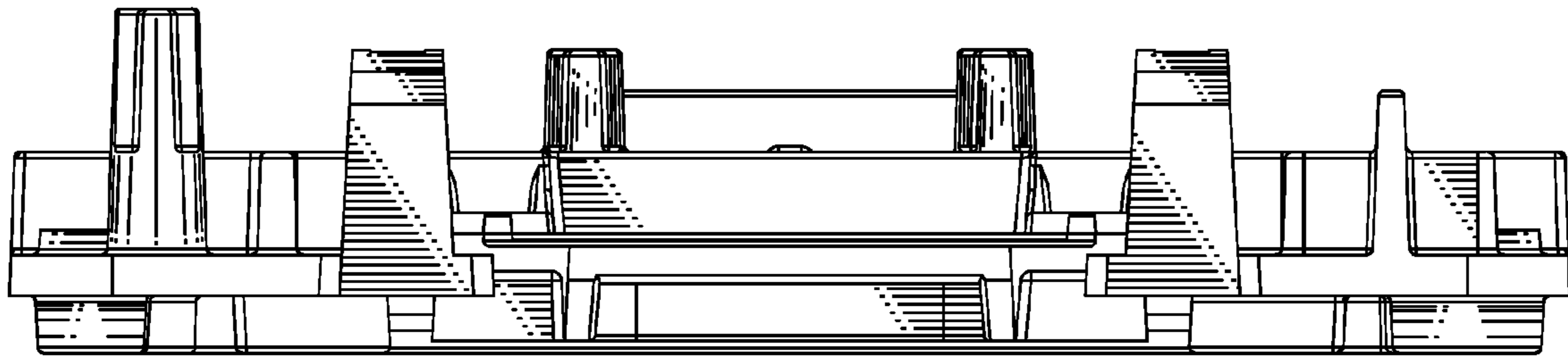


FIG. 8