

US00D566663S

(12) **United States Design Patent**
Yeh

(10) **Patent No.:** **US D566,663 S**
(45) **Date of Patent:** **** Apr. 15, 2008**

(54) **LIGHT EMITTING DIODE**

(75) Inventor: **Robert Yeh**, Yuanli Township, Miaoli County (TW)

(73) Assignee: **Everlight Electronics Co., Ltd.**, Taipei Hsien (TW)

(**) Term: **14 Years**

(21) Appl. No.: **29/264,428**

(22) Filed: **Aug. 10, 2006**

(30) **Foreign Application Priority Data**

Apr. 28, 2006 (TW) 95302263

(51) **LOC (8) Cl.** **13-03**

(52) **U.S. Cl.** **D13/180**

(58) **Field of Classification Search** D13/180;
D26/2; 257/79, 80, 81, 88, 89, 95, 98, 99,
257/100; 313/483, 498, 500; 362/555, 800
See application file for complete search history.

(56) **References Cited**

U.S. PATENT DOCUMENTS

D511,148 S * 11/2005 Ishida D13/180

D512,031 S * 11/2005 Ishida D13/180
D529,451 S * 10/2006 Kim et al. D13/180
D530,684 S * 10/2006 Tzeng D13/180
D531,141 S * 10/2006 Tzeng D13/180
2006/0023451 A1* 2/2006 Han et al. 362/249

* cited by examiner

Primary Examiner—Selina Sikder

(74) *Attorney, Agent, or Firm*—Rosenberg, Klein & Lee

(57) **CLAIM**

The ornamental design for a light emitting diode, as shown and described.

DESCRIPTION

FIG. 1 is a perspective view of a light emitting diode showing our new design;

FIG. 2 is a front view thereof;

FIG. 3 is a rear view thereof;

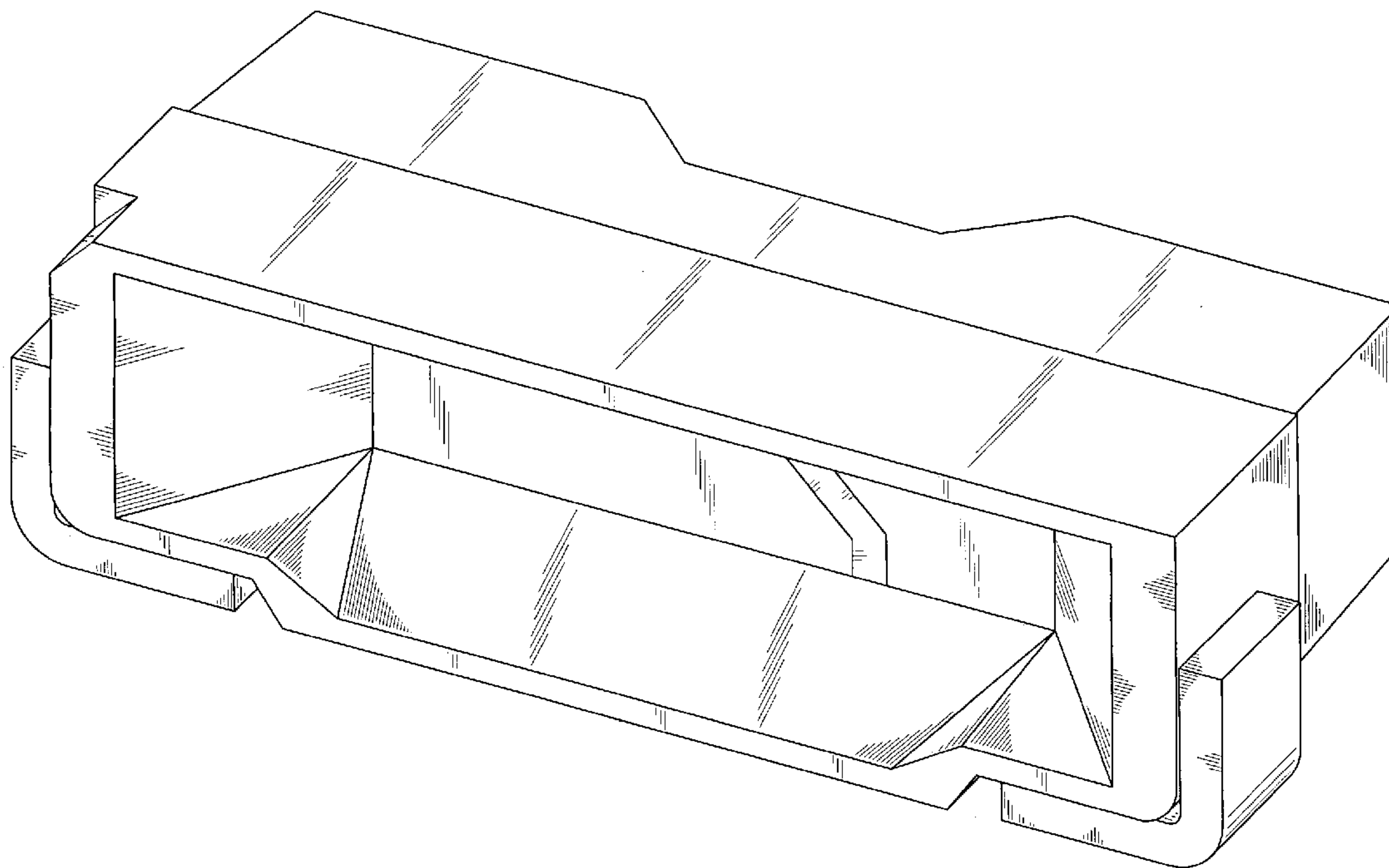
FIG. 4 is a left side view thereof;

FIG. 5 is a right side view thereof;

FIG. 6 is a top view thereof; and,

FIG. 7 is a bottom view thereof.

1 Claim, 6 Drawing Sheets



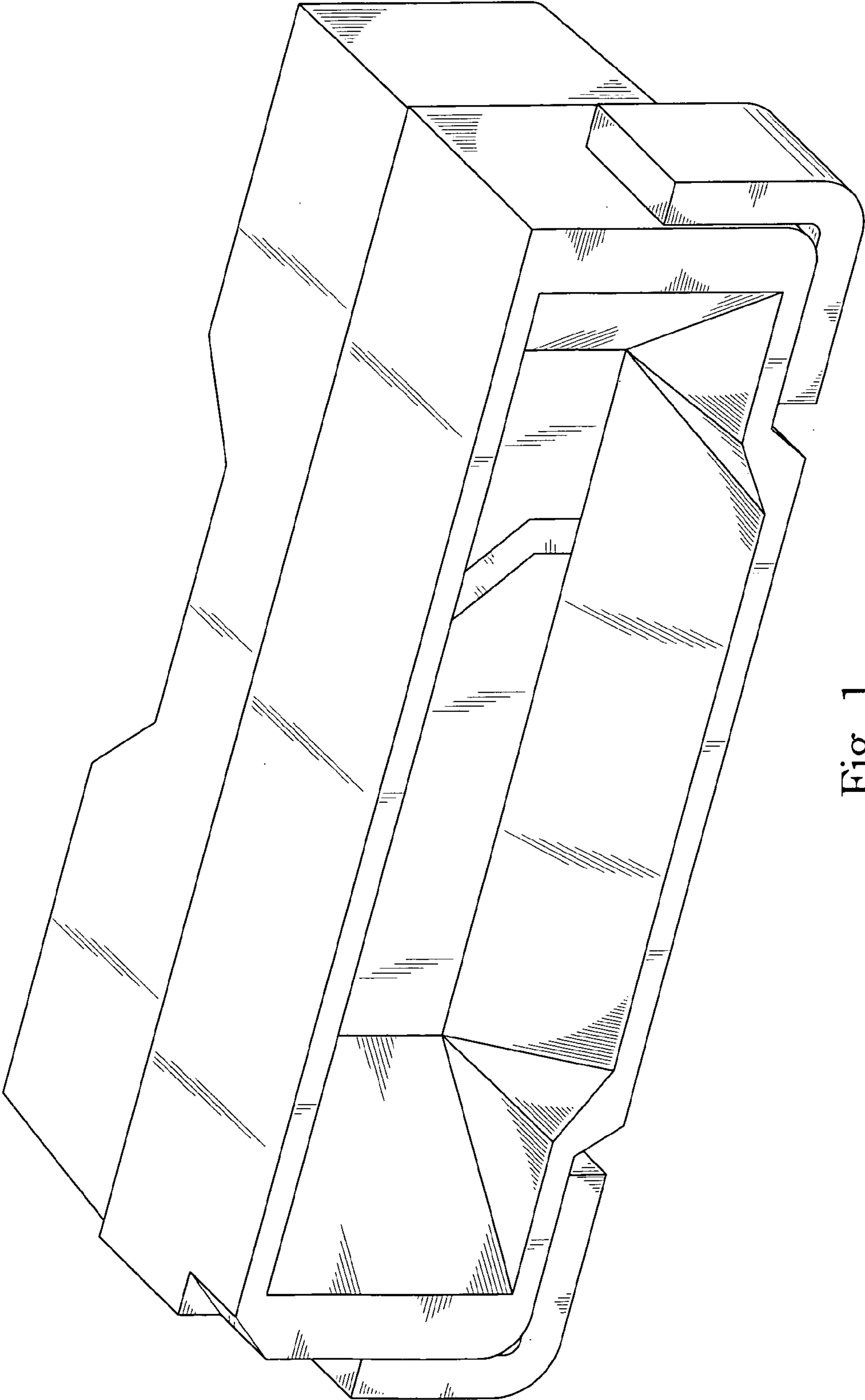


Fig. 1

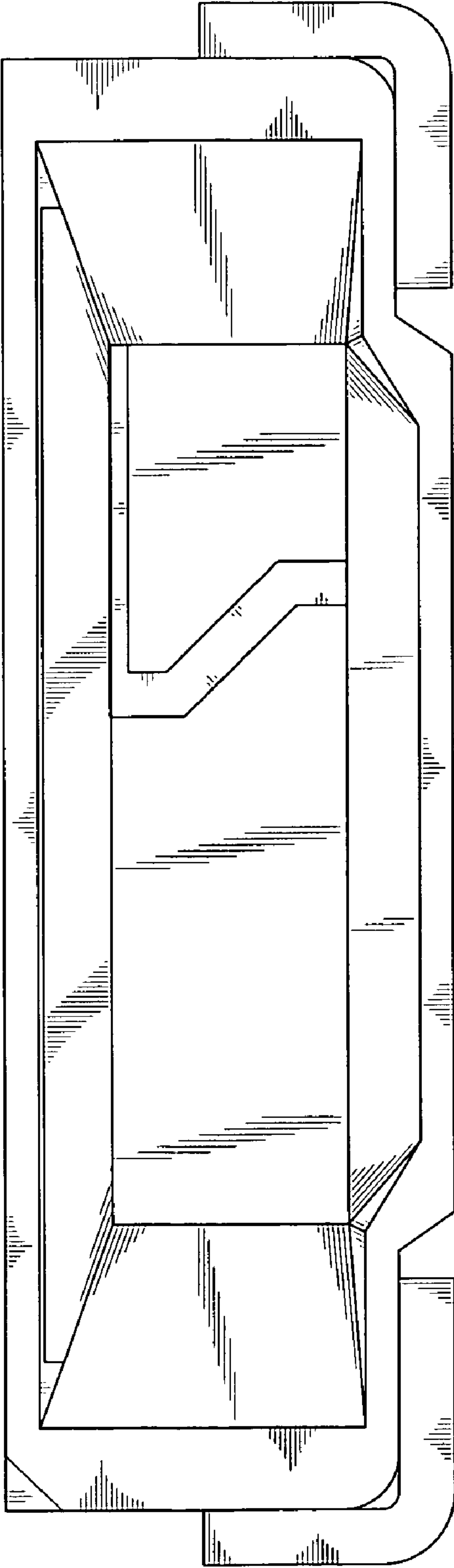


Fig. 2

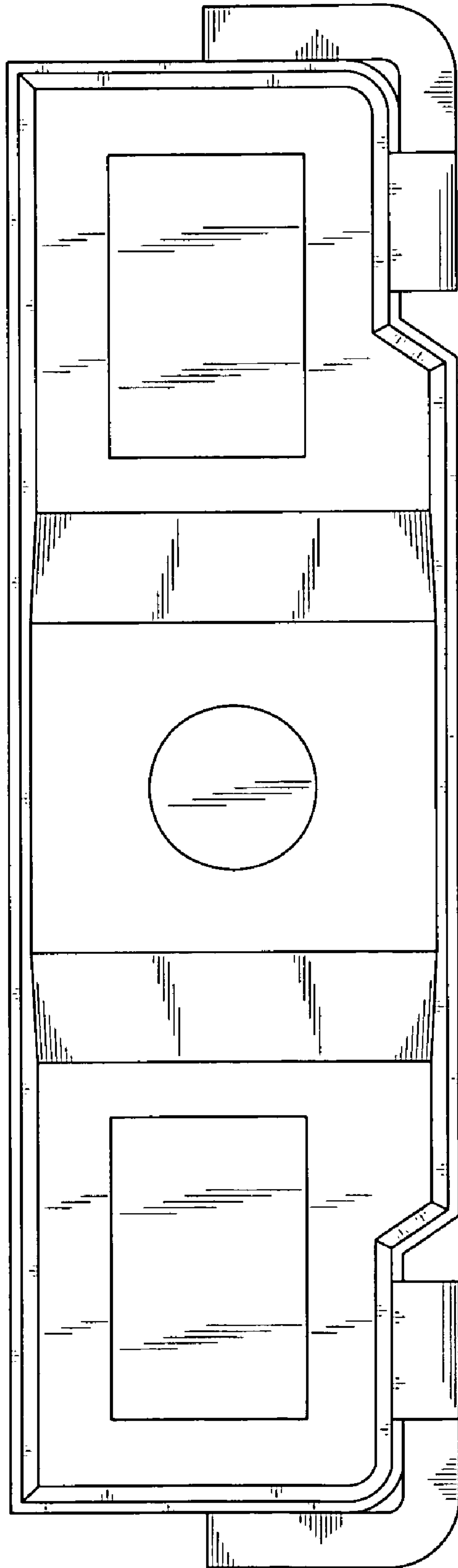


Fig. 3

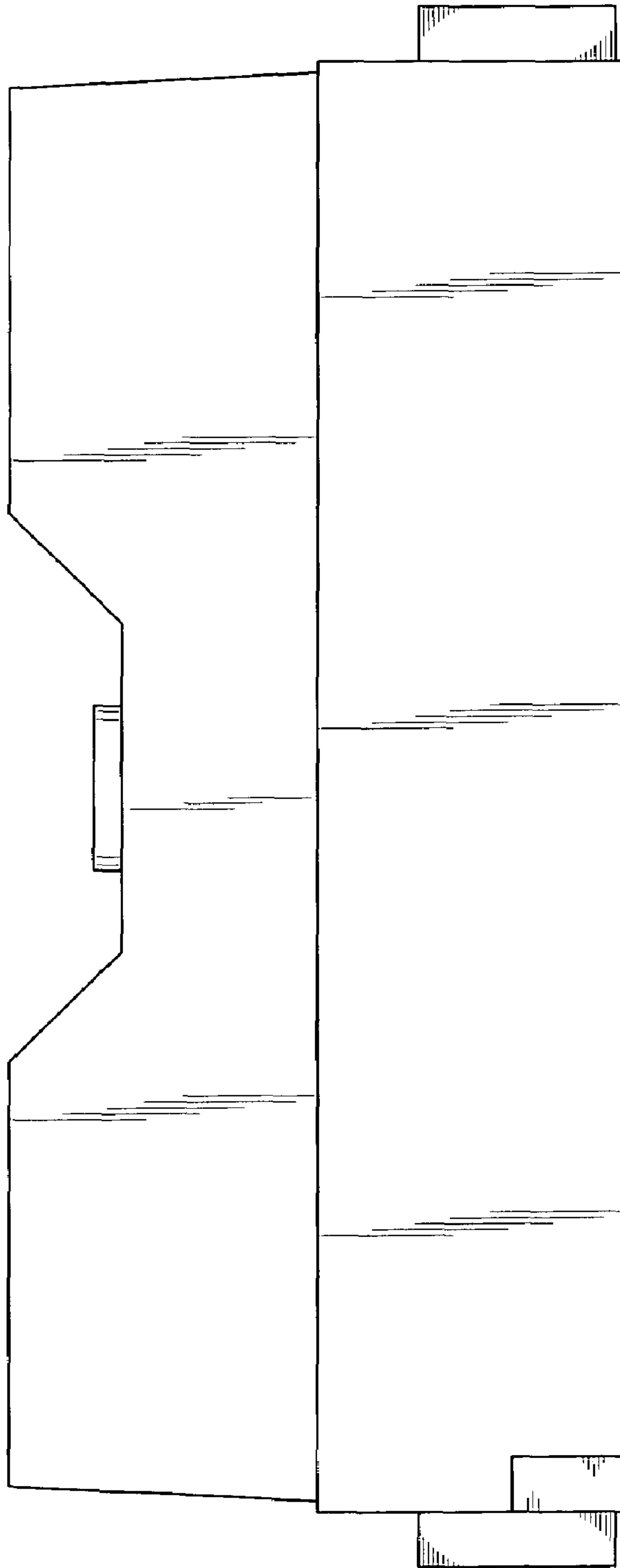


Fig. 4

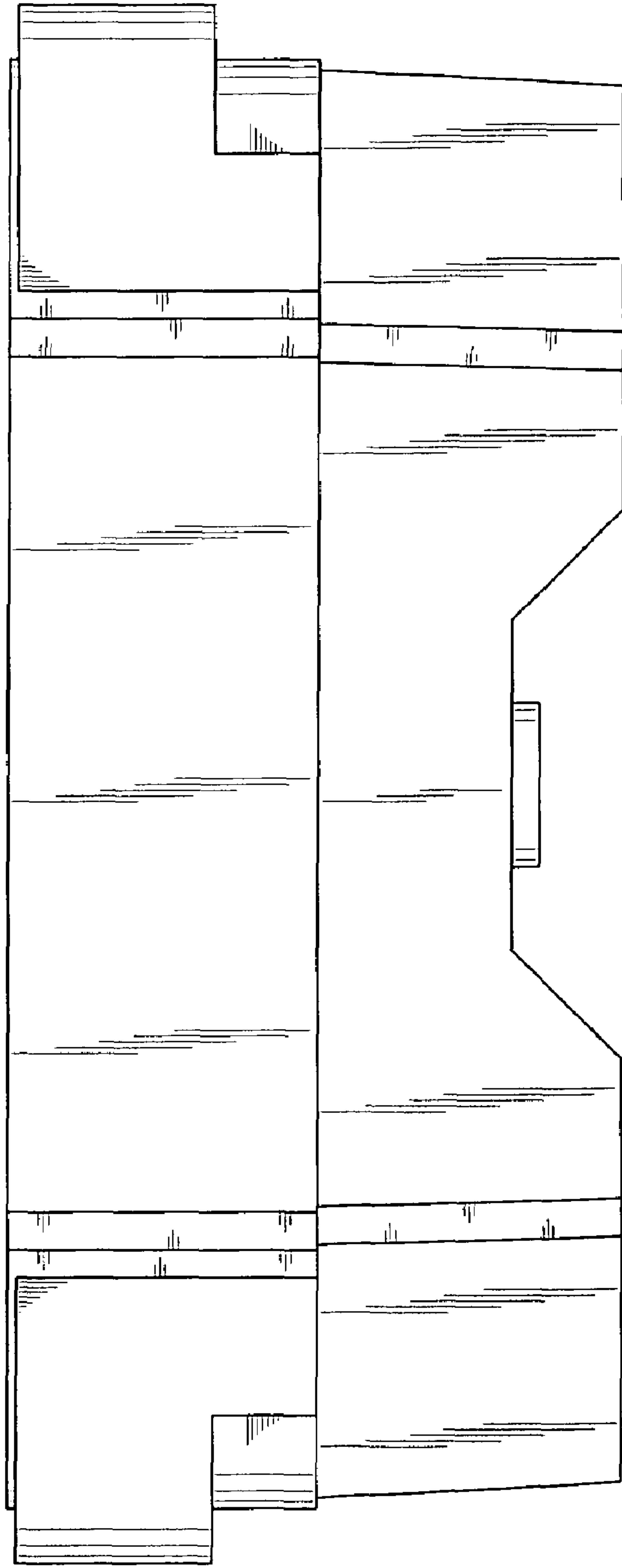


Fig. 5

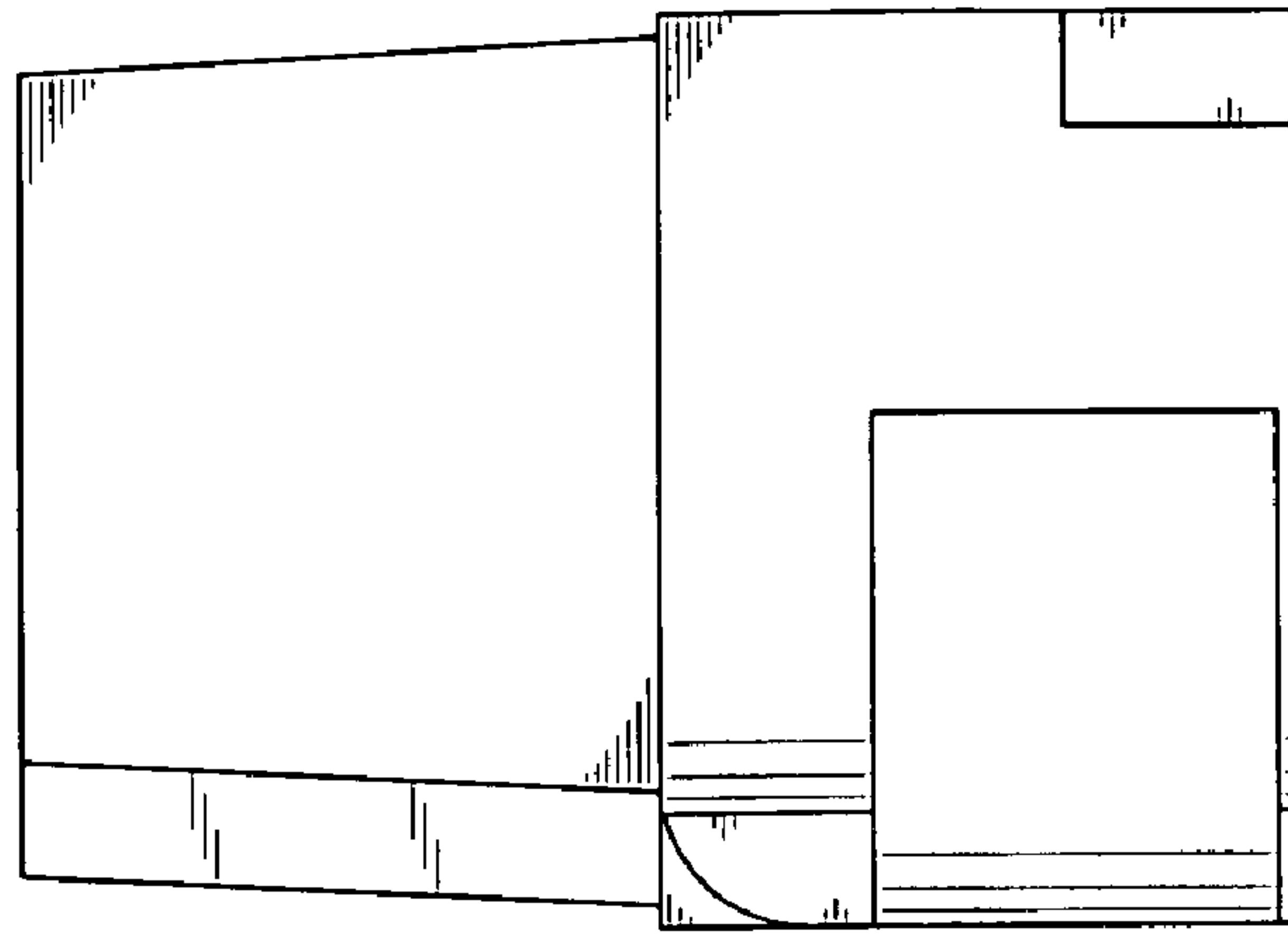


Fig. 6

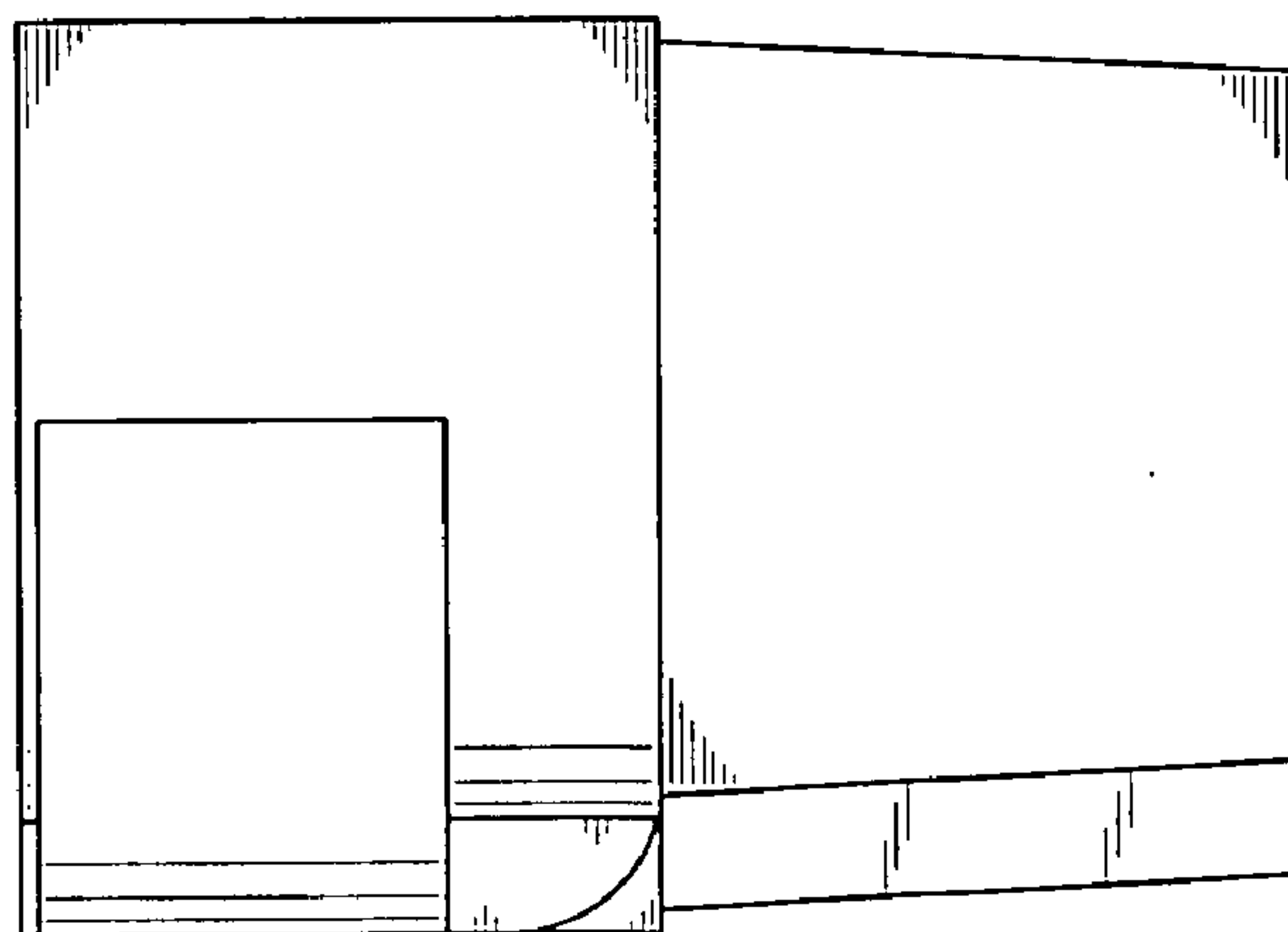


Fig. 7