



US00D56660S

(12) **United States Design Patent**
Ludwig et al.

(10) **Patent No.:** **US D566,660 S**

(45) **Date of Patent:** **** Apr. 15, 2008**

(54) **OPERATING HOUSING FOR A CONTROL PANEL**

(75) Inventors: **Christoph Ludwig**, Offenbach (DE);
Christoph K nnecke, Frankfurt (DE)

(73) Assignee: **Rittal GmbH & Co. KG**, Herborn (DE)

(**) Term: **14 Years**

(21) Appl. No.: **29/288,970**

(22) Filed: **Jun. 28, 2007**

(30) **Foreign Application Priority Data**

Oct. 16, 2004 (DE) 404 05 833

(51) **LOC (8) Cl.** **13-03**

(52) **U.S. Cl.** **D13/162**

(58) **Field of Classification Search** D13/158–184;
D14/371, 240, 239; D10/49, 46, 96; D24/215;
361/728, 729, 736, 740, 752, 761; 315/291,
315/294, 295; 362/559, 225; 700/17–32;
345/173, 156; 439/761, 341

See application file for complete search history.

(56) **References Cited**

U.S. PATENT DOCUMENTS

D363,709 S * 10/1995 Matsumoto D14/374
D421,246 S * 2/2000 Mayo et al. D13/162
6,247,768 B1 * 6/2001 Yamaguchi 312/223.2
D446,193 S * 8/2001 Lavelle et al. D14/126
D458,252 S * 6/2002 Palm et al. D14/343
D475,356 S * 6/2003 Niitsu D14/126
D504,687 S * 5/2005 Lee et al. D14/374
6,919,678 B2 * 7/2005 Ozolins et al. 313/479
6,966,617 B2 * 11/2005 Chen et al. 312/7.2
D518,744 S * 4/2006 Rosen D10/50
D520,003 S * 5/2006 Rinna et al. D14/374
D520,386 S * 5/2006 Takach et al. D10/50

D521,002 S * 5/2006 Rinna et al. D14/374
2007/0040810 A1 * 2/2007 Dowe et al. 345/173

* cited by examiner

Primary Examiner—Daniel Bui

Assistant Examiner—Thomas J Johannes

(74) *Attorney, Agent, or Firm*—Pauley Peterson & Erickson

(57) **CLAIM**

The ornamental design for an operating housing for a control panel, as shown and described.

DESCRIPTION

FIG. 1 is a front perspective view of an operating housing for a control panel according to a first embodiment of this invention showing our new design;

FIG. 2 is a front view thereof;

FIG. 3 is a rear view thereof;

FIG. 4 is a top view thereof;

FIG. 5 is a bottom view thereof;

FIG. 6 is a side view thereof;

FIG. 7 is a side view thereof, opposite the previous side view shown in FIG. 6;

FIG. 8 is a front perspective view of an operating housing for a control panel according to a second embodiment of this invention showing our new design;

FIG. 9 is a front view thereof;

FIG. 10 is a rear view thereof;

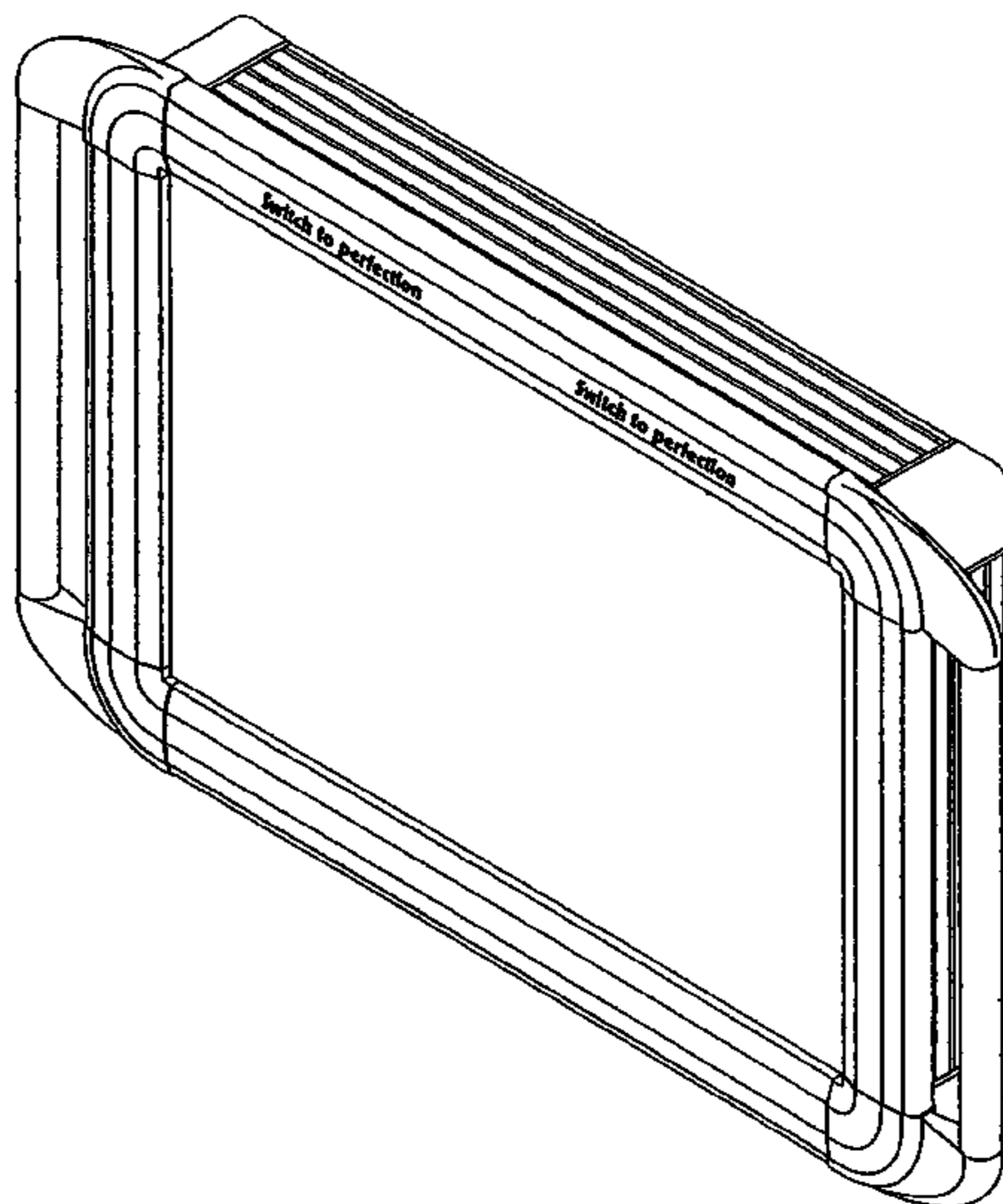
FIG. 11 is a top view thereof;

FIG. 12 is a bottom view thereof;

FIG. 13 is a side view thereof; and,

FIG. 14 is a side view thereof, opposite the previous side view shown in FIG. 13.

1 Claim, 14 Drawing Sheets



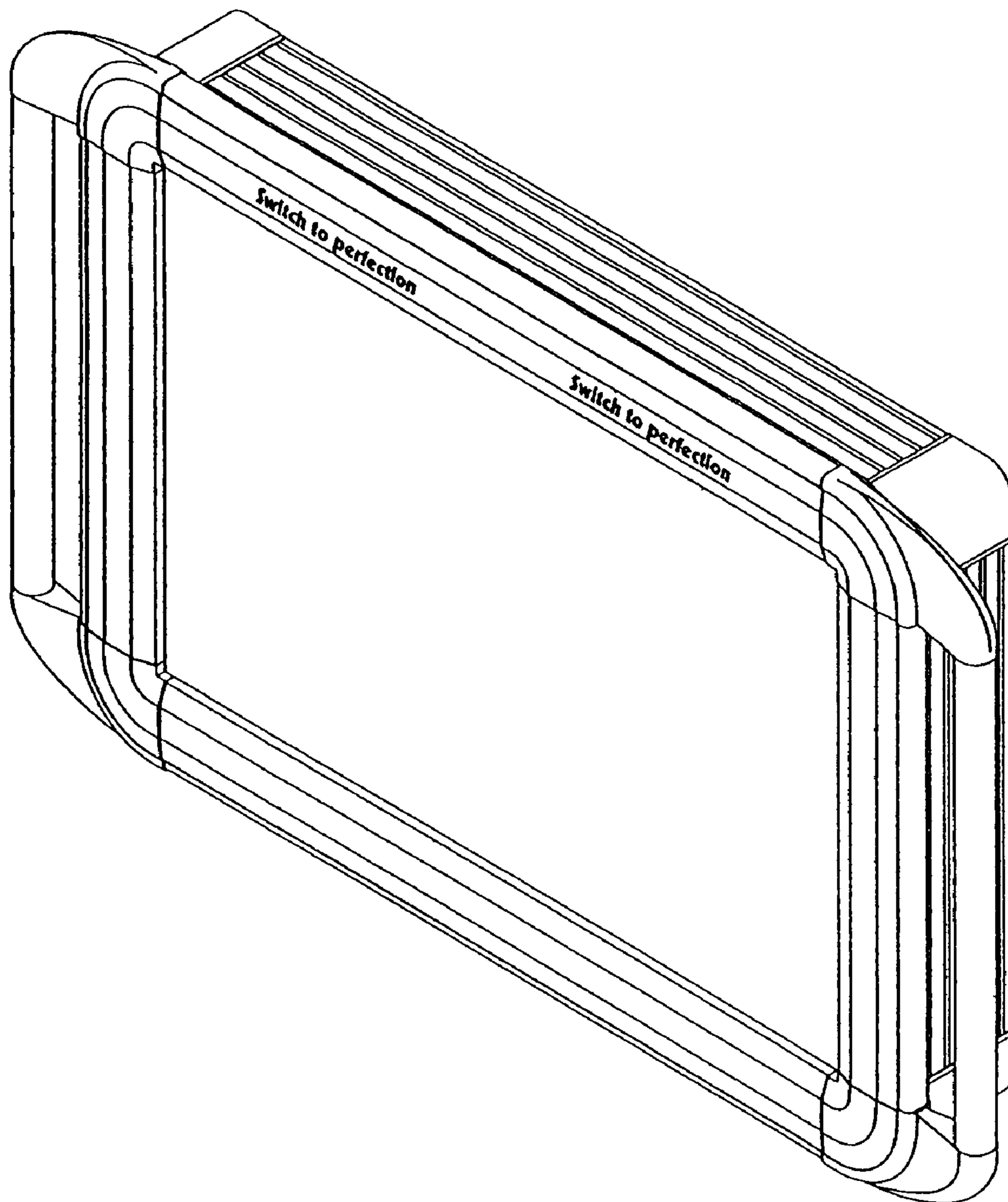


FIG. 1

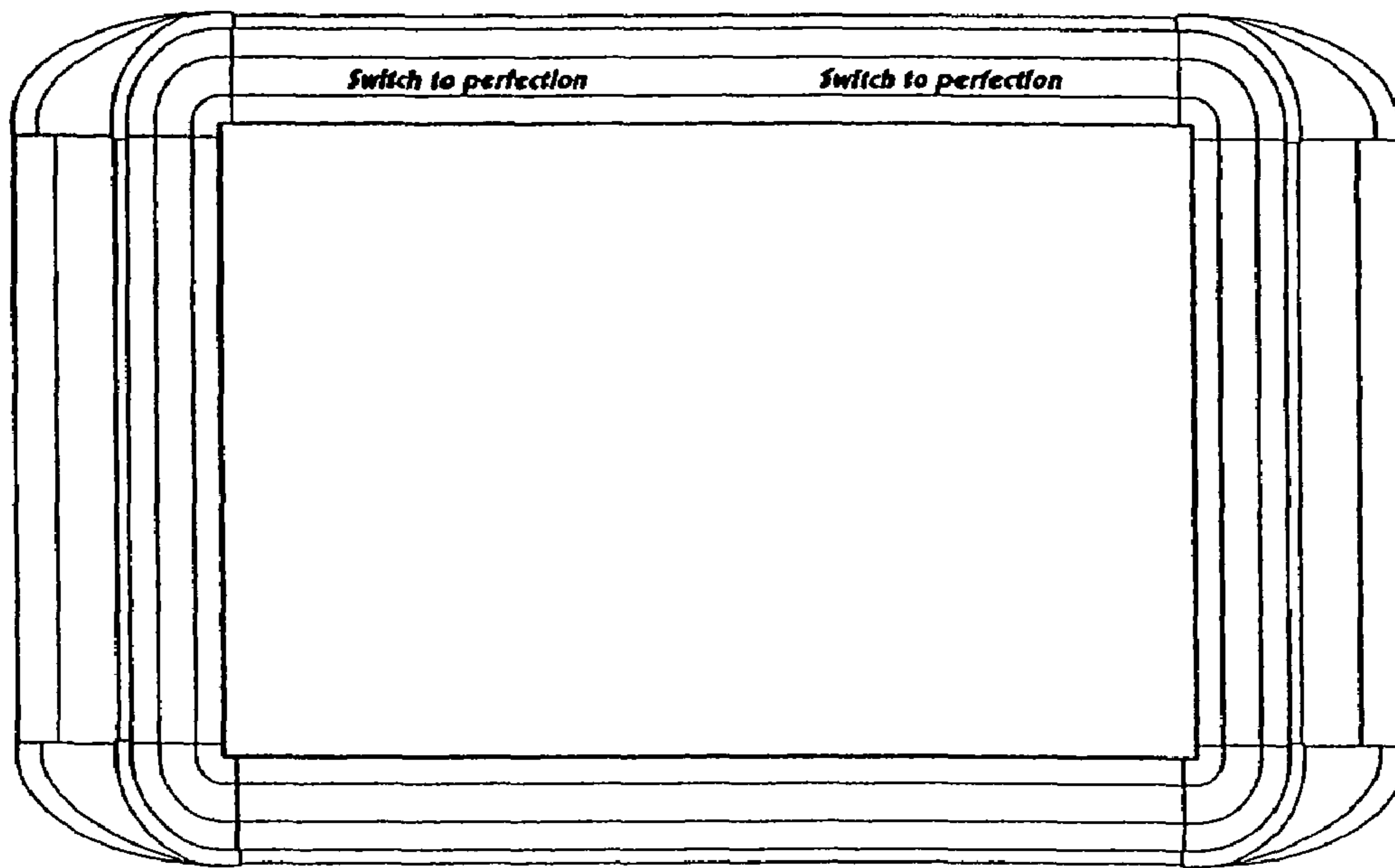


FIG. 2

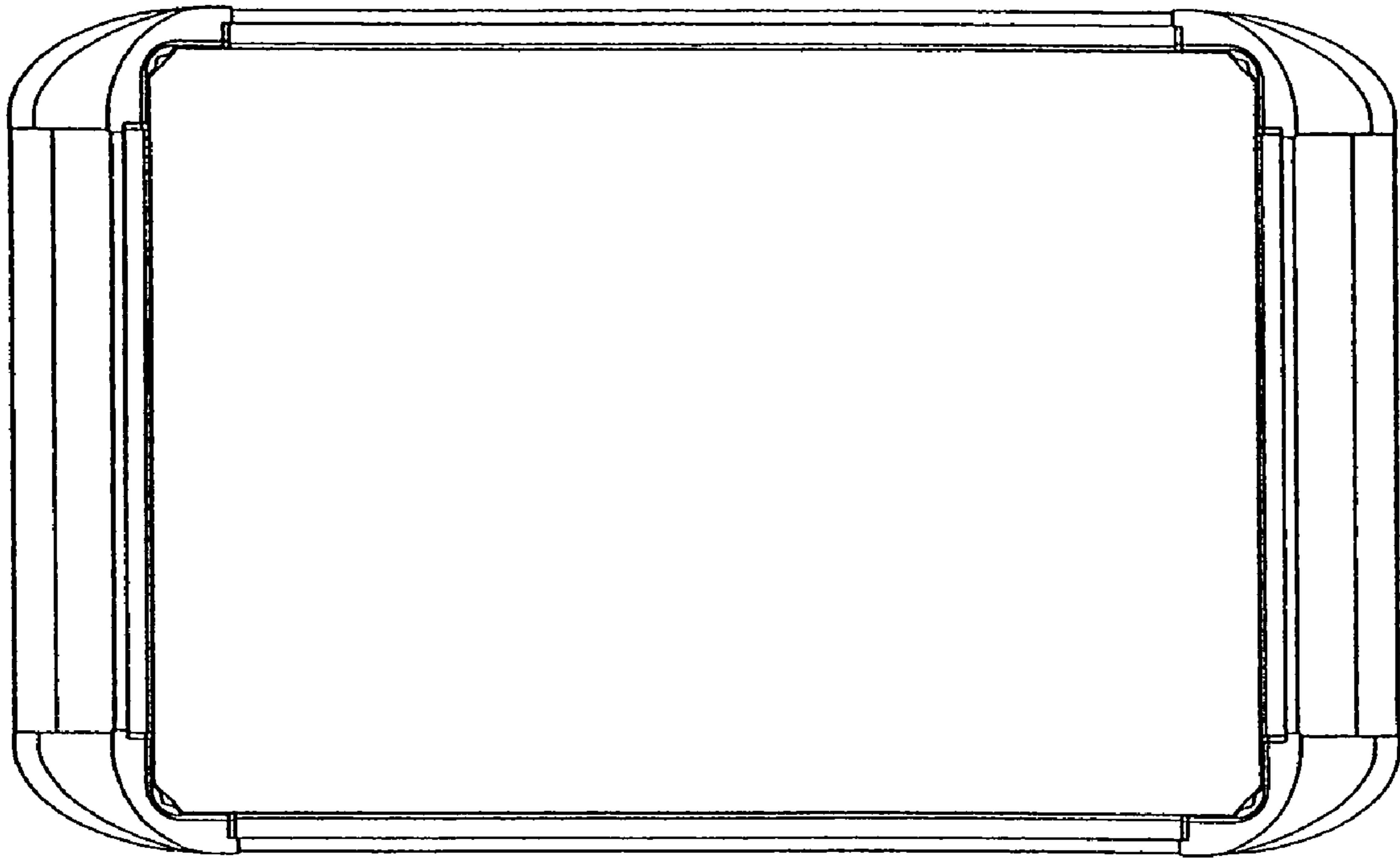


FIG. 3

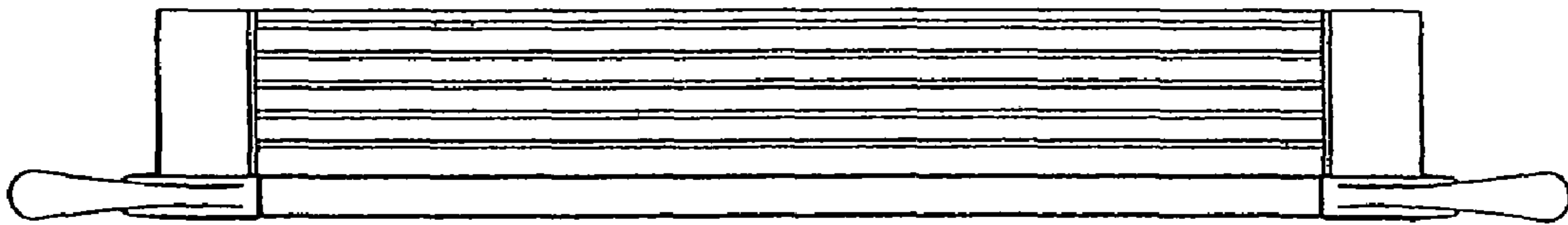


FIG. 4

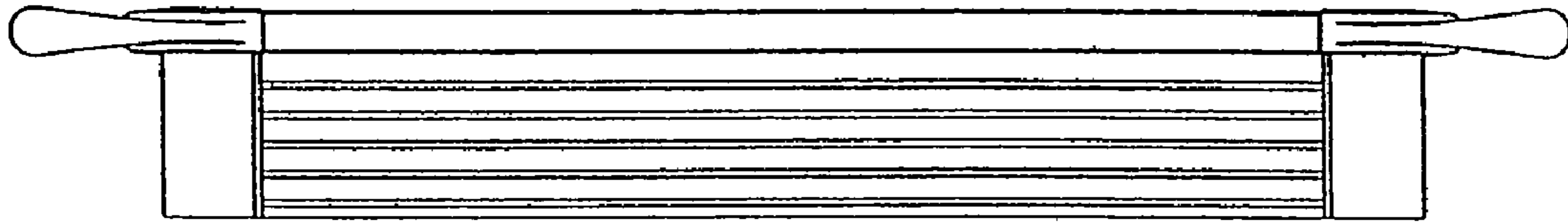


FIG. 5



FIG. 6



FIG. 7

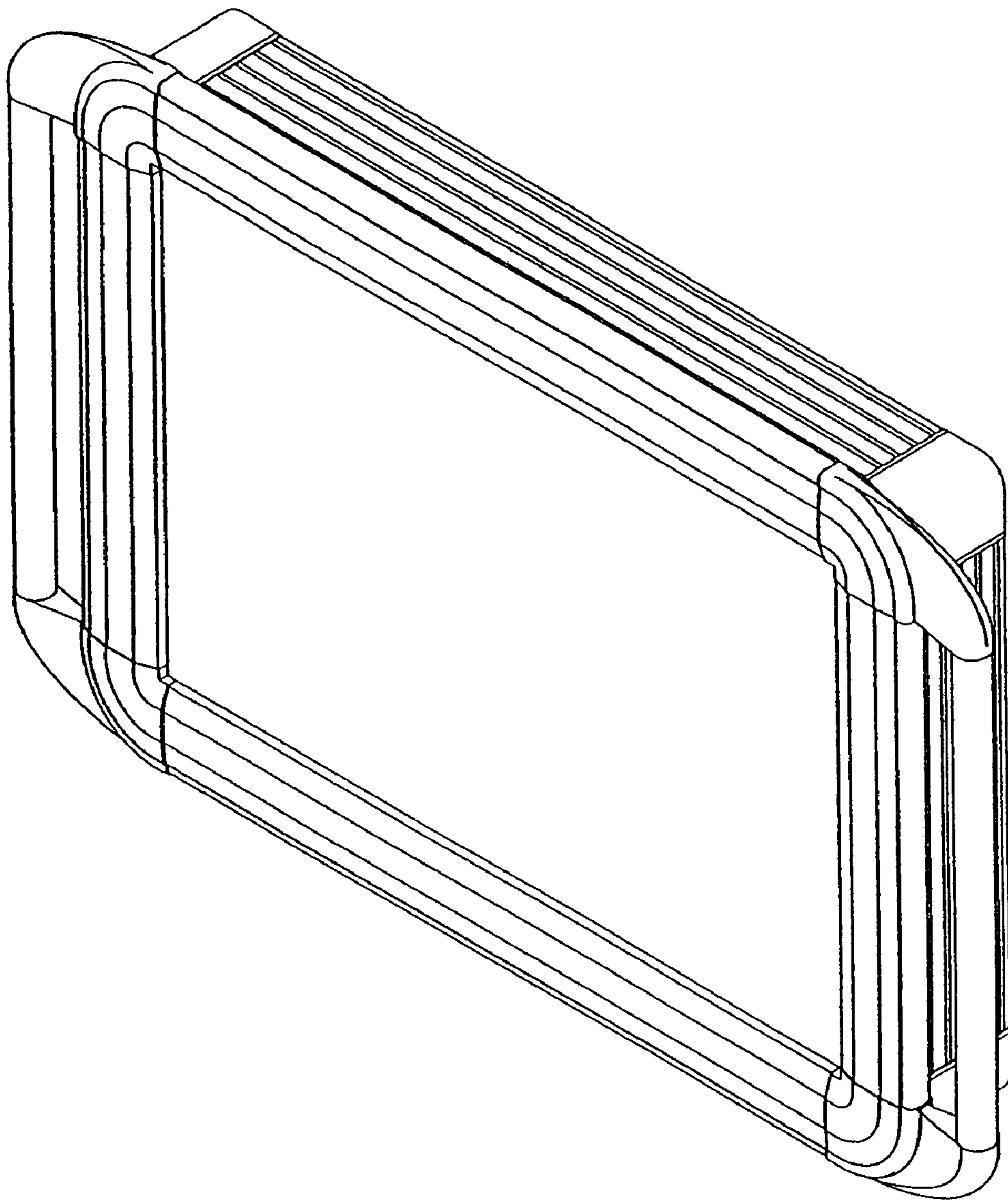


FIG. 8

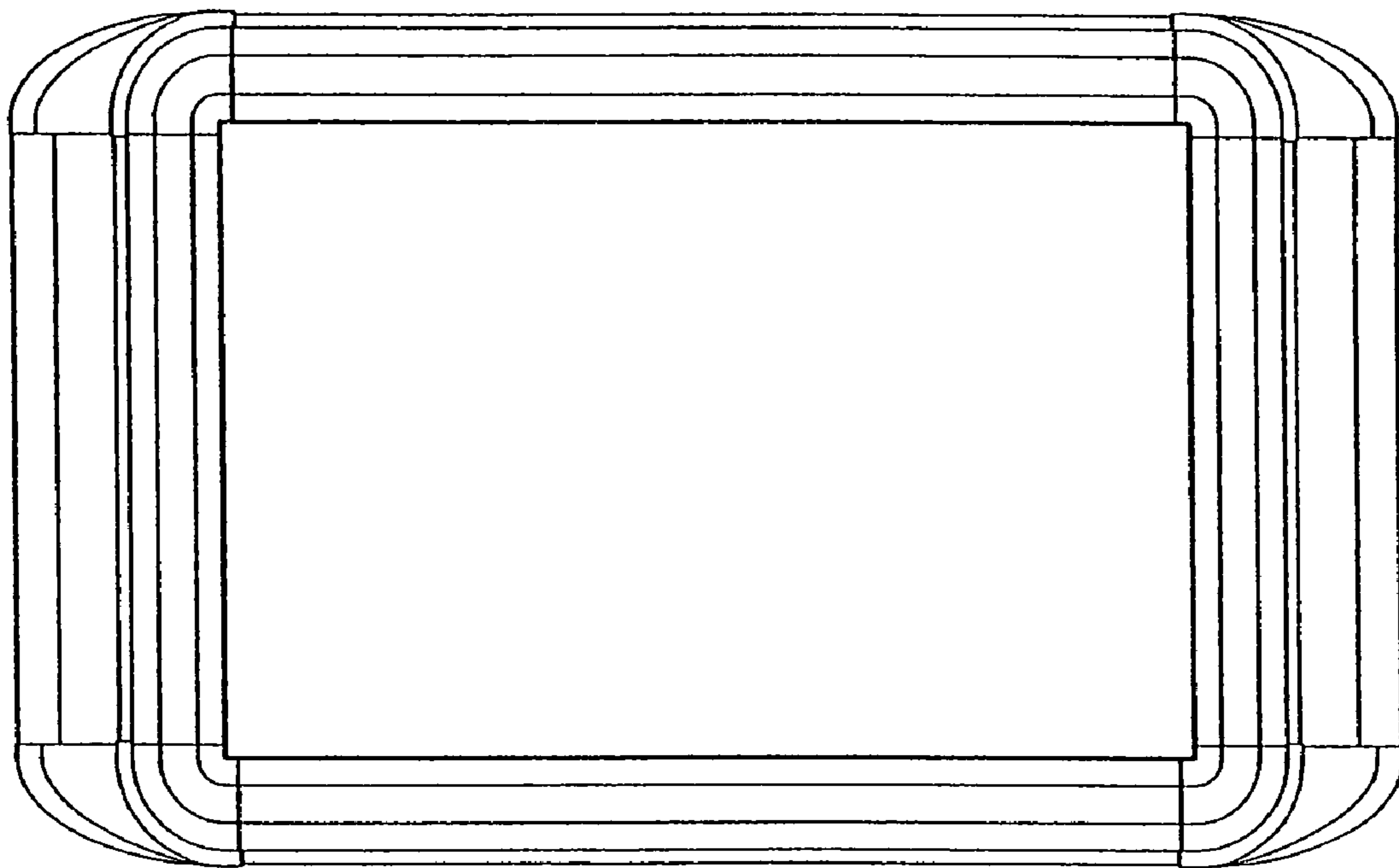


FIG. 9

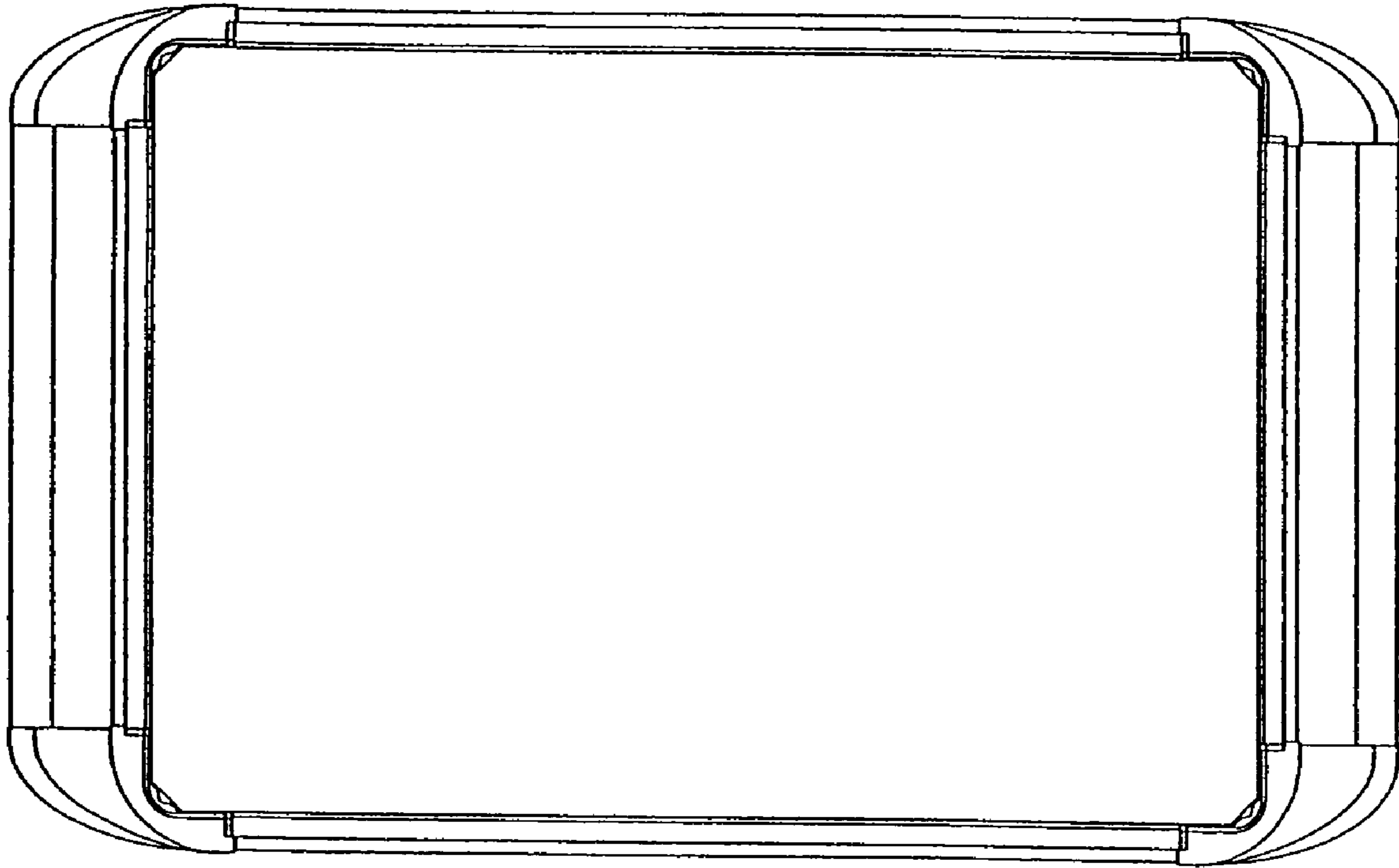


FIG. 10

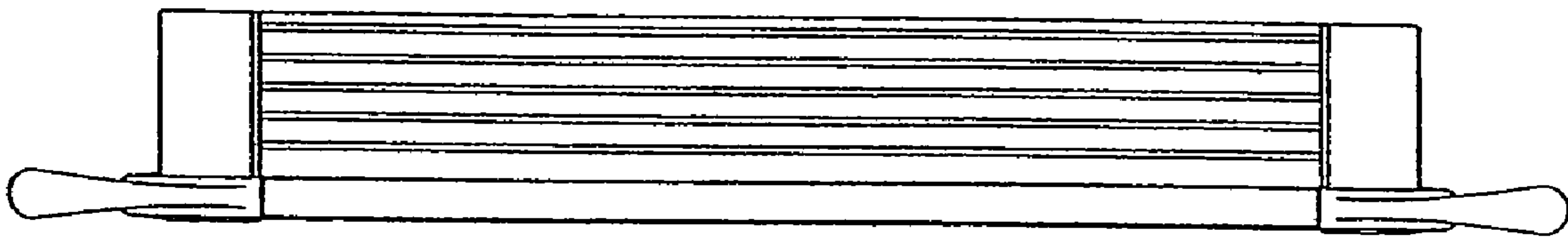


FIG. 11

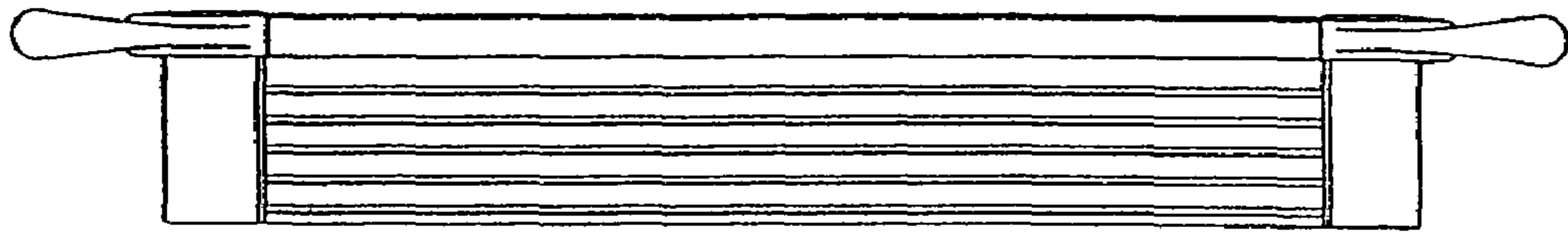


FIG. 12



FIG. 13

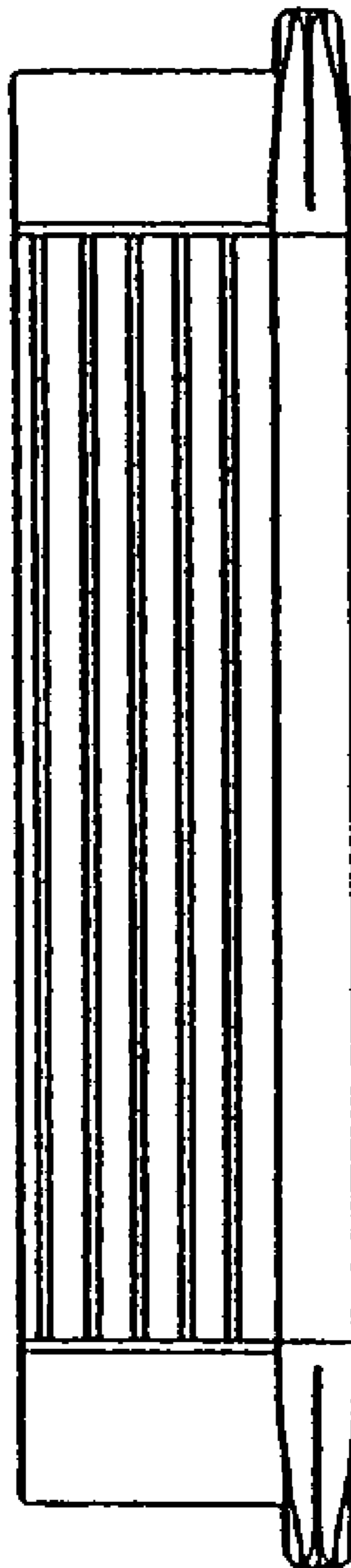


FIG. 14