



US00D566659S

(12) **United States Design Patent** (10) **Patent No.:** **US D566,659 S**  
**Spira** (45) **Date of Patent:** **\*\* Apr. 15, 2008**

- (54) **DIMMER SWITCH**
- (75) Inventor: **Joel S. Spira**, Coopersburg, PA (US)
- (73) Assignee: **Lutron Electronics Co., Inc.**,  
Coopersburg, PA (US)
- (\*\*) Term: **14 Years**
- (21) Appl. No.: **29/283,751**
- (22) Filed: **Aug. 22, 2007**

- D540,748 S 4/2007 Larson et al.  
D541,221 S 4/2007 Spira  
D541,755 S 5/2007 Spira  
D543,510 S 5/2007 Larson et al.  
D547,731 S 7/2007 Larson et al.  
D542,737 S 8/2007 Spira  
D548,194 S 8/2007 Spira  
2006/0255662 A1 11/2006 Abel

**OTHER PUBLICATIONS**

Lutron Electronics, Residential Lighting Controls Catalog, Jun. 2004, pp. 70-71.  
Lutron Electronics, Lyneo Slide Dimmer Specification Submittal Sheet, Jan. 2006, pp. 1-6.  
Lutron Electronics, Lyneo Installation Sheet, Jan. 2006, 1-2.  
U.S. Appl. No. 29/260,536, filed May 26, 2006, Blair et al.  
U.S. Appl. No. 29/265,721, filed Dec. 7, 2006, Hewson et al.  
U.S. Appl. No. 29/269,808, filed Dec. 8, 2006, Bhate et al.

**Related U.S. Application Data**

- (62) Division of application No. 29/254,338, filed on Feb. 22, 2006.
- (51) **LOC (8) Cl.** ..... **13-03**
- (52) **U.S. Cl.** ..... **D13/162; D13/170**
- (58) **Field of Classification Search** ..... D13/162,  
D13/170, 171; 174/66; 200/5 R, 520, 530,  
200/531, 536, 547, 550, 252, 293, 296, 315,  
200/333, 314, 335, 329, 341; 338/176; 307/125,  
307/139; 315/291-296
- See application file for complete search history.

*Primary Examiner*—Selina Sikder  
(74) *Attorney, Agent, or Firm*—Mark E. Rose

(57) **CLAIM**

I claim the ornamental design for a dimmer switch, as shown and described.

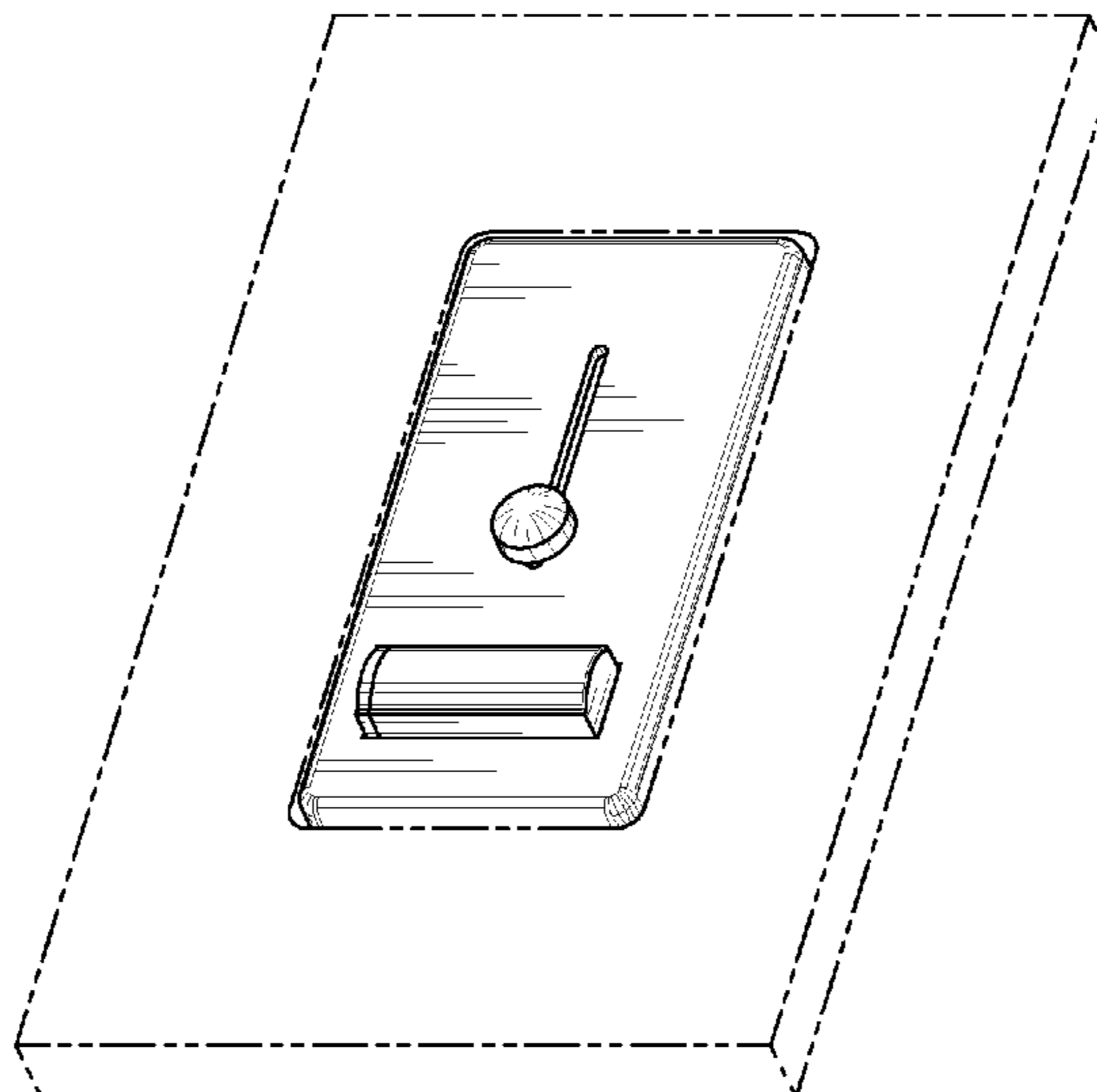
**DESCRIPTION**

FIG. 1 is a perspective view of a dimmer switch according to an embodiment of my new design.  
FIG. 2 is a front view thereof.  
FIG. 3 is a left side view thereof.  
FIG. 4 is a right side view thereof.  
FIG. 5 is a top view thereof; and,  
FIG. 6 is a bottom view thereof.

The rear view forms no part of the design and is omitted. The portions of the drawings appearing in broken line are for environment only and do not form a part of the design.

**1 Claim, 4 Drawing Sheets**

- (56) **References Cited**
- U.S. PATENT DOCUMENTS
- D241,853 S 10/1976 Spira et al.  
4,835,343 A 5/1989 Graef et al.  
5,191,971 A 3/1993 Hakkarainen et al.  
D335,282 S 5/1993 Jurell et al.  
D405,061 S 2/1999 Thomas  
D412,491 S 8/1999 Mayo et al.  
D437,584 S 2/2001 Radosavljevic et al.  
D456,783 S 5/2002 Mayo et al.  
D487,429 S 3/2004 Bennett et al.  
D533,843 S 12/2006 Larson et al.  
D533,844 S 12/2006 Larson et al.  
D540,267 S 4/2007 Larson et al.



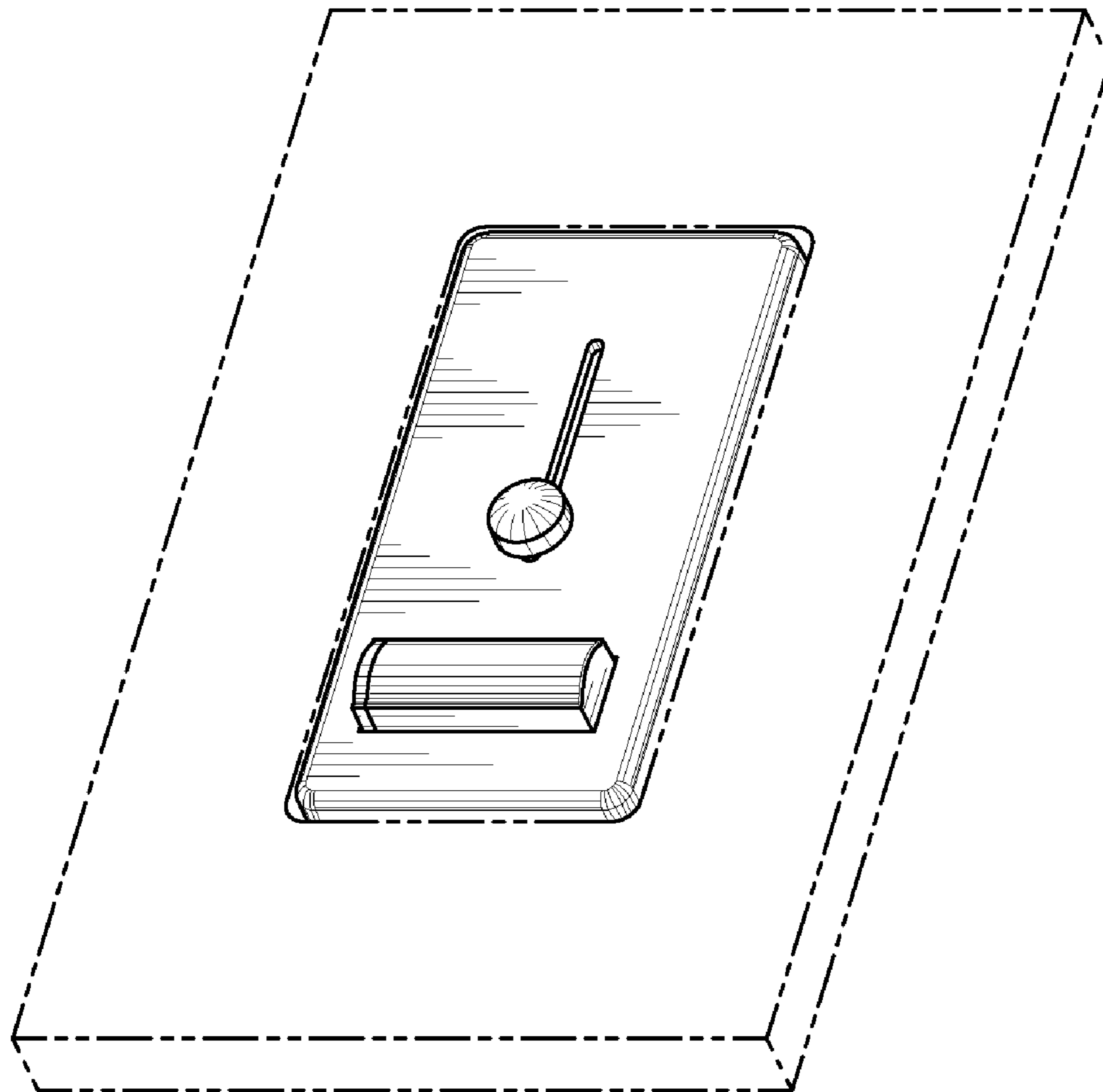


Fig. 1

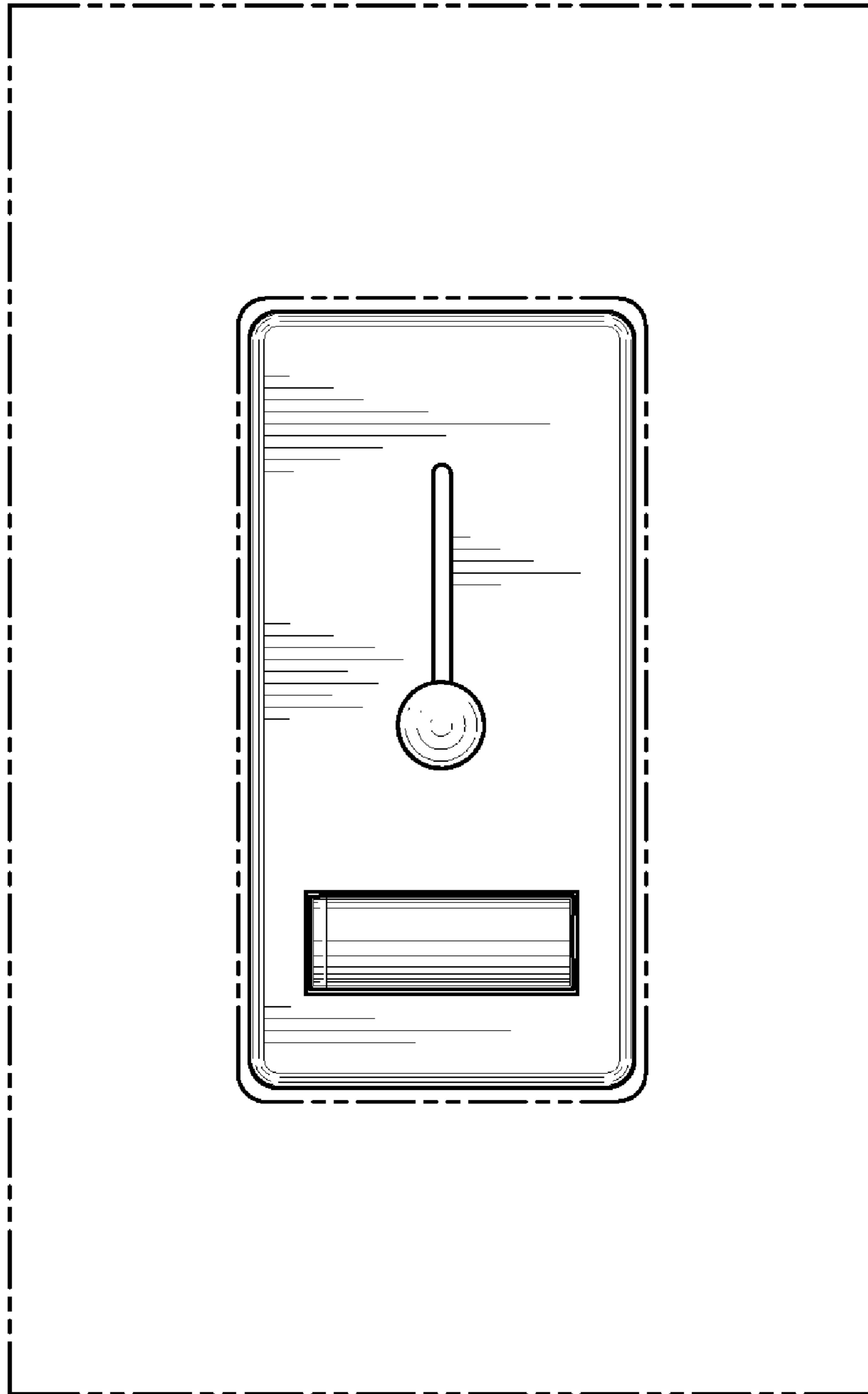


Fig. 2

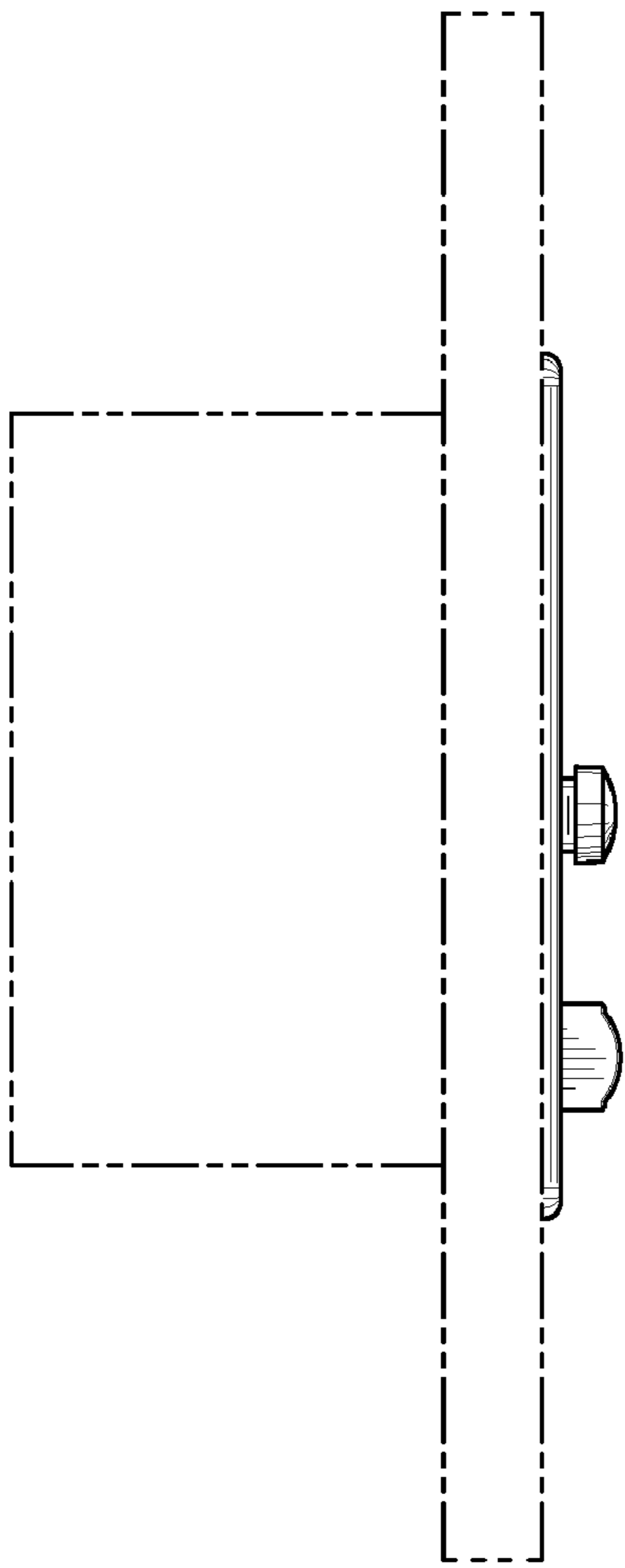


Fig. 3

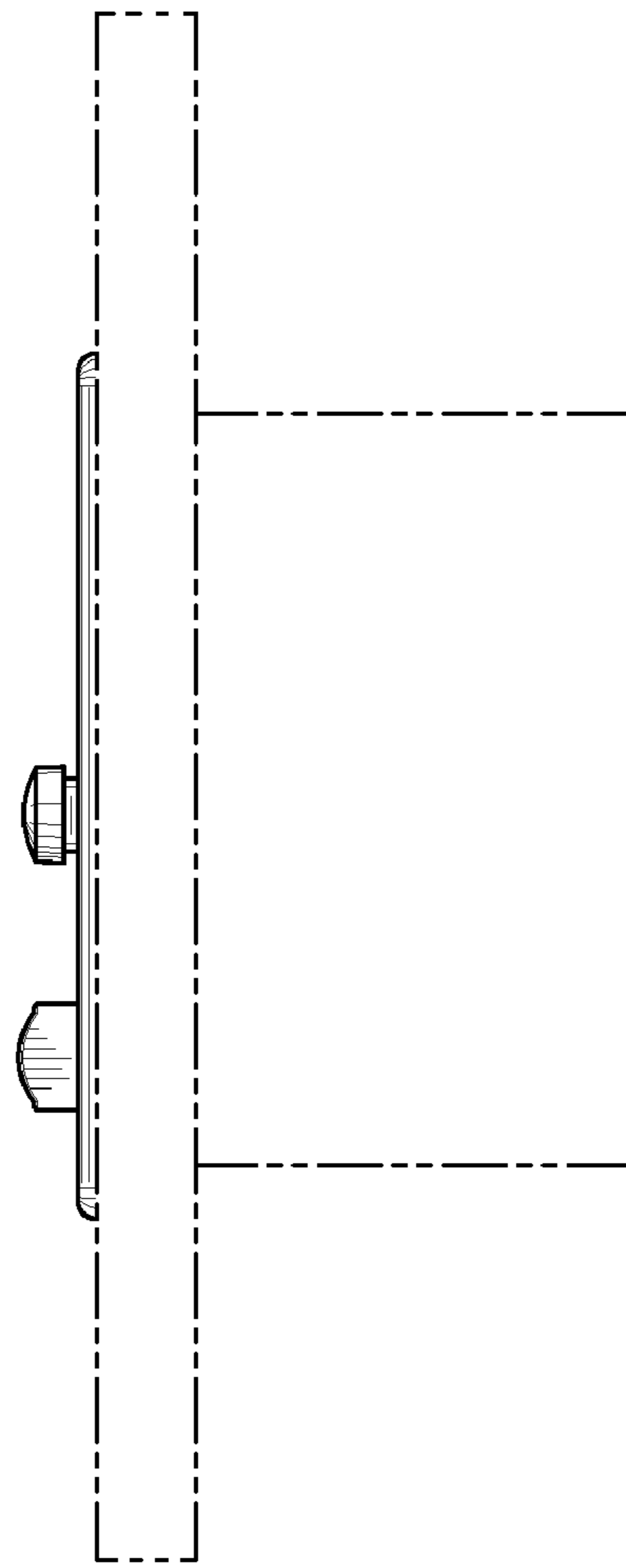


Fig. 4

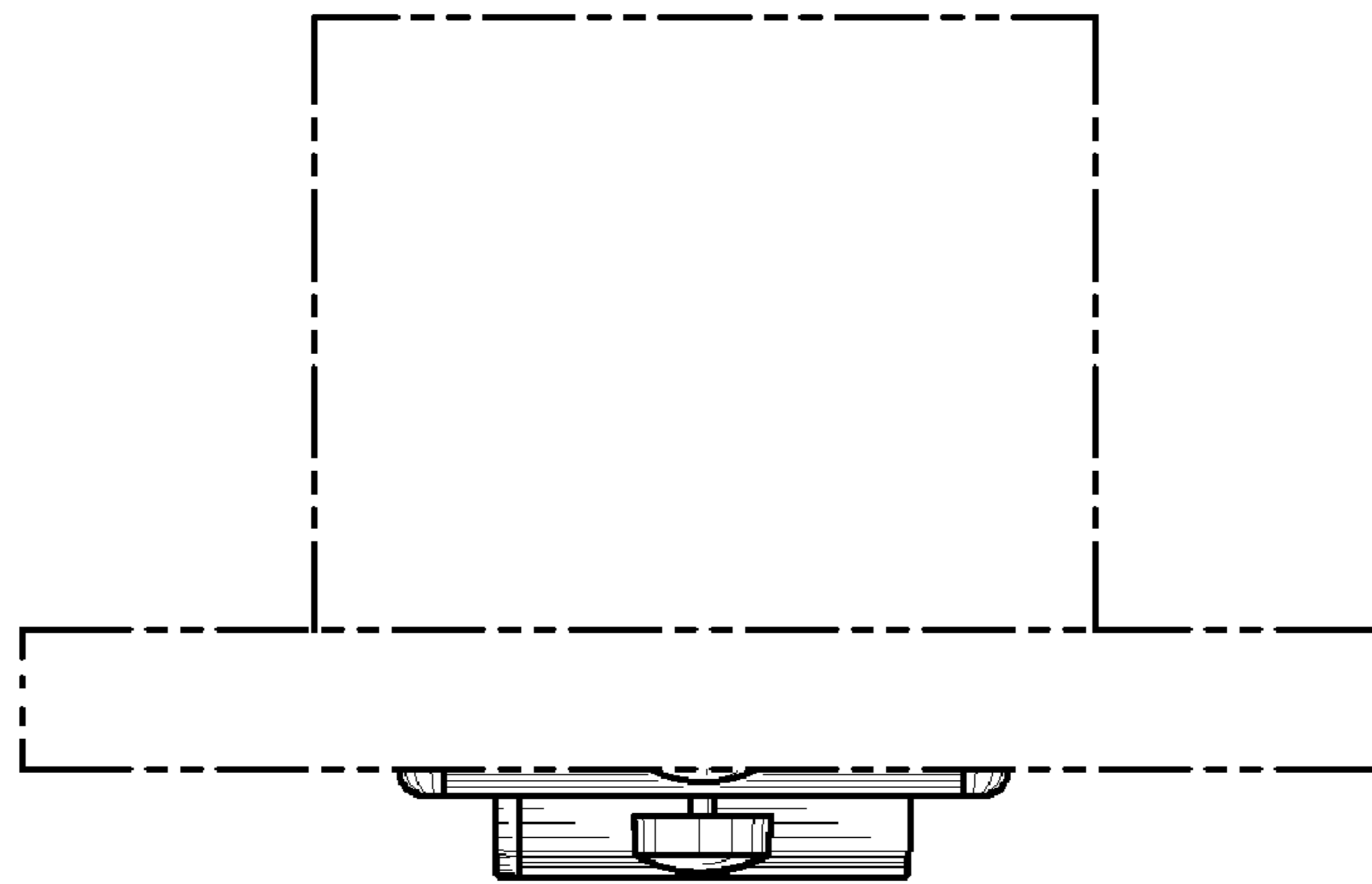


Fig. 5

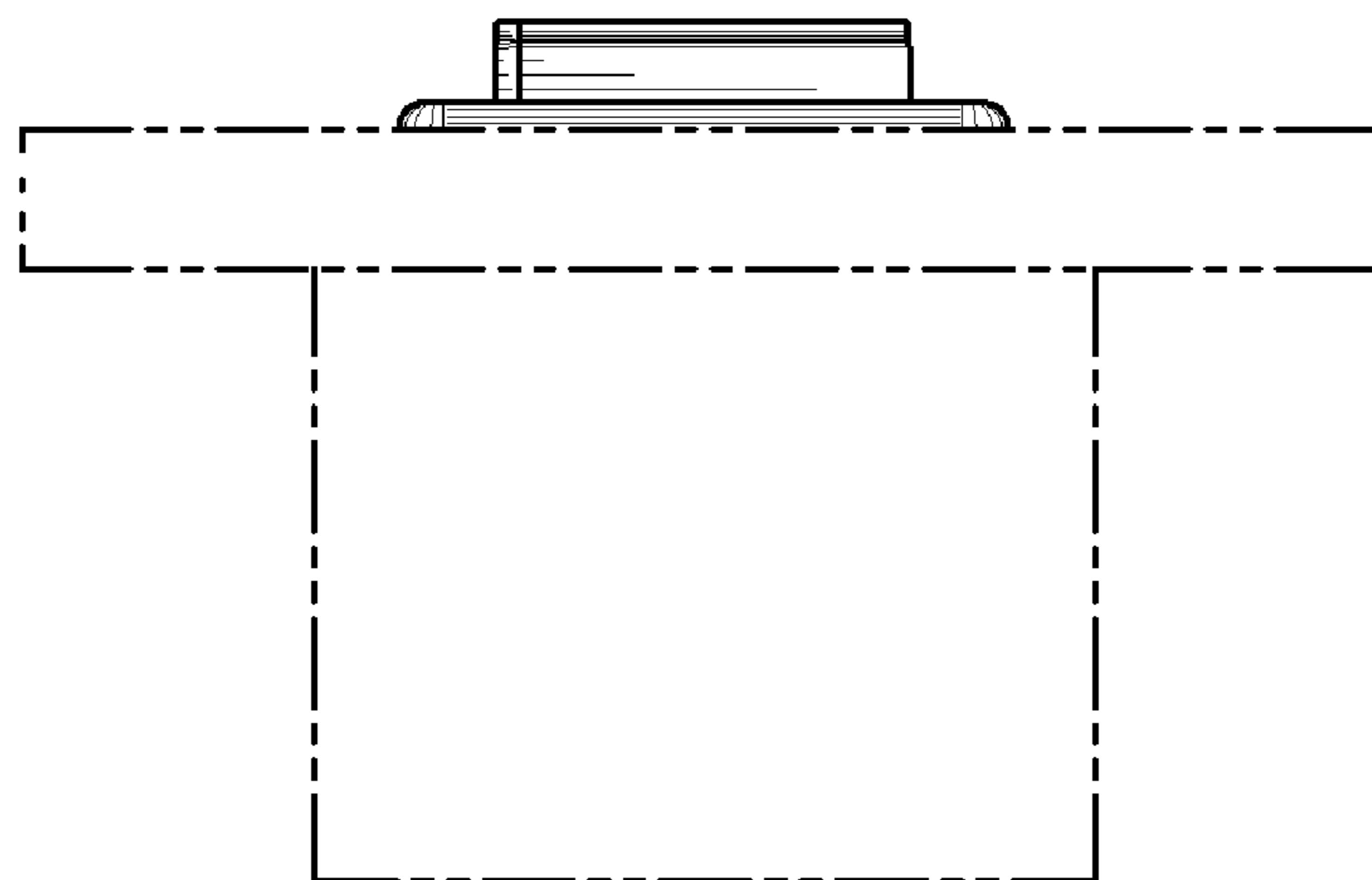


Fig. 6