

US00D566658S

(12) **United States Design Patent**
Mayo et al.

(10) **Patent No.:** **US D566,658 S**
(45) **Date of Patent:** **** Apr. 15, 2008**

(54) **DUAL DIMMER SWITCH**

(75) Inventors: **Noel Mayo**, Philadelphia, PA (US); **Joel S. Spira**, Coopersburg, PA (US)

(73) Assignee: **Lutron Electronics Co., Inc.**, Coopersburg, PA (US)

(**) Term: **14 Years**

(21) Appl. No.: **29/261,701**

(22) Filed: **Jun. 19, 2006**

(51) **LOC (8) Cl.** **13-03**

(52) **U.S. Cl.** **D13/162; D13/170**

(58) **Field of Classification Search** D13/162, D13/169, 170; 174/66; 200/530, 531, 536, 200/252, 293, 333, 335, 329; 338/128, 176; D8/353; 307/116, 125, 139

See application file for complete search history.

(56) **References Cited**

U.S. PATENT DOCUMENTS

3,693,129	A *	9/1972	Shimizu	338/183
4,196,406	A *	4/1980	Salem	333/141
4,246,494	A *	1/1981	Foreman et al.	307/116
4,559,515	A *	12/1985	Takezawa	338/128
4,947,054	A *	8/1990	Flowers et al.	307/125
5,118,910	A *	6/1992	Duhon et al.	200/86 R
5,196,782	A *	3/1993	D'Aleo et al.	323/320
5,338,910	A *	8/1994	Tsai	200/547
D380,451	S *	7/1997	Krajci et al.	D13/170
5,825,279	A *	10/1998	Yagi	338/176
D453,742	S *	2/2002	Butler et al.	D13/164
6,963,040	B1 *	11/2005	Urman	200/310

FOREIGN PATENT DOCUMENTS

EM	000249248-0003	1/2005
EM	000249248-0004	1/2005
EM	000249248-0005	1/2005

* cited by examiner

Primary Examiner—Selina Sikder

(74) *Attorney, Agent, or Firm*—Mark E. Rose

(57) **CLAIM**

We claim the ornamental design for a dual dimmer switch, as shown and described.

DESCRIPTION

FIG. 1 is a perspective view of a dual dimmer switch according to a first embodiment of our new design.

FIG. 2 is a front view thereof.

FIG. 3 is a left side view thereof.

FIG. 4 is a right side view thereof.

FIG. 5 is a top view thereof.

FIG. 6 is a bottom view thereof.

FIG. 7 is a perspective view of a dual dimmer switch according to a second embodiment of our new design.

FIG. 8 is a front view thereof.

FIG. 9 is a left side view thereof.

FIG. 10 is a right side view thereof.

FIG. 11 is a top view thereof.

FIG. 12 is a bottom view thereof.

FIG. 13 is a perspective view of a dual dimmer switch according to a third embodiment of our new design.

FIG. 14 is a front view thereof.

FIG. 15 is a left side view thereof.

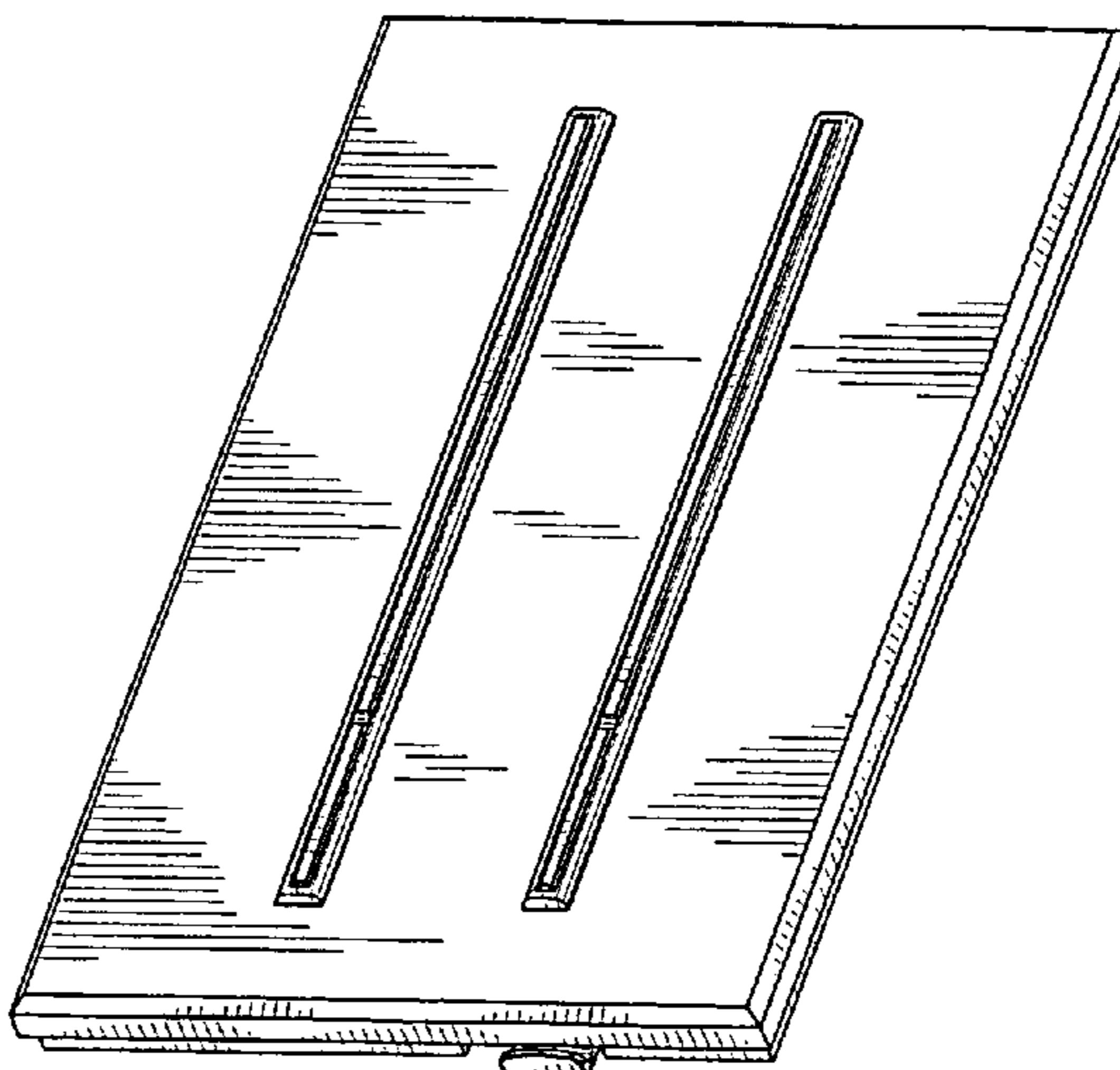
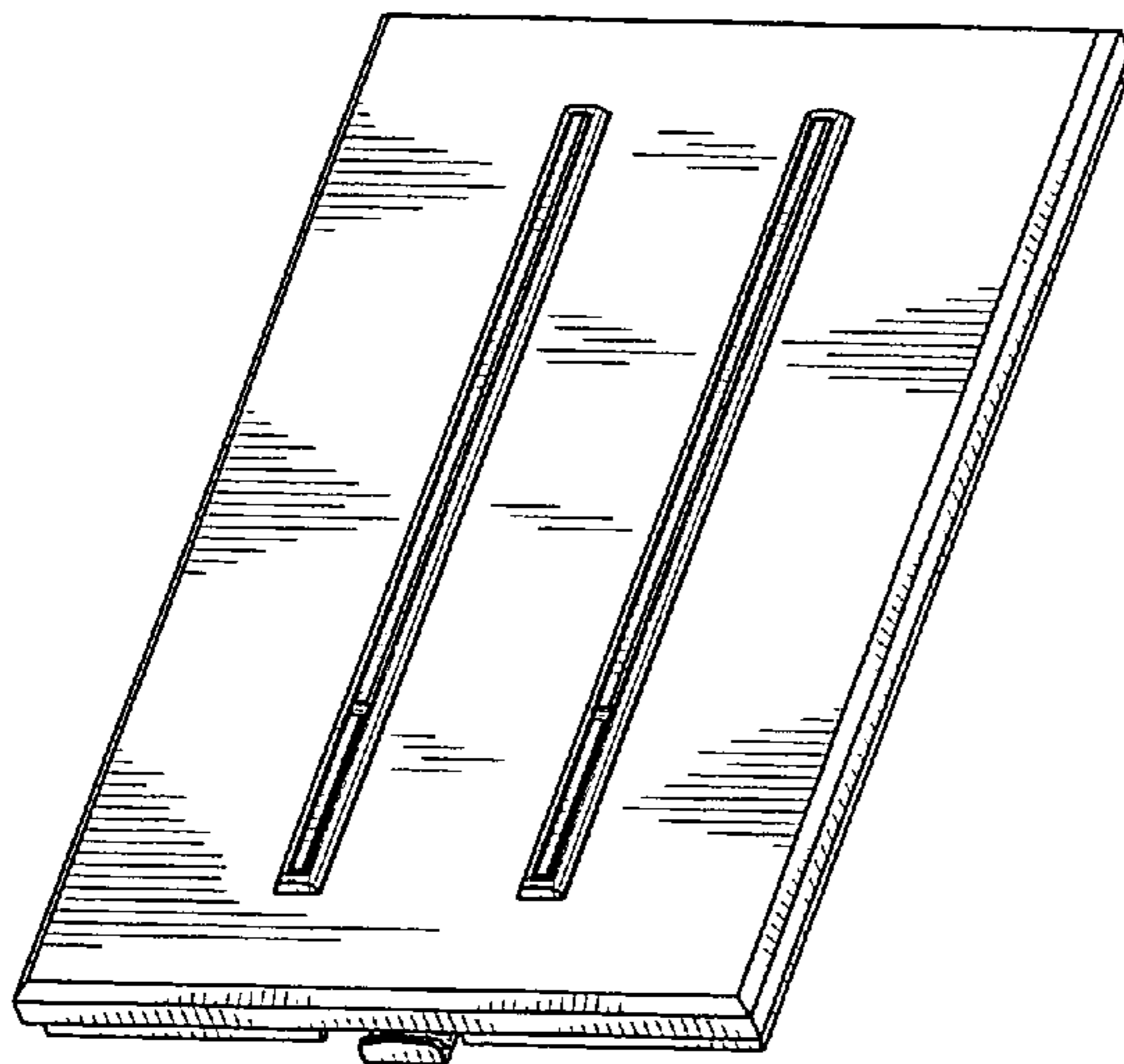
FIG. 16 is a right side view thereof.

FIG. 17 is a top view thereof; and,

FIG. 18 is a bottom view thereof.

The rear views form no part of the design and are omitted. The portions of the drawings appearing in broken line are for environment only and do not form a part of the design.

1 Claim, 12 Drawing Sheets



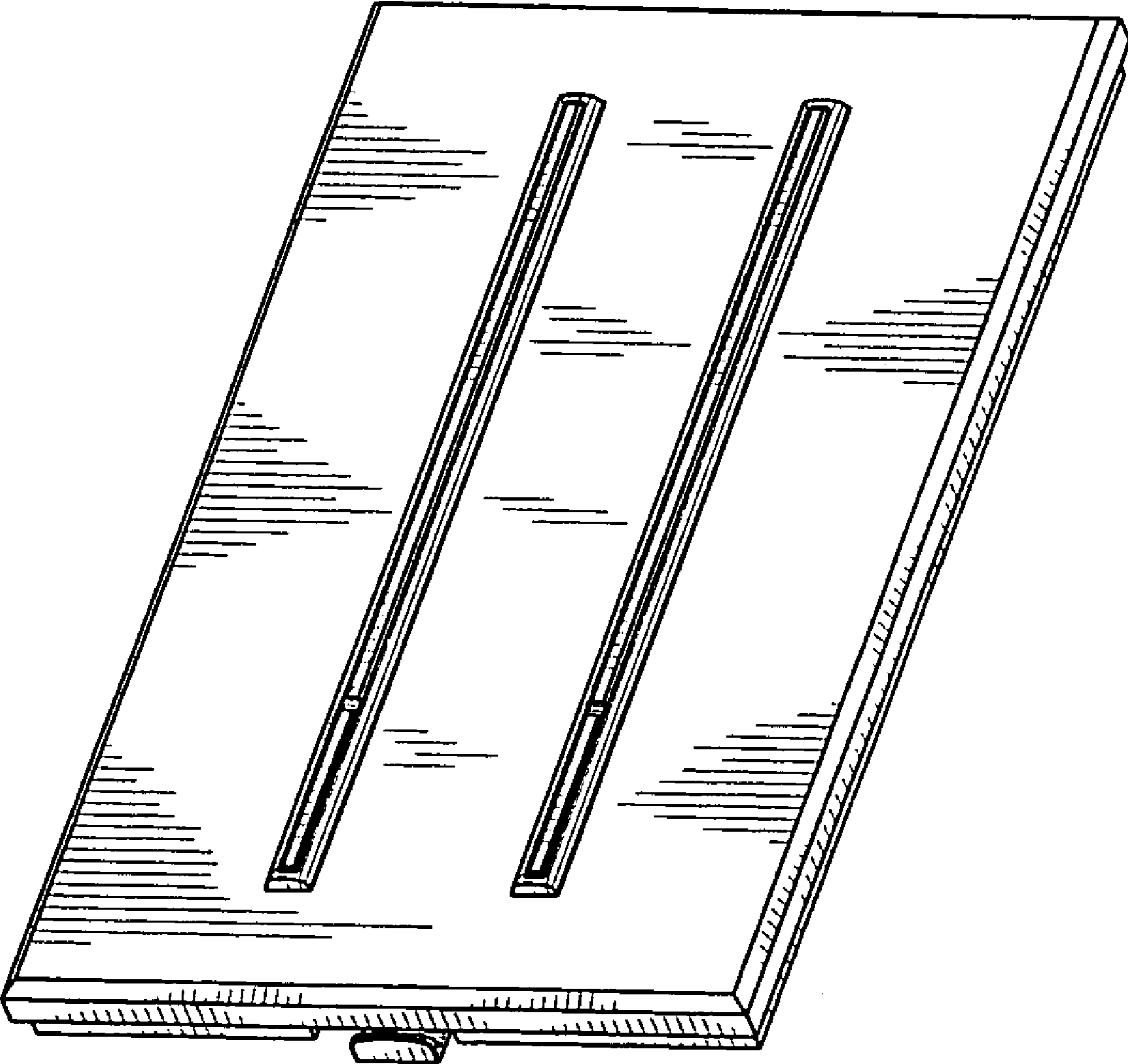


Fig. 1

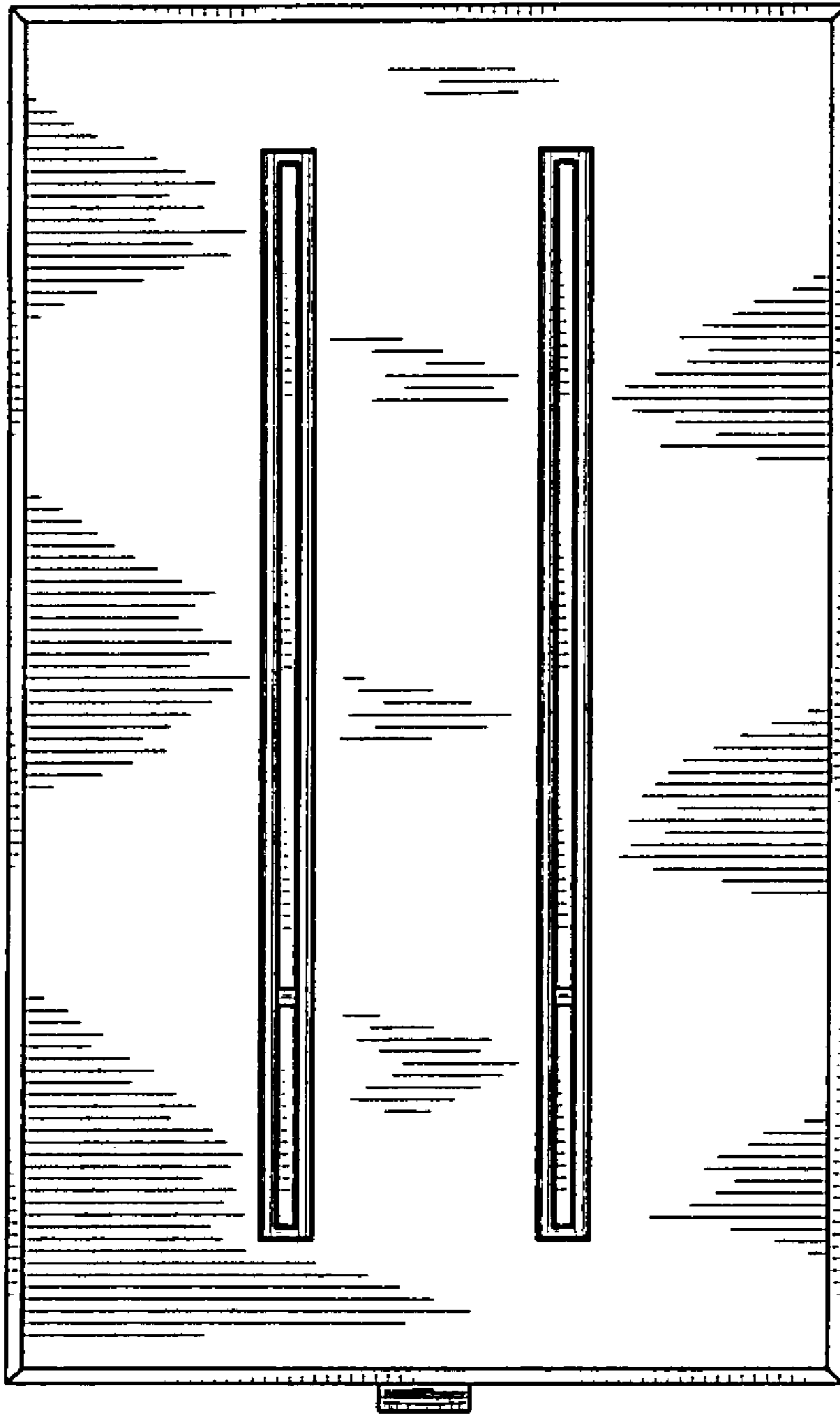


Fig. 2

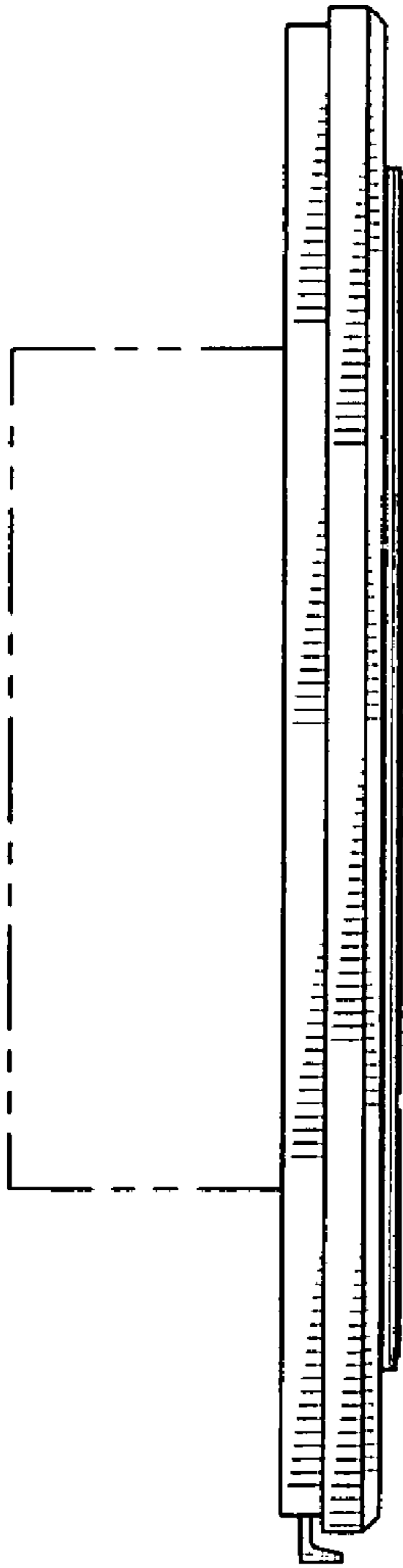


Fig. 3

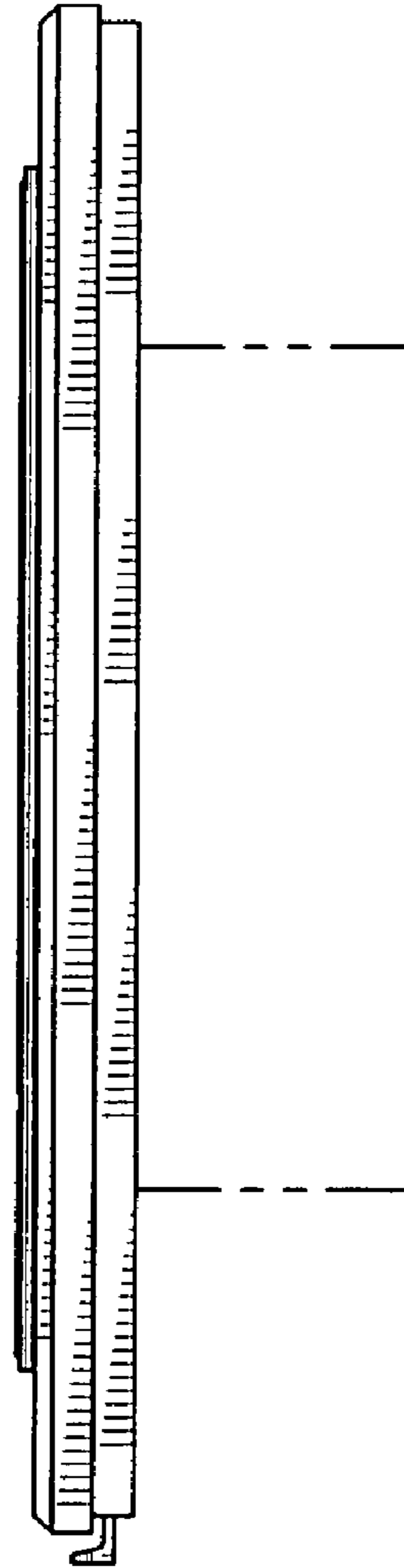


Fig. 4

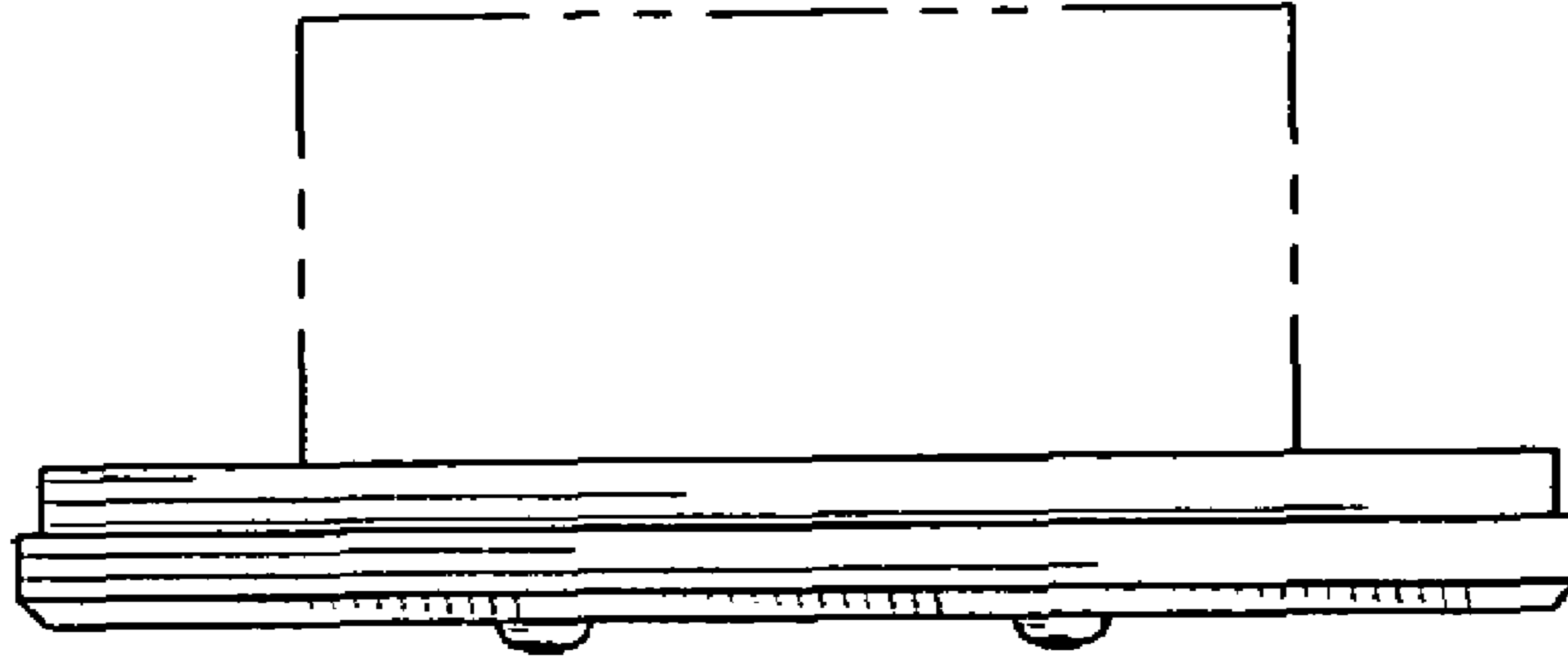


Fig. 5

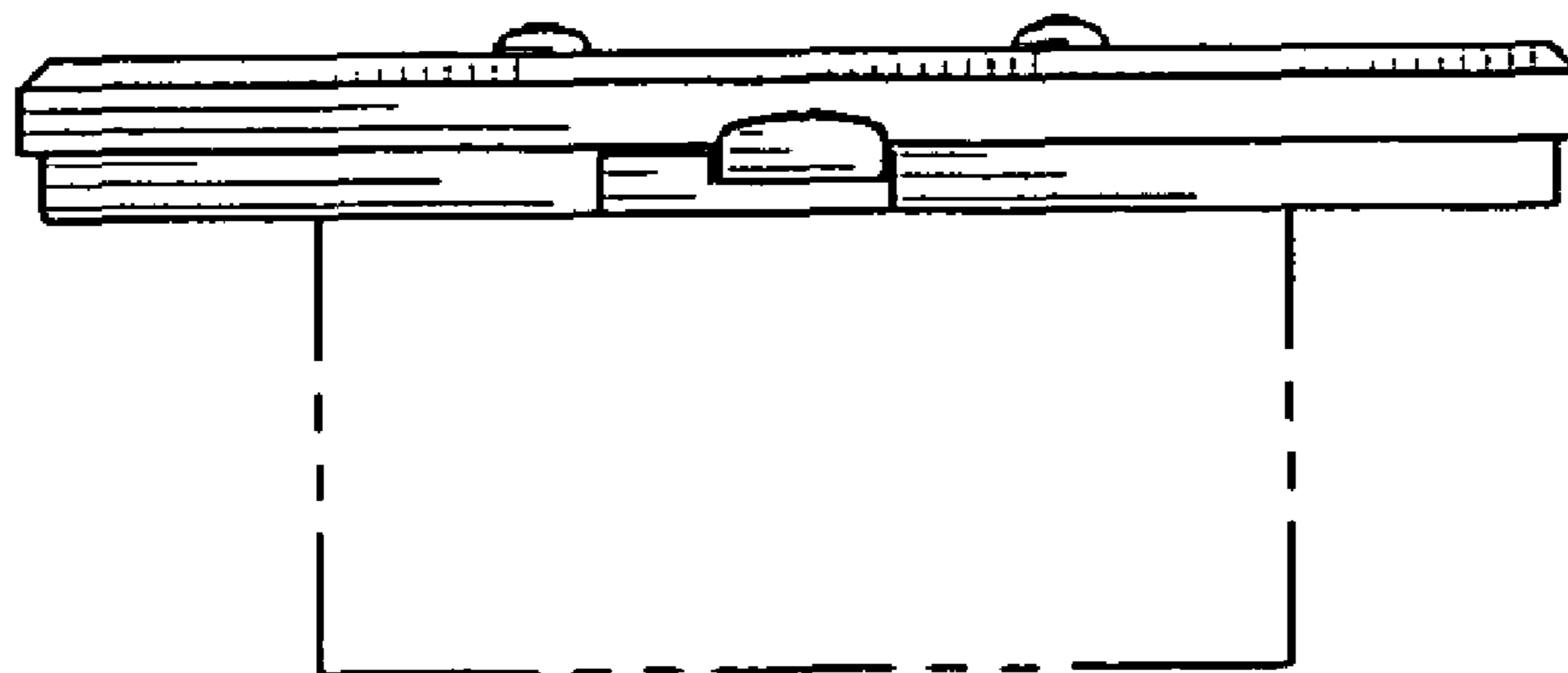


Fig. 6

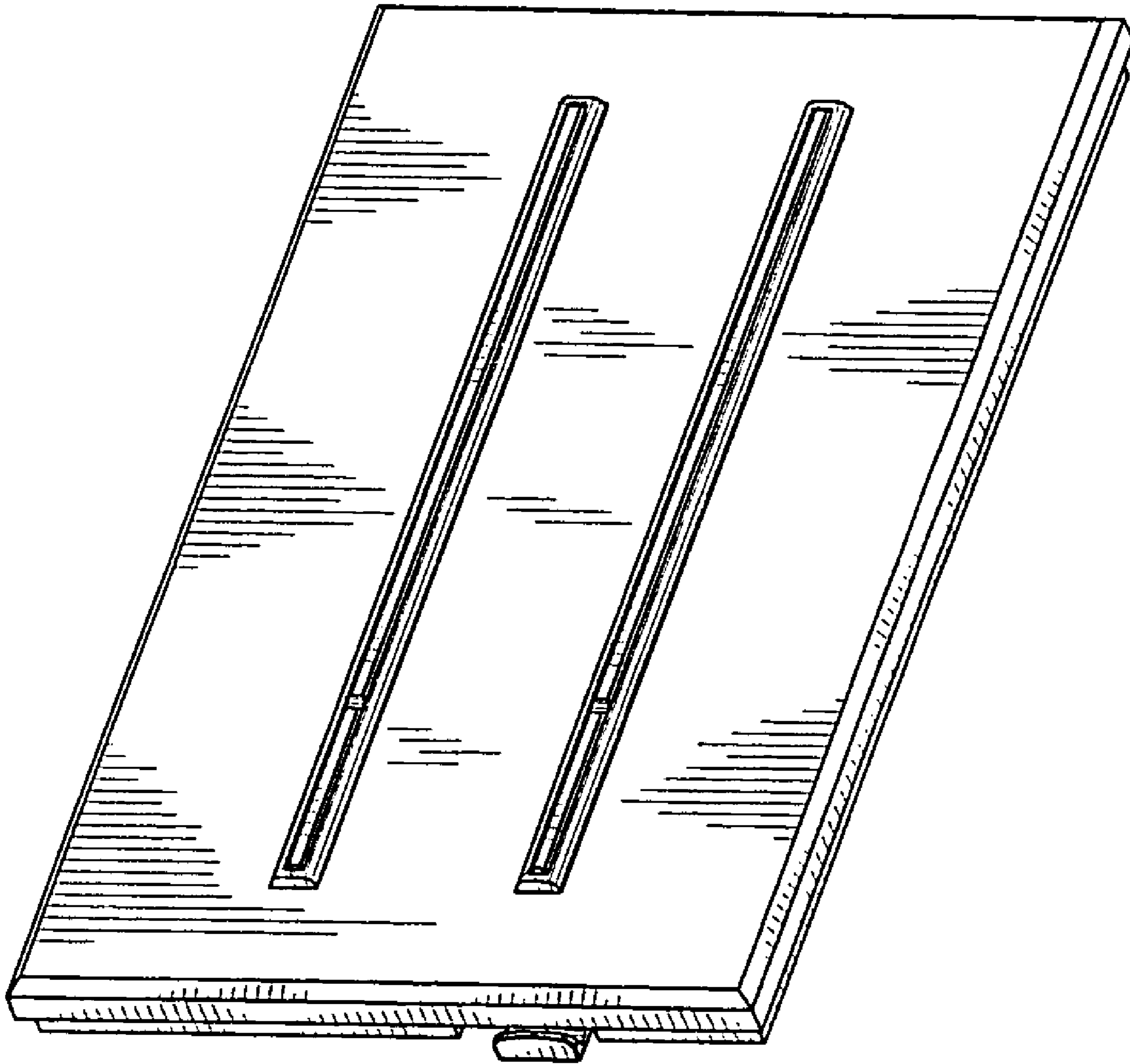


Fig. 7

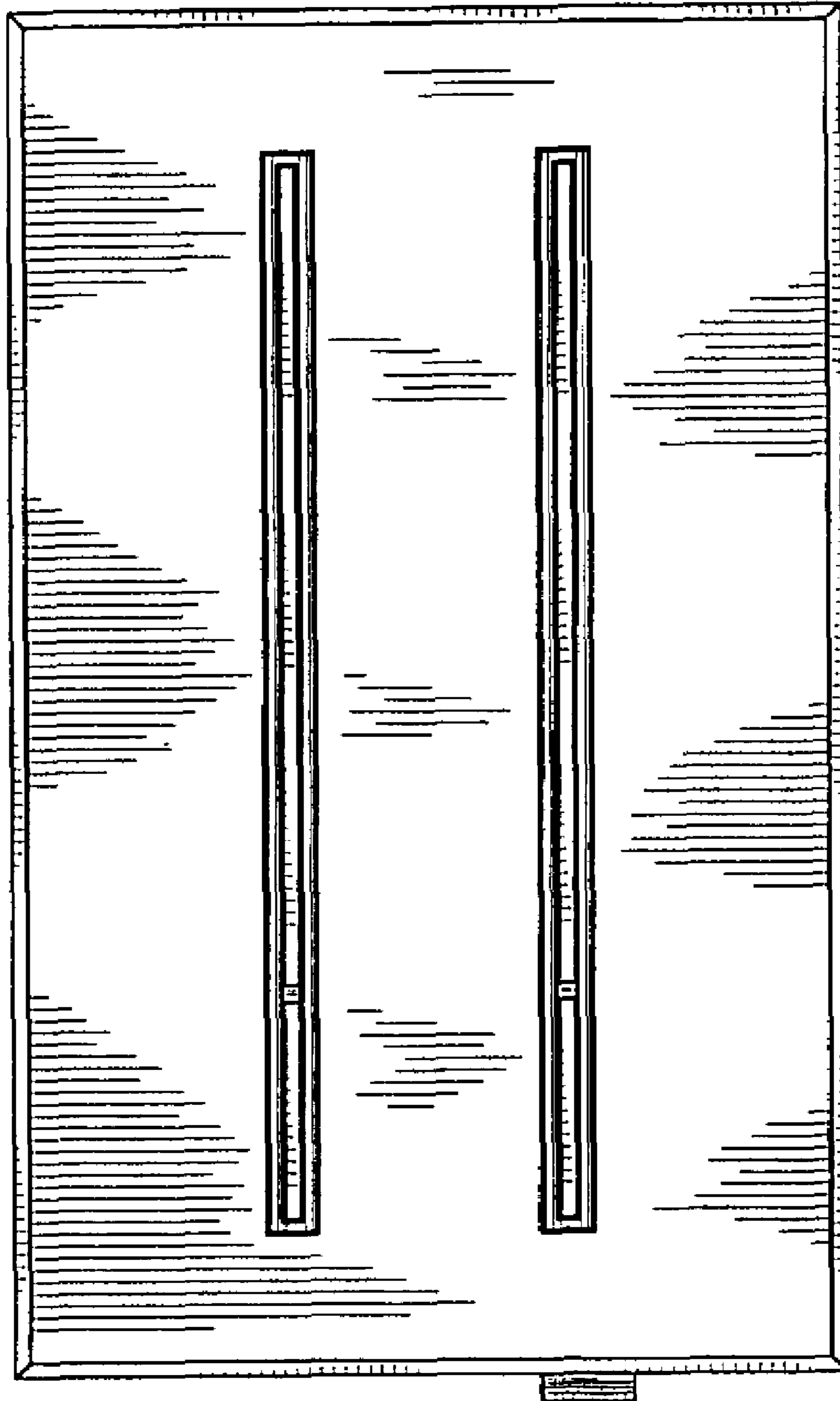


Fig. 8

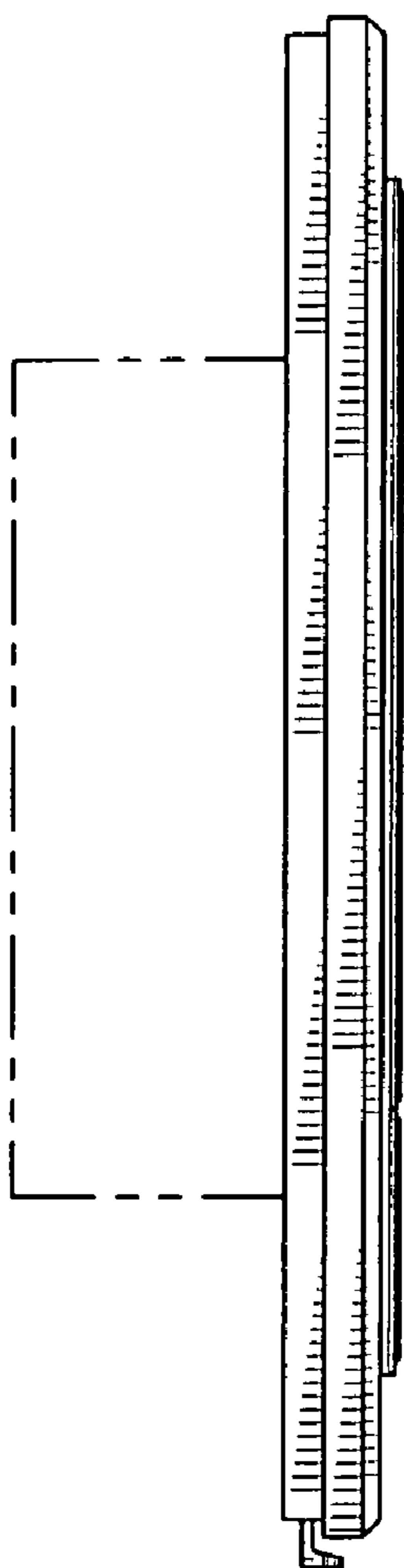


Fig. 9

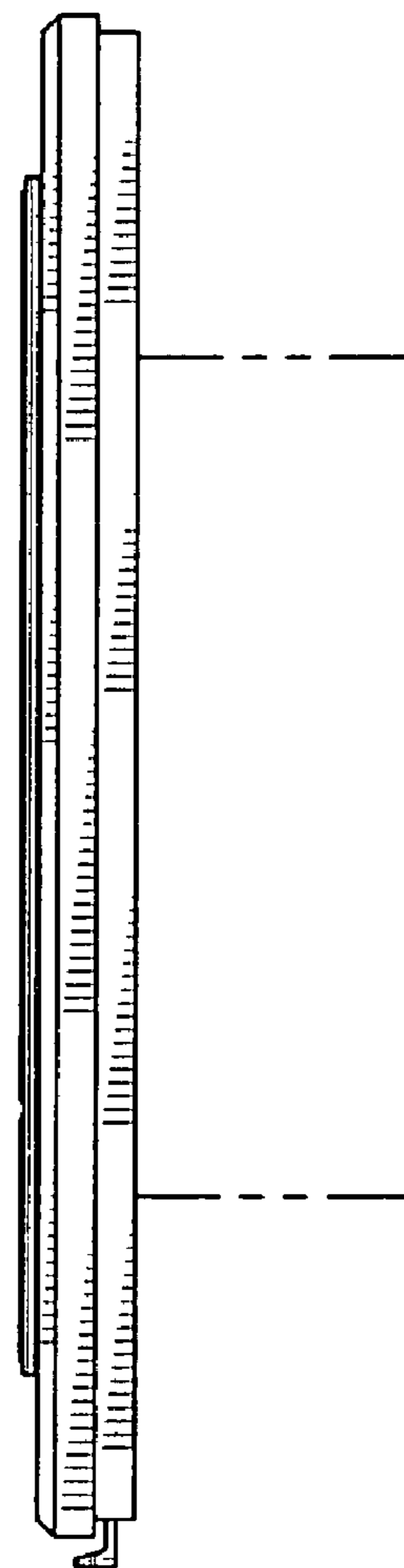


Fig. 10

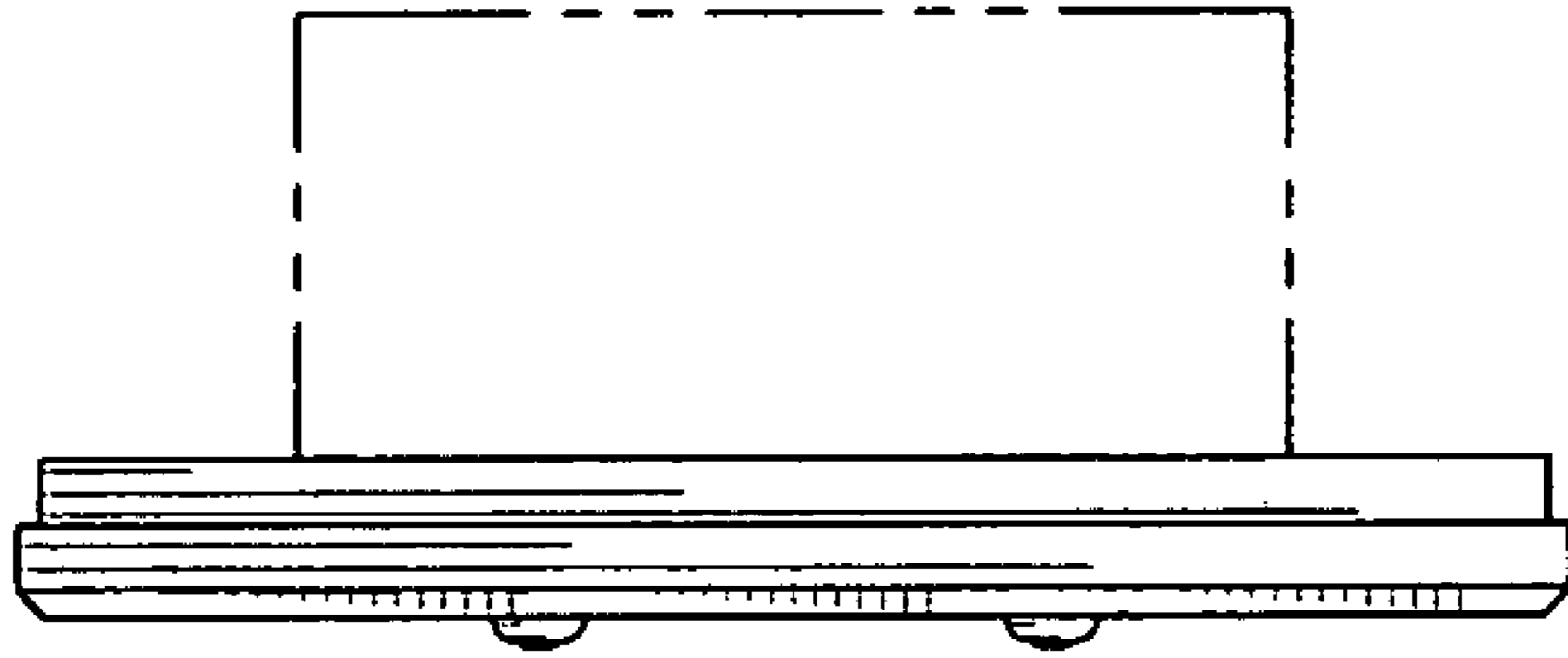


Fig. 11

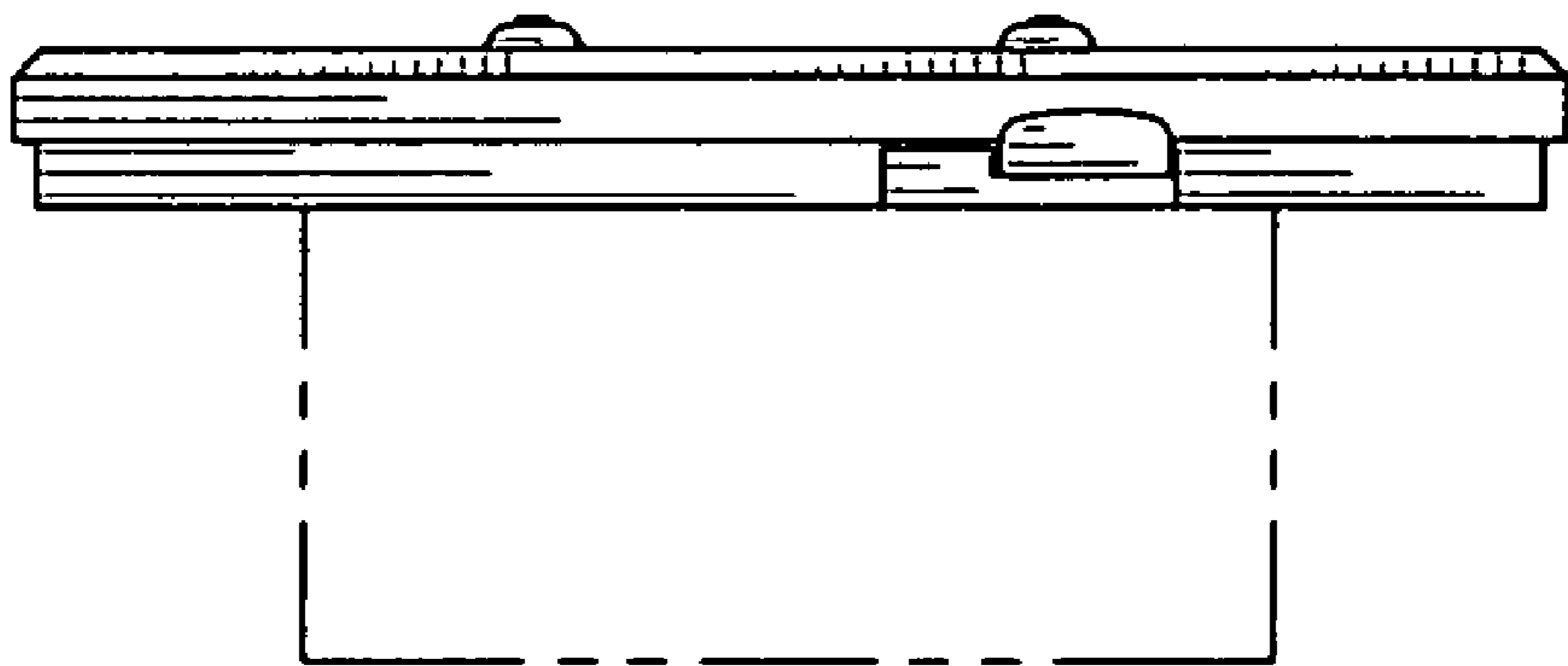


Fig. 12

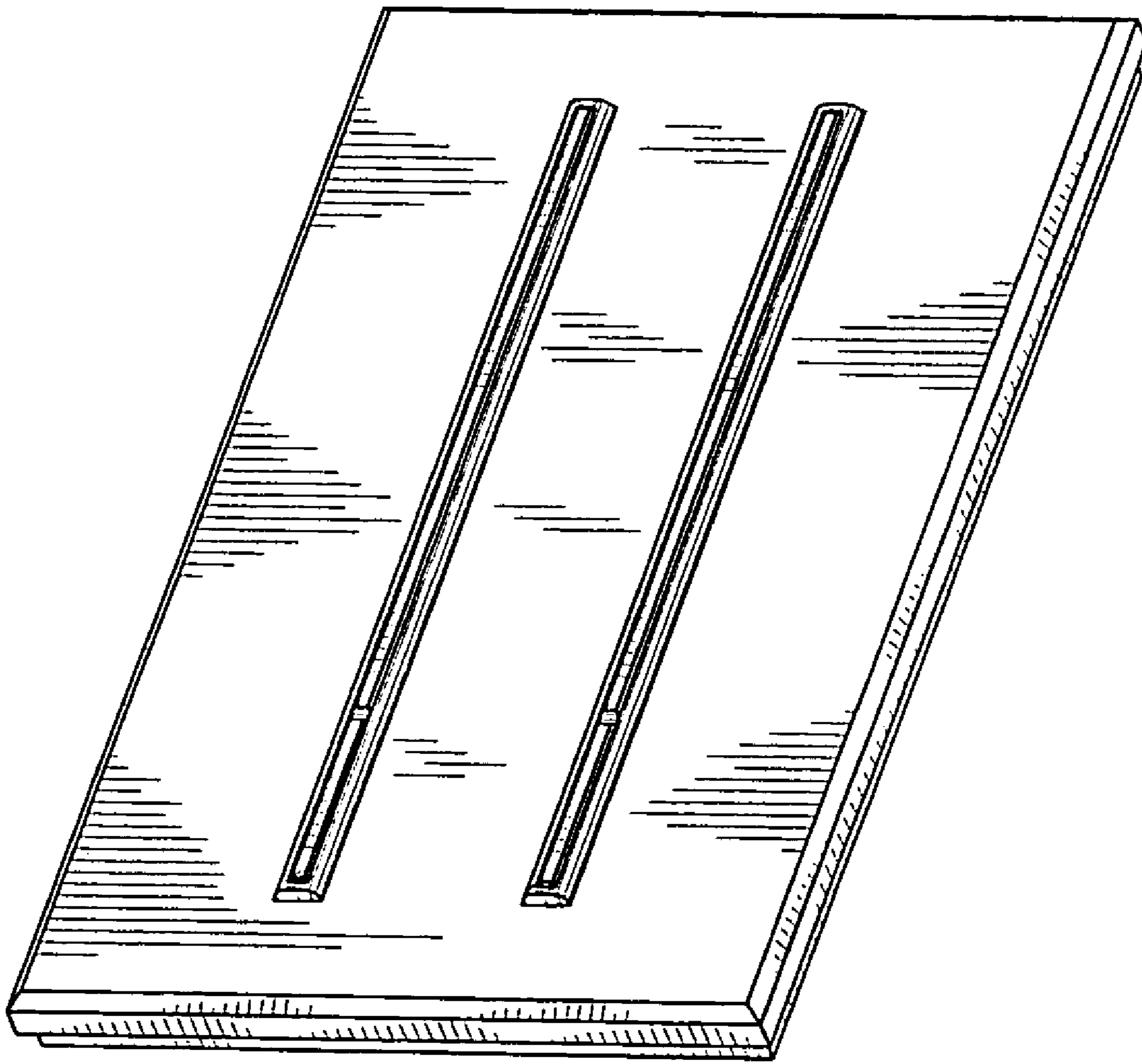


Fig. 13

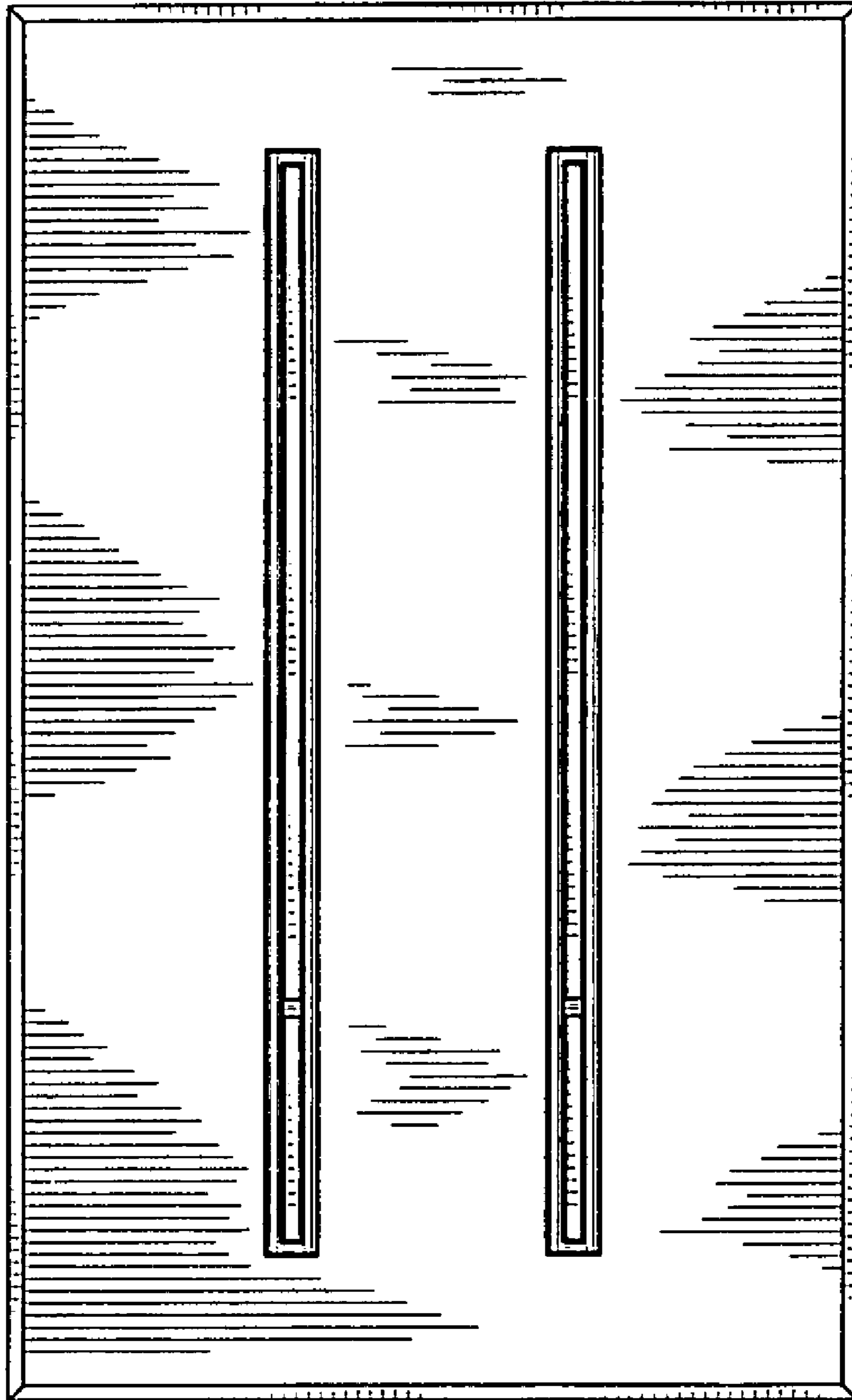


Fig. 14



Fig. 15

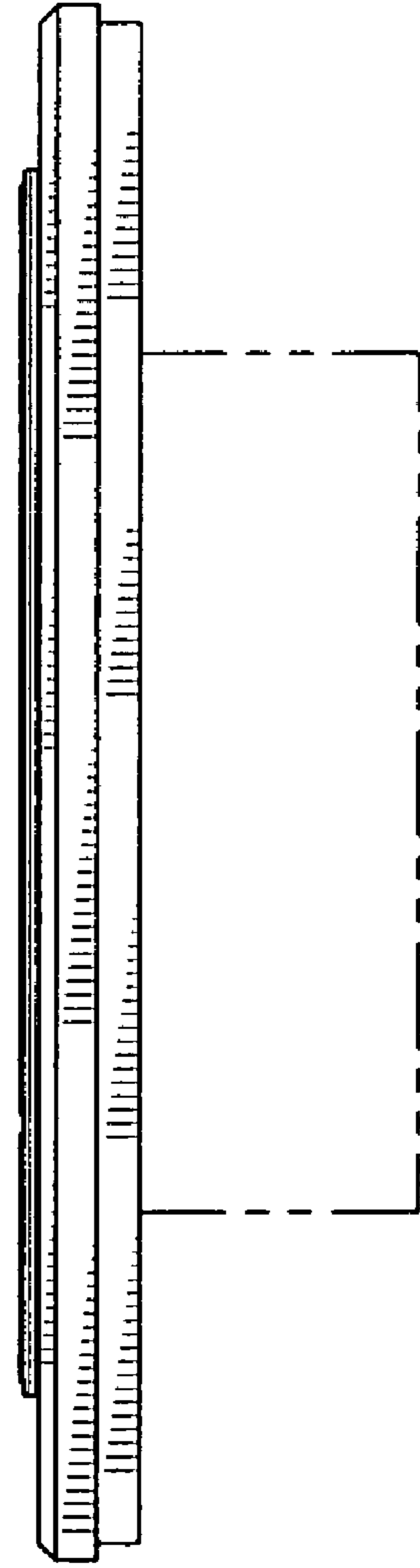


Fig. 16

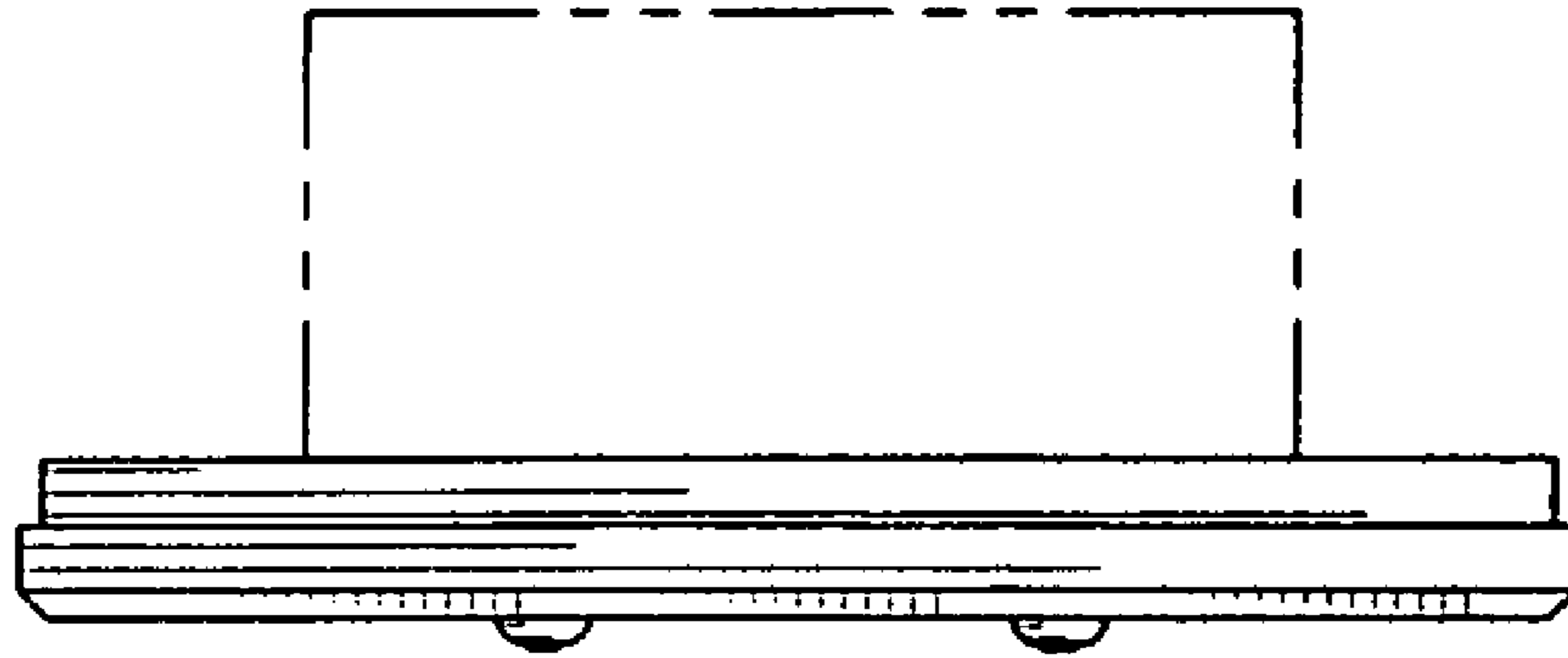


Fig. 17

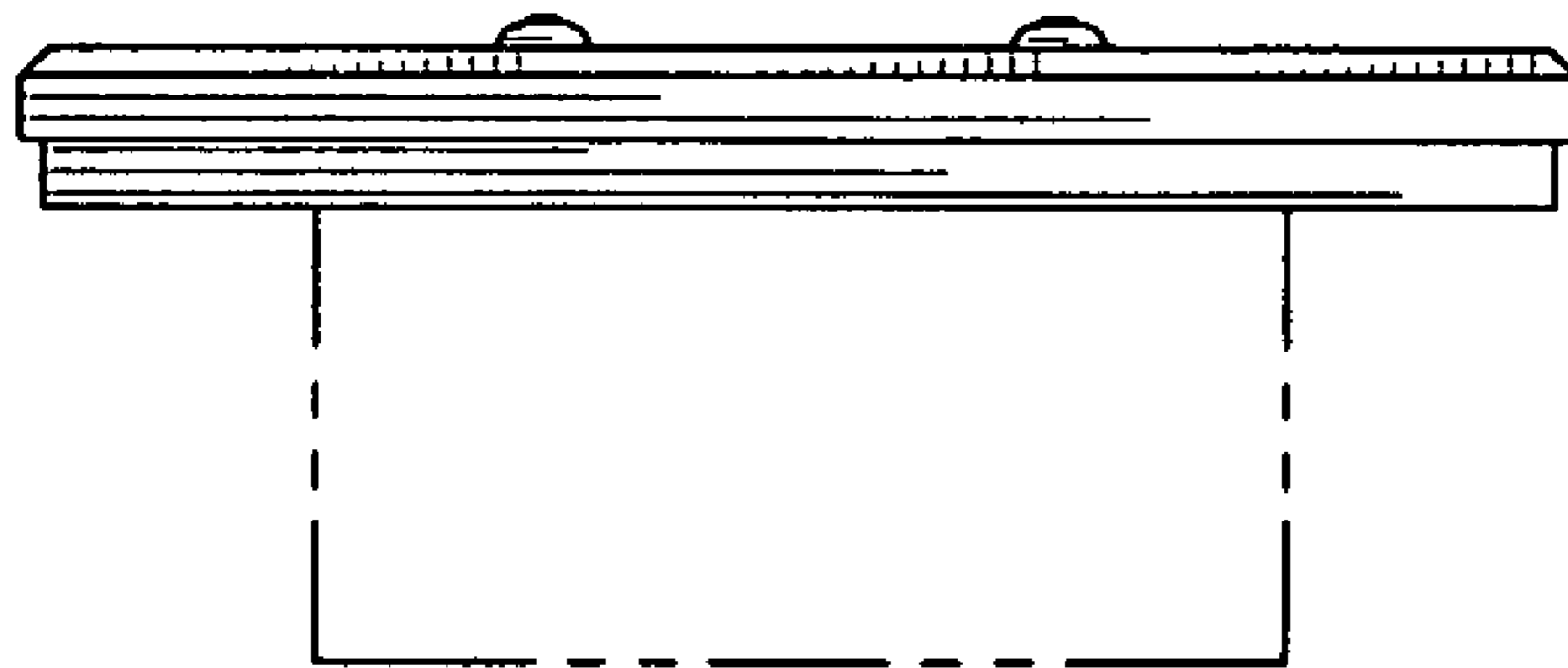


Fig. 18