



US00D566657S

(12) **United States Design Patent**
Shen et al.

(10) **Patent No.:** **US D566,657 S**

(45) **Date of Patent:** **** Apr. 15, 2008**

(54) **PORTION OF A JUNCTION BOX**

(75) Inventors: **Raymond Shen**, Peachtree City, GA (US); **Matthew William Conger**, East Point, GA (US); **Christian David Baker**, Peachtree City, GA (US); **Christopher Gerard Ladewig**, Fayetteville, GA (US)

(73) Assignee: **Cooper Technologies Company**, Houston, TX (US)

(**) Term: **14 Years**

(21) Appl. No.: **29/260,340**

(22) Filed: **May 23, 2006**

(51) **LOC (8) Cl.** **13-03**

(52) **U.S. Cl.** **D13/152**

(58) **Field of Classification Search** D13/139.4, D13/152, 156, 184; 174/50, 53-55, 58, 60, 174/66, 67; 220/3.2, 3.3, 3.7-3.9, 241, 242, 220/244, 315; 439/135, 136, 138, 142, 367, 439/373, 535, 536, 537, 541, 892, 938
See application file for complete search history.

(56) **References Cited**

U.S. PATENT DOCUMENTS

2,324,738 A * 7/1943 Stieglitz 220/242
2,415,357 A * 2/1947 Kucki 220/315
3,334,770 A * 8/1967 Stanback 220/326

(Continued)

OTHER PUBLICATIONS

Arlington Industries, Inc., Inbox™ catalog product sheets, 2005 (5 pages).
Arlington Industries, Inc., FXC3 Protector Tube product sheet, 2005 (1 page).
Arlington Industries, Inc., Inbox™, advertisement, 2005 (1 page).
Arlington Industries, Inc., 2 photographs of vinyl products in the field, May 2005 (1 page).

Primary Examiner—Cathron Brooks

Assistant Examiner—Rosemary K Tarcza

(74) *Attorney, Agent, or Firm*—SAIDMAN DesignLaw Group

(57) **CLAIM**

The ornamental design for a portion of a junction box, as shown and described.

DESCRIPTION

FIG. 1 is a perspective view of a first embodiment of a portion of a junction box showing our new design;

FIG. 2 is a front view thereof;

FIG. 3 is a side view thereof;

FIG. 4 is a top view thereof;

FIG. 5 is a bottom view thereof;

FIG. 6 is a perspective view of a second embodiment thereof;

FIG. 7 is a front view thereof;

FIG. 8 is a side view thereof;

FIG. 9 is a top view thereof;

FIG. 10 is a bottom view thereof;

FIG. 11 is a perspective view of a third embodiment thereof;

FIG. 12 is a front view thereof;

FIG. 13 is a side view thereof;

FIG. 14 is a top view thereof;

FIG. 15 is a bottom view thereof;

FIG. 16 is a perspective view of a fourth embodiment thereof;

FIG. 17 is a front view thereof;

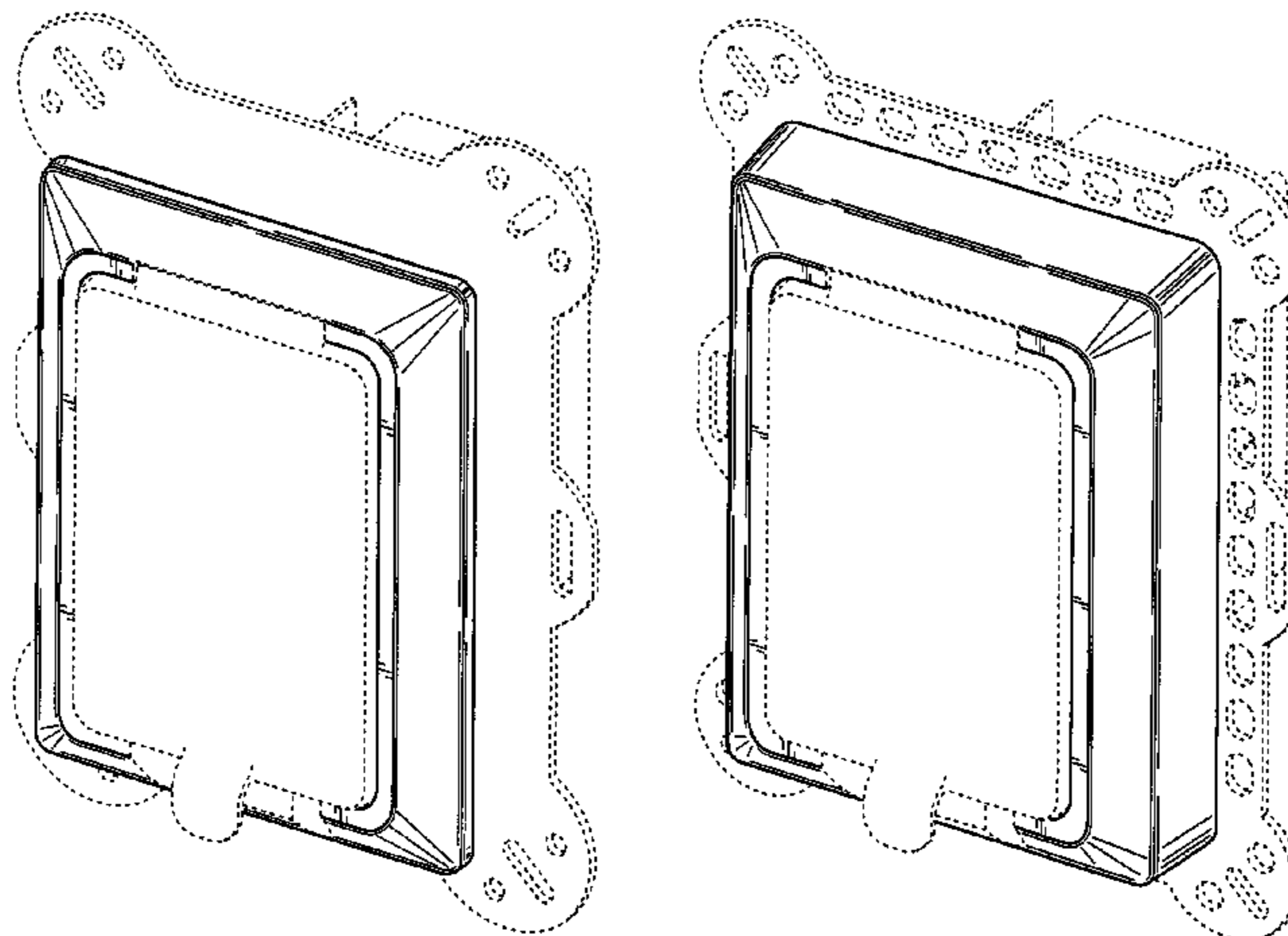
FIG. 18 is a side view thereof;

FIG. 19 is a top view thereof; and,

FIG. 20 is a bottom view thereof.

The broken lines are environmental and form no part of the claimed design.

1 Claim, 12 Drawing Sheets



US D566,657 S

Page 2

U.S. PATENT DOCUMENTS

3,477,609	A *	11/1969	Winkler, Jr.	220/784	6,051,786	A	4/2000	Gretz	
4,079,880	A *	3/1978	Edwards	220/4.21	D450,665	S *	11/2001	Isely et al.	D13/184
4,875,318	A	10/1989	MacLeod et al.		6,355,882	B1	3/2002	Gretz	
D306,583	S *	3/1990	Krolopp et al.	D14/137	6,806,426	B1	10/2004	Gretz	
4,920,708	A	5/1990	MacLeod et al.		D499,330	S *	12/2004	Peato	D8/383
5,326,060	A	7/1994	Chubb et al.		6,956,171	B1	10/2005	Gretz	
5,549,266	A	8/1996	Mitchell et al.		6,965,078	B1	11/2005	Gretz	
5,722,208	A	3/1998	Humphrey et al.		2007/0261872	A1 *	11/2007	Schmieta et al.	174/66
D419,966	S *	2/2000	Mowery et al.	D13/184					

* cited by examiner

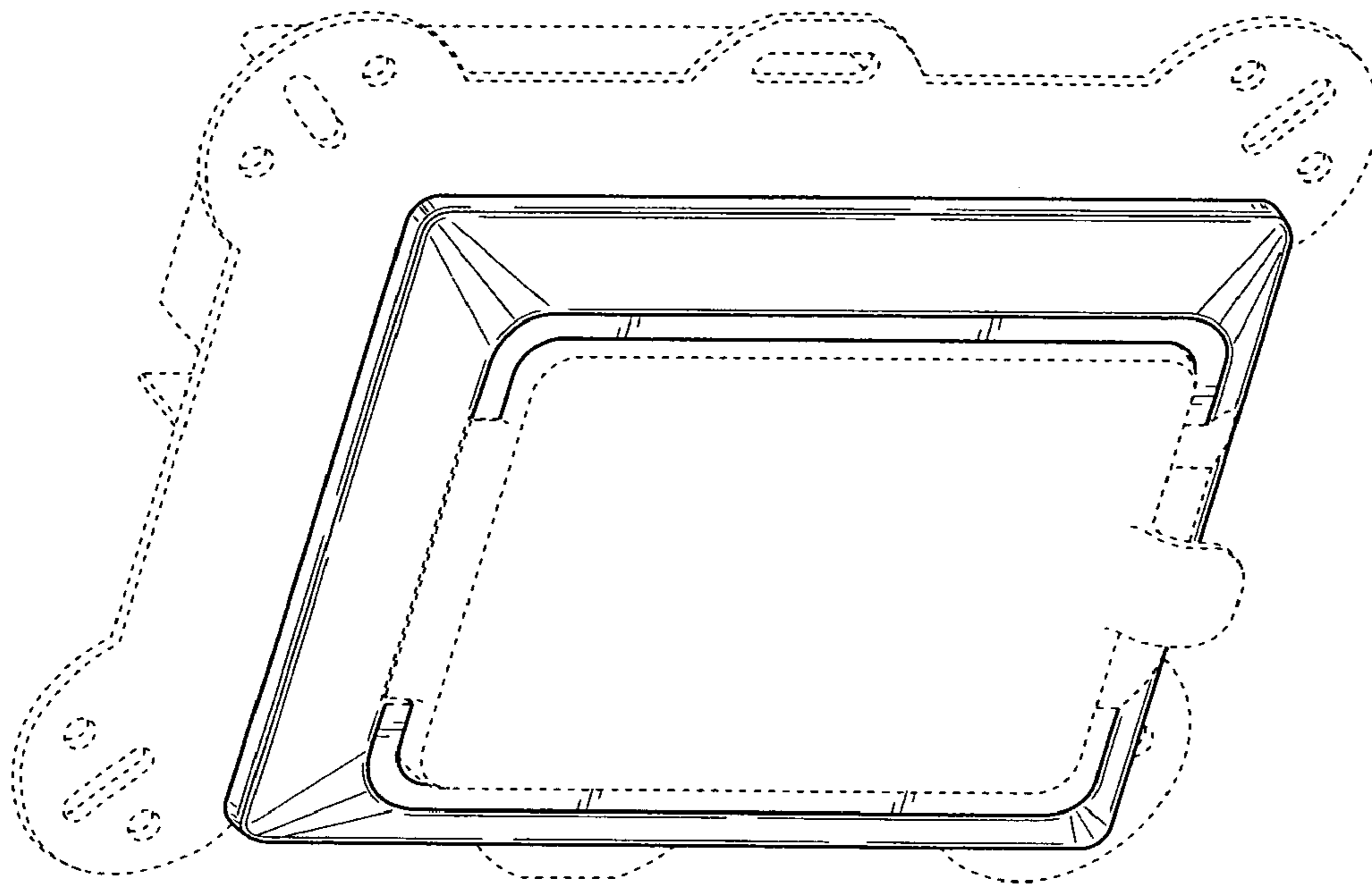


Fig. 1

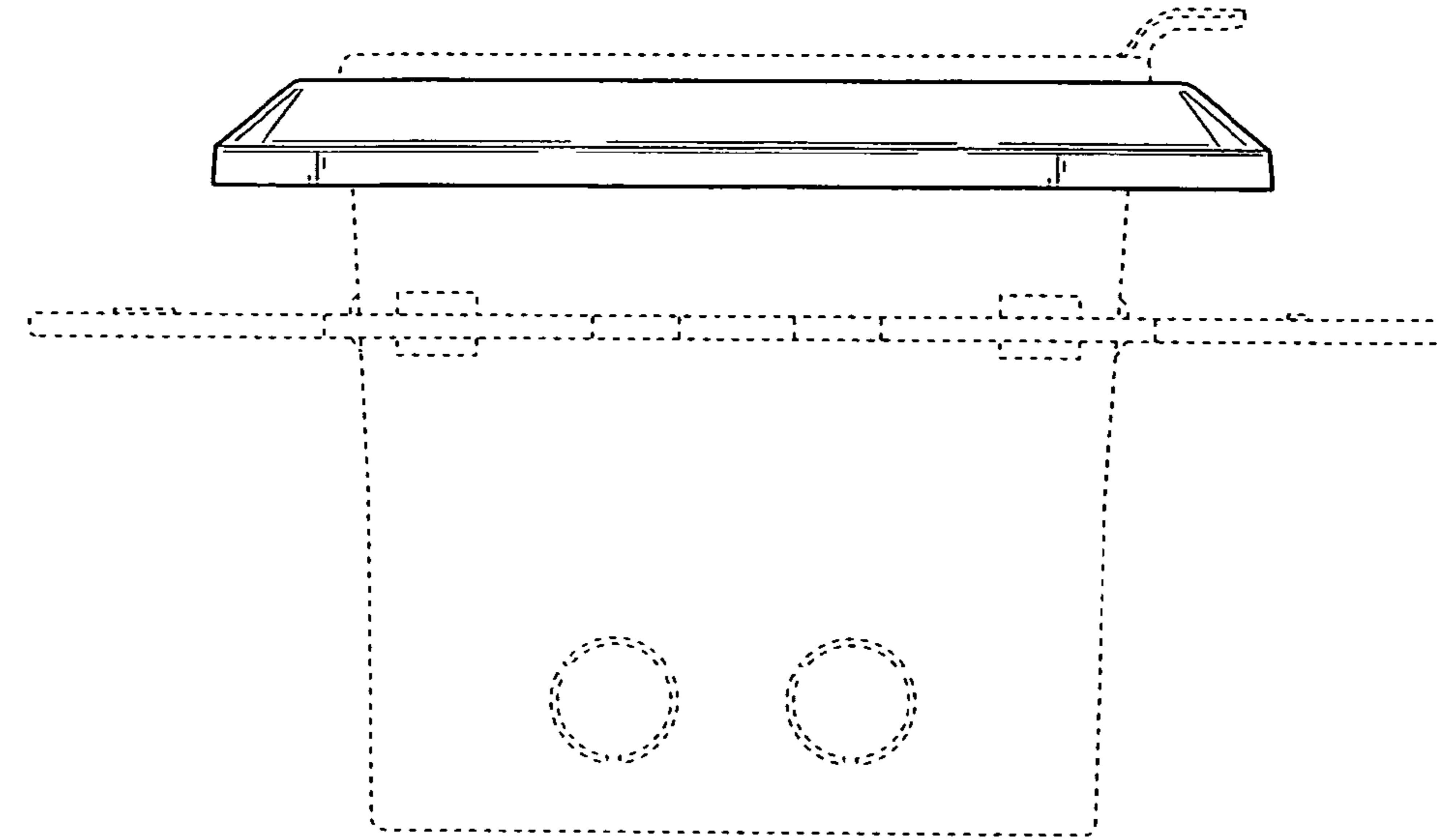


Fig. 3

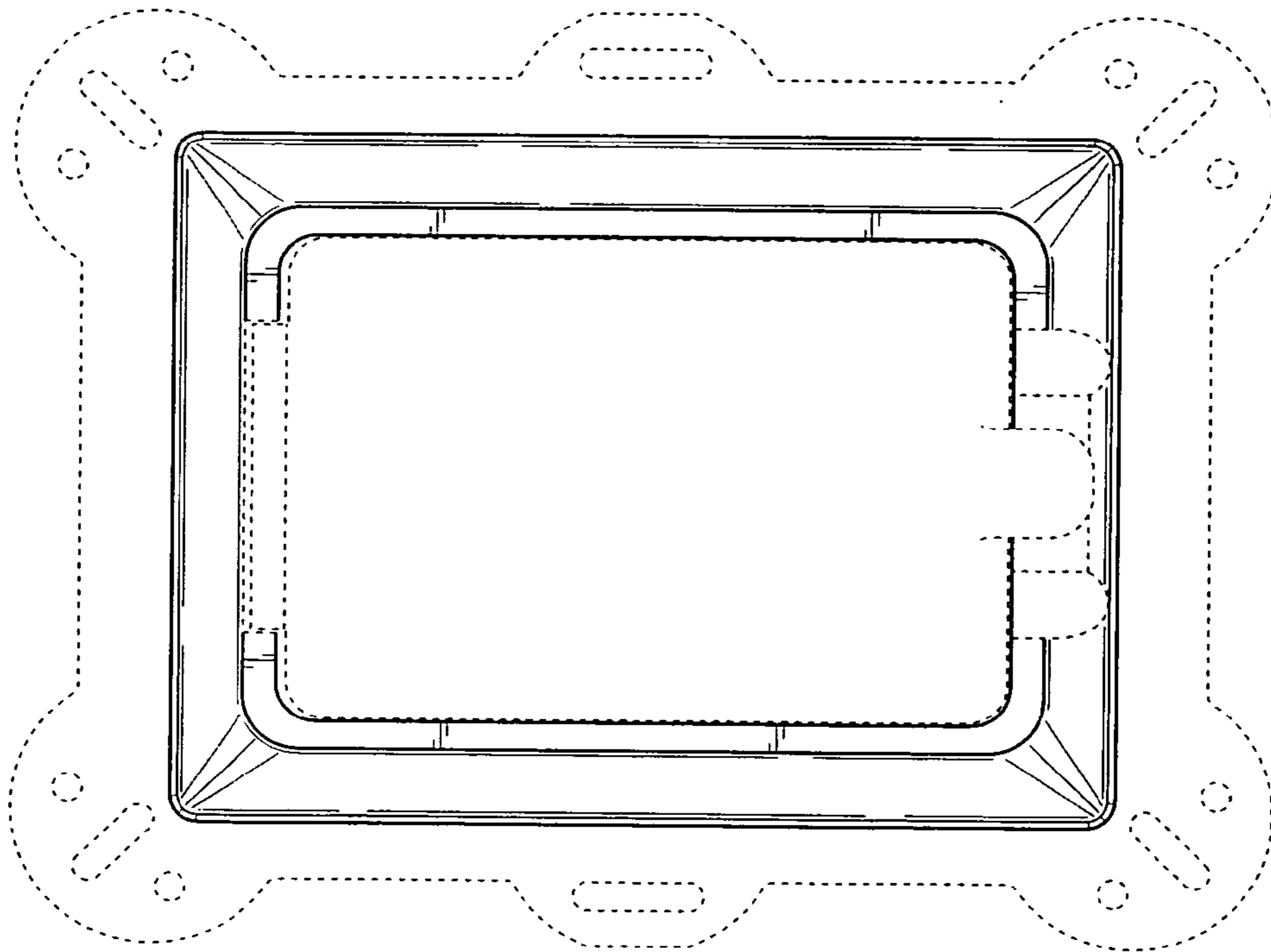


Fig. 2

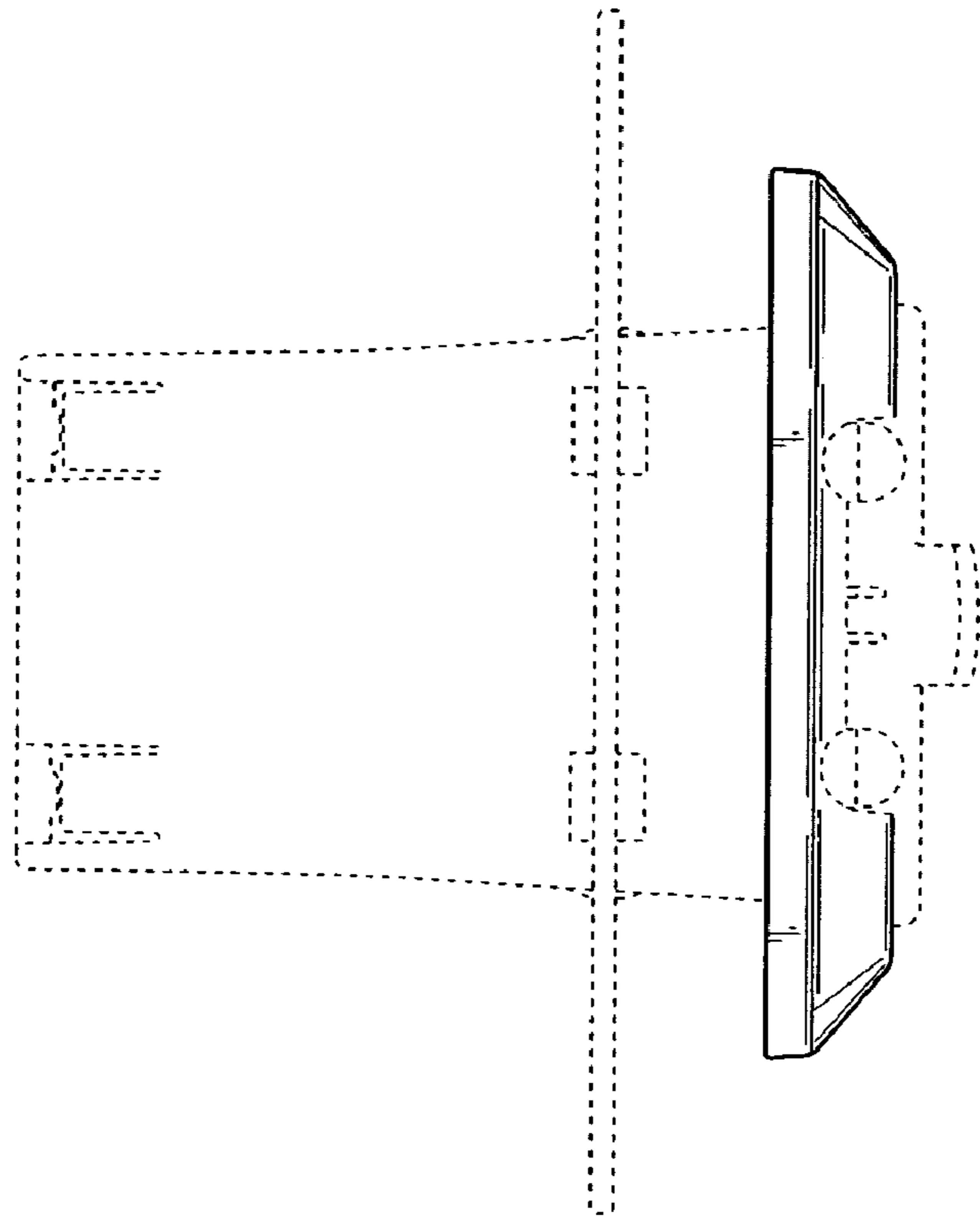


Fig. 4

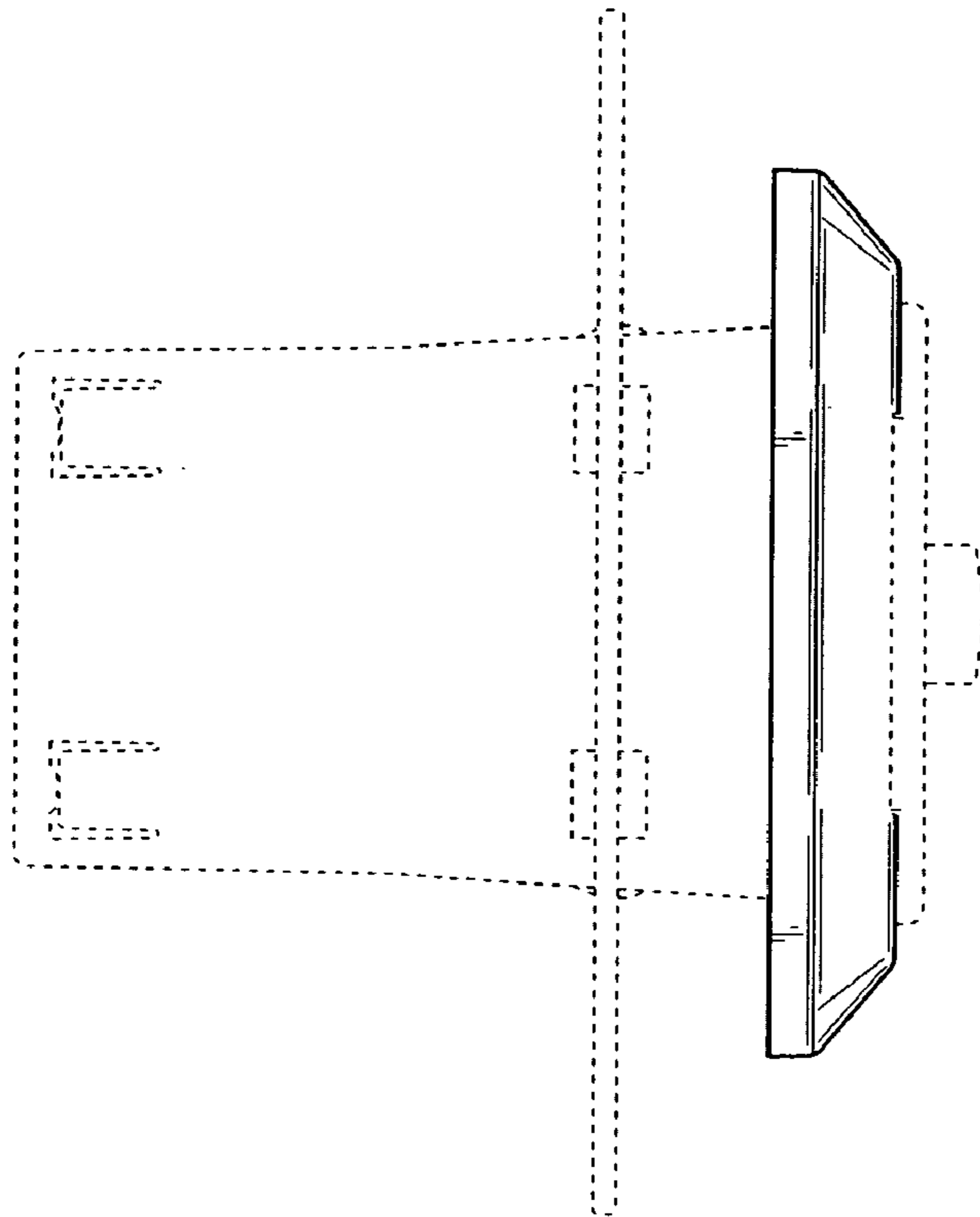


Fig. 5

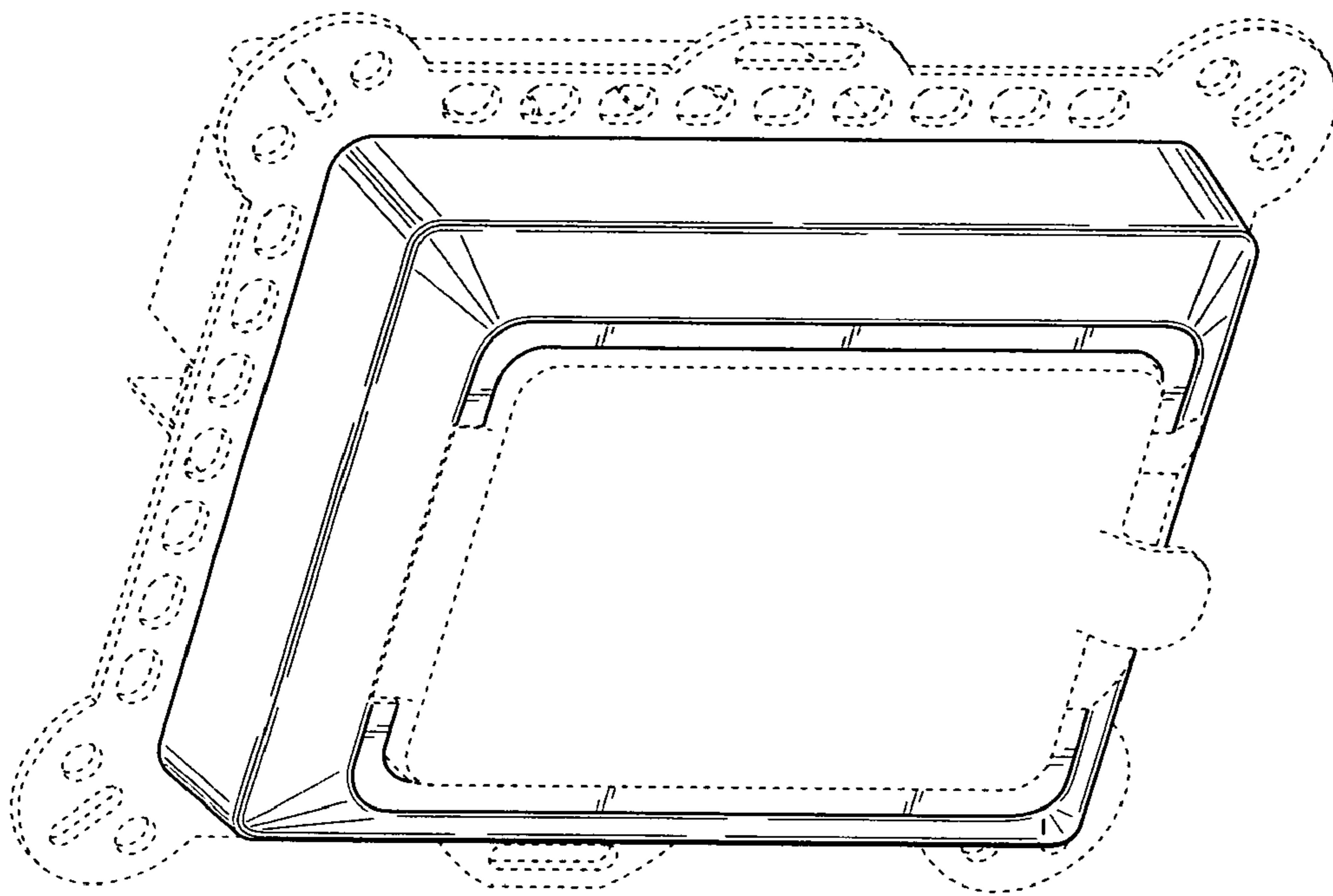


Fig. 6

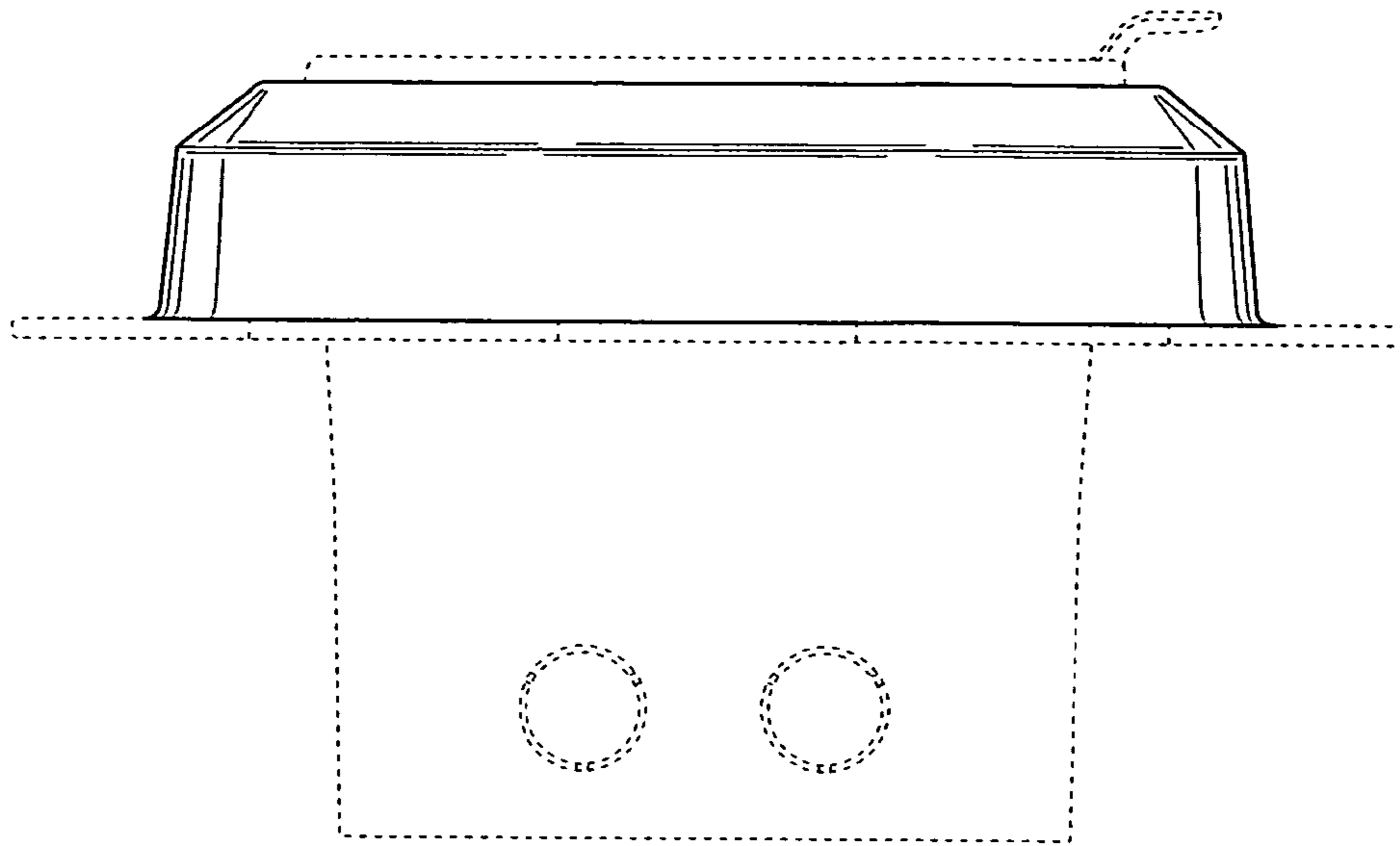


Fig. 8

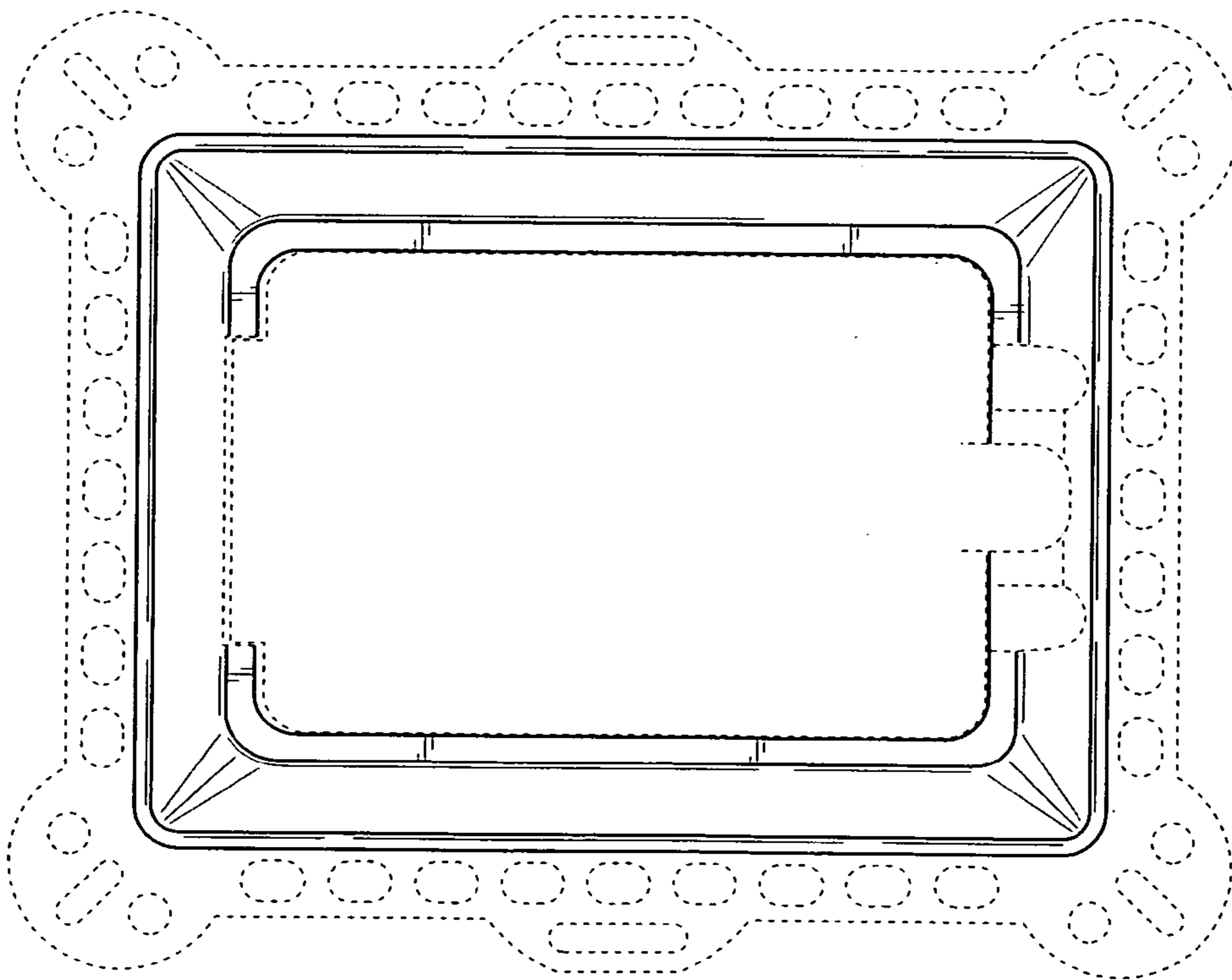


Fig. 7

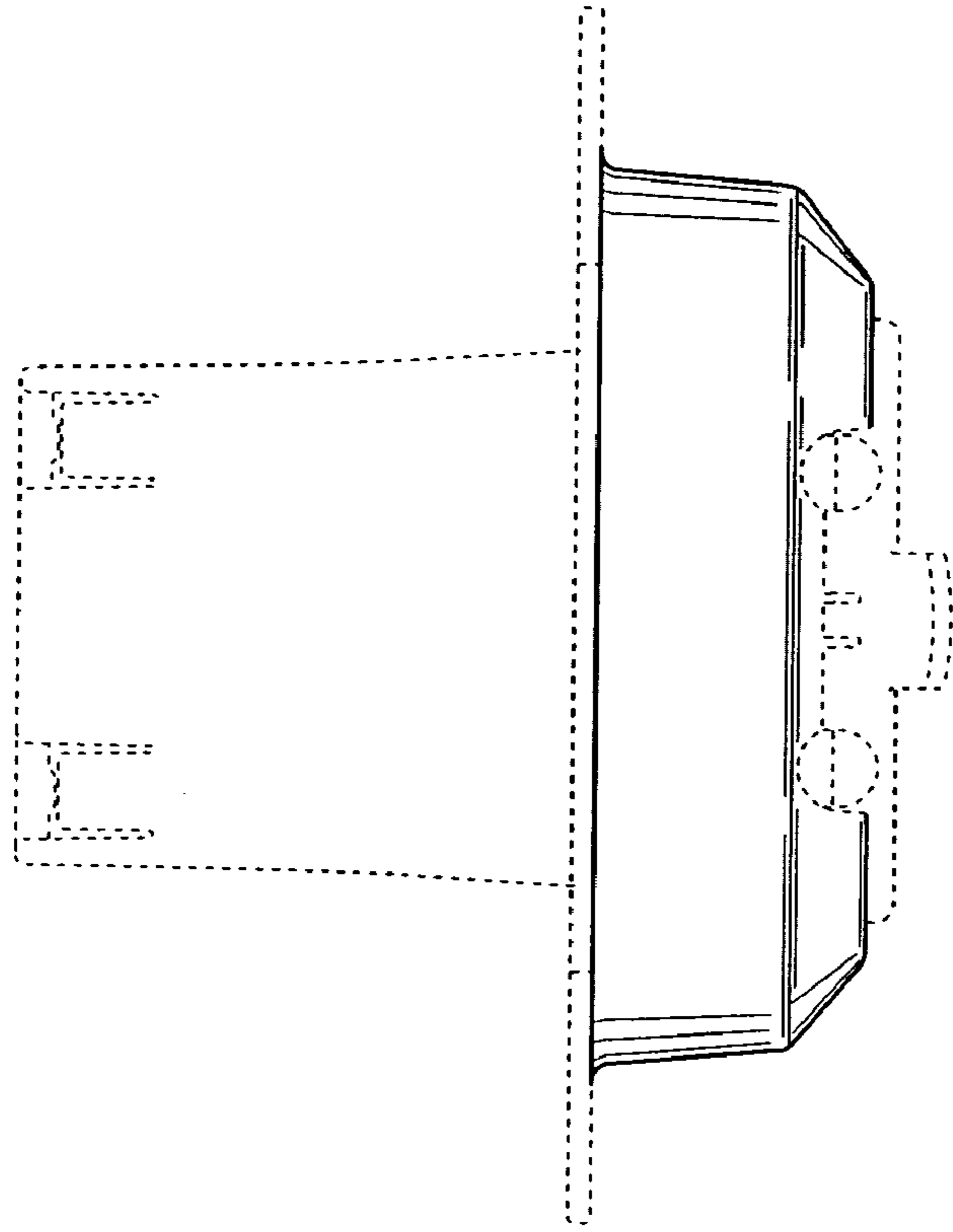


Fig. 9

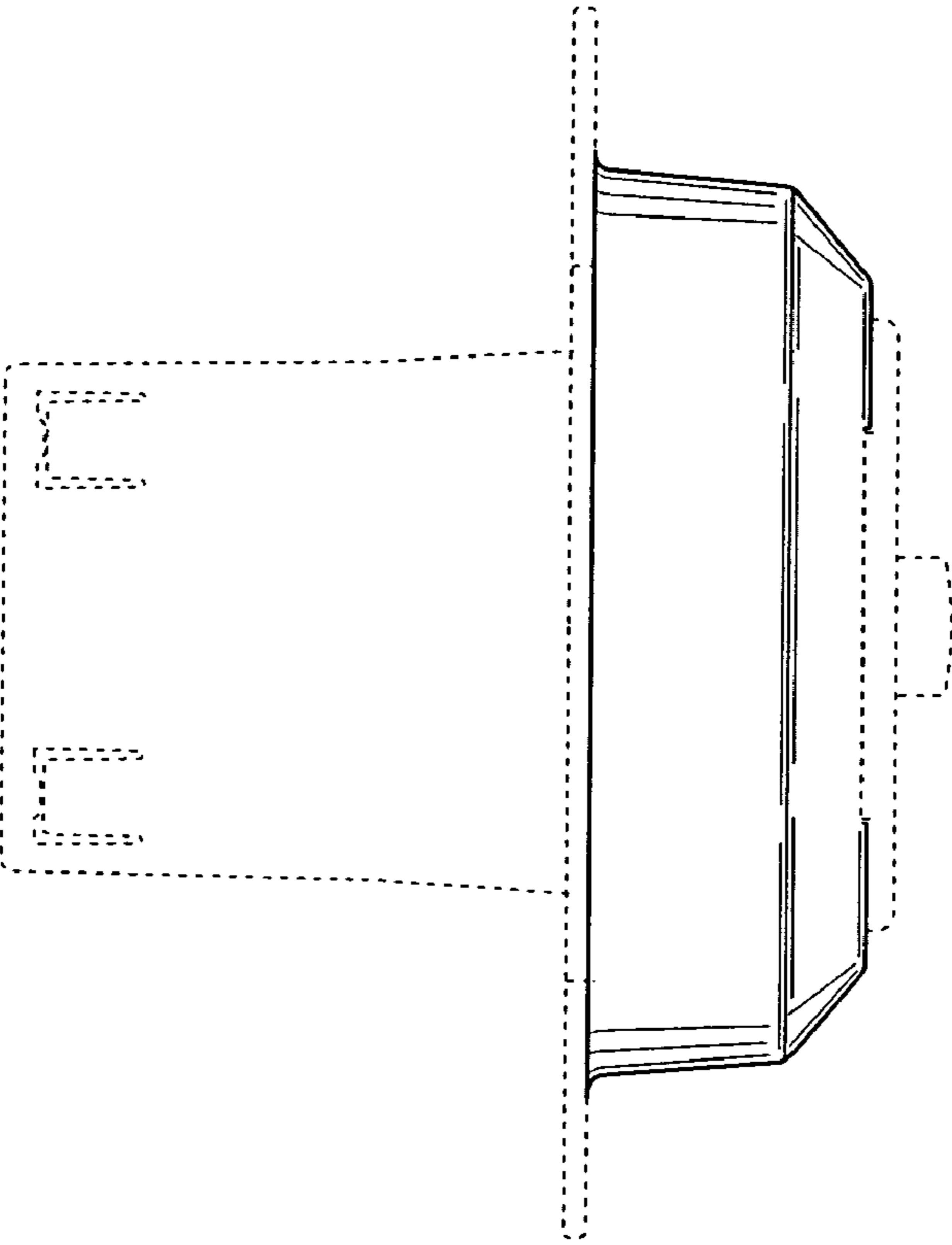


Fig. 10

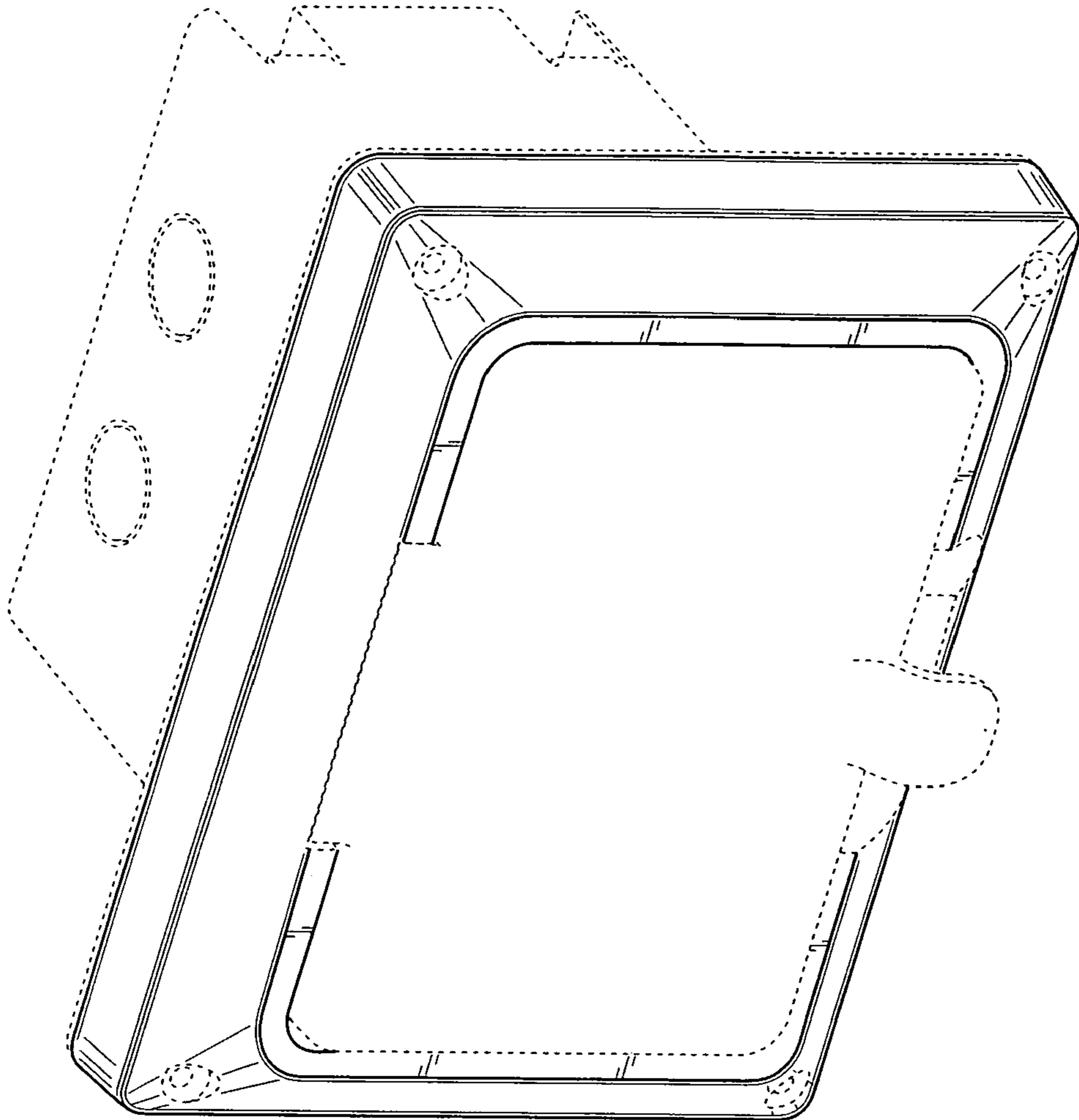


Fig. 11

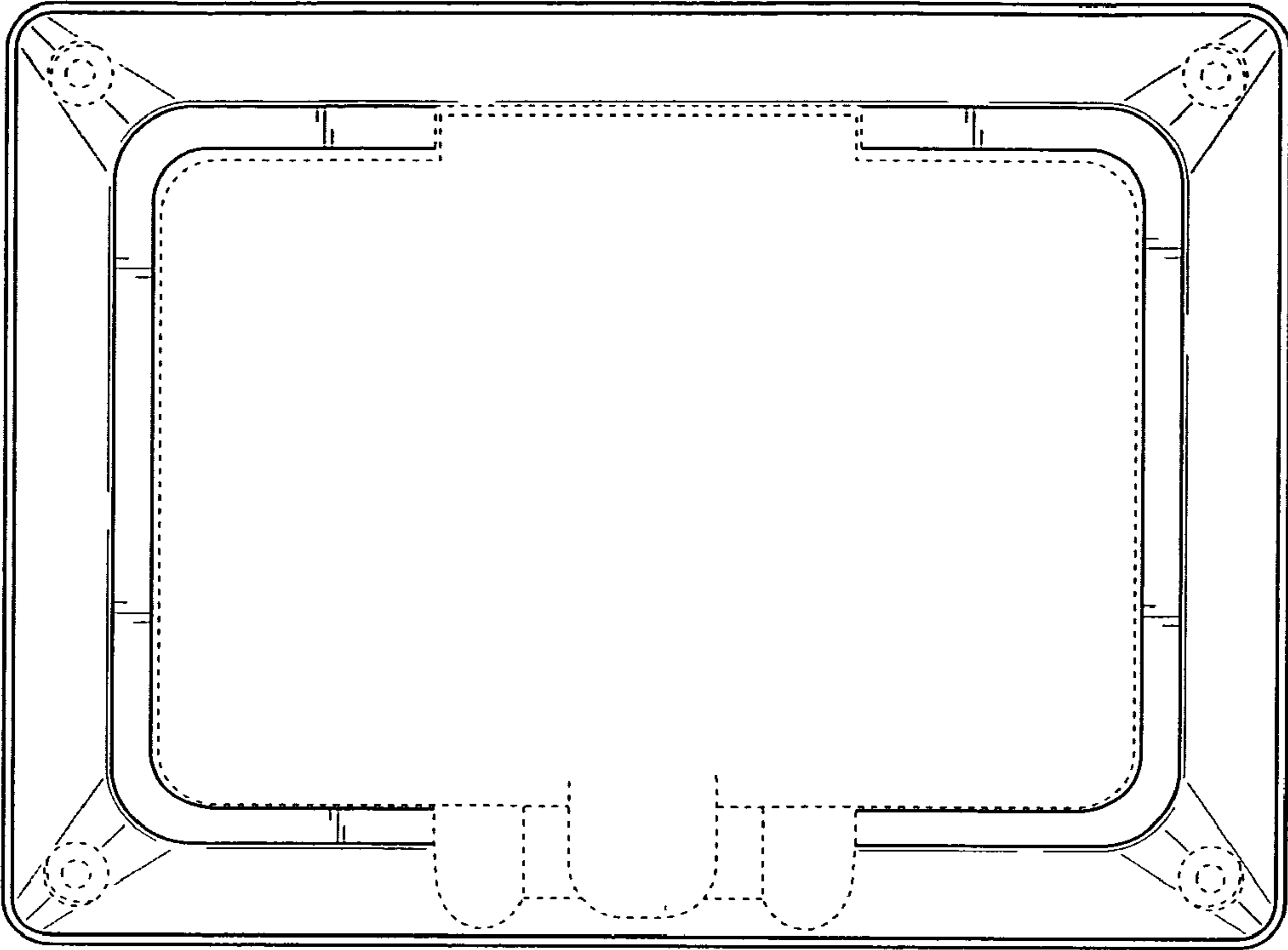


Fig. 12

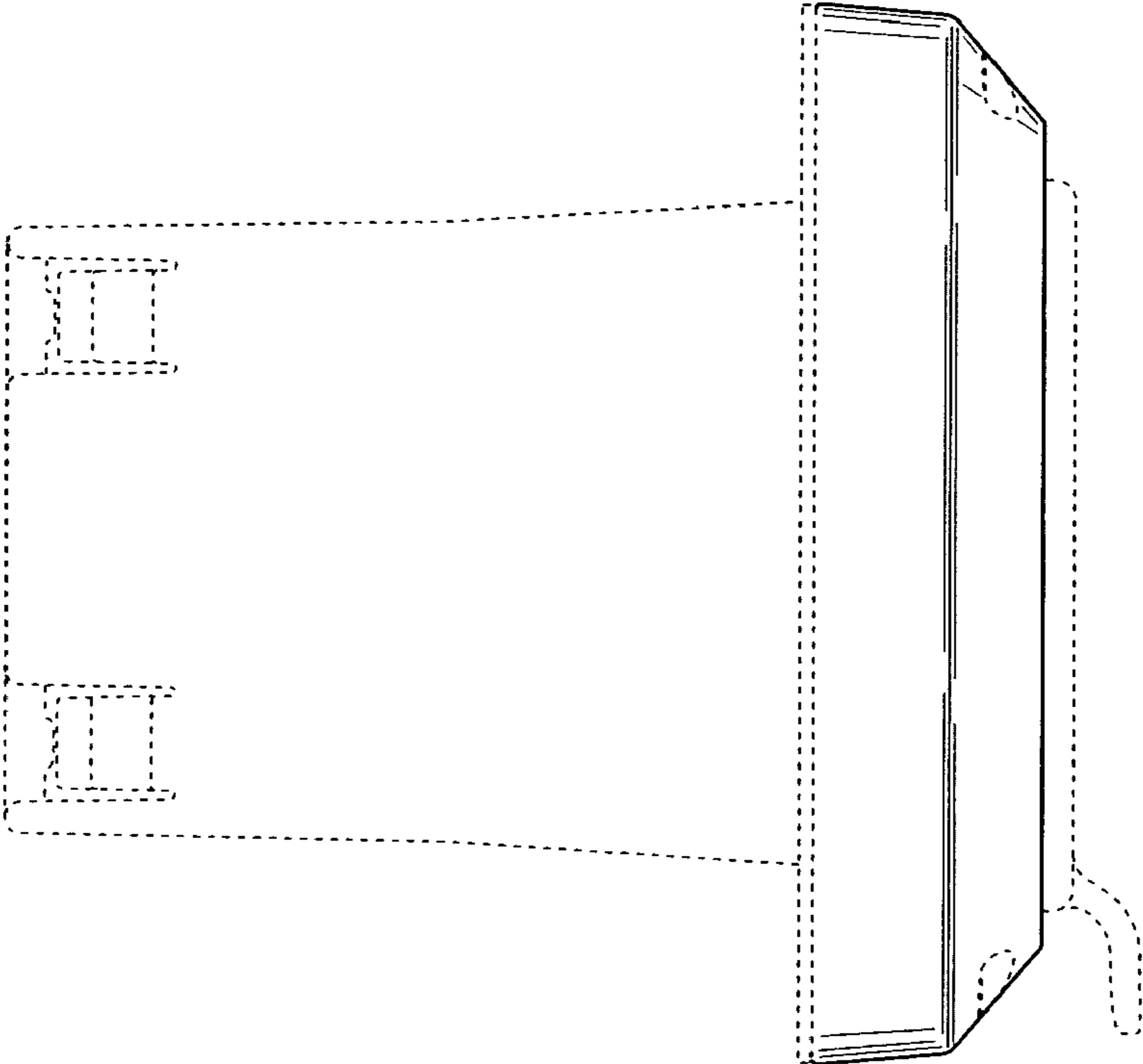


Fig. 13

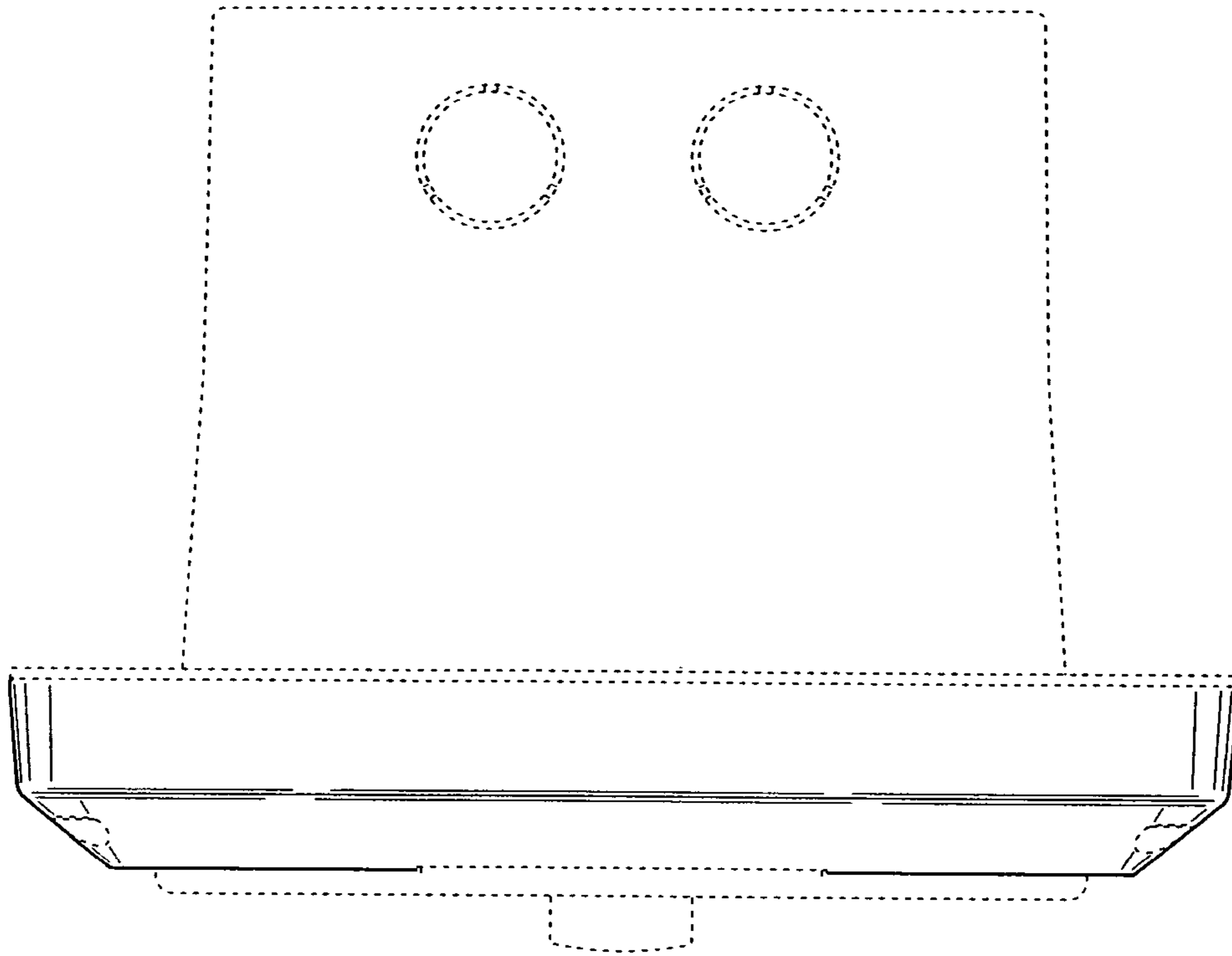


Fig. 14

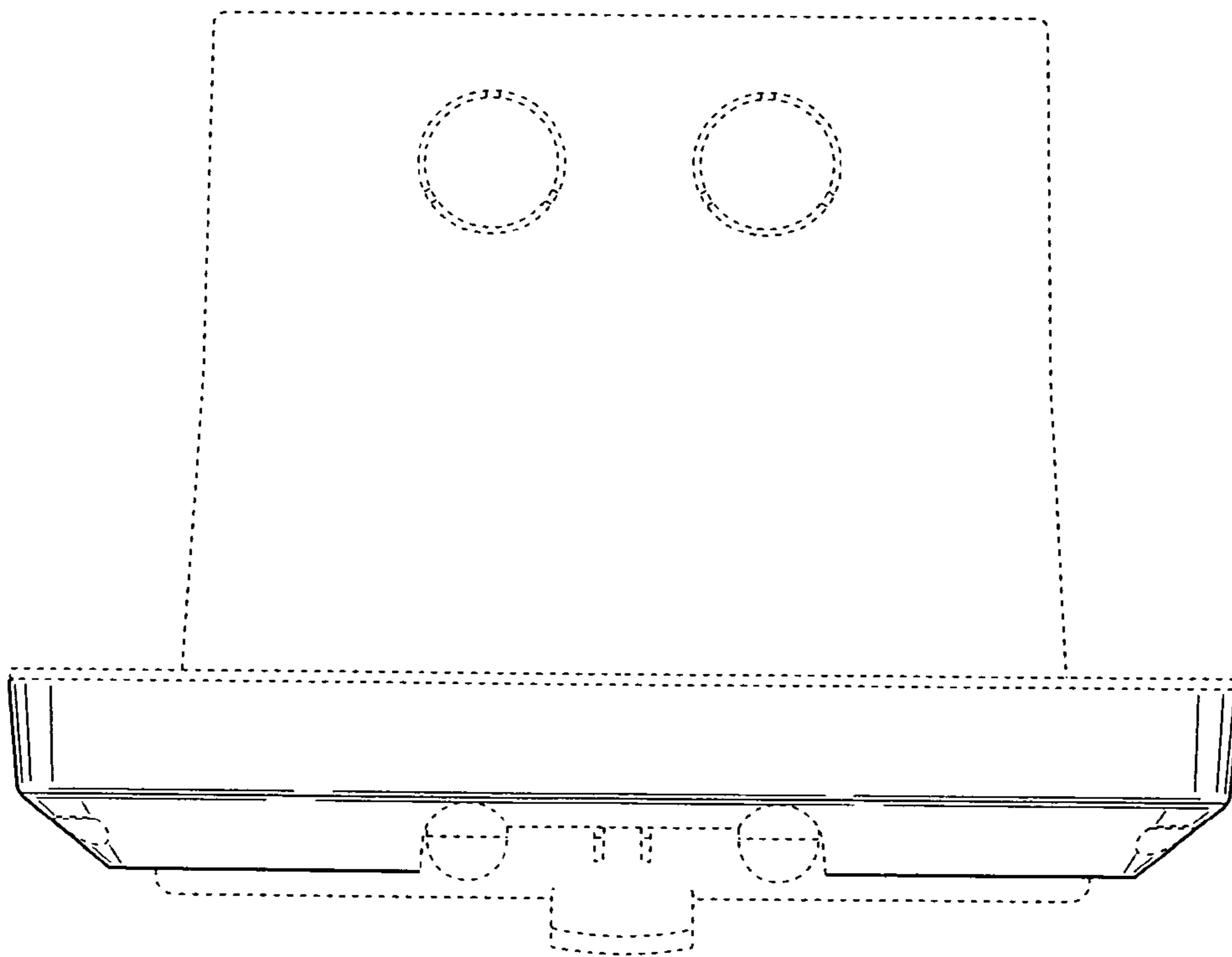


Fig. 15

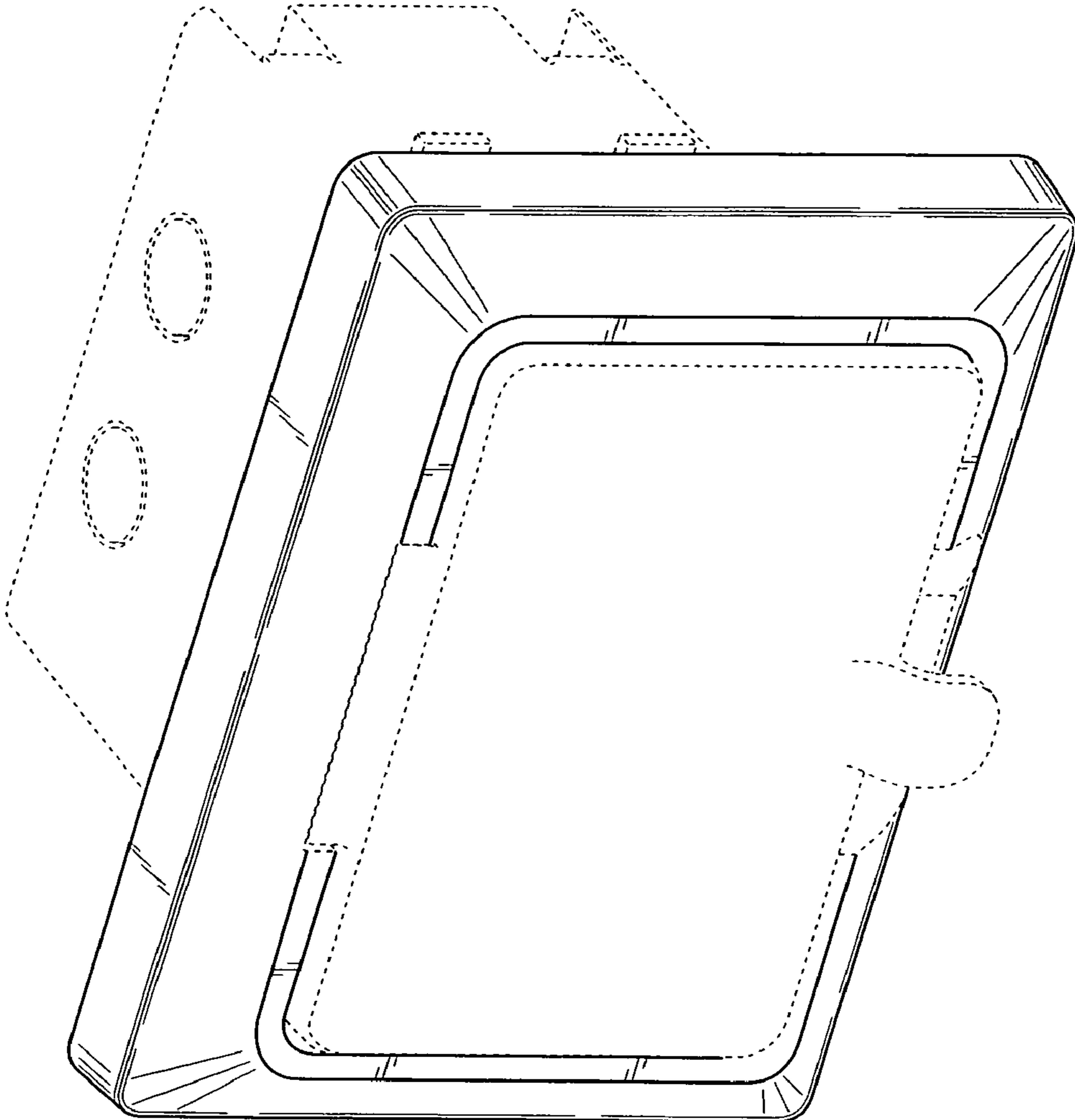


Fig. 16

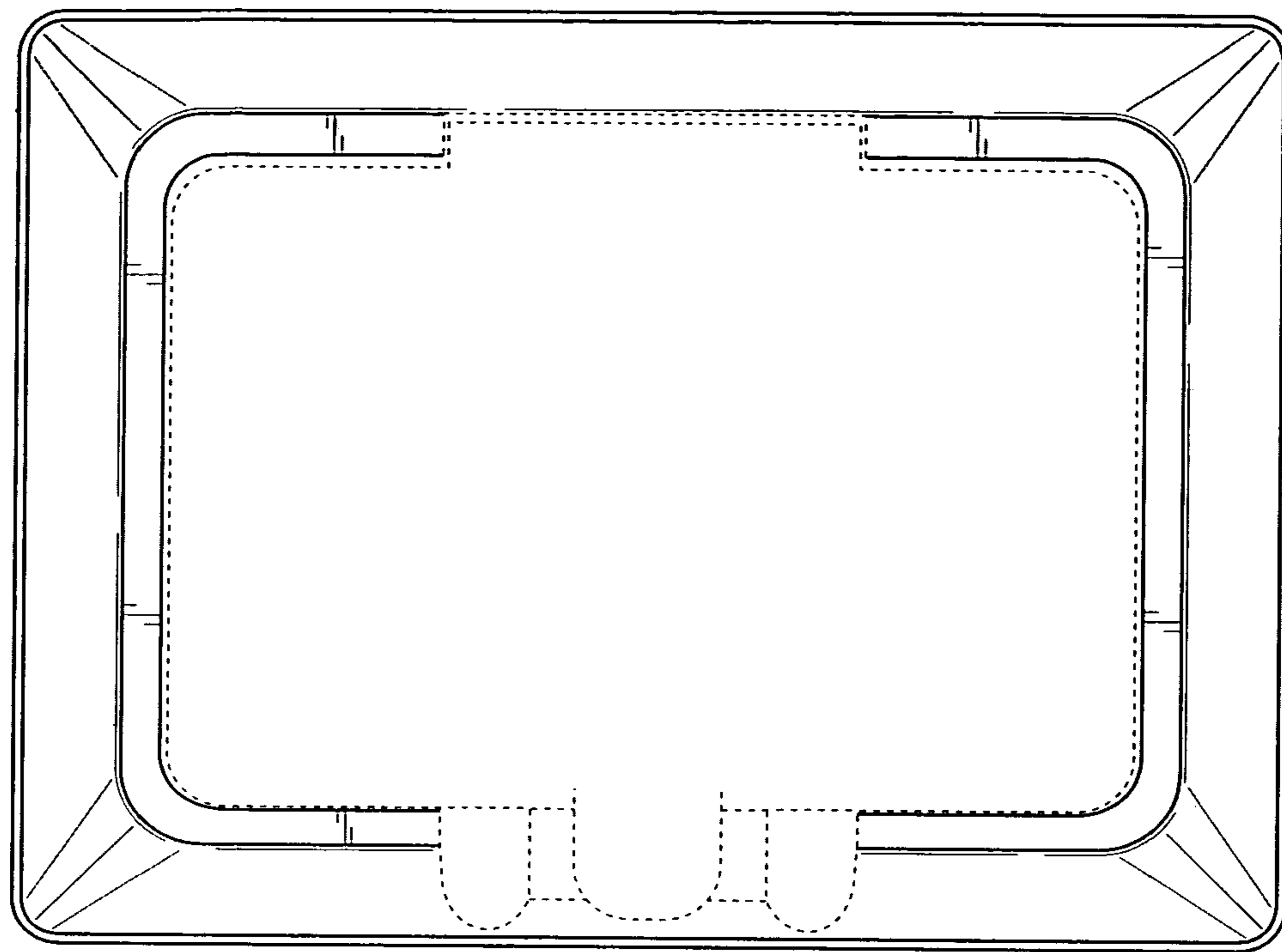


Fig. 17

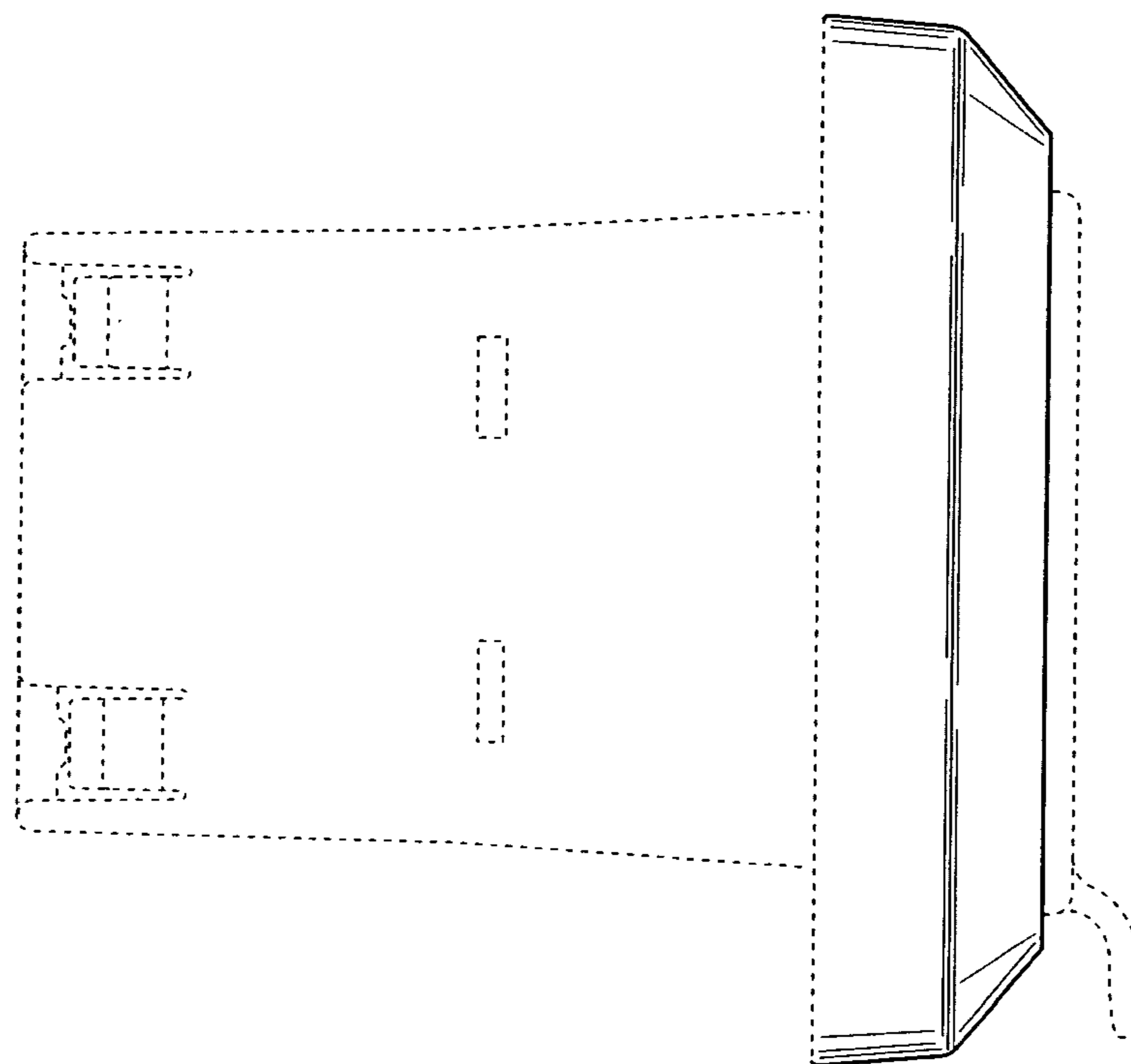


Fig. 18

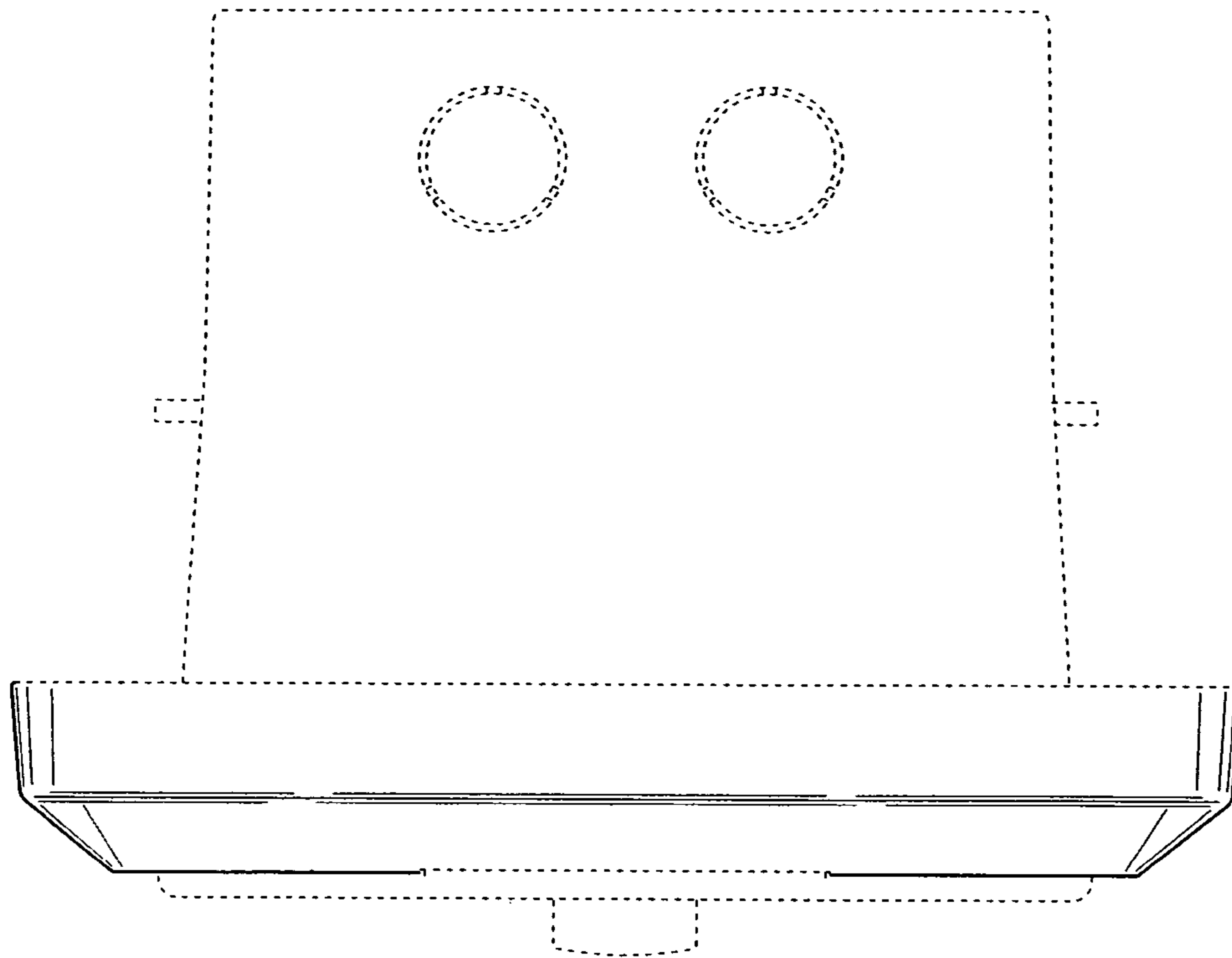


Fig. 19

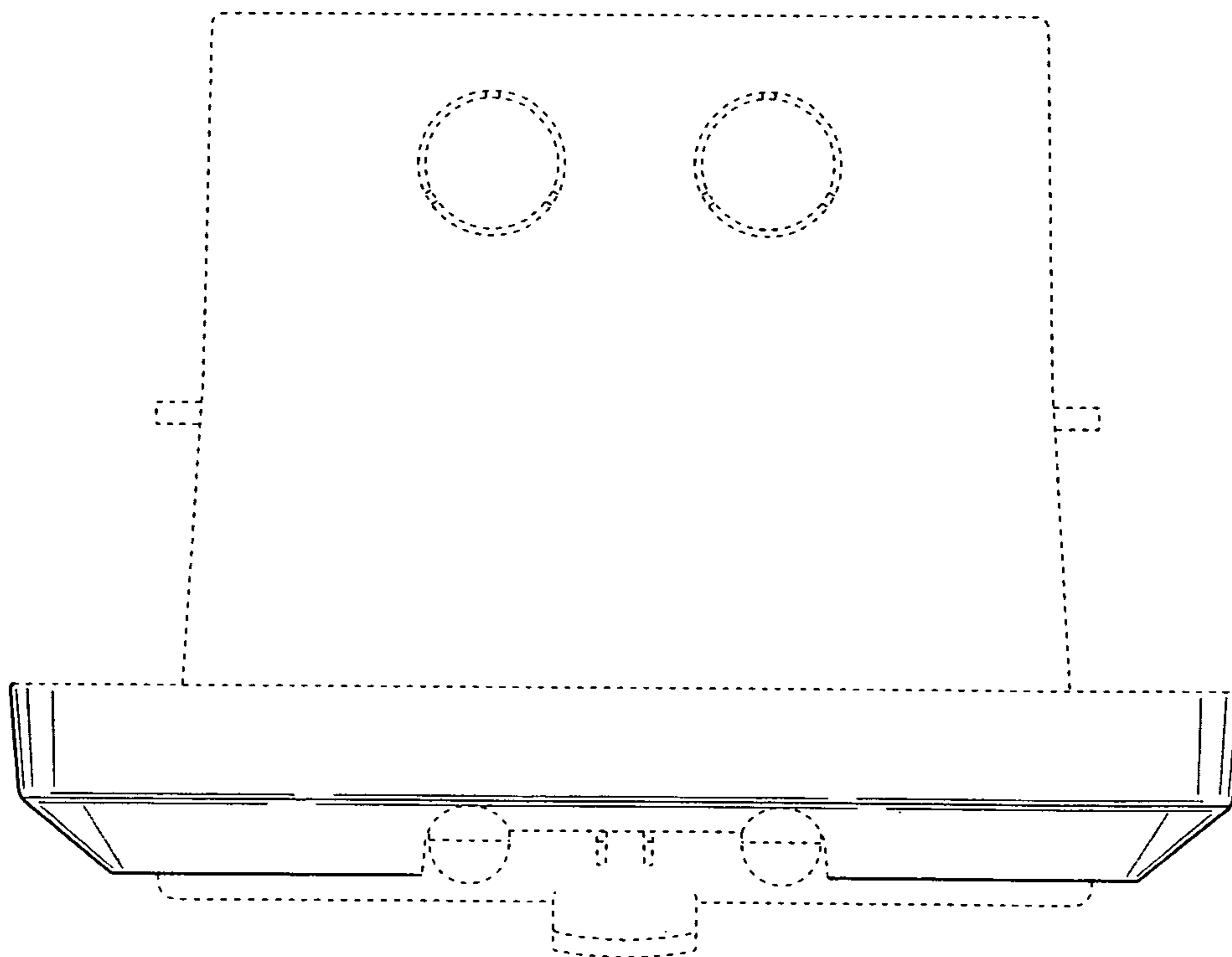


Fig. 20