

US00D566655S

(12) **United States Design Patent**  
**Chen et al.**

(10) **Patent No.:** **US D566,655 S**  
(45) **Date of Patent:** **\*\* Apr. 15, 2008**

(54) **MEMORY CARD CONNECTOR**

(75) Inventors: **Chung Yu Chen**, Tu-Cheng (TW); **Yu Hung Su**, Tu-Cheng (TW); **Chung Tsin Huang**, Tu-Cheng (TW); **Mei Chuan Yang**, Tu-Cheng (TW)

(73) Assignee: **Cheng Uei Precision Industry Co., Ltd.**, Taipei Hsien (TW)

(\*\*) Term: **14 Years**

(21) Appl. No.: **29/265,262**

(22) Filed: **Aug. 29, 2006**

(51) **LOC (8) Cl.** ..... **13-03**

(52) **U.S. Cl.** ..... **D13/147**

(58) **Field of Classification Search** ..... D14/432-439,  
D14/483; D13/146, 147, 120, 133, 199;  
439/159, 160, 433, 630, 65, 295, 441, 660,  
439/862, 152, 607-610, 131, 299, 300, 345,  
439/372; 361/685, 727; 200/51.09

See application file for complete search history.

(56) **References Cited**

**U.S. PATENT DOCUMENTS**

D469,771 S *	2/2003	Nishio et al.	.....	D14/433
D469,772 S *	2/2003	Nishio et al.	.....	D14/433
D470,148 S *	2/2003	Nishio et al.	.....	D14/433
D482,367 S *	11/2003	Hsu et al.	.....	D14/483
D483,372 S *	12/2003	Watanabe et al.	.....	D14/433
D485,807 S *	1/2004	Kao et al.	.....	D14/433
D489,725 S *	5/2004	Hu et al.	.....	D14/433
6,840,807 B2 *	1/2005	Ooya et al.	.....	439/630
7,029,299 B1 *	4/2006	Chen	.....	439/159
7,033,190 B1 *	4/2006	Chen	.....	439/159
D523,860 S *	6/2006	Xu et al.	.....	D14/436

7,056,153 B2 *	6/2006	Watanabe et al.	.....	439/630
7,112,082 B2 *	9/2006	Tsai	.....	439/329
D529,446 S *	10/2006	Su	.....	D13/147
D530,284 S *	10/2006	Su	.....	D13/147
D531,958 S *	11/2006	Yang et al.	.....	D13/147
D544,841 S *	6/2007	Nishio et al.	.....	D13/147
D544,842 S *	6/2007	Nishio et al.	.....	D13/147
D546,288 S *	7/2007	Hsu et al.	.....	D13/147
D547,728 S *	7/2007	Lee et al.	.....	D13/147
2003/0227763 A1 *	12/2003	Kao et al.	.....	361/818
2005/0208815 A1 *	9/2005	Tsai	.....	439/329
2007/0161274 A1 *	7/2007	Tanaka et al.	.....	439/159

\* cited by examiner

*Primary Examiner*—Cathron Brooks

*Assistant Examiner*—Deanna Fluegeman

(74) *Attorney, Agent, or Firm*—Rosenberg, Klein & Lee

(57) **CLAIM**

The ornamental design for a memory card connector, as shown and described.

**DESCRIPTION**

FIG. 1 is a perspective view of a memory card connector showing our new design;

FIG. 2 is a front elevational view thereof;

FIG. 3 is a rear elevational view thereof;

FIG. 4 is a left side elevational view thereof;

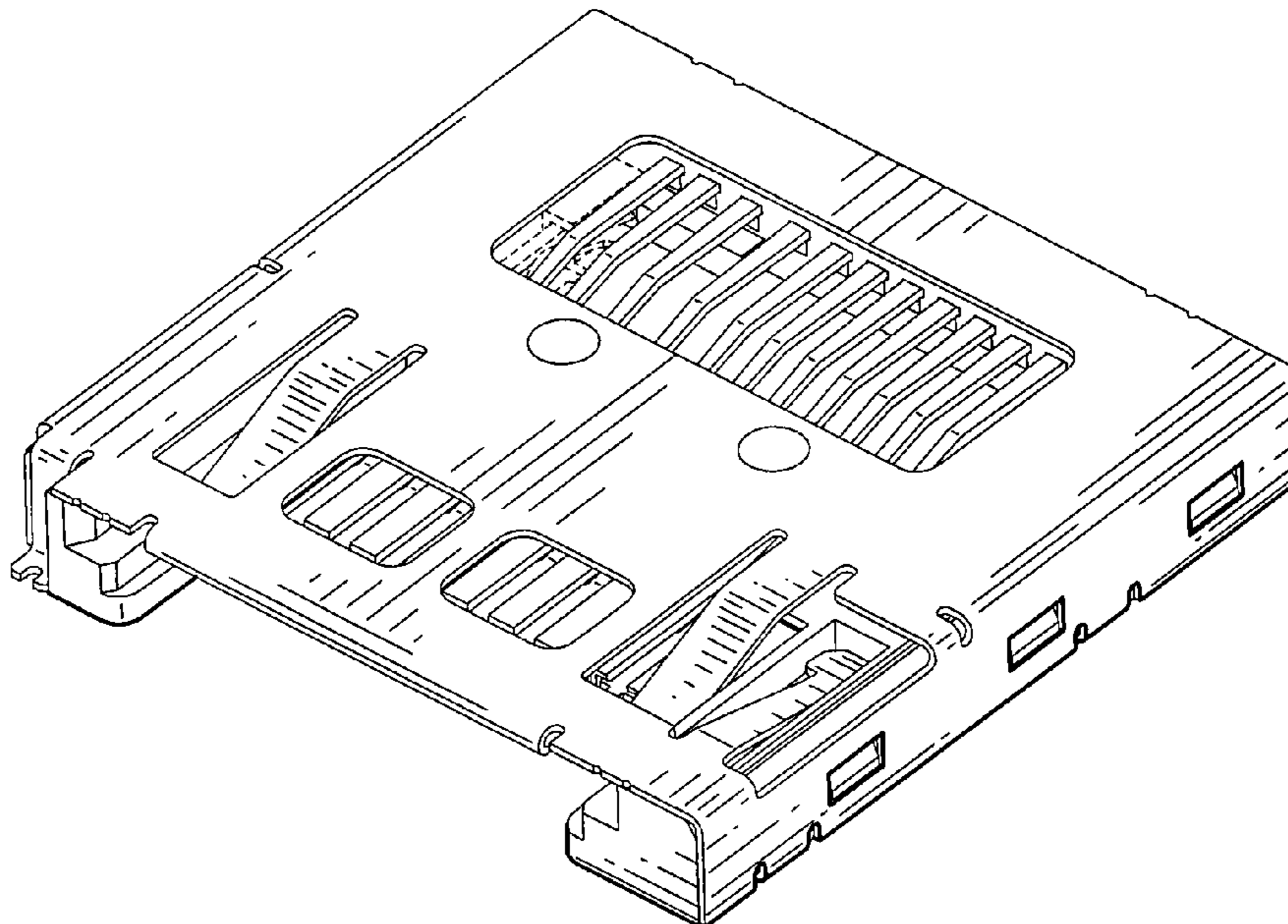
FIG. 5 is a right side elevational view thereof;

FIG. 6 is a top plan view thereof; and,

FIG. 7 is a bottom plan view thereof.

Features shown in broken lines are included for illustrative purposes and do not form a part of the claimed design.

**1 Claim, 7 Drawing Sheets**



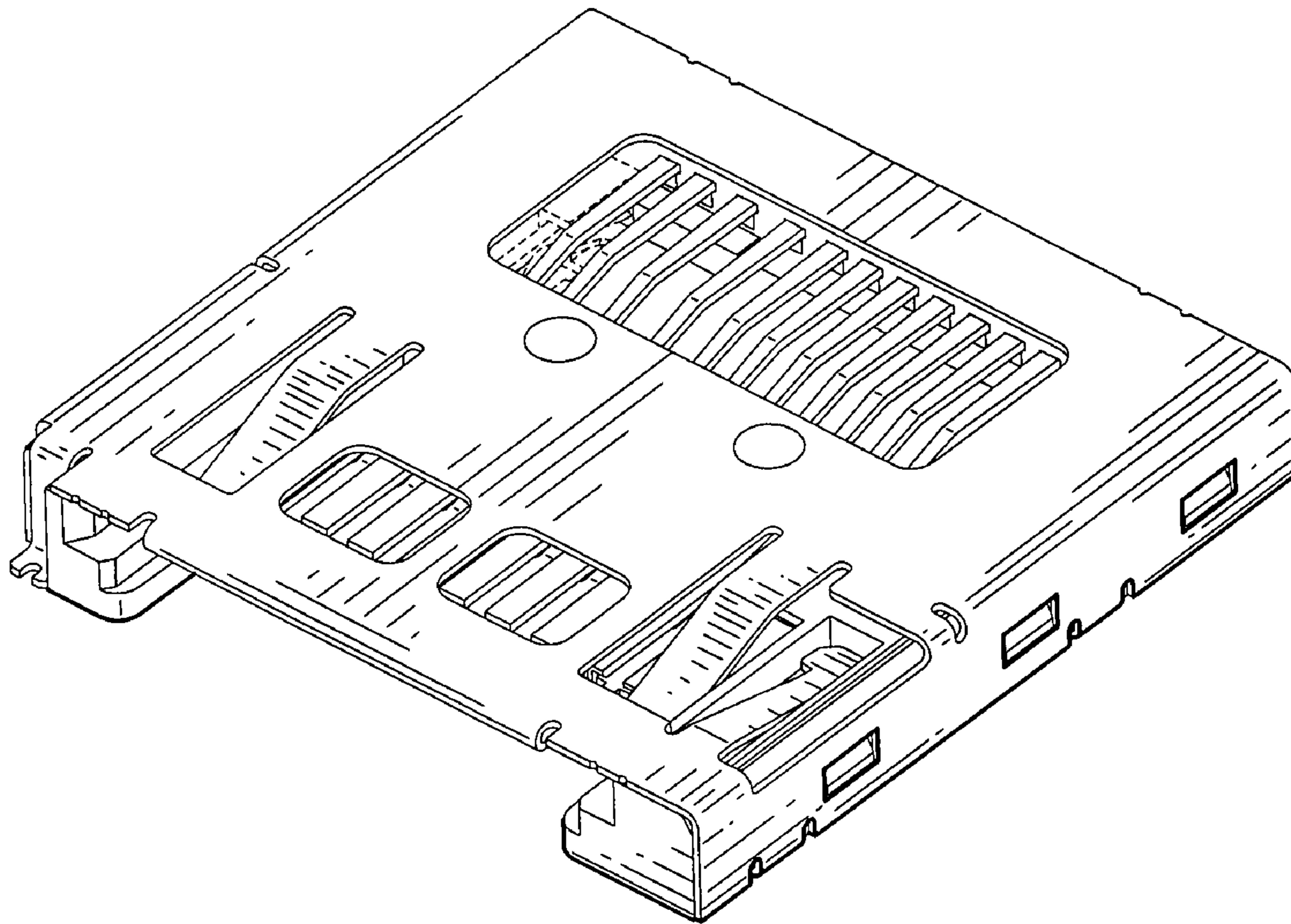


FIG. 1



FIG. 2

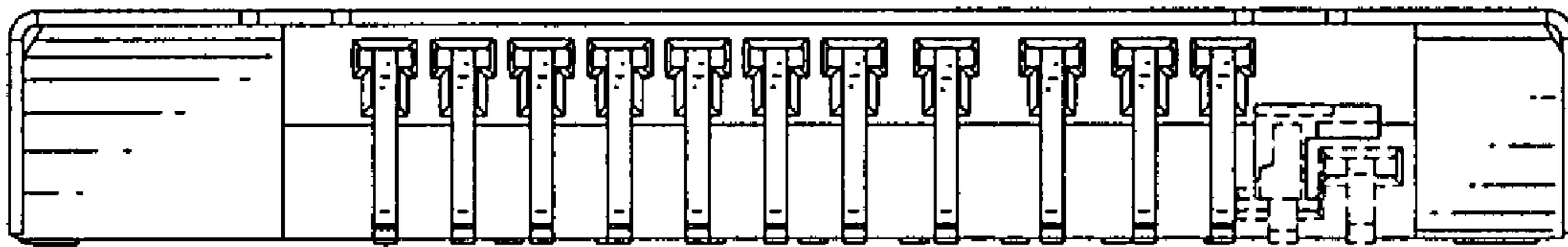


FIG. 3

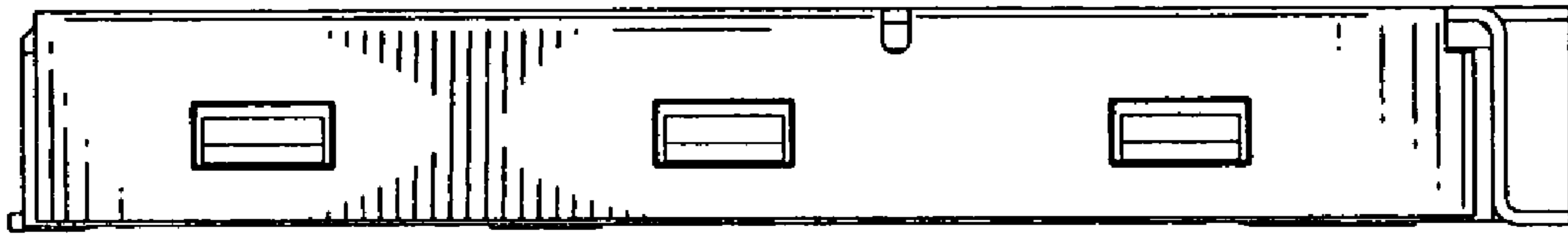


FIG. 4

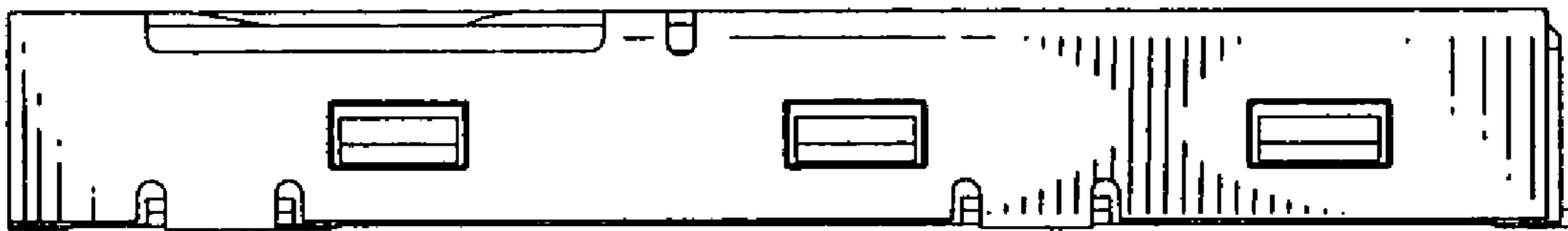


FIG. 5

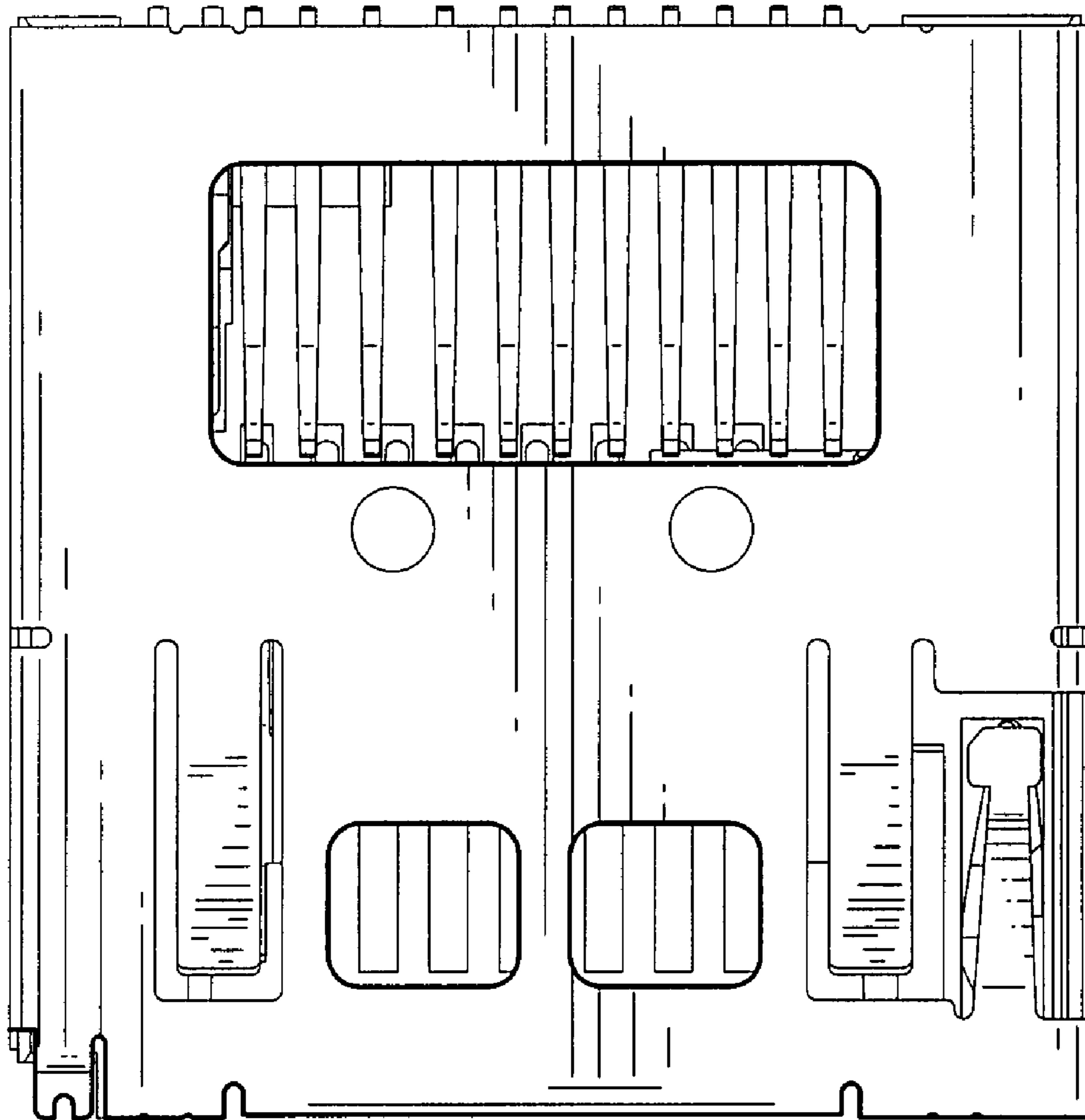


FIG. 6

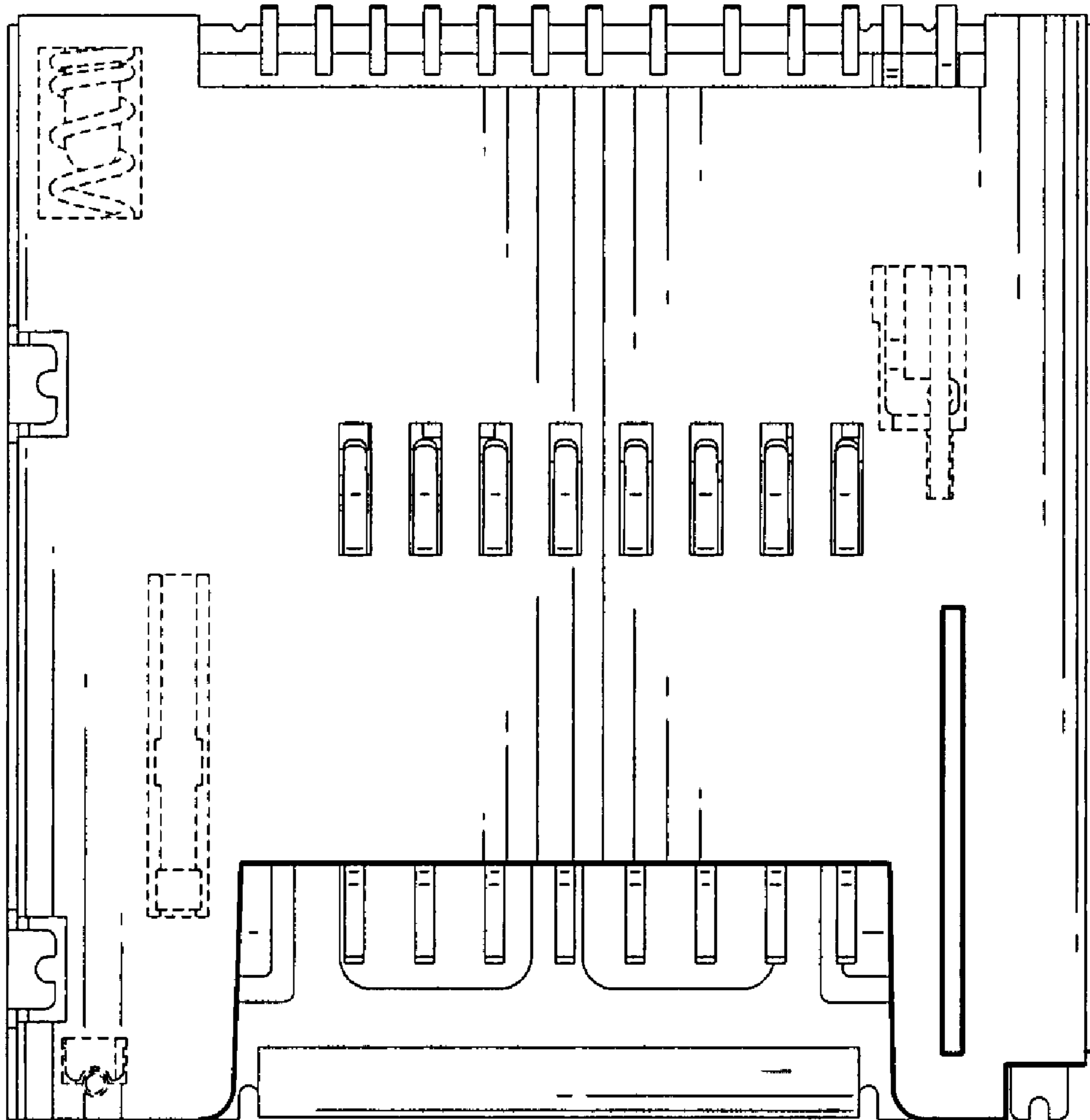


FIG. 7