



US00D566653S

(12) **United States Design Patent**
Sakamoto

(10) **Patent No.:** **US D566,653 S**

(45) **Date of Patent:** **** Apr. 15, 2008**

(54) **FEMALE-TYPE FITTING FOR TUBE CONNECTORS**

D456,363 S * 4/2002 Lee D13/154
6,491,546 B1 * 12/2002 Perry 439/620.03
D519,452 S * 4/2006 Rodrigues et al. D13/133

(75) Inventor: **Tetsuma Sakamoto**, Tokyo (JP)

* cited by examiner

(73) Assignee: **Tyco Electronics AMP K.K.**,
Kanagawa-ken (JP)

Primary Examiner—Daniel Bui

(74) *Attorney, Agent, or Firm*—Barley Snyder LLC

(**) Term: **14 Years**

(57) **CLAIM**

(21) Appl. No.: **29/250,745**

The ornamental design for a female-type fitting for tube connectors, as shown and described.

(22) Filed: **Nov. 30, 2006**

(30) **Foreign Application Priority Data**

DESCRIPTION

May 31, 2006 (JP) 2006-013789

FIG. 1 is a front elevation view of a female-type fitting for tube connectors, showing my new design;

(51) **LOC (8) Cl.** **13-03**

FIG. 2 is a top plan view thereof;

(52) **U.S. Cl.** **D13/133**

FIG. 3 is a bottom plan view thereof;

(58) **Field of Classification Search** D13/133,
D13/151, 154, 156, 184, 199; 439/578, 668-669,
439/675, 750-751, 825, 851, 889

FIG. 4 is a right side elevation view thereof;

See application file for complete search history.

FIG. 5 is a left side elevation view thereof;

FIG. 6 is a rear side elevation view thereof;

(56) **References Cited**

FIG. 7 is a top, front and right side perspective view thereof;
and,

U.S. PATENT DOCUMENTS

FIG. 8 is a bottom, rear and left side perspective view thereof.

D206,662 S * 1/1967 Karol D13/156

D301,459 S * 6/1989 Chambers D13/151

D451,073 S * 11/2001 Yasuda et al. D13/133

1 Claim, 8 Drawing Sheets

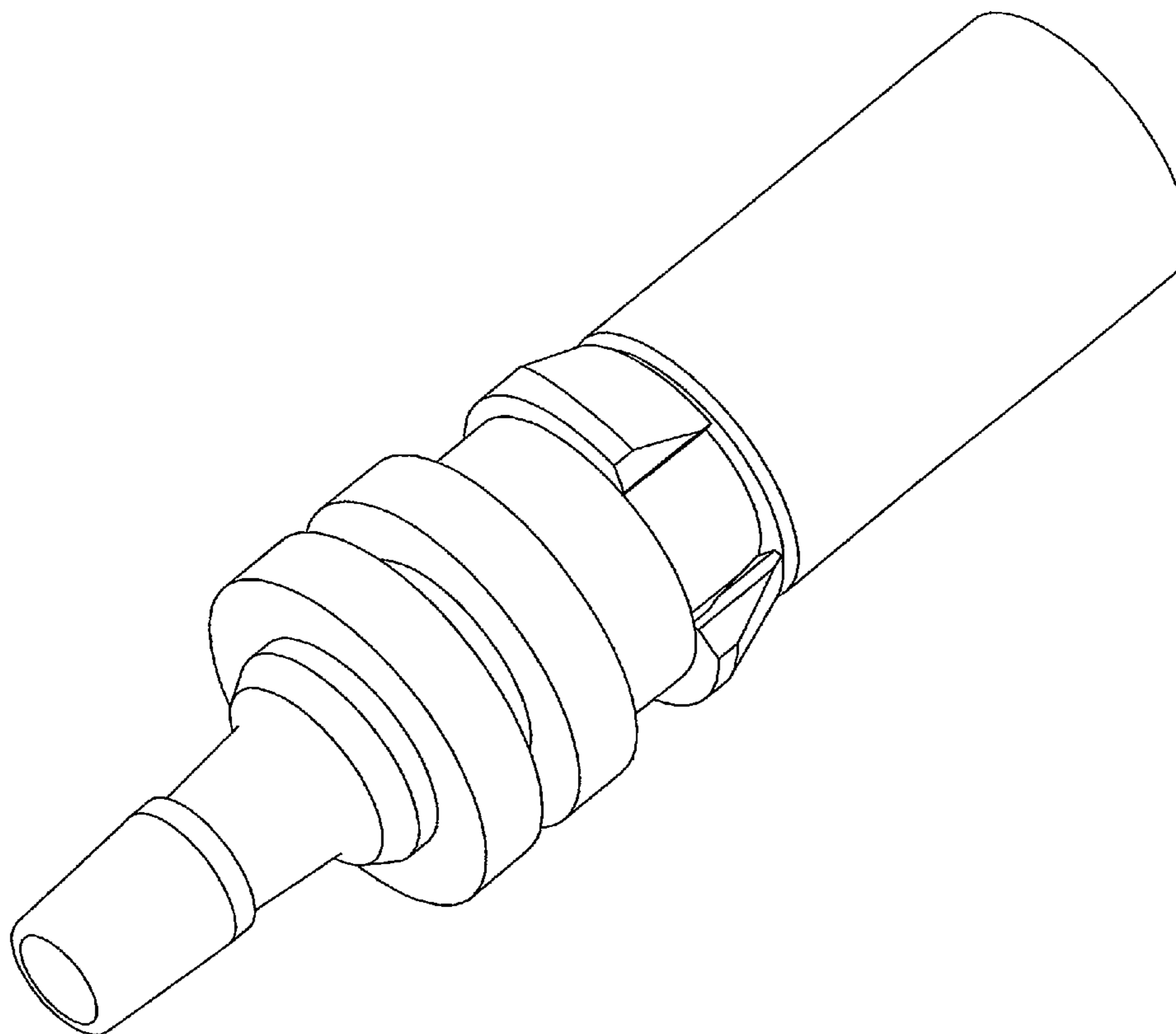


FIG.1

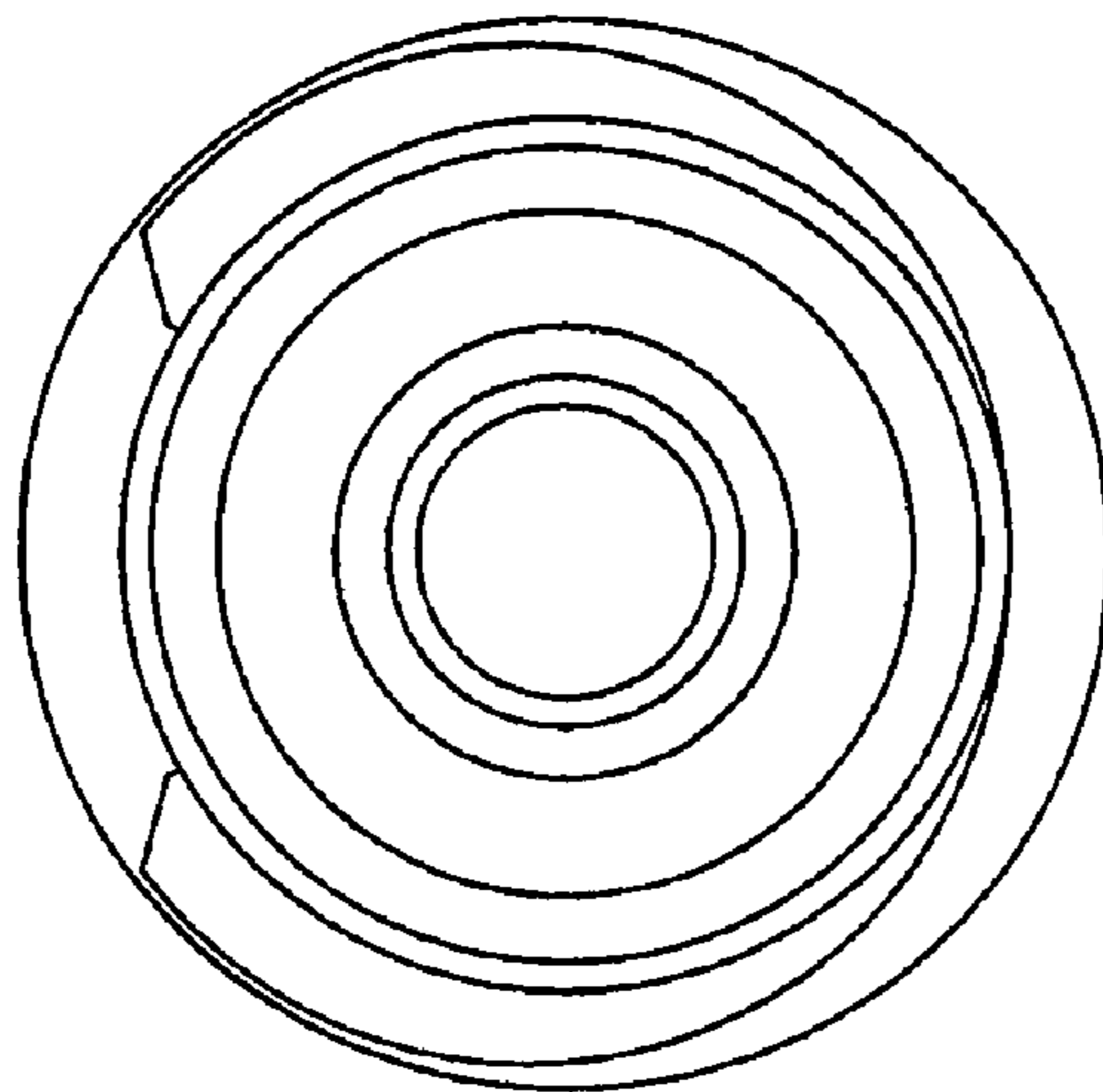


FIG.2

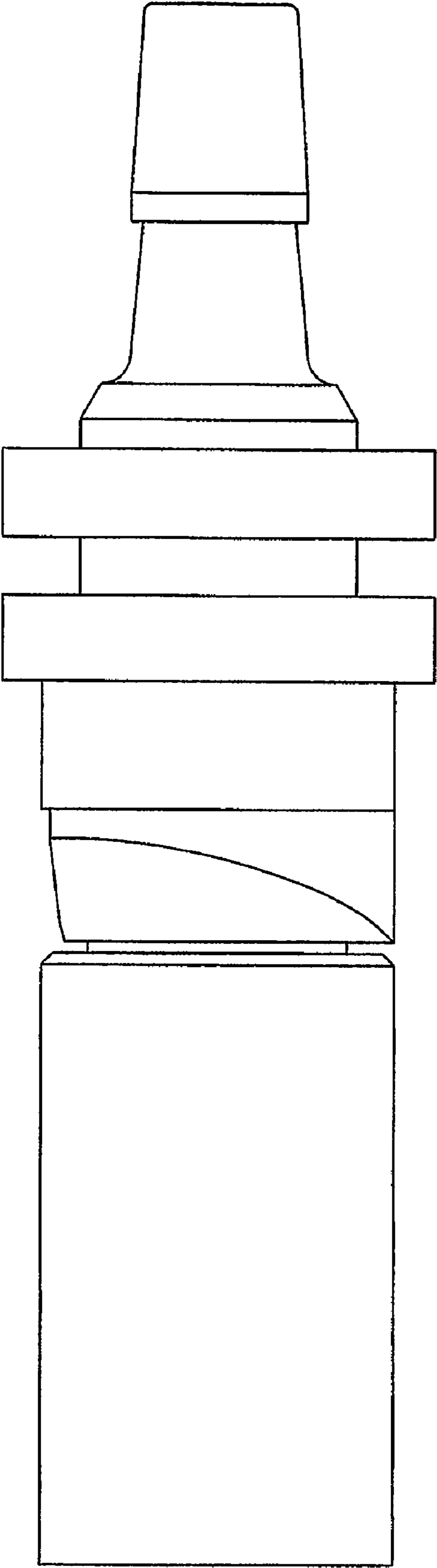


FIG.3

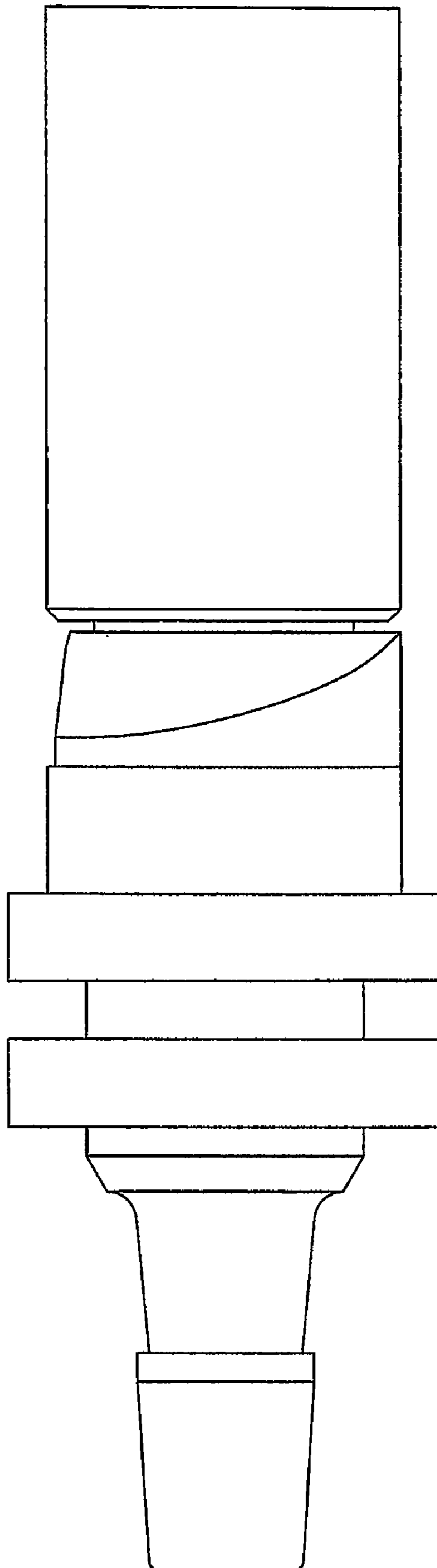


FIG.4

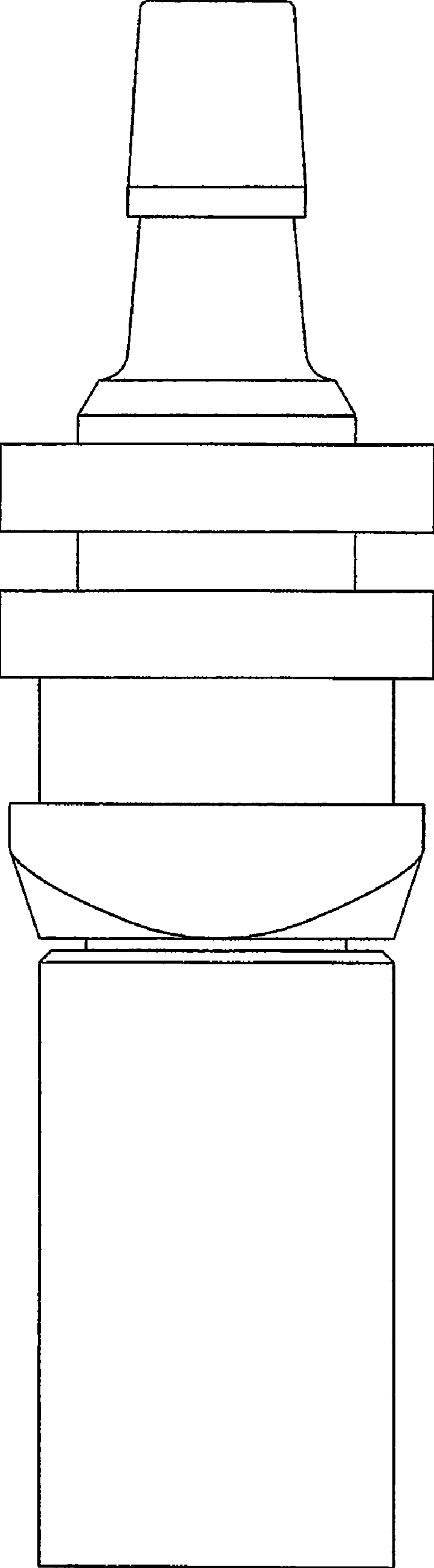


FIG.5

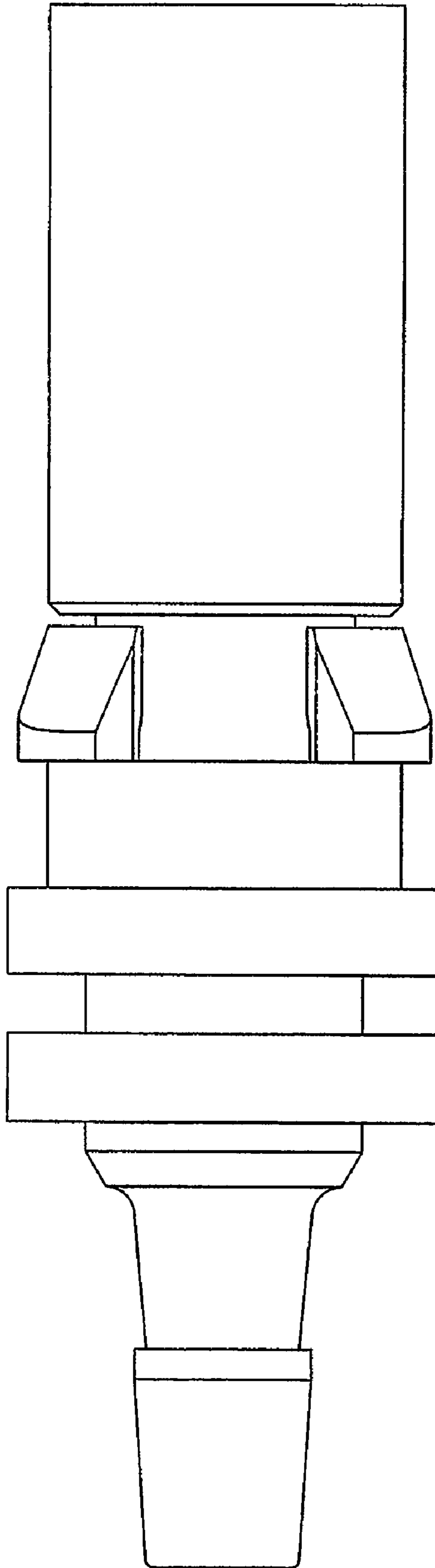
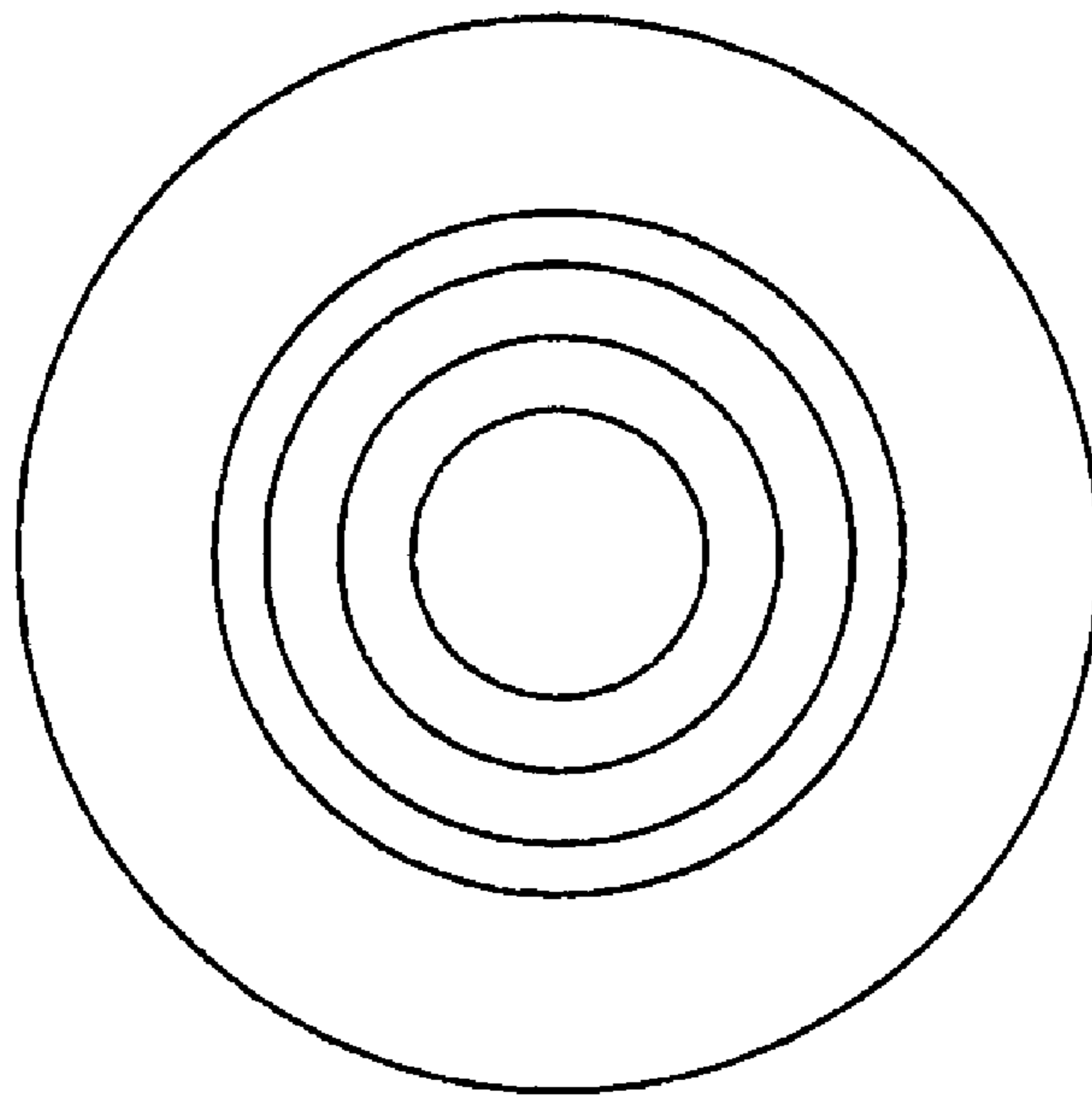


FIG.6



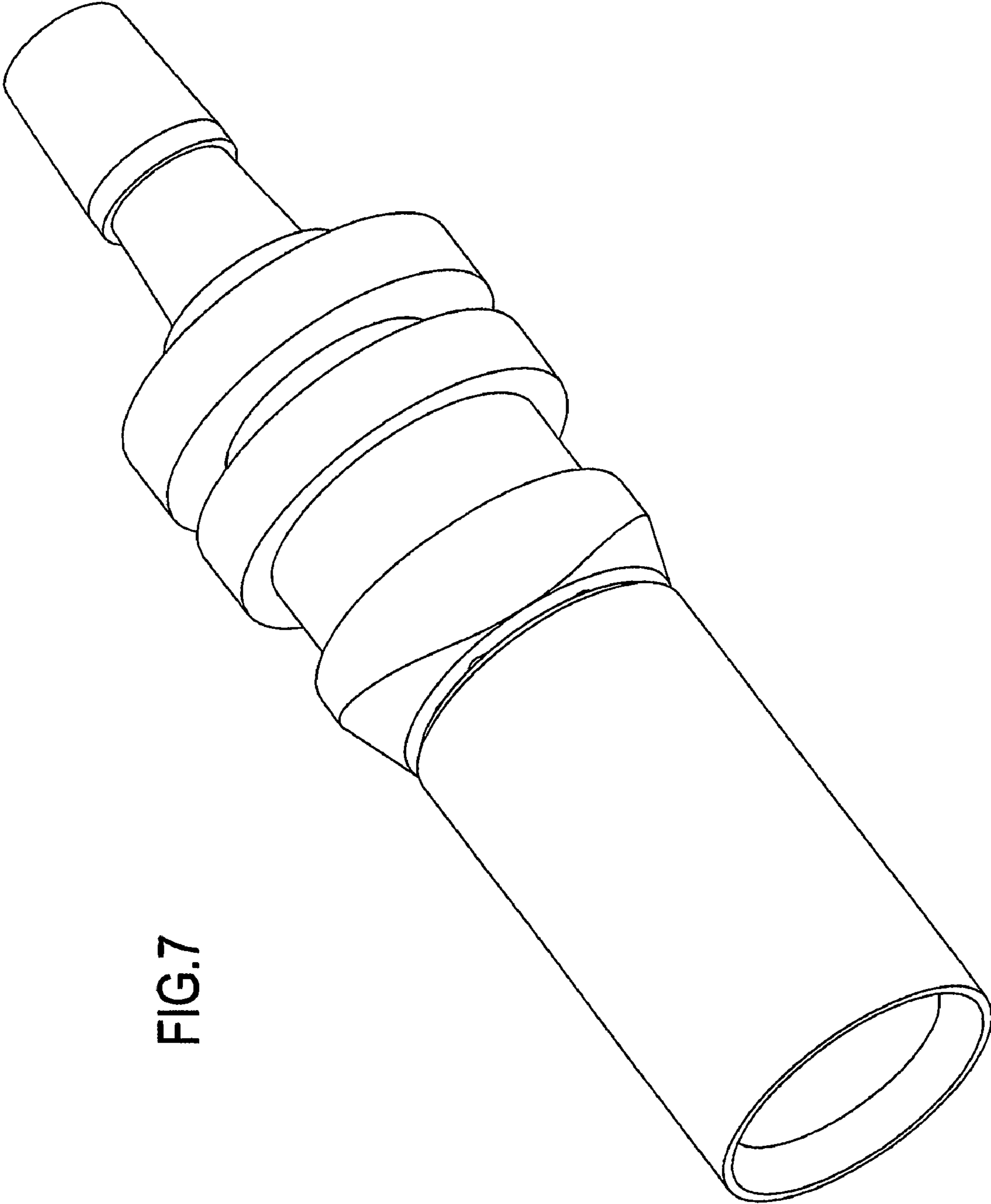


FIG.7

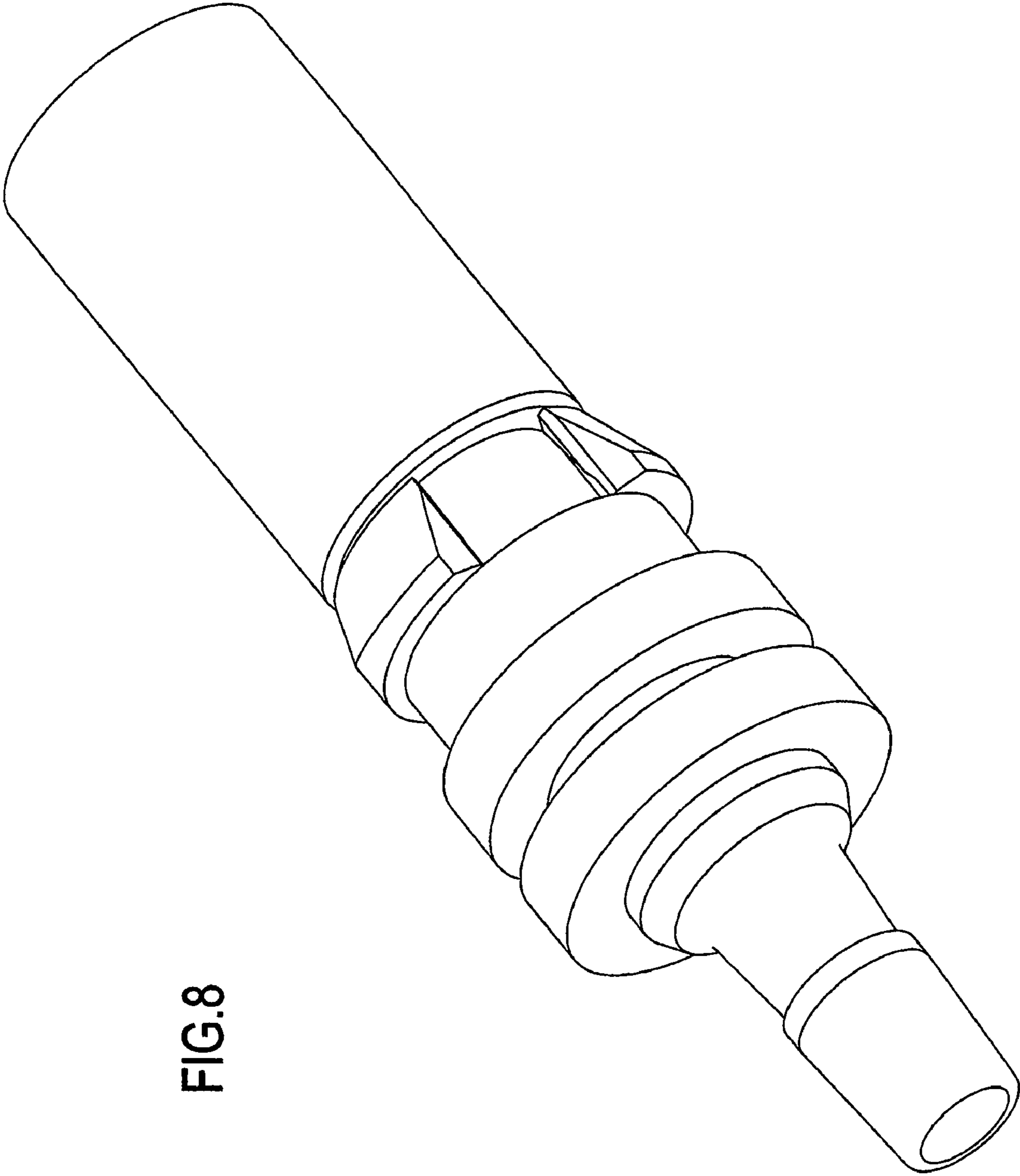


FIG.8