



US00D566650S

(12) **United States Design Patent**
McGowan

(10) **Patent No.:** **US D566,650 S**

(45) **Date of Patent:** **** Apr. 15, 2008**

(54) **POWER REGULATOR**

(75) Inventor: **Paul McGowan**, Eagle Vail, CO (US)

(73) Assignee: **PS Audio International**, Boulder, CO (US)

(**) Term: **14 Years**

(21) Appl. No.: **29/266,918**

(22) Filed: **Sep. 28, 2006**

(51) **LOC (8) Cl.** **13-02**

(52) **U.S. Cl.** **D13/110**

(58) **Field of Classification Search** D13/110,
D13/123, 162, 184, 199; D14/188, 265,
D14/355; 307/150, 151; 361/600, 601;
363/13, 15, 16, 19, 141, 132, 146
See application file for complete search history.

(56) **References Cited**

U.S. PATENT DOCUMENTS

D354,737 S *	1/1995	Fladung	D13/164
5,793,627 A *	8/1998	Caldes et al.	363/146
D403,662 S *	1/1999	Caldes et al.	D13/110
D462,658 S *	9/2002	Reynolds	D13/110
D504,399 S *	4/2005	Peled et al.	D13/110

* cited by examiner

Primary Examiner—Prabhakar Deshmukh

Assistant Examiner—Derrick Holland

(74) *Attorney, Agent, or Firm*—Haynes and Boone, LLP

(57) **CLAIM**

The ornamental design for a power regulator, as shown and described.

DESCRIPTION

FIG. 1 is a perspective view of a power regulator showing my new design;

FIG. 2 is a front elevational view thereof;

FIG. 3 is a rear elevational view thereof;

FIG. 4 is a right side elevational view thereof;

FIG. 5 is a left side elevational view thereof;

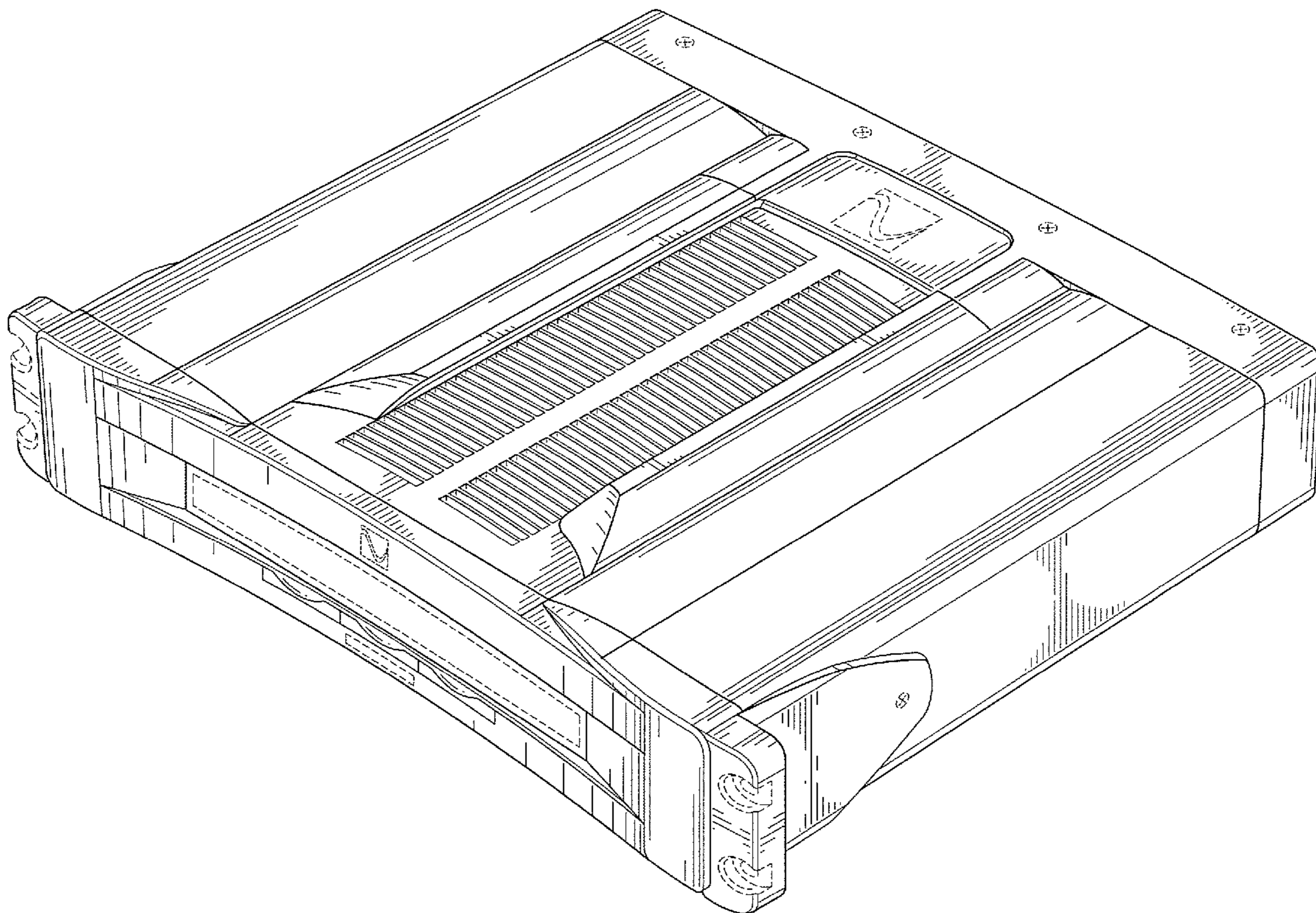
FIG. 6 is a top plan view thereof; and,

FIG. 7 is a bottom plan view thereof.

The portions of the power regulator shown in broken lines form no part of the claimed design.

The broken line(s) which define the bounds of the claimed design form no part thereof.

1 Claim, 5 Drawing Sheets



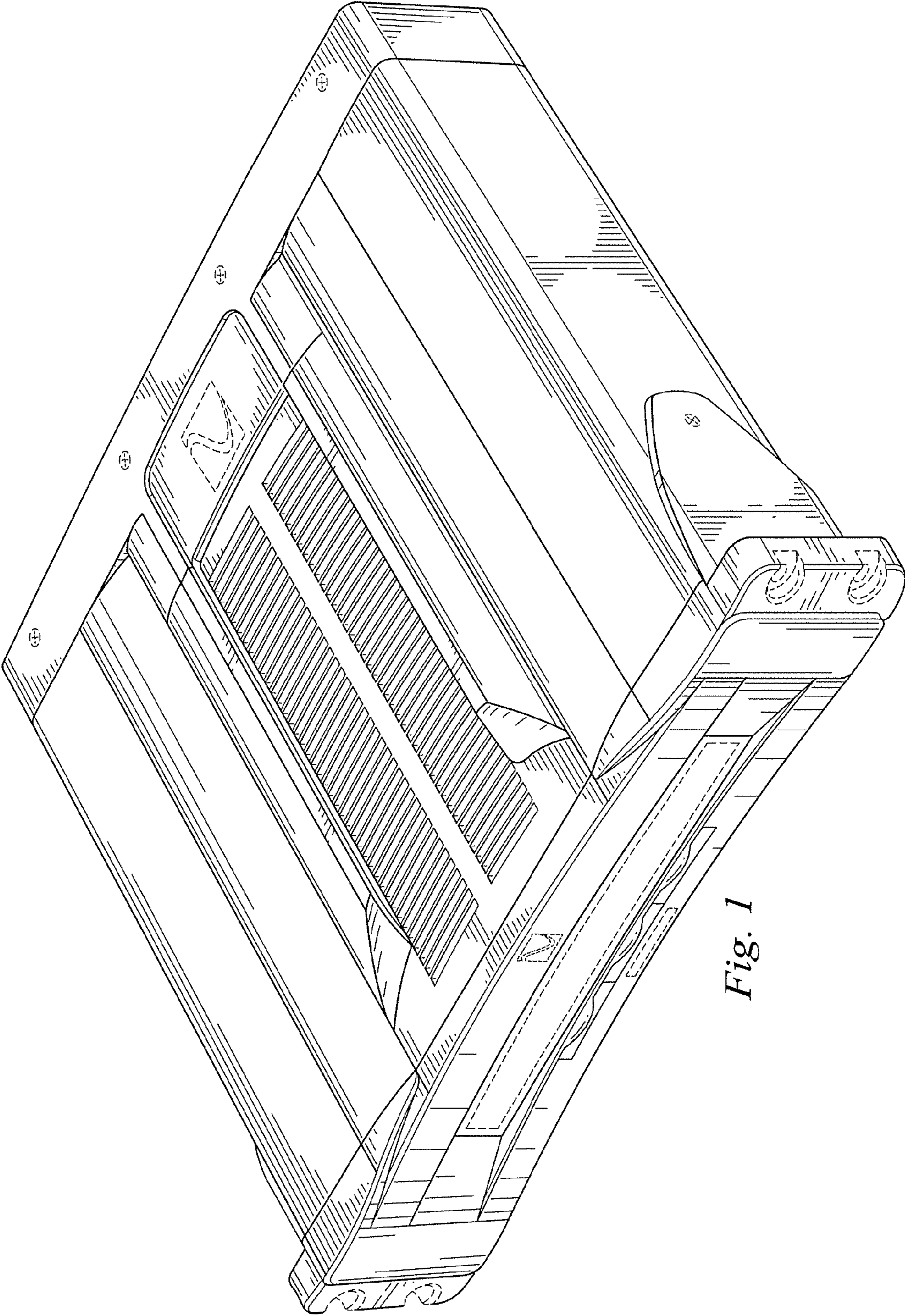


Fig. 1

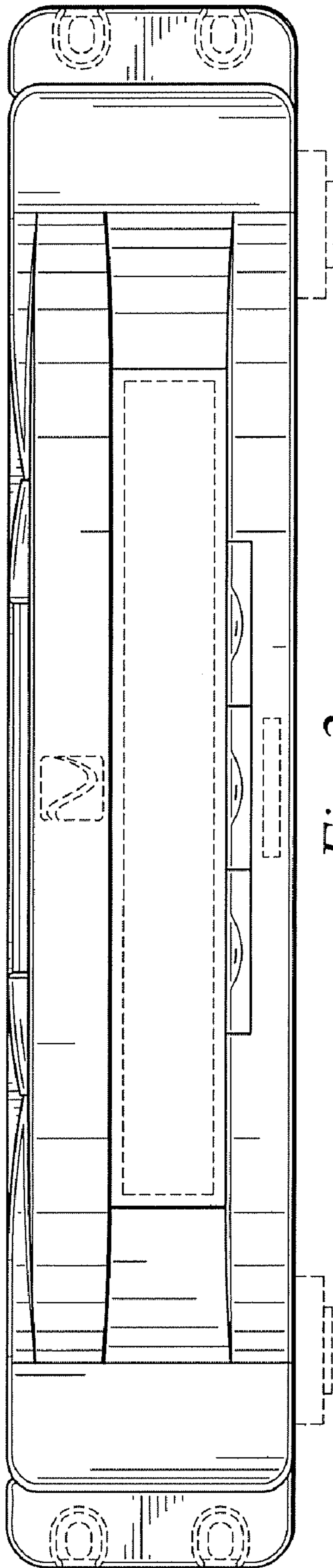


Fig. 2

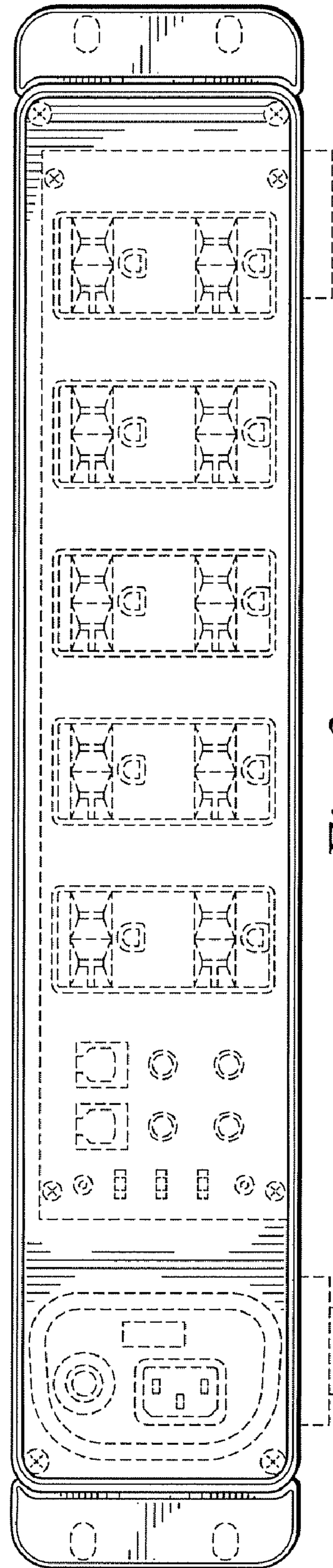


Fig. 3

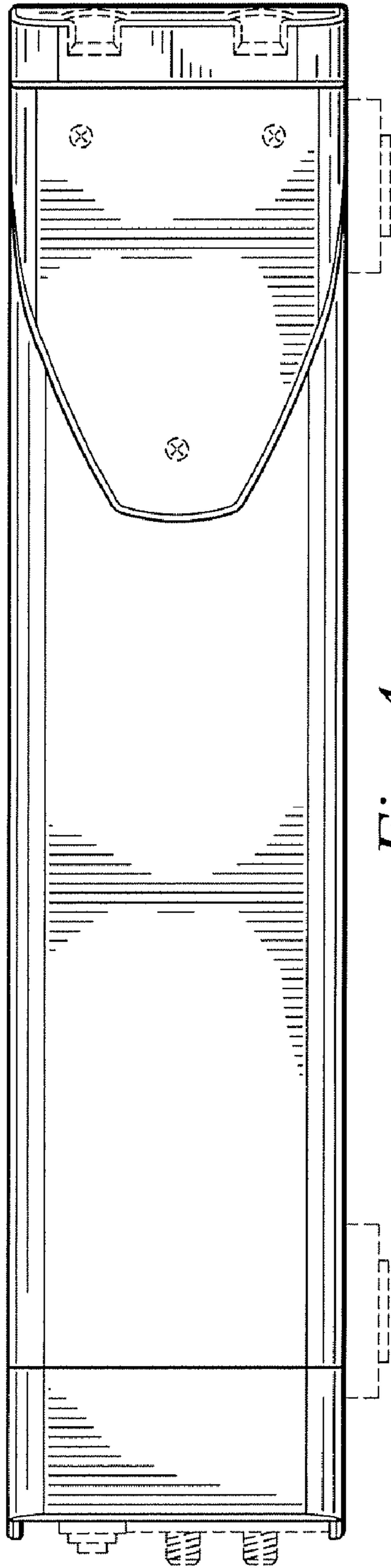


Fig. 4

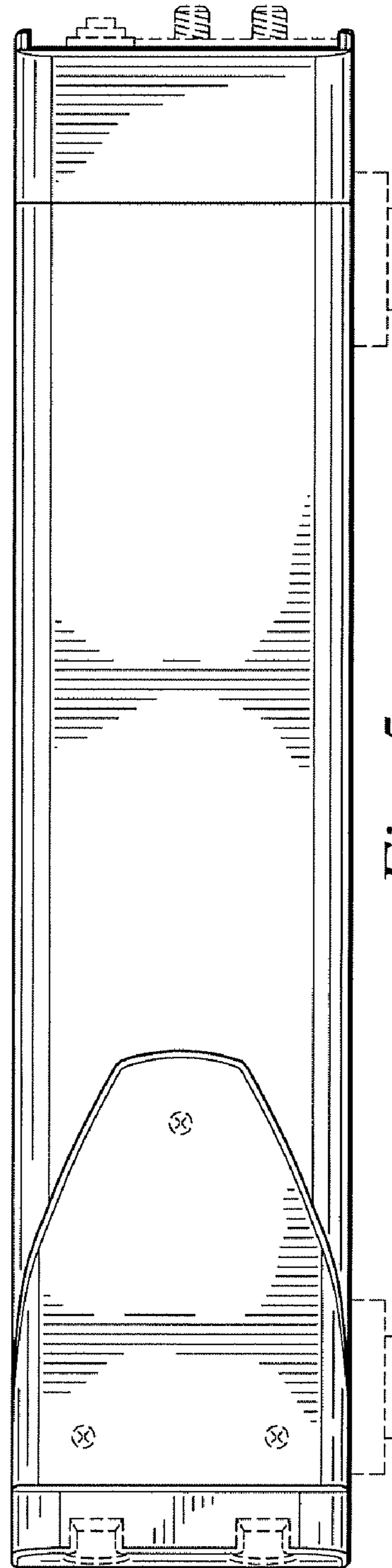


Fig. 5

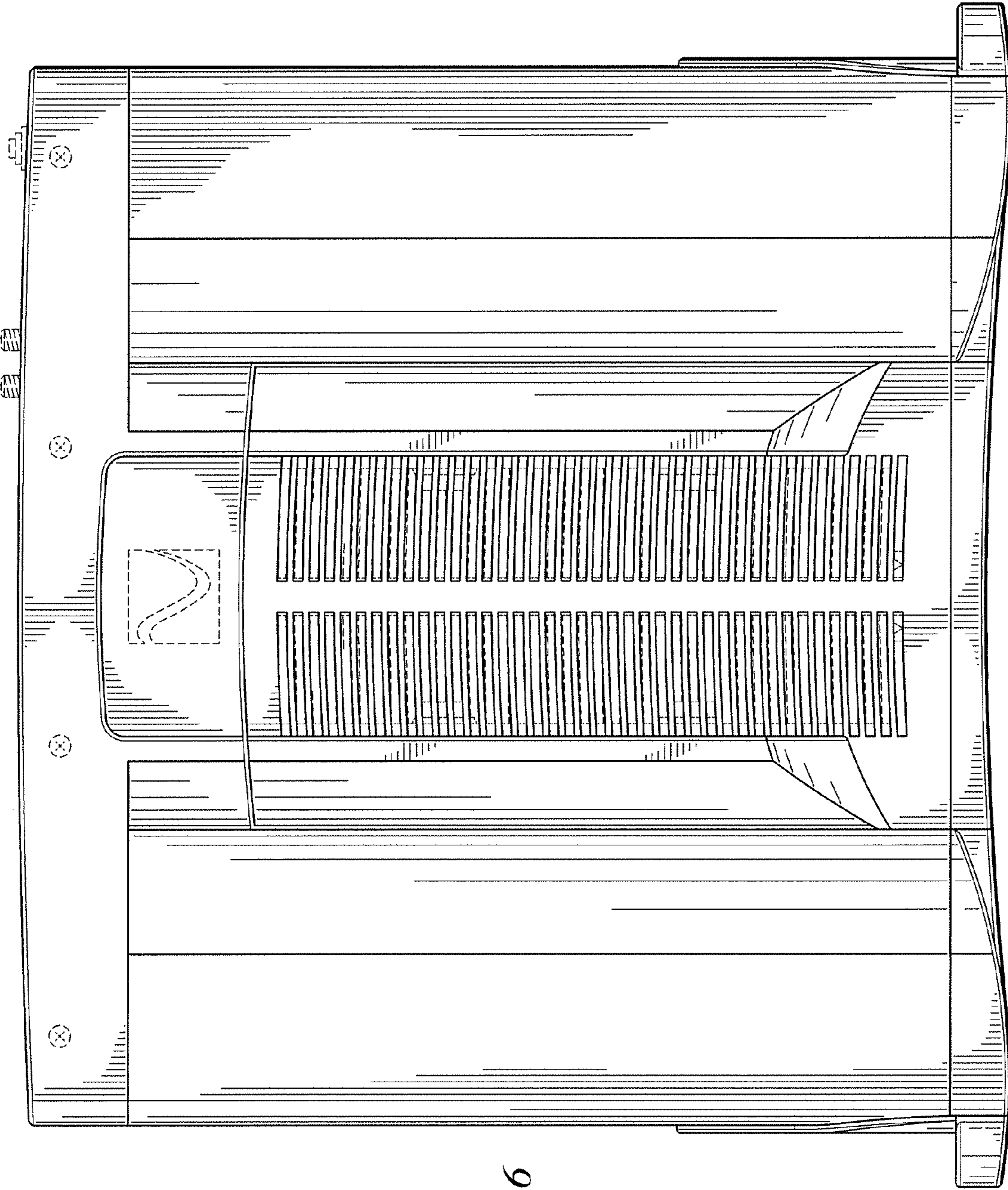


Fig. 6

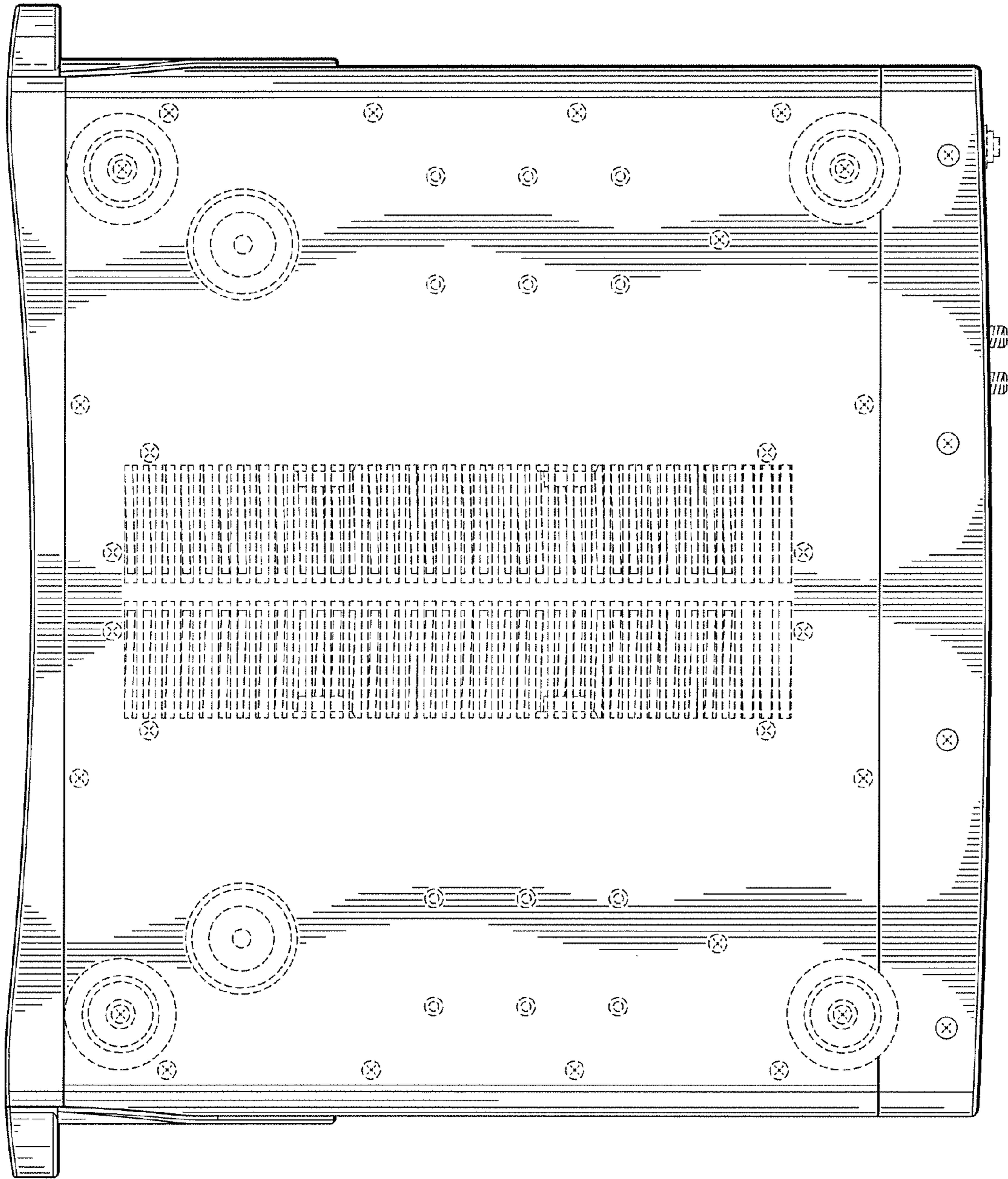


Fig. 7