



US00D566648S

(12) **United States Design Patent**
Lee

(10) **Patent No.:** **US D566,648 S**
(45) **Date of Patent:** **** Apr. 15, 2008**

(54) **UNIVERSAL ADAPTOR FOR MOUNTS**

(75) Inventor: **Michael Lee**, Winter Garden, FL (US)

(73) Assignee: **High Gear Specialties, Inc.**, Oakland, FL (US)

(**) Term: **14 Years**

(21) Appl. No.: **29/261,405**

(22) Filed: **Jun. 12, 2006**

(51) **LOC (8) Cl.** **12-16**

(52) **U.S. Cl.** **D12/415; D8/354**

(58) **Field of Classification Search** D8/363,
D8/354; D12/415; D14/451-452; 248/278.1,
248/274.1, 284.1

See application file for complete search history.

(56) **References Cited**

U.S. PATENT DOCUMENTS

D231,195 S *	4/1974	Reynolds	D12/415
D248,636 S *	7/1978	Stanley	D12/415
D332,789 S *	1/1993	Rak	D14/251
D388,762 S *	1/1998	Nagy	D12/415
D398,796 S *	9/1998	Fauchald et al.	D6/512
D419,415 S *	1/2000	Richter	D8/71
6,113,047 A *	9/2000	Wung et al.	248/284.1
D487,270 S *	3/2004	Richter	D14/447

D530,333 S *	10/2006	Richter	D14/447
D533,054 S *	12/2006	Brassard	D8/373
D533,055 S *	12/2006	Brassard	D8/373
D533,174 S *	12/2006	Richter	D14/251

* cited by examiner

Primary Examiner—Holly H. Baynham

(74) *Attorney, Agent, or Firm*—GrayRobinson, PA

(57) **CLAIM**

The ornamental design of a universal adaptor for mounts, as shown and described.

DESCRIPTION

FIG. 1 is a perspective view of my ornamental design of a universal adaptor for a mount;

FIG. 2 is a front view thereof;

FIG. 3 is a rear view thereof;

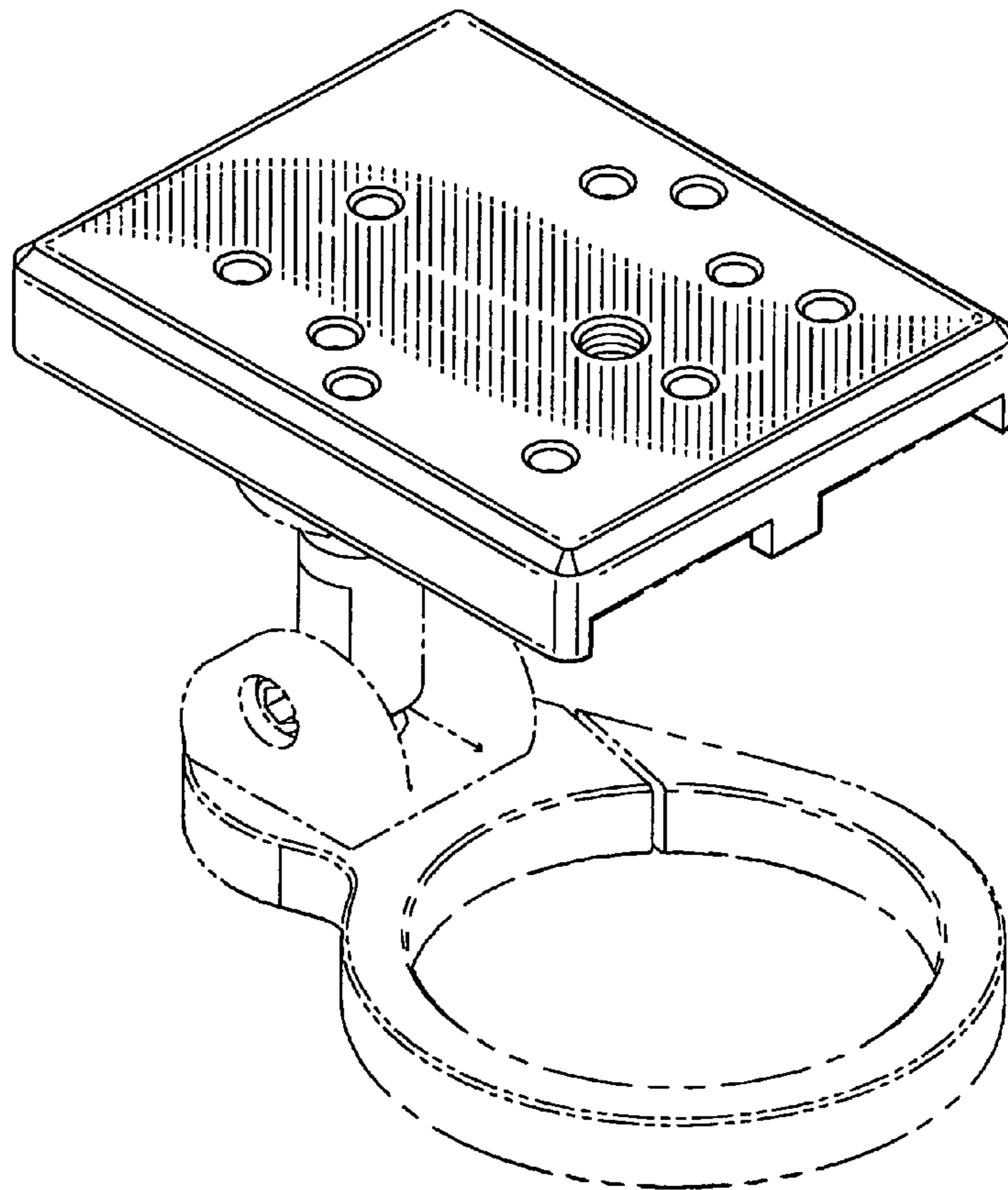
FIG. 4 is a side view thereof;

FIG. 5 is a top, plan view thereof; and,

FIG. 6 is a bottom, plan view thereof.

The broken lines shown in FIG. 1 depict a mount to which the universal adaptor herein may be connected, are for illustrative purposes only and form no part of the claimed design.

1 Claim, 3 Drawing Sheets



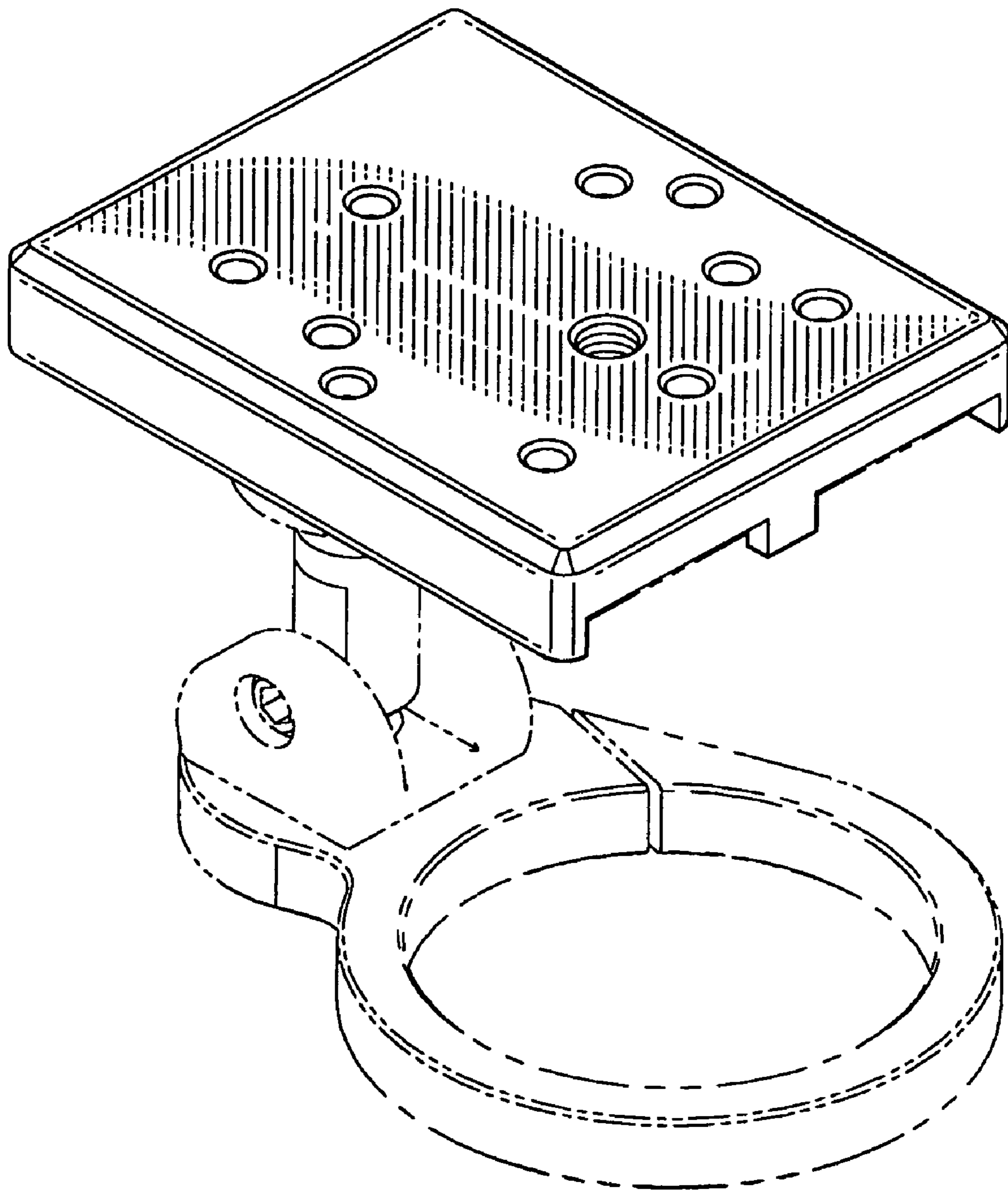


FIG. 1

FIG. 2

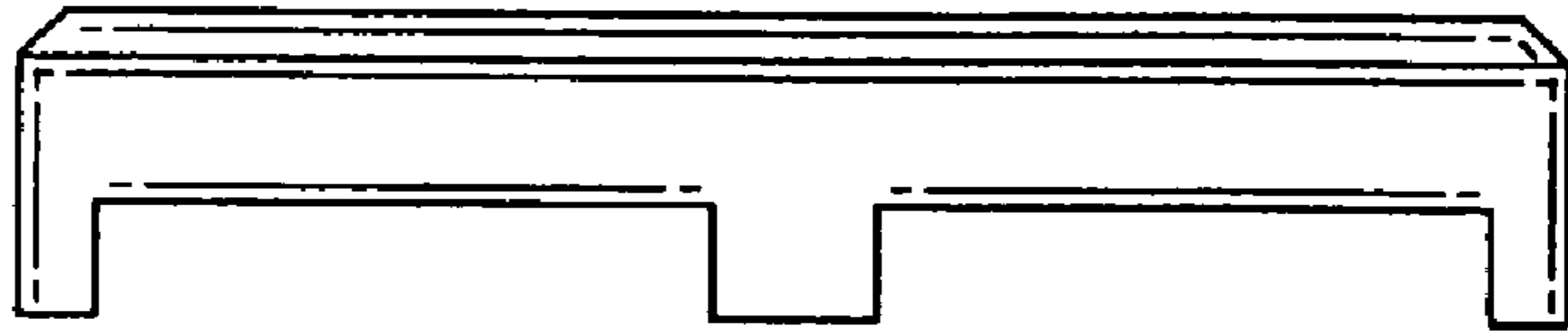


FIG. 3

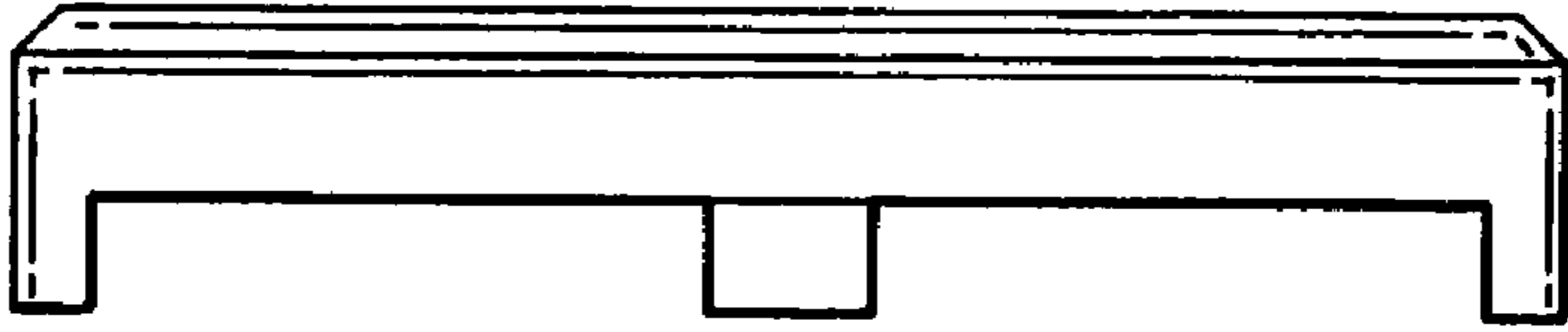


FIG. 4

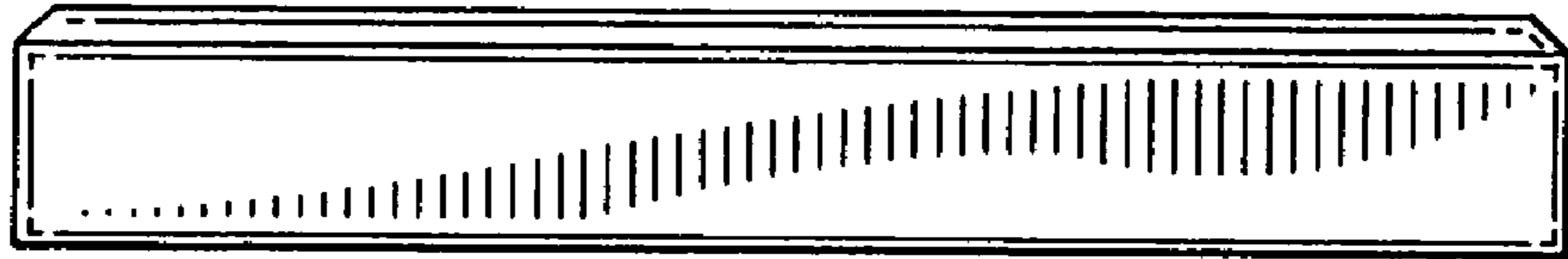


FIG. 5

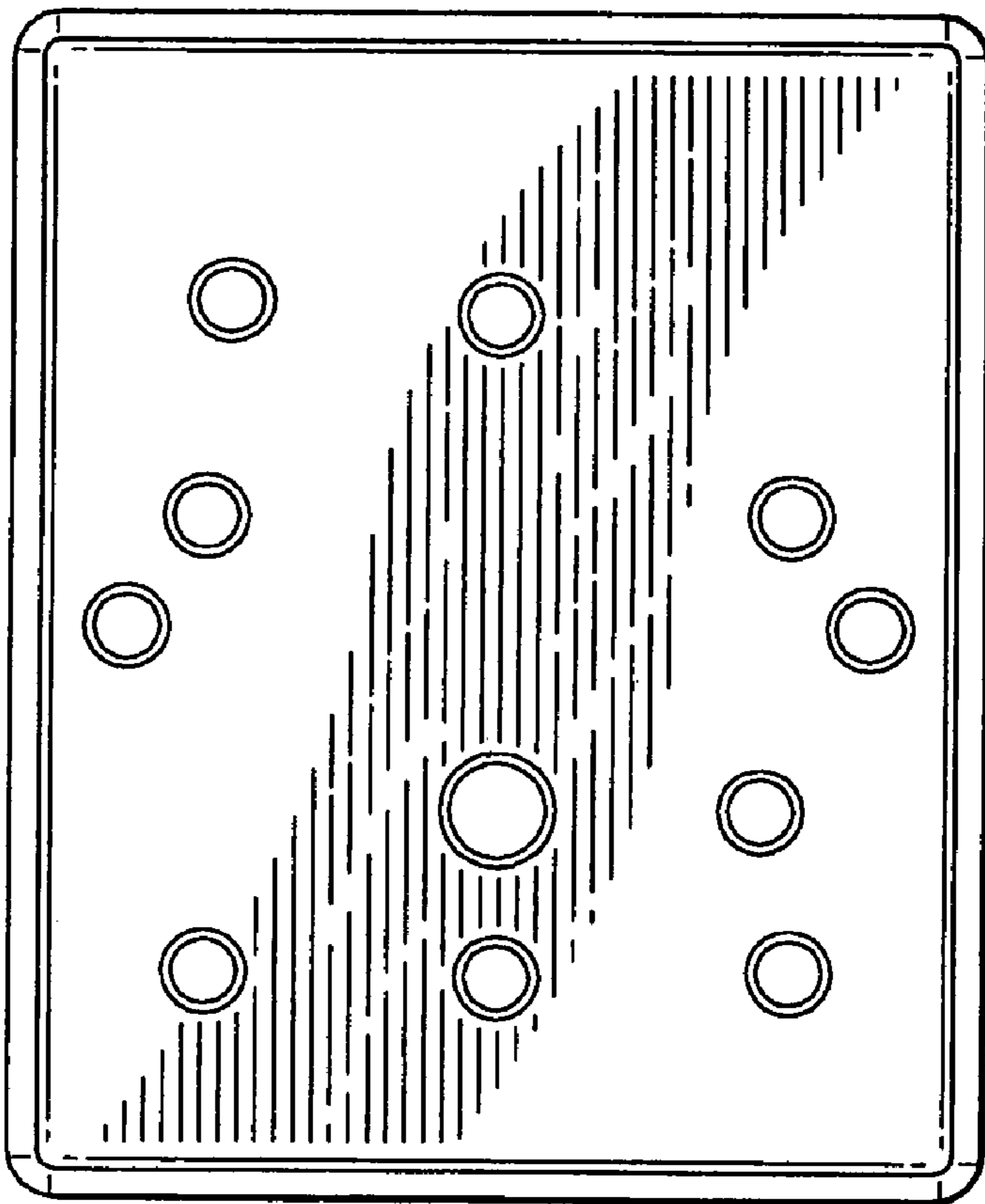


FIG. 6

