



US00D566646S

(12) **United States Design Patent**
Whittaker

(10) **Patent No.:** **US D566,646 S**

(45) **Date of Patent:** **** Apr. 15, 2008**

(54) **UNIVERSAL TOOL CARRIER**

(76) Inventor: **John Whittaker**, 393 Canterbury Rd.,
Bay Village, OH (US) 44140

(**) Term: **14 Years**

(21) Appl. No.: **29/268,877**

(22) Filed: **Nov. 15, 2006**

(51) **LOC (8) Cl.** **12-99**

(52) **U.S. Cl.** **D12/414.1**

(58) **Field of Classification Search** D12/274–275,
D12/294, 400, 406, 412–413, 414.1, 423–424,
D12/905; D9/341, 414, 432, 420–424; 206/1.7–1.9,
206/45.31–45.34, 216; 224/275, 929, 541–543;
D3/200–201, 273, 276, 294, 304, 309, 315,
D3/905; 296/37.6, 100.1, 100.2, 100.6, 100.7,
296/100.9, 163–164

See application file for complete search history.

(56) **References Cited**

U.S. PATENT DOCUMENTS

2,038,932	A *	4/1936	Haupt	296/100.07
3,092,428	A *	6/1963	Kerschner	312/218
D222,315	S *	10/1971	Abraham	D3/284
D238,113	S *	12/1975	Hart	D3/294
D257,340	S *	10/1980	Grossman	D12/414.1
D274,139	S *	6/1984	Suffern et al.	D12/414.1
6,176,540	B1 *	1/2001	Whittaker	296/100.02

* cited by examiner

Primary Examiner—Louis S. Zarfes

Assistant Examiner—Kathleen Sims

(74) *Attorney, Agent, or Firm*—Joseph H. Taddeo

(57) **CLAIM**

The ornamental design for a universal tool carrier, as shown and described.

DESCRIPTION

FIG. 1 is a perspective view of the universal tool carrier showing my new design;

FIG. 2 is a top view thereof;

FIG. 3 is a front view thereof;

FIG. 4 is a right side view thereof;

FIG. 5 is a back view thereof;

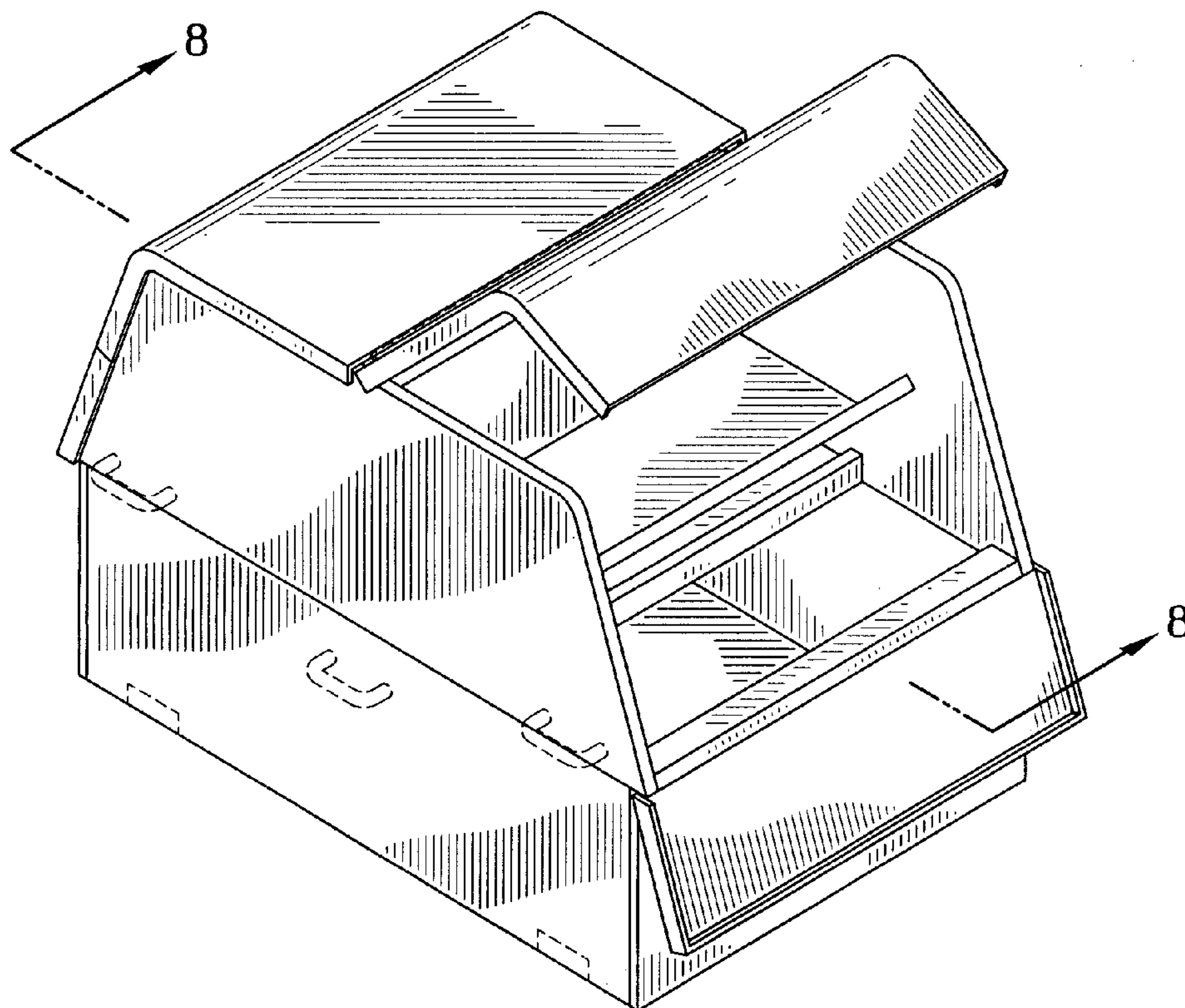
FIG. 6 is a left side view thereof;

FIG. 7 is a bottom view thereof; and,

FIG. 8 is a section view along line 8—8 of FIG. 1.

The broken line showing of handle and hinge details in FIGS. 1–8 is included for the purpose of illustrating portions of the universal tool carrier and forms no part of the claimed design.

1 Claim, 4 Drawing Sheets



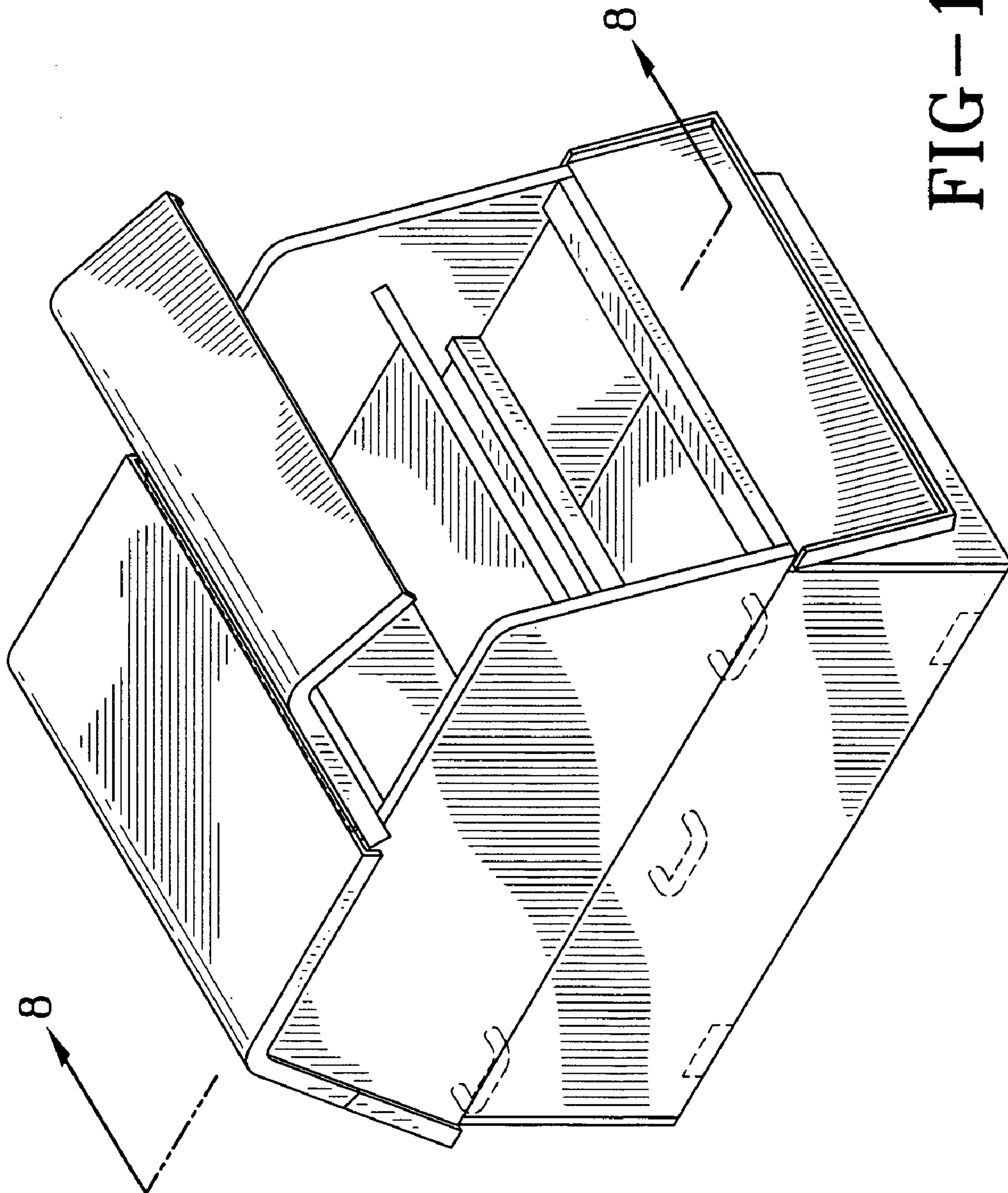


FIG-1

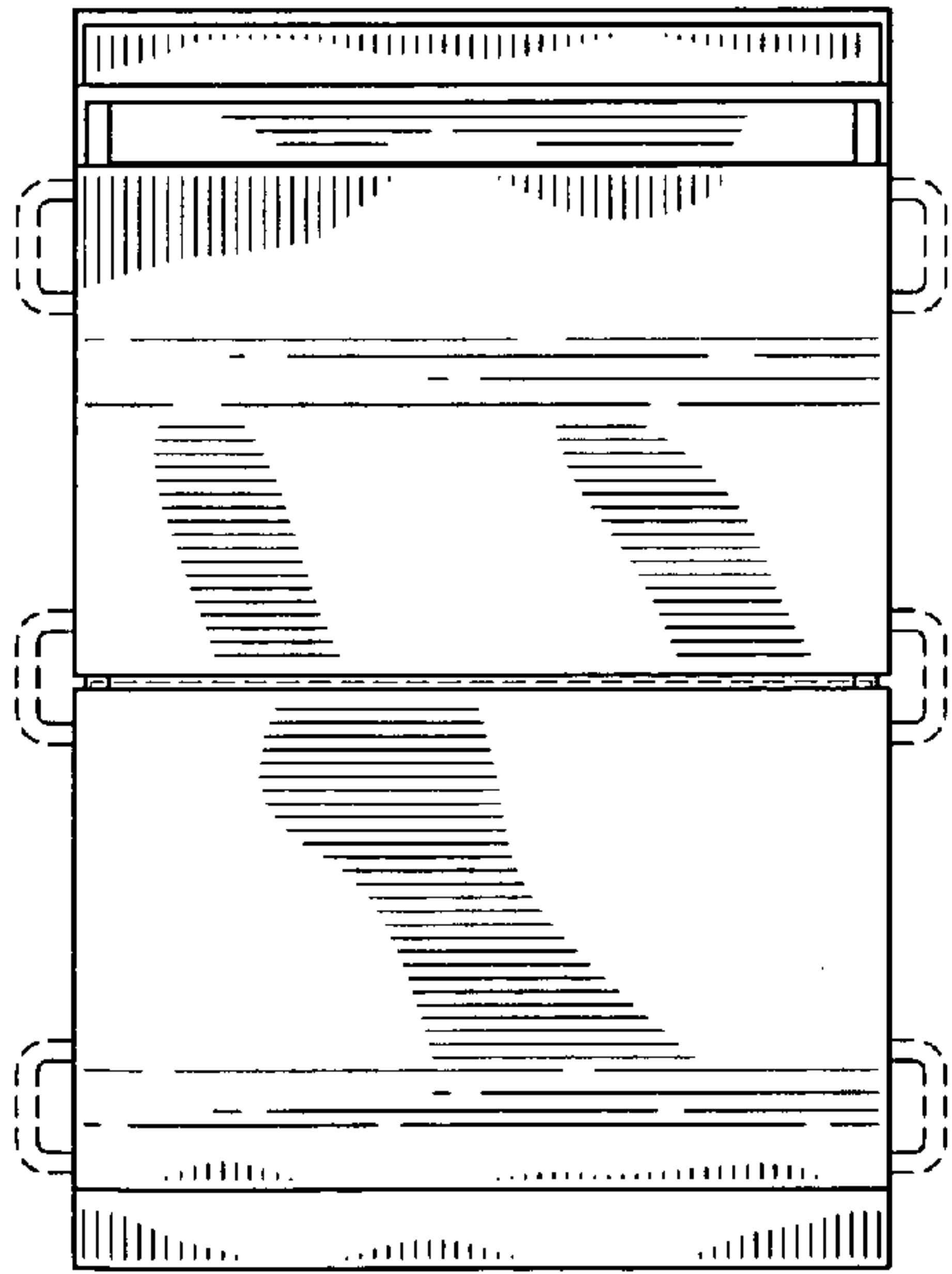


FIG-2

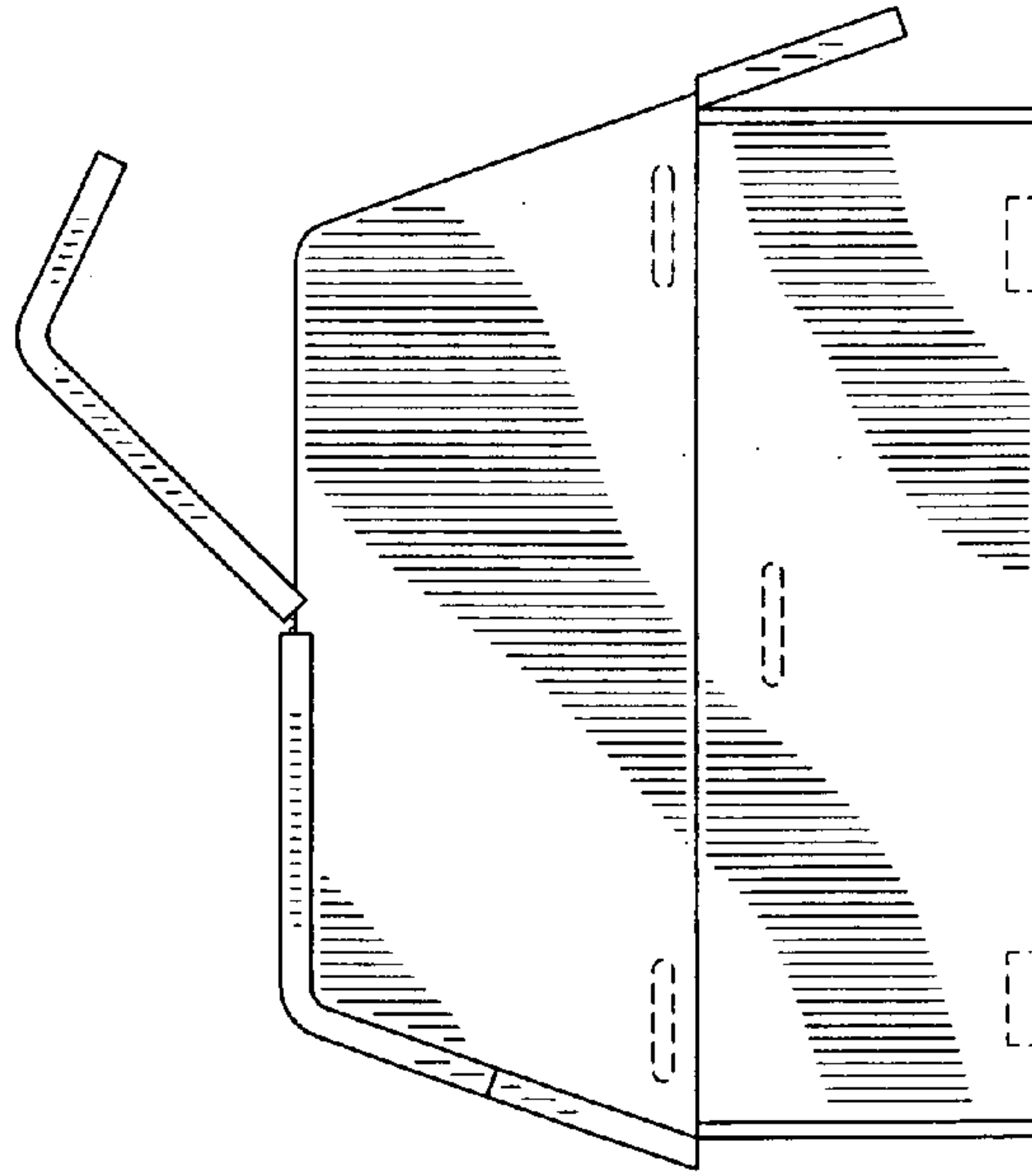


FIG-3

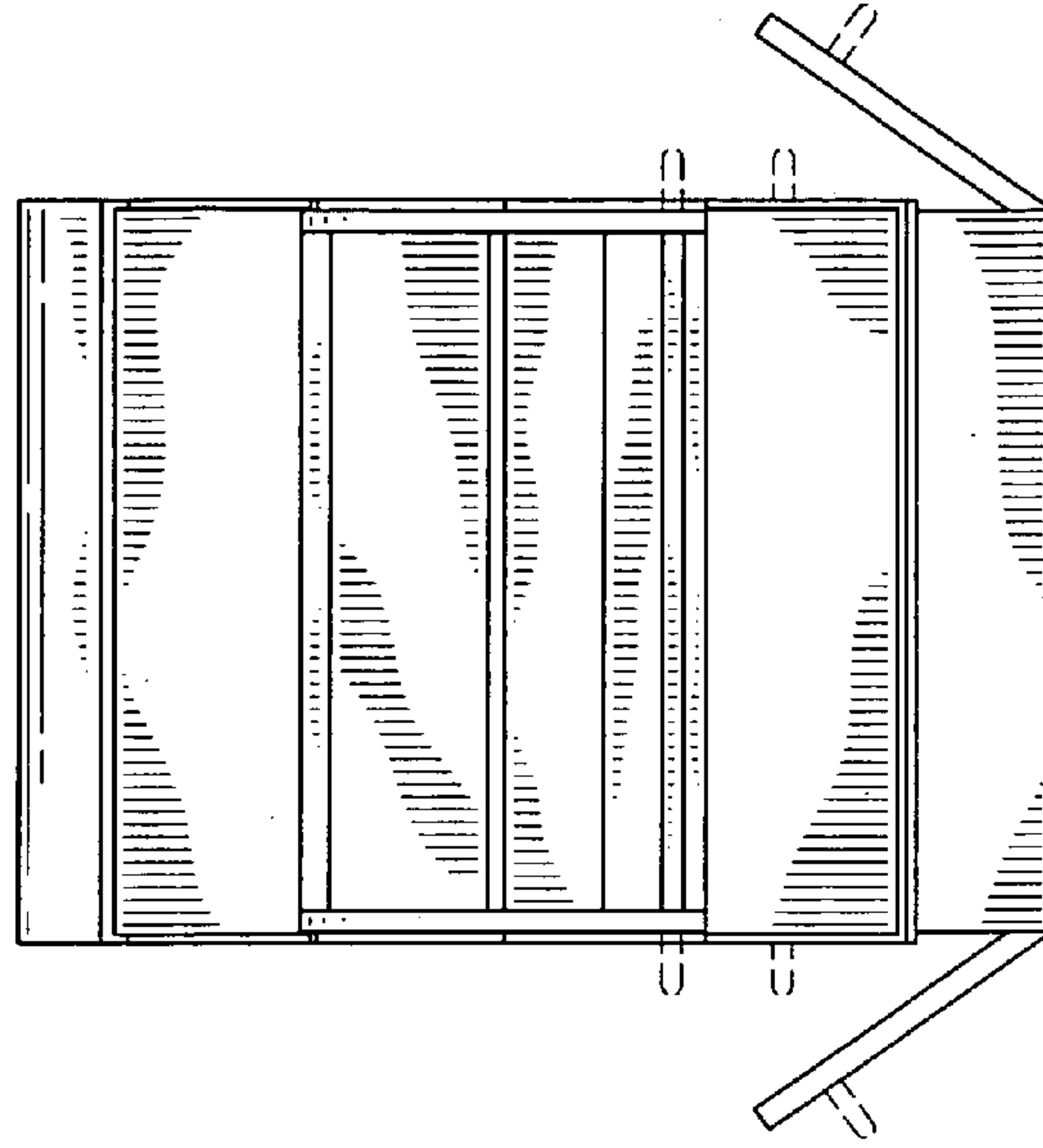


FIG-4

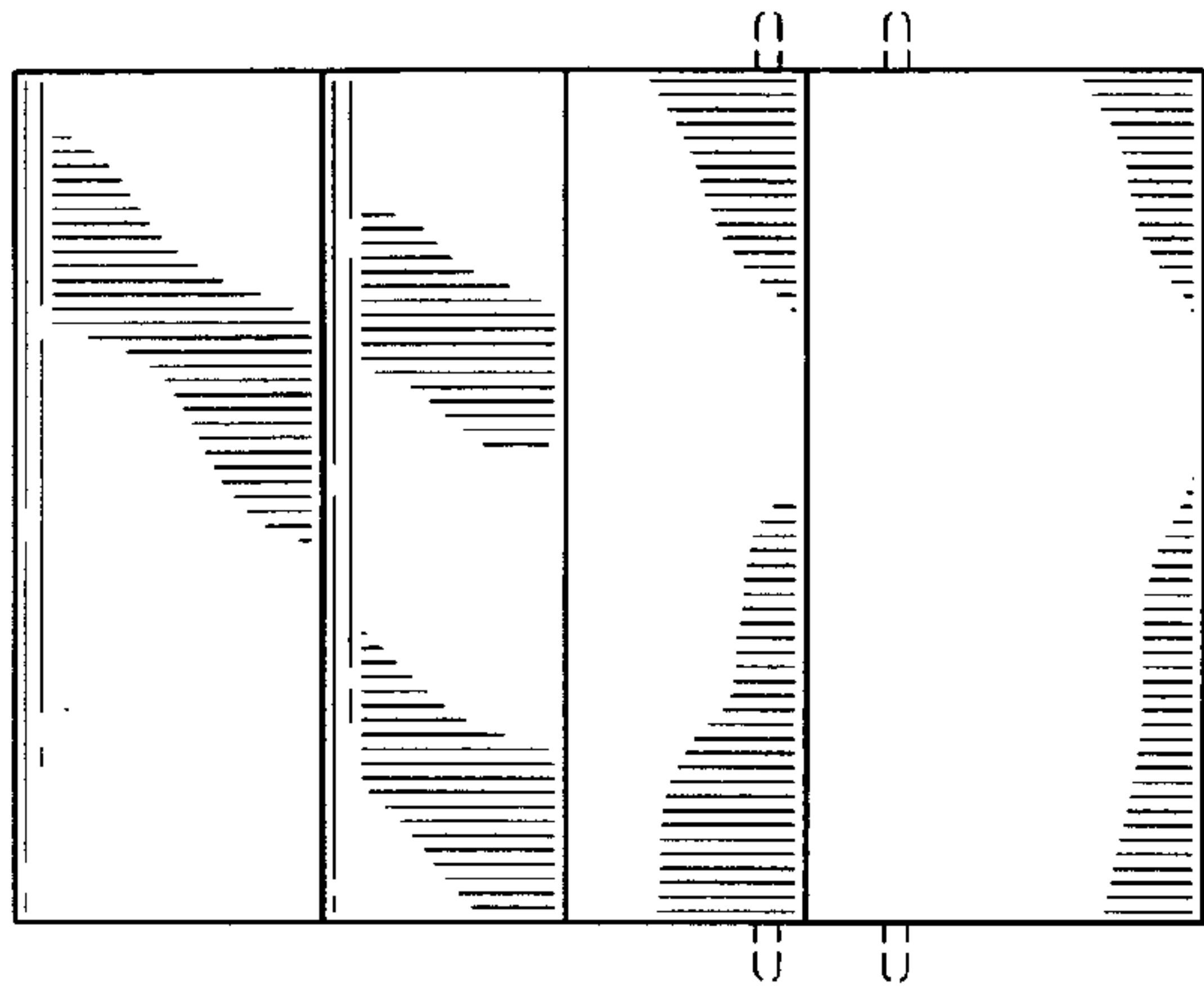


FIG-6

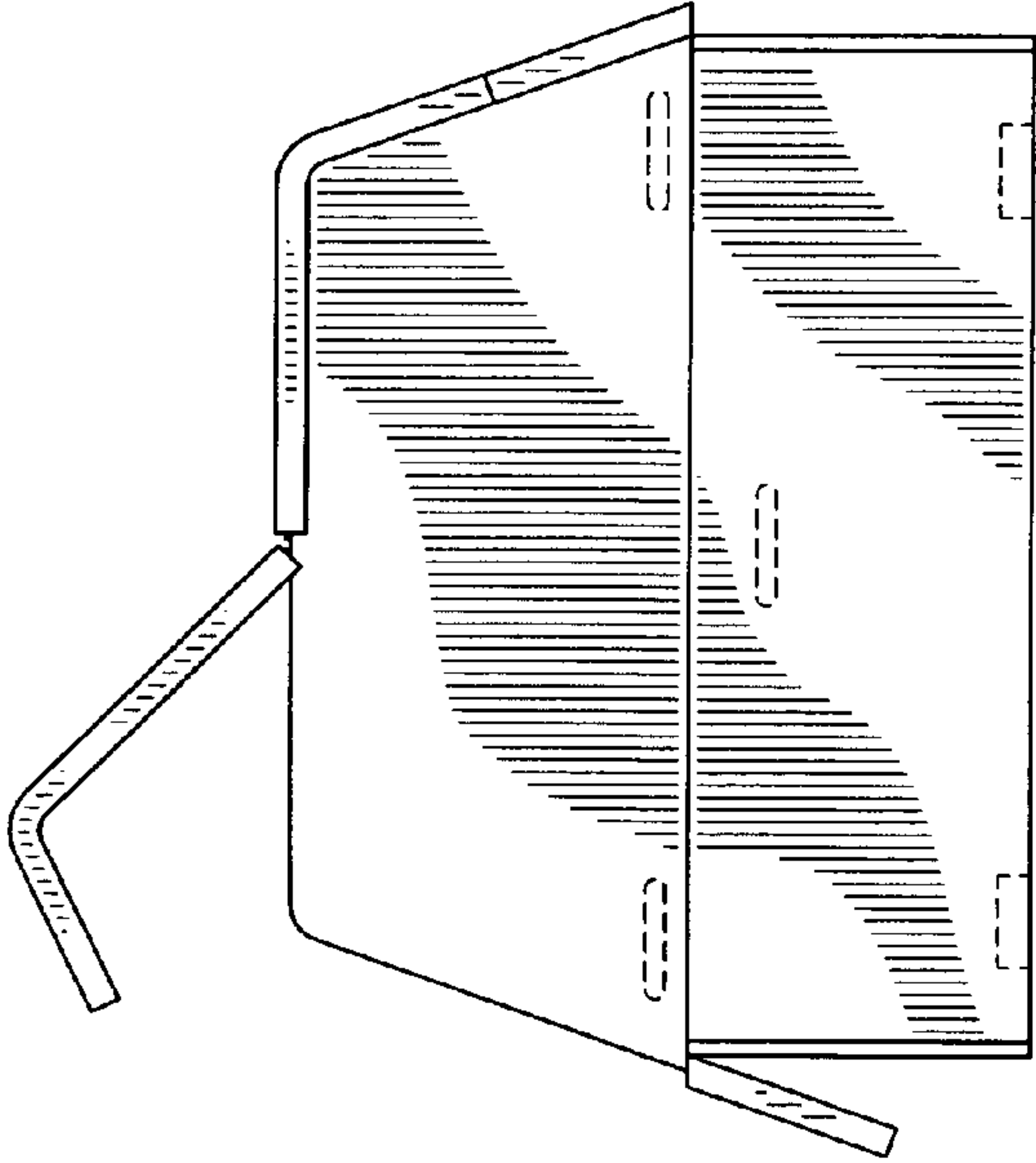


FIG-5

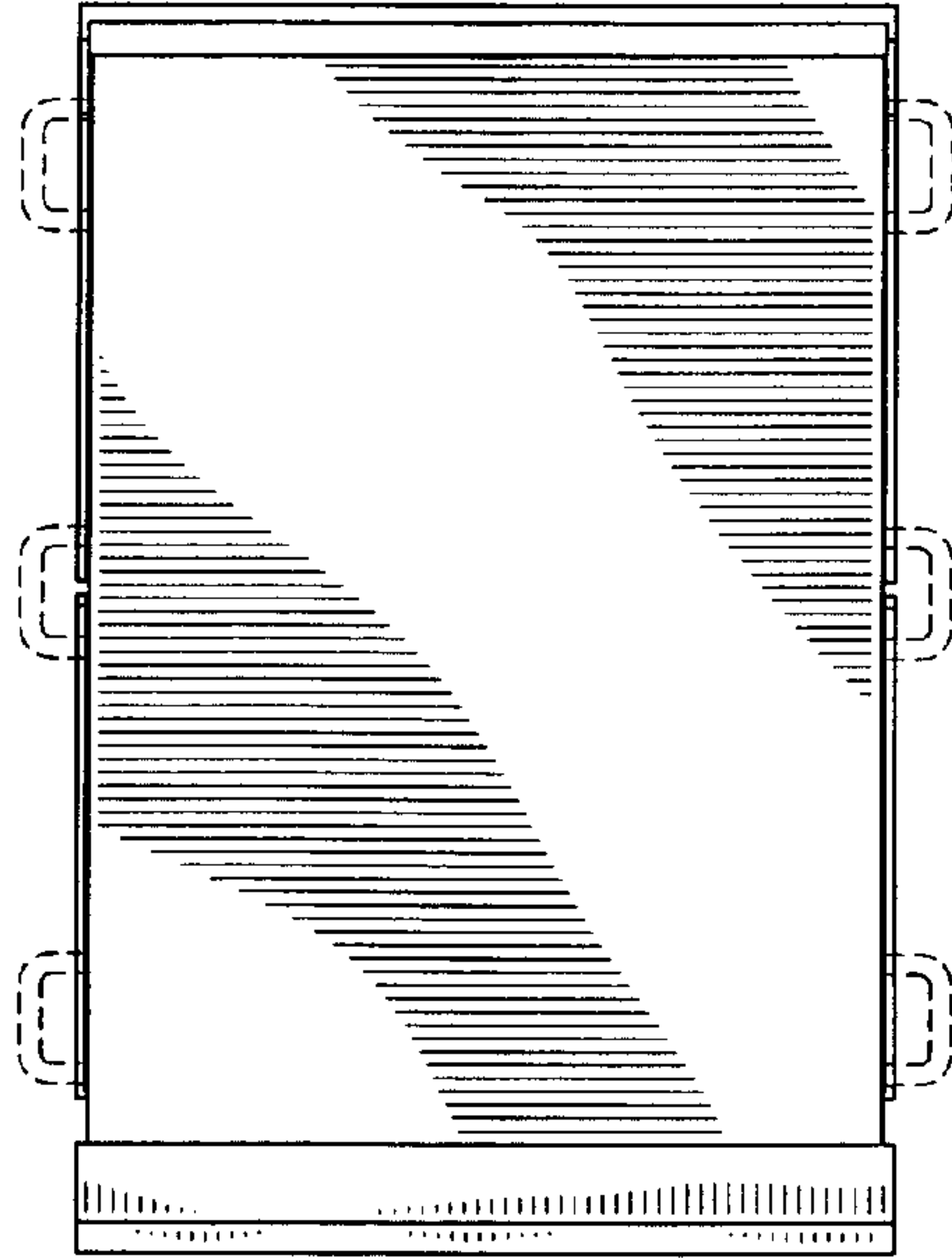


FIG-7

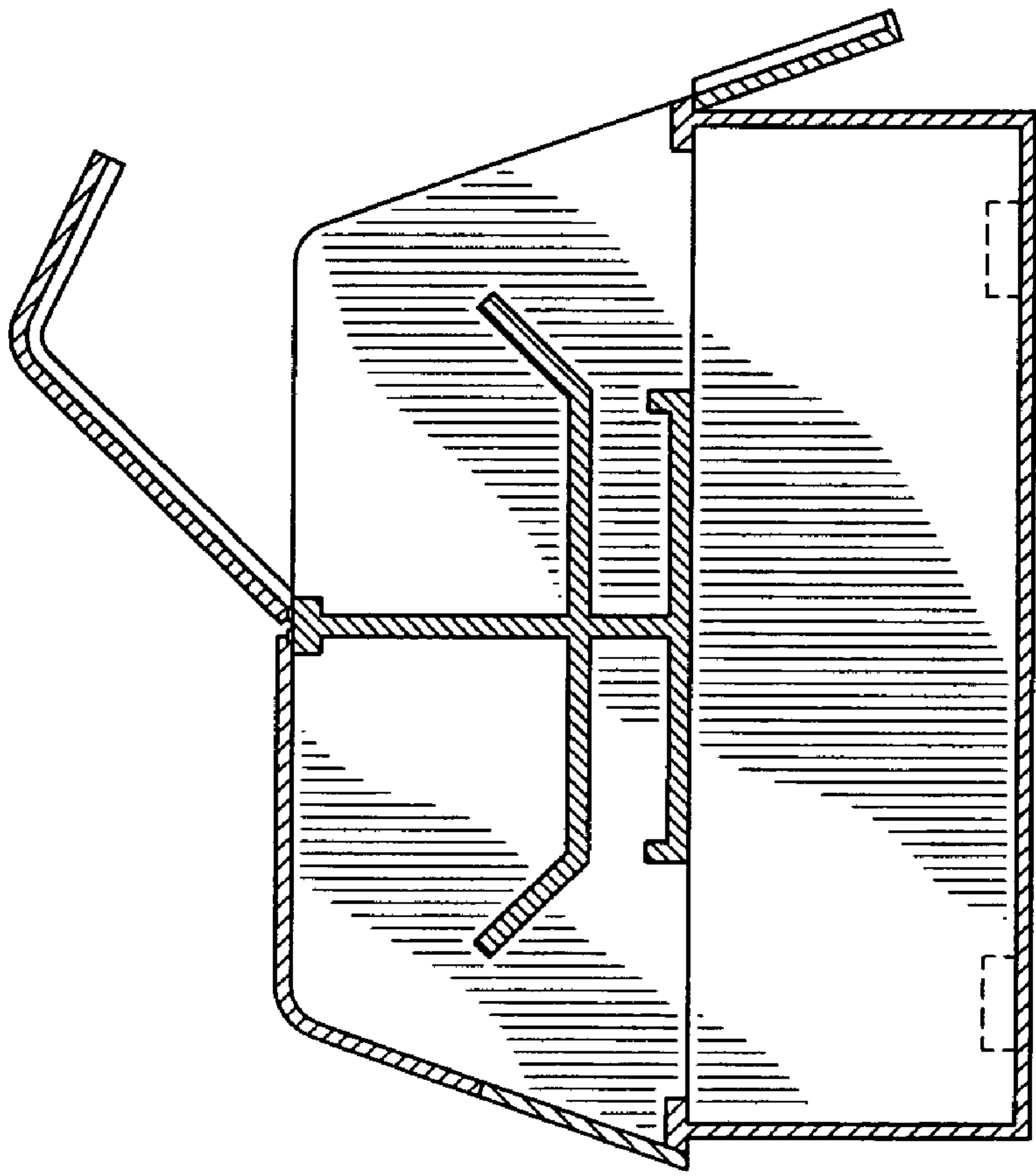


FIG-8