

US00D566643S

(12) **United States Design Patent**
Fafard et al.

(10) **Patent No.:** **US D566,643 S**
(45) **Date of Patent:** **** Apr. 15, 2008**

(54) **BOAT HULL**

(75) Inventors: **Michael Joseph Fafard**, Nashville, GA (US); **Michael Anthony Werle**, Nashville, GA (US); **William S. Pegg**, Nashville, GA (US); **James S. Phares**, Farmington Hills, MI (US)

(73) Assignee: **Chaparral Boats, Inc.**, Nashville, GA (US)

(**) Term: **14 Years**

(21) Appl. No.: **29/298,211**

(22) Filed: **Nov. 30, 2007**

Related U.S. Application Data

(63) Continuation of application No. 29/279,365, filed on Apr. 27, 2007.

(51) **LOC (8) Cl.** **12-06**

(52) **U.S. Cl.** **D12/300**

(58) **Field of Classification Search** D12/300, D12/302-304, 310-314, 316, 317; 114/39.11-39.15, 114/39.21-39.32, 61.1-61.22, 355-358, 288-290
See application file for complete search history.

(56) **References Cited**

U.S. PATENT DOCUMENTS

2,950,701 A * 8/1960 De Stefani 114/61.1

3,135,976 A * 6/1964 Winters 114/357
3,470,839 A * 10/1969 Sherman et al. 114/61.21
3,600,733 A * 8/1971 Lippisch 114/357
D438,506 S * 3/2001 Munson D12/300
D488,117 S * 4/2004 Bills et al. D12/300
D521,440 S * 5/2006 Mouawad D12/300

* cited by examiner

Primary Examiner—Holly H. Baynham

Assistant Examiner—Cynthia M Chin

(74) *Attorney, Agent, or Firm*—Fish & Richardson, P.C.

(57) **CLAIM**

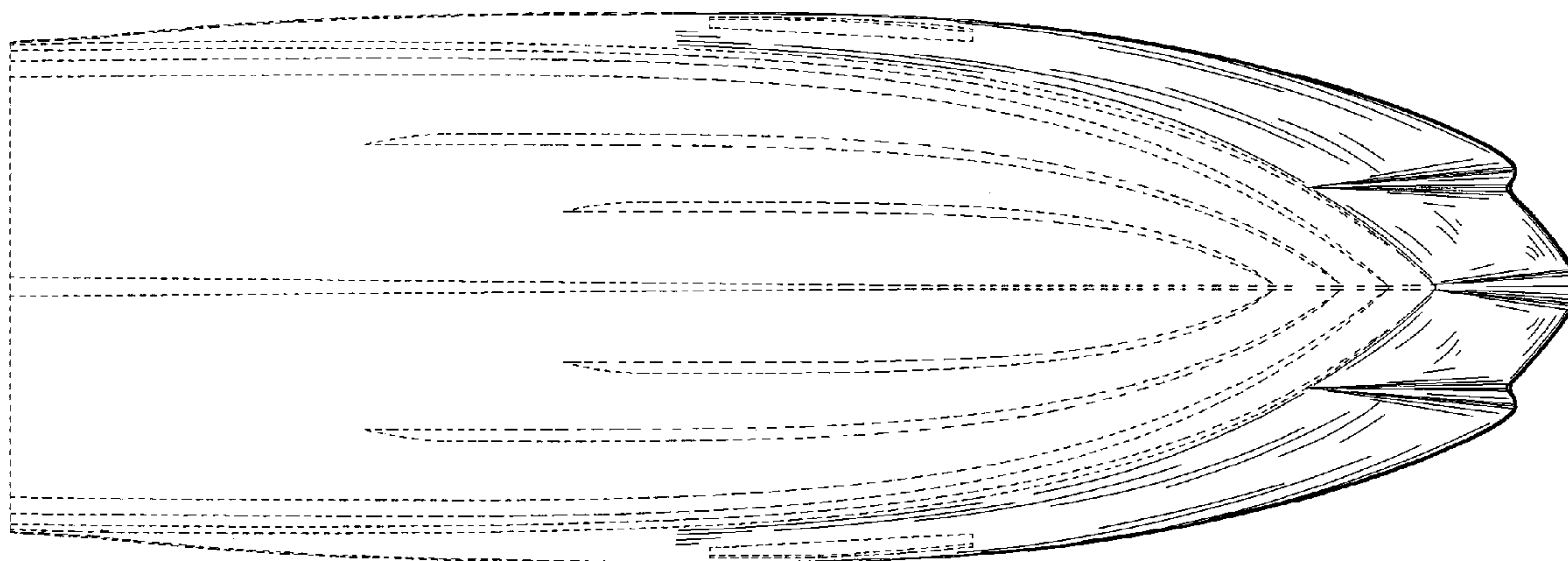
The ornamental design for a boat hull, as shown and described.

DESCRIPTION

FIG. 1 is a bottom right perspective view of a boat hull; FIG. 2 is a right side view taken from FIG. 1, the left side view being the same; FIG. 3 is a bottom view taken from FIG. 1; FIG. 4 is a front view taken from FIG. 1; and, FIG. 5 is a top view taken from FIG. 1.

The broken lines which define the bounds of the claimed design form no part thereof.

1 Claim, 3 Drawing Sheets



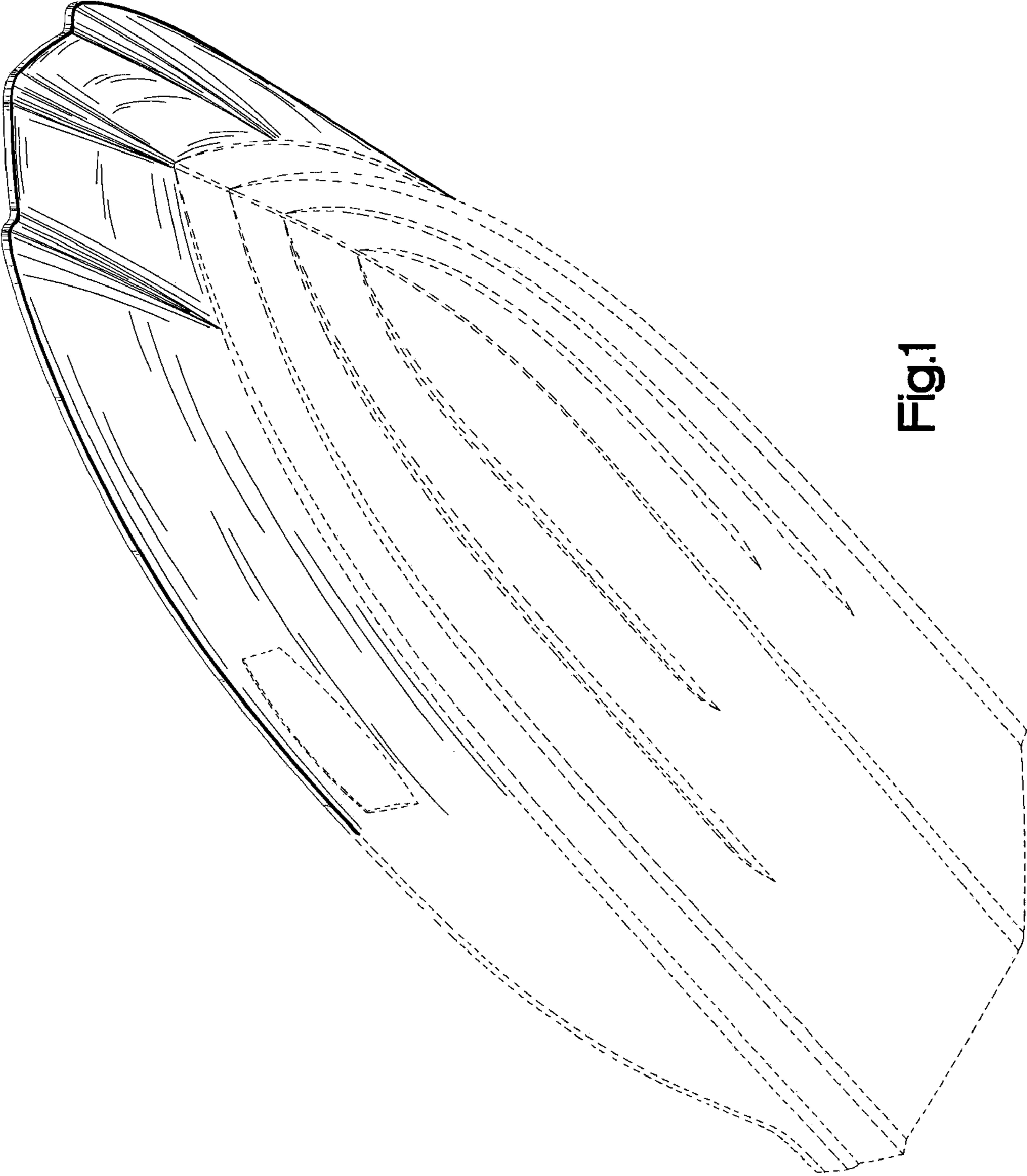


Fig.1

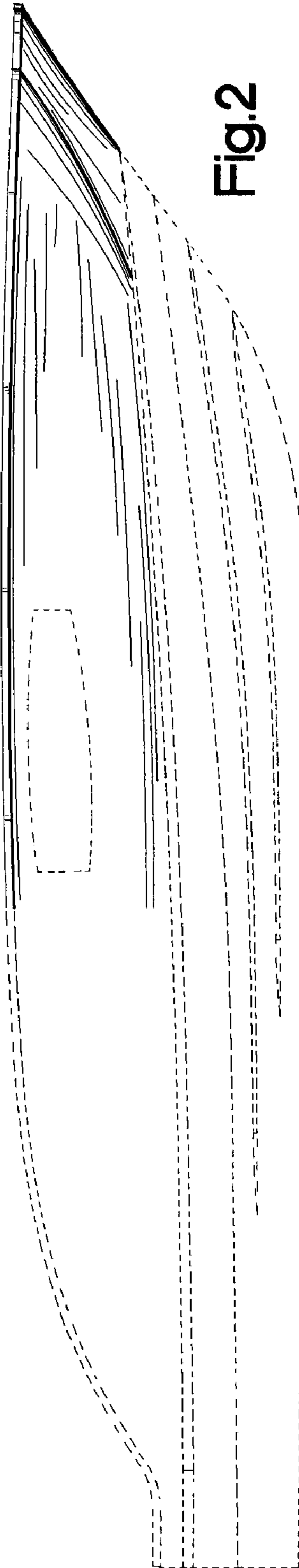


Fig.2

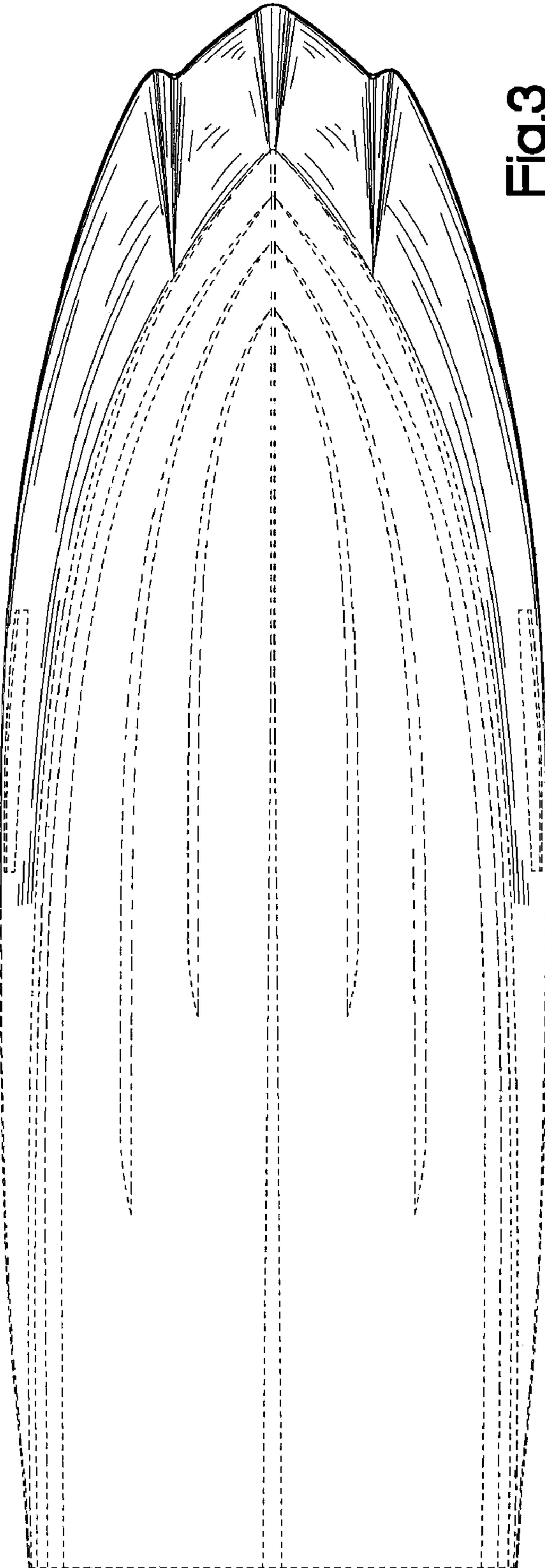


Fig.3

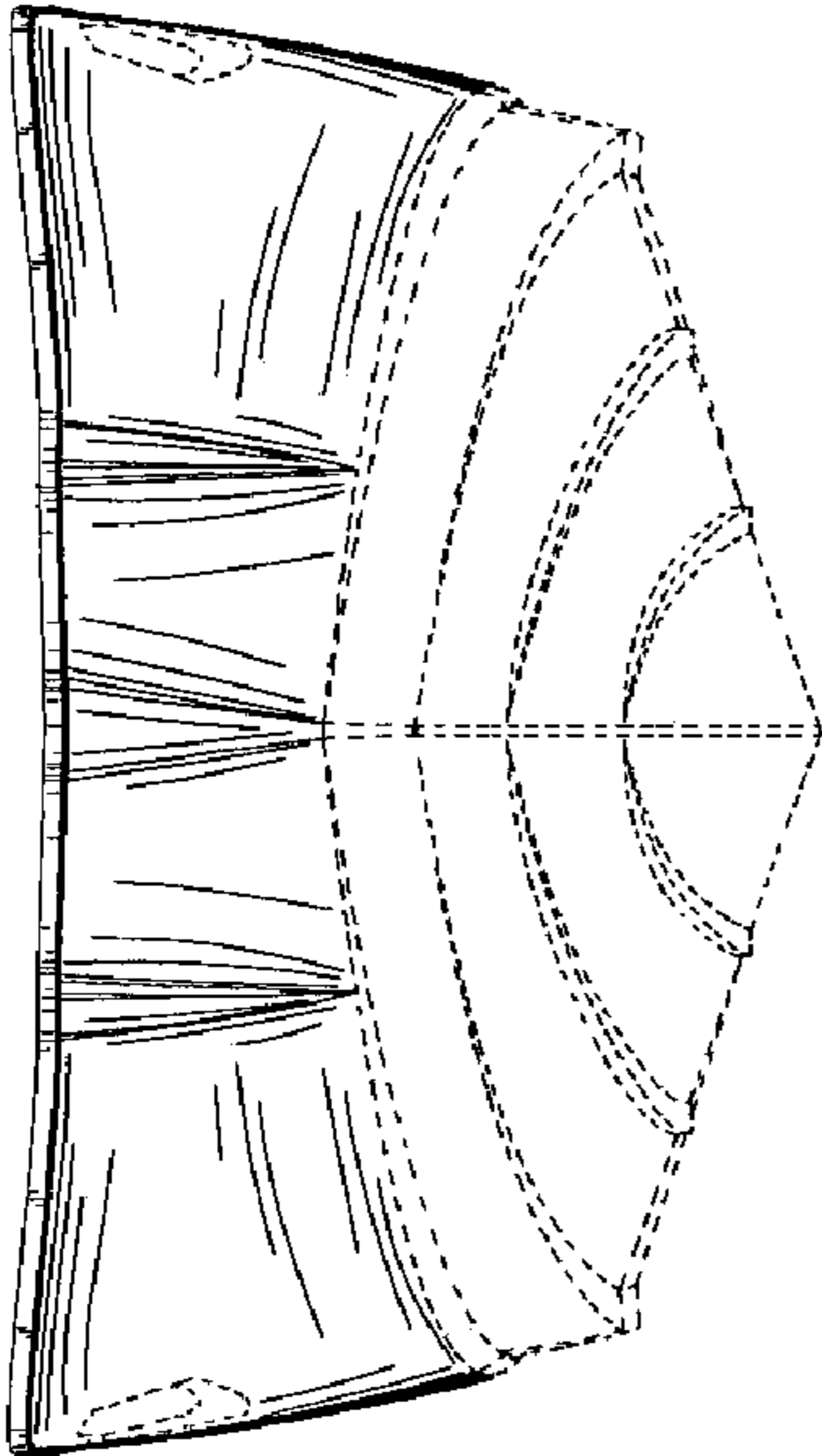


Fig.4

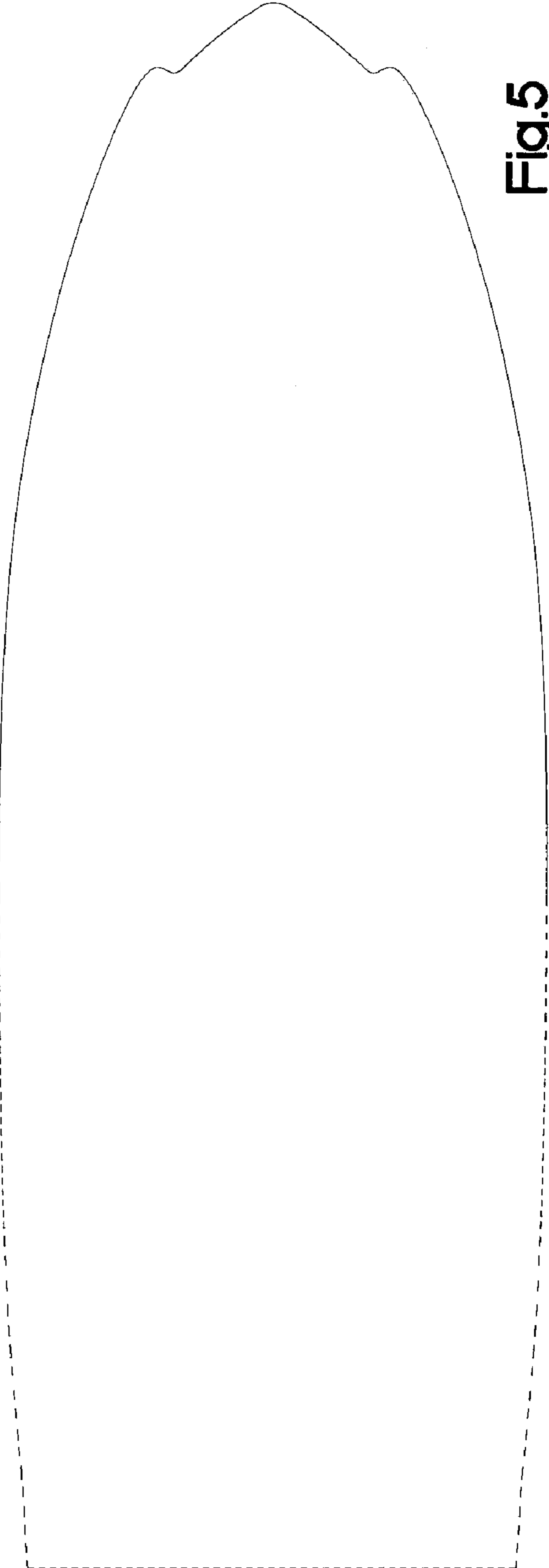


Fig.5