



US00D566642S

(12) **United States Design Patent**  
**Scheu**

(10) **Patent No.:** **US D566,642 S**

(45) **Date of Patent:** **\*\* Apr. 15, 2008**

(54) **FRONT FACE OF A VEHICLE WHEEL**

(75) Inventor: **Armin Scheu**, Stuttgart (DE)

(73) Assignee: **DaimlerChrysler AG**, Stuttgart (DE)

(\*\*) Term: **14 Years**

(21) Appl. No.: **29/287,434**

(22) Filed: **Aug. 6, 2007**

(30) **Foreign Application Priority Data**

Feb. 7, 2007 (EM) ..... 000665286-0002

(51) **LOC (8) Cl.** ..... **12-16**

(52) **U.S. Cl.** ..... **D12/211**

(58) **Field of Classification Search** ..... D12/204-213;  
301/37.101, 64.101, 65

See application file for complete search history.

(56) **References Cited**

**U.S. PATENT DOCUMENTS**

D409,552 S *	5/1999	Chung	.....	D12/211
D451,463 S *	12/2001	Murkett et al.	.....	D12/209
D456,333 S *	4/2002	Pollmann	.....	D12/211
D466,854 S *	12/2002	Kern	.....	D12/211
D475,337 S *	6/2003	Kataoka	.....	D12/209
D494,917 S *	8/2004	Pollmann	.....	D12/211
D495,289 S *	8/2004	Kataoka	.....	D12/211
D499,371 S *	12/2004	Koch	.....	D12/211

D506,719 S *	6/2005	Chen	.....	D12/211
D513,727 S *	1/2006	Gallert	.....	D12/211
D516,001 S *	2/2006	Tirado	.....	D12/209
D519,436 S *	4/2006	Chen	.....	D12/211
D528,957 S *	9/2006	Kim	.....	D12/209
D528,959 S *	9/2006	Sycha	.....	D12/209
D531,560 S *	11/2006	Loocho	.....	D12/209
D535,241 S *	1/2007	Kim	.....	D12/211
D546,265 S *	7/2007	Young	.....	D12/211

\* cited by examiner

*Primary Examiner*—Stacia Cadmus

(74) *Attorney, Agent, or Firm*—Crowell & Moring LLP

(57) **CLAIM**

The ornamental design for a front face of a vehicle wheel, as shown and described.

**DESCRIPTION**

FIG. 1 is a front view of a first embodiment of a front face of a vehicle wheel according to my novel design; and

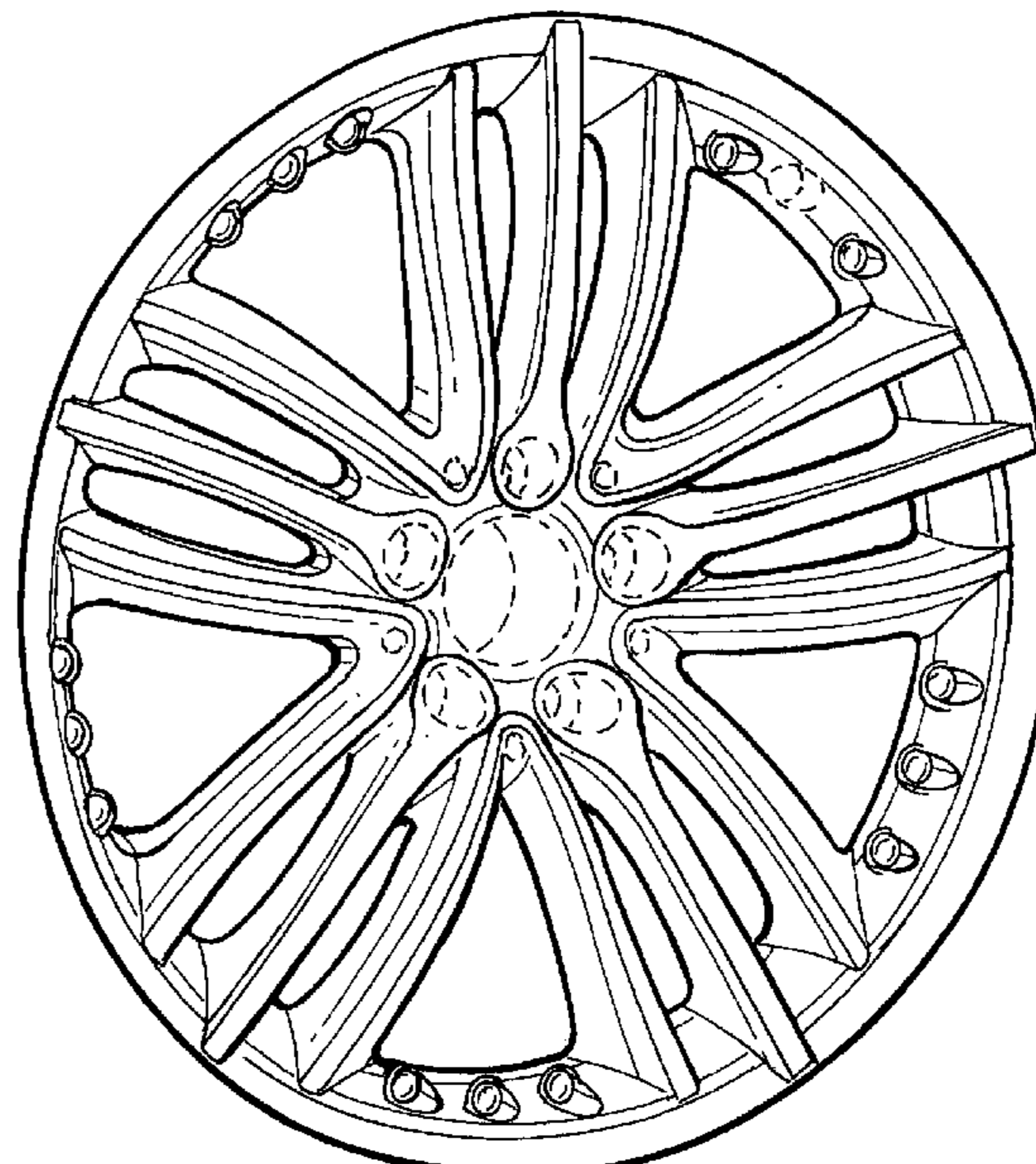
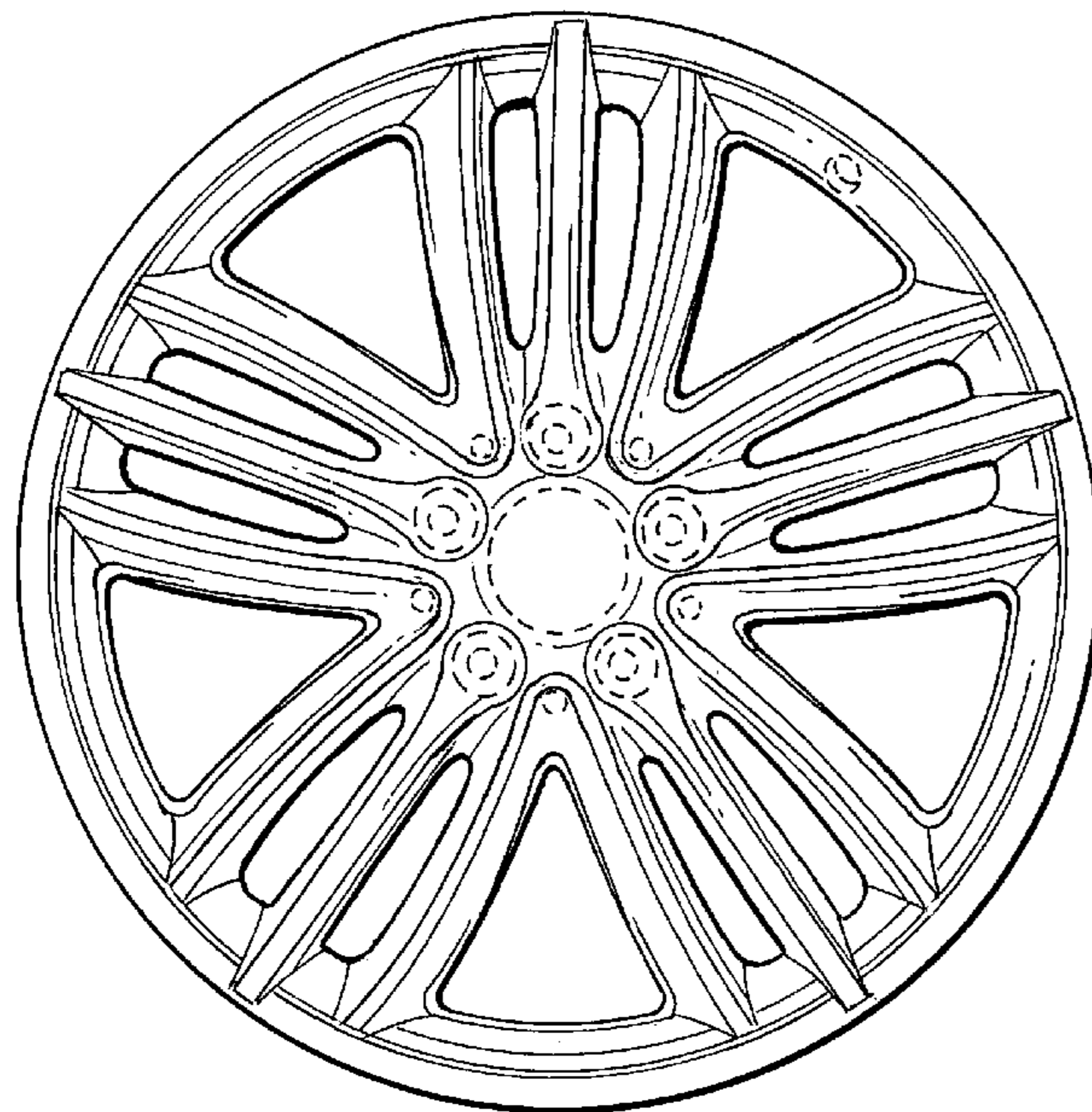
FIG. 2 is a perspective view thereof.

FIG. 3 is a front view of a second embodiment of the front face of a vehicle wheel according to my novel design; and,

FIG. 4 is a perspective view thereof.

The broken lines are for illustrative purposes only and form no part of the claimed design.

**1 Claim, 2 Drawing Sheets**



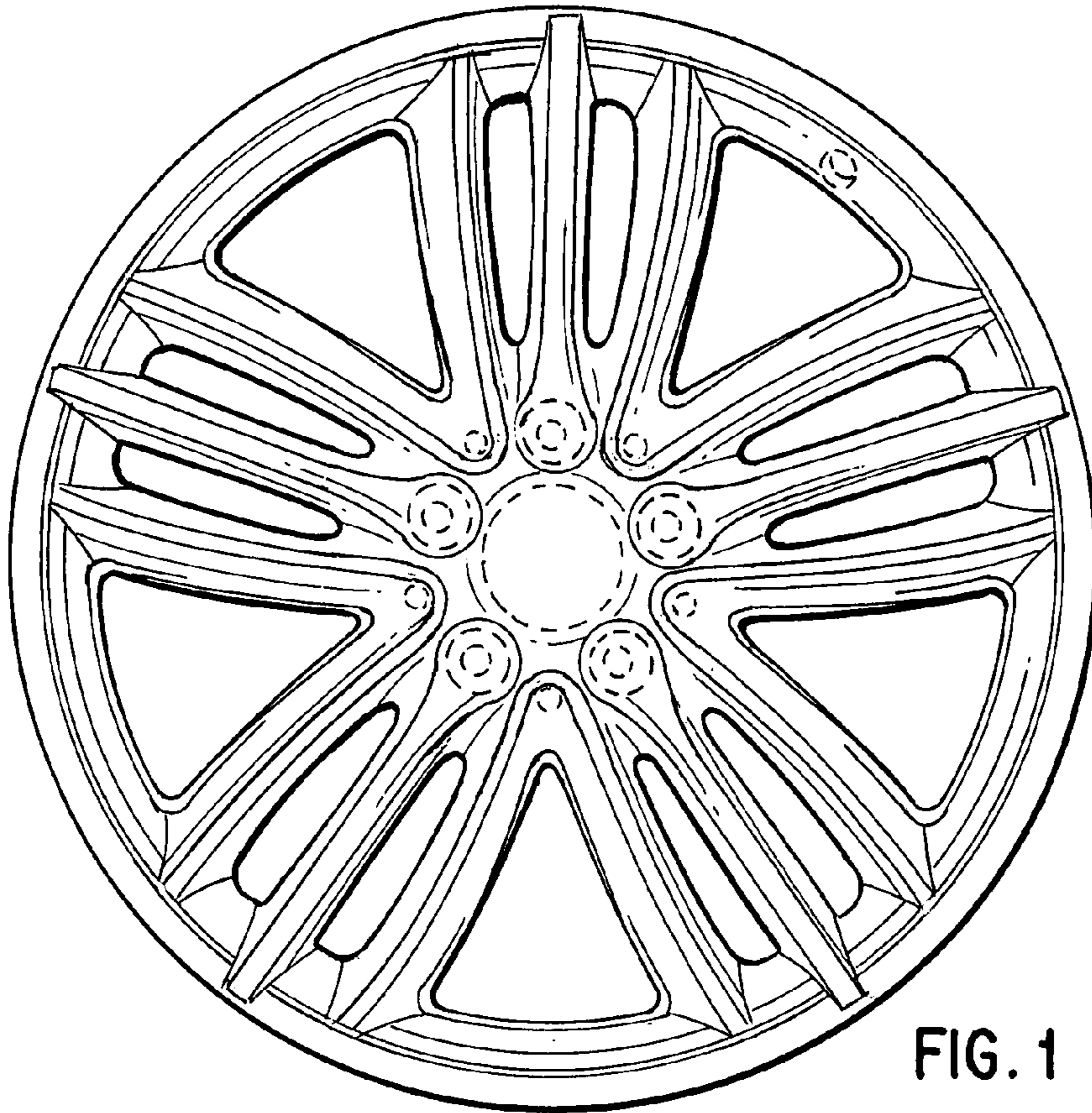


FIG. 1

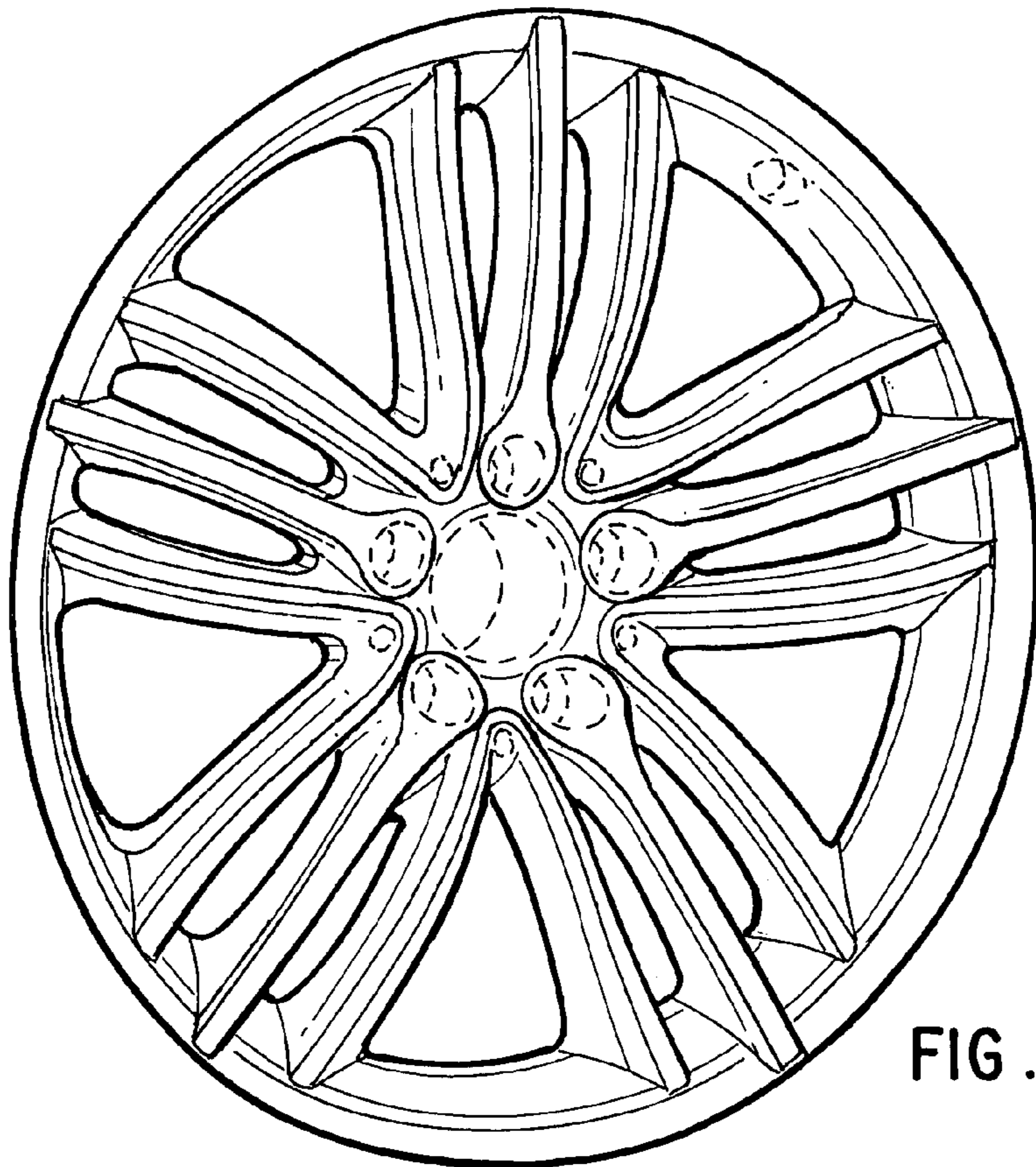


FIG. 2

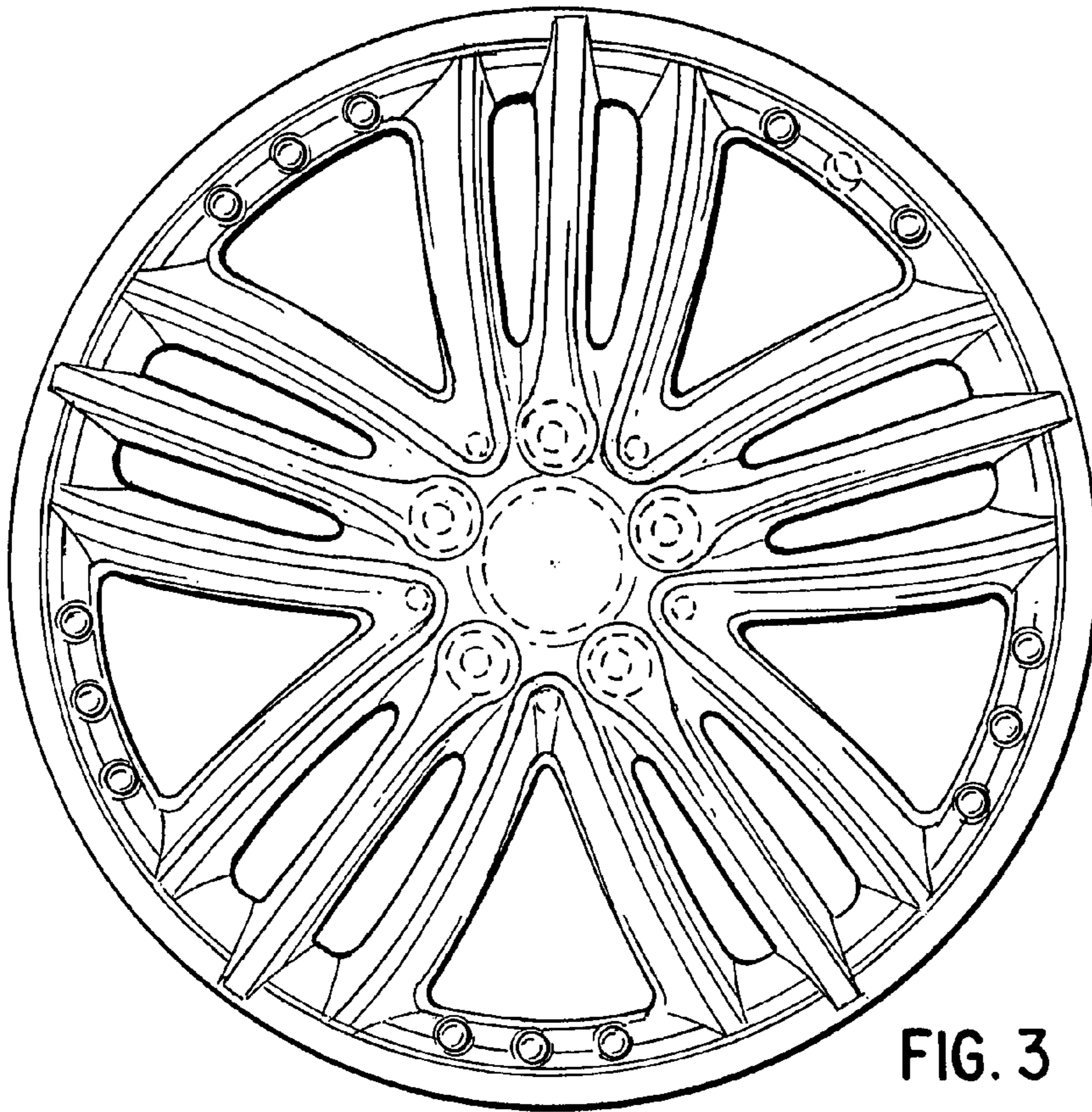


FIG. 3

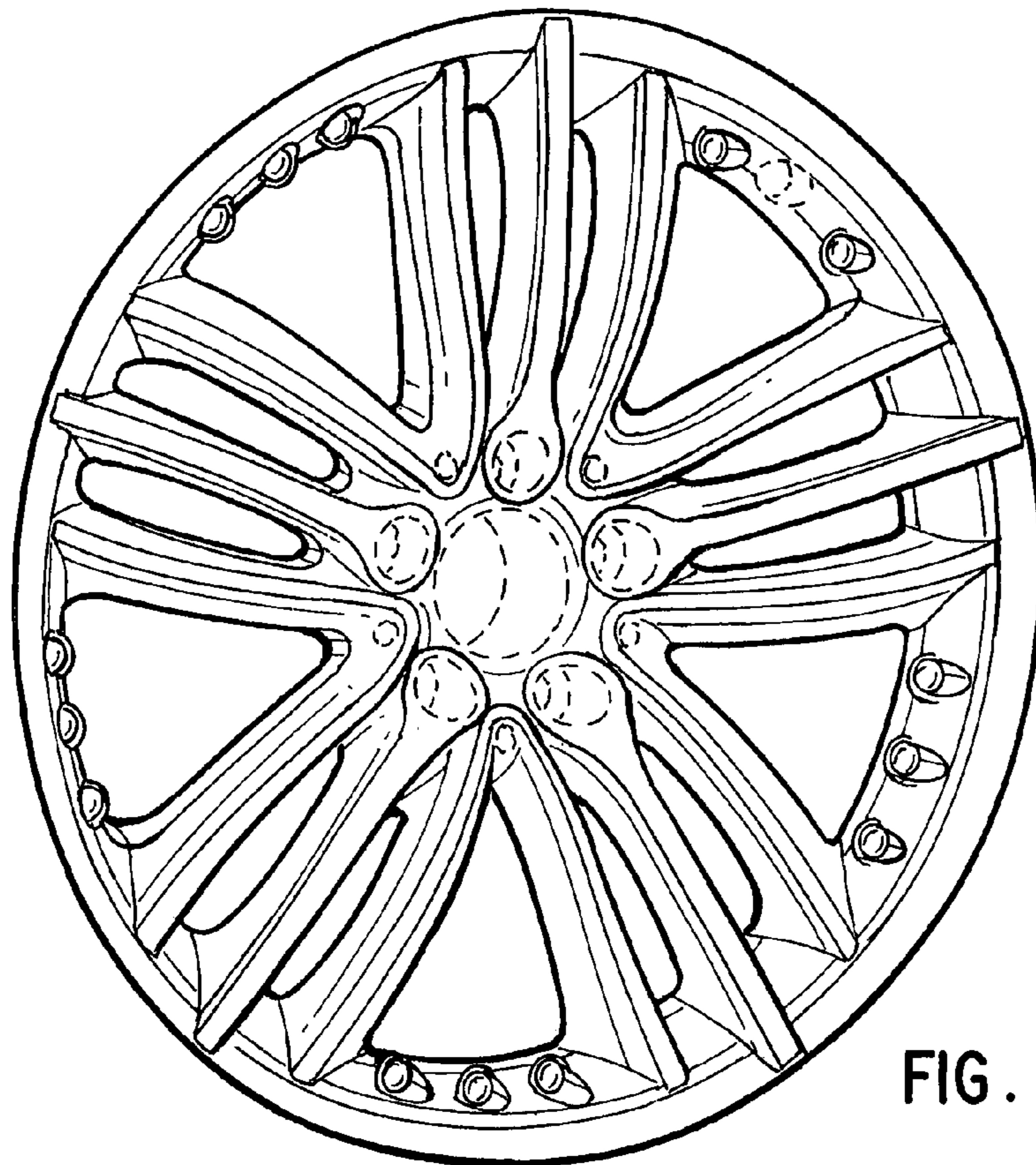


FIG. 4