

US00D566641S

(12) **United States Design Patent**
Fuligni et al.

(10) **Patent No.: US D566,641 S**
(45) **Date of Patent: ** Apr. 15, 2008**

(54) **AUTOMOTIVE WHEEL**

D533,826 S * 12/2006 Scheu D12/211
D540,238 S * 4/2007 Sycha D12/209
D542,207 S * 5/2007 Gauffres D12/211

(75) Inventors: **Matt Fuligni**, Northville, MI (US);
Patrick Schiavone, Birmingham, MI
(US); **Chelsia Lau**, Ann Arbor, MI
(US)

OTHER PUBLICATIONS

<http://www.fordvehicles.com/suvs/explorersporttrac/>, Ford
Vehicles: 2005 Ford Explorer Sport Trac—See pricing details, SUV
options, packages and more, 16 pages.

(73) Assignee: **Ford Global Technologies, LLC**,
Dearborn, MI (US)

* cited by examiner

(**) Term: **14 Years**

Primary Examiner—Stacia Cadmus

(21) Appl. No.: **29/225,434**

(74) *Attorney, Agent, or Firm*—Frank A. MacKenzie;
Brooks Kushman P.C.

(22) Filed: **Mar. 15, 2005**

(57) **CLAIM**

(51) **LOC (8) Cl.** **12-16**

The ornamental design for an automotive wheel, as shown
and described.

(52) **U.S. Cl.** **D12/211**

(58) **Field of Classification Search** D12/204–213,
D12/500–501; 301/37.101, 64.101, 65, 64.201
See application file for complete search history.

DESCRIPTION

FIG. 1 is a perspective view of an automotive wheel,
showing our new design;

(56) **References Cited**

U.S. PATENT DOCUMENTS

D403,289 S * 12/1998 Watanabe D12/209
D519,906 S * 5/2006 Long D12/209
D522,952 S * 6/2006 Nakahara D12/211
D524,220 S * 7/2006 Scheu D12/211
D526,610 S * 8/2006 Muzzarelli D12/211
D528,958 S * 9/2006 Kim D12/209
D531,563 S * 11/2006 Martin D12/209

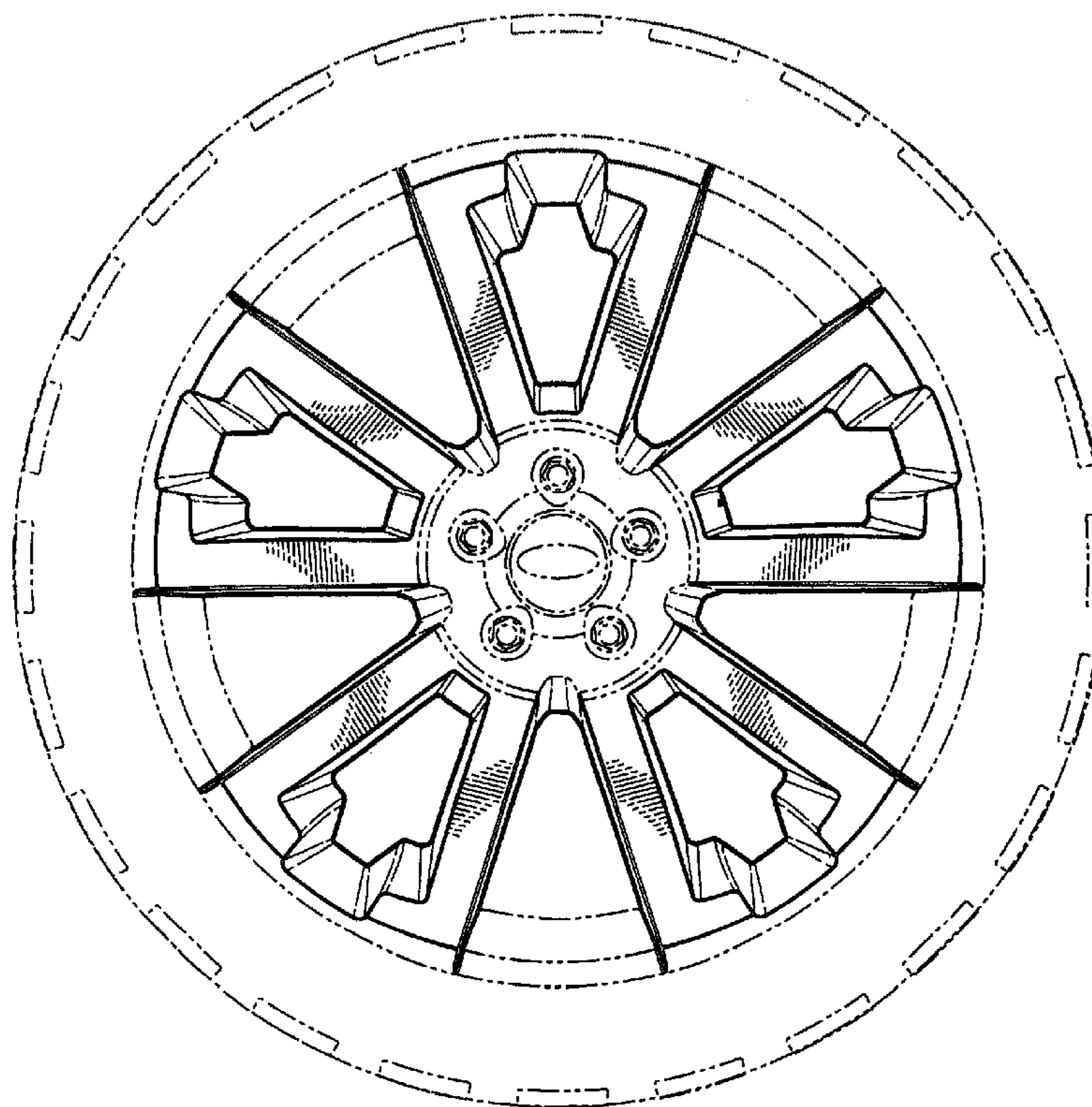
FIG. 2 is an enlarged front view thereof;

FIG. 3 is a perspective view of a second embodiment of an
automotive wheel; and,

FIG. 4 is an enlarged front view thereof.

The broken lines are for illustrative purposes only and form
no part of the claimed design.

1 Claim, 2 Drawing Sheets



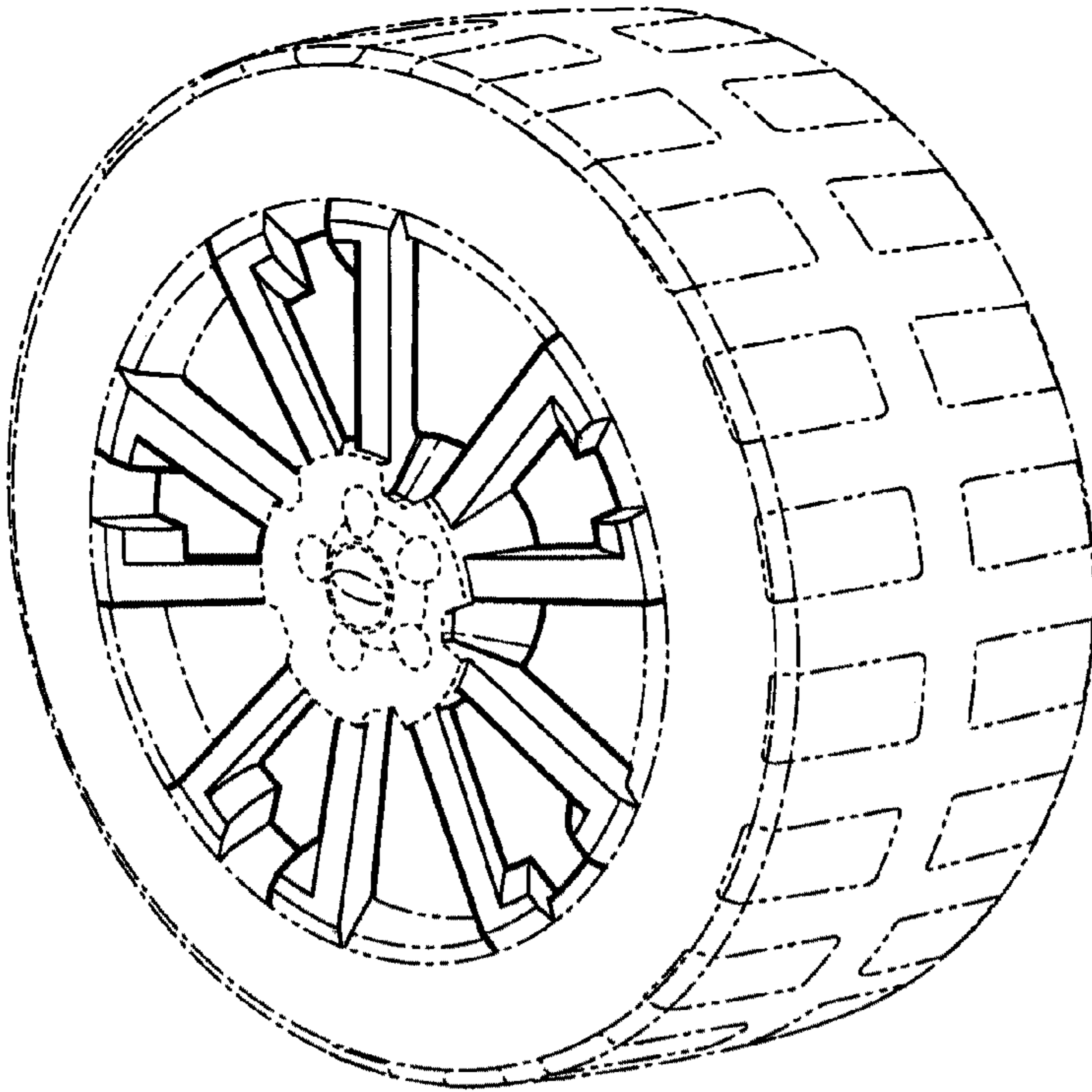


FIG - 1

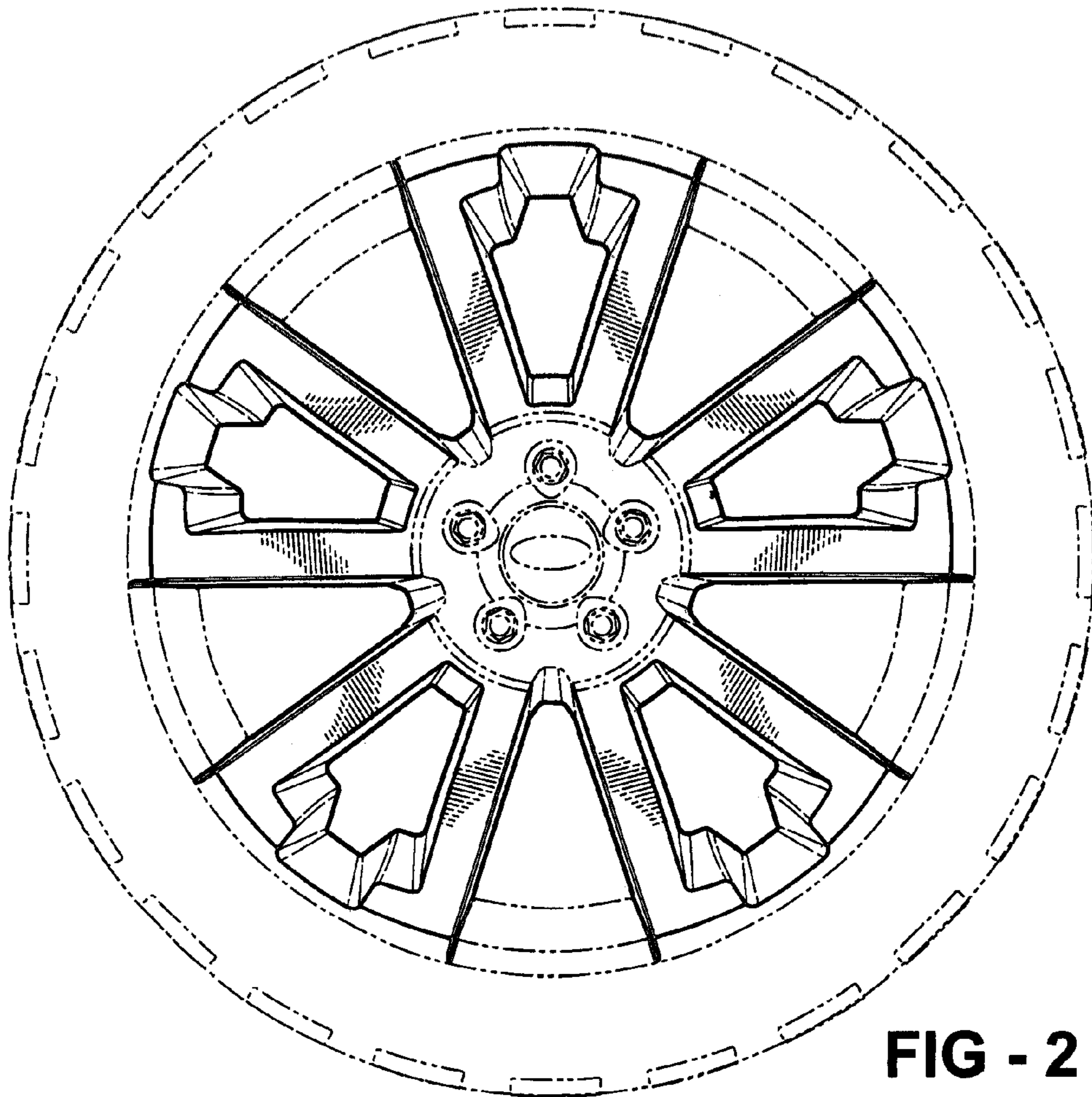


FIG - 2

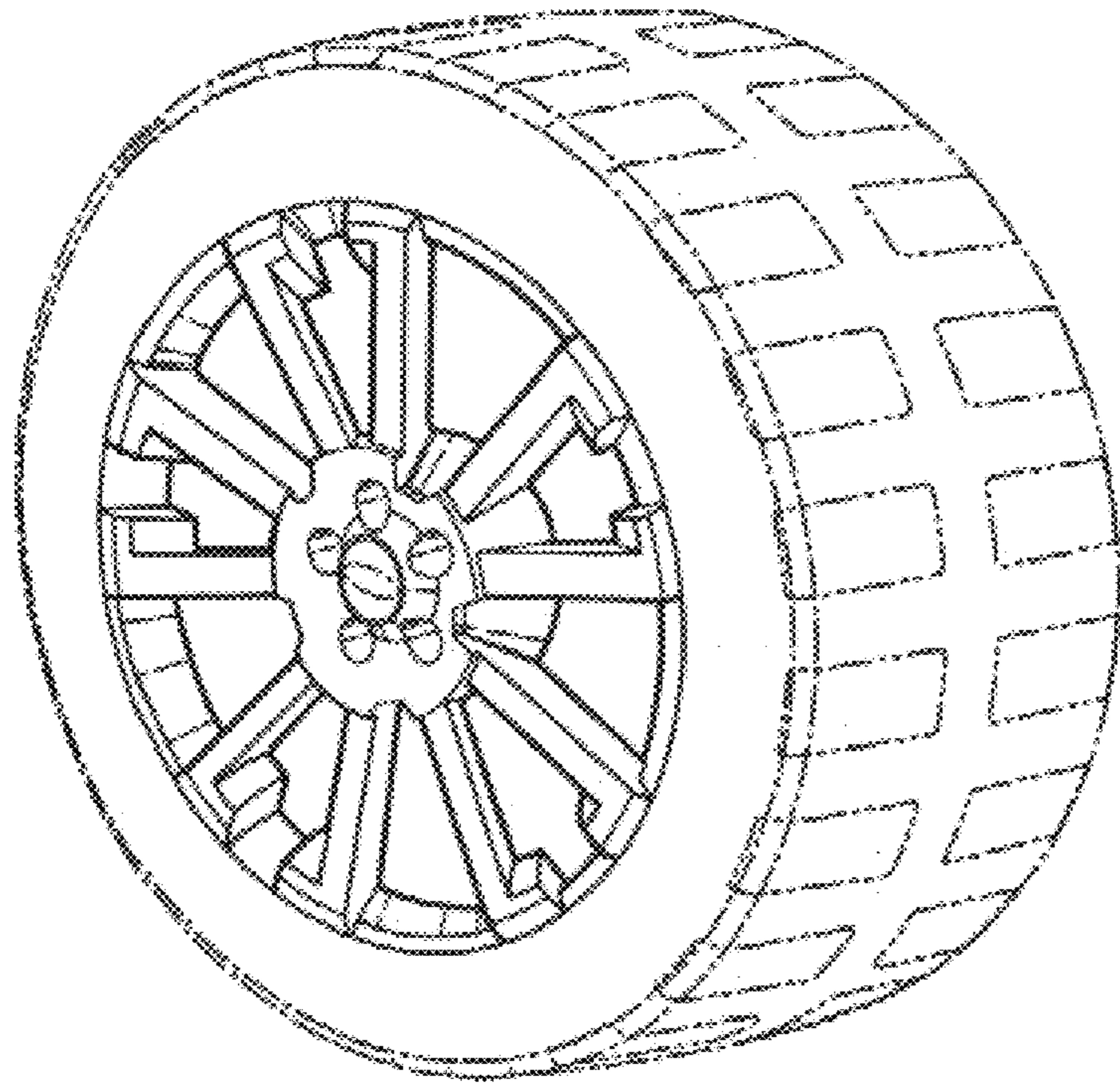


FIG - 3

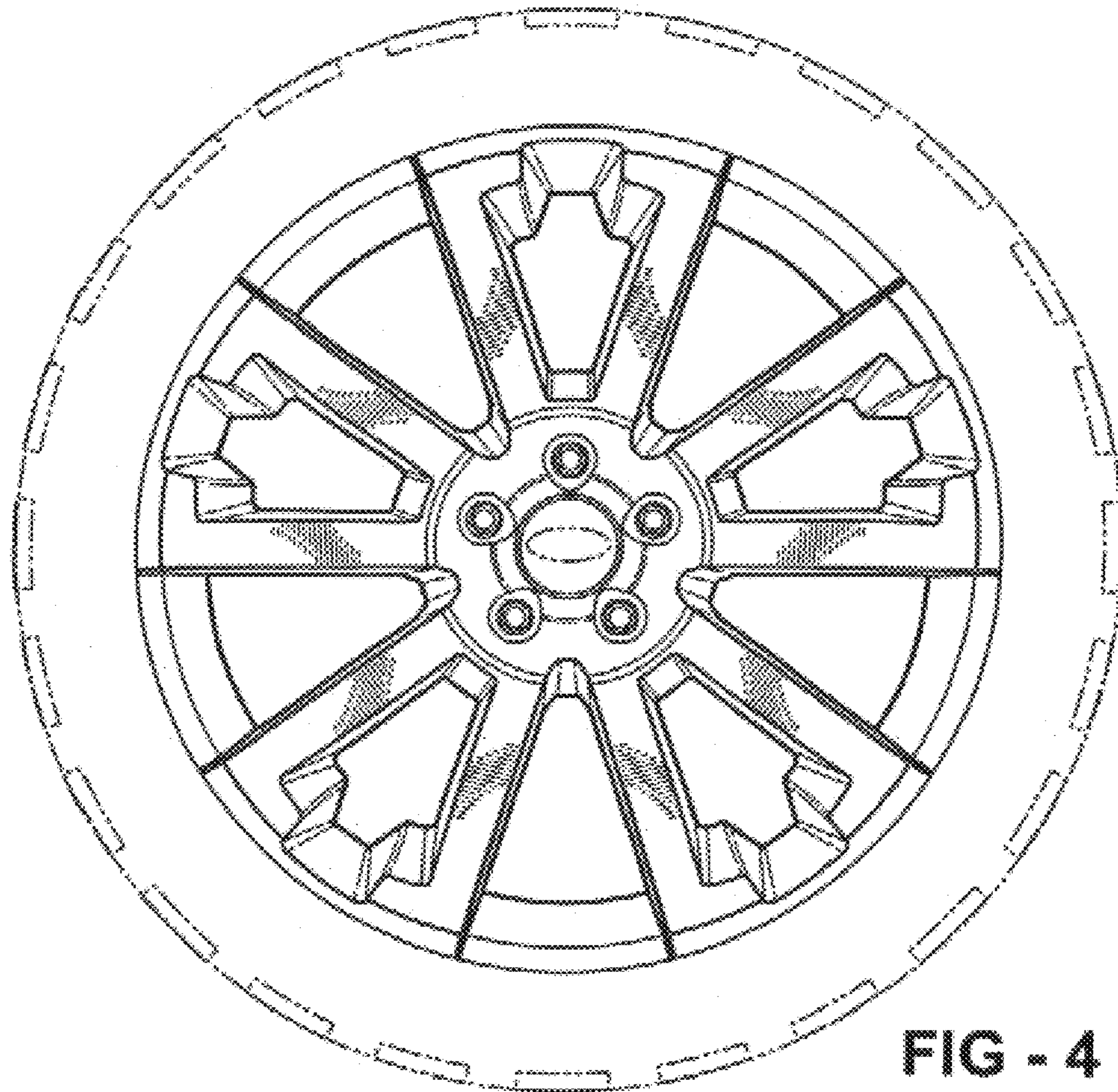


FIG - 4