



US00D566639S

(12) **United States Design Patent**
Elliott et al.

(10) **Patent No.:** **US D566,639 S**
(45) **Date of Patent:** **** Apr. 15, 2008**

(54) **BATTERY BOX FAIRING**

(75) Inventors: **Aaron M. Elliott**, Denton, TX (US);
Louis D. Heilaneh, Lewisville, TX
(US)

(73) Assignee: **PACCAR Inc**, Bellevue, WA (US)

(**) Term: **14 Years**

(21) Appl. No.: **29/241,768**

(22) Filed: **Nov. 1, 2005**

(51) **LOC (8) Cl.** **12-16**

(52) **U.S. Cl.** **D12/196**

(58) **Field of Classification Search** D12/96,
D12/97, 196, 203, 181; 296/183, 197, 193,
296/196, 180.2

See application file for complete search history.

(56) **References Cited**

U.S. PATENT DOCUMENTS

D312,609 S *	12/1990	Preslik et al.	D12/203
D312,810 S *	12/1990	Preslik et al.	D12/203
D381,949 S *	8/1997	Barrett et al.	D12/203
D395,269 S *	6/1998	McCauley, Jr.	D12/203
D399,178 S *	10/1998	Thomas, Jr.	D12/203
D420,622 S *	2/2000	Hellhake et al.	D12/97
D433,365 S *	11/2000	Beigel	D12/196
D433,967 S *	11/2000	Delashaw et al.	D12/96
D433,981 S	11/2000	Davis et al.	
D434,348 S *	11/2000	Delashaw et al.	D12/96
D435,237 S *	12/2000	Damon et al.	D12/196
D531,948 S *	11/2006	Angelo et al.	D12/196

D540,727 S *	4/2007	Elliott et al.	D12/196
D549,144 S *	8/2007	Elliott et al.	D12/196

* cited by examiner

Primary Examiner—Robin V. Webster

Assistant Examiner—Rosemary K Tarcza

(74) *Attorney, Agent, or Firm*—Christensen O'Connor
Johnson Kindness PLLC

(57) **CLAIM**

The ornamental design for a battery box fairing, as shown and described.

DESCRIPTION

FIG. 1 is an isometric view of a truck fairing showing a battery box fairing of our new design;

FIG. 2 is an oblique view of a battery box fairing showing our new design;

FIG. 3 is a side view;

FIG. 4 is a top view; and

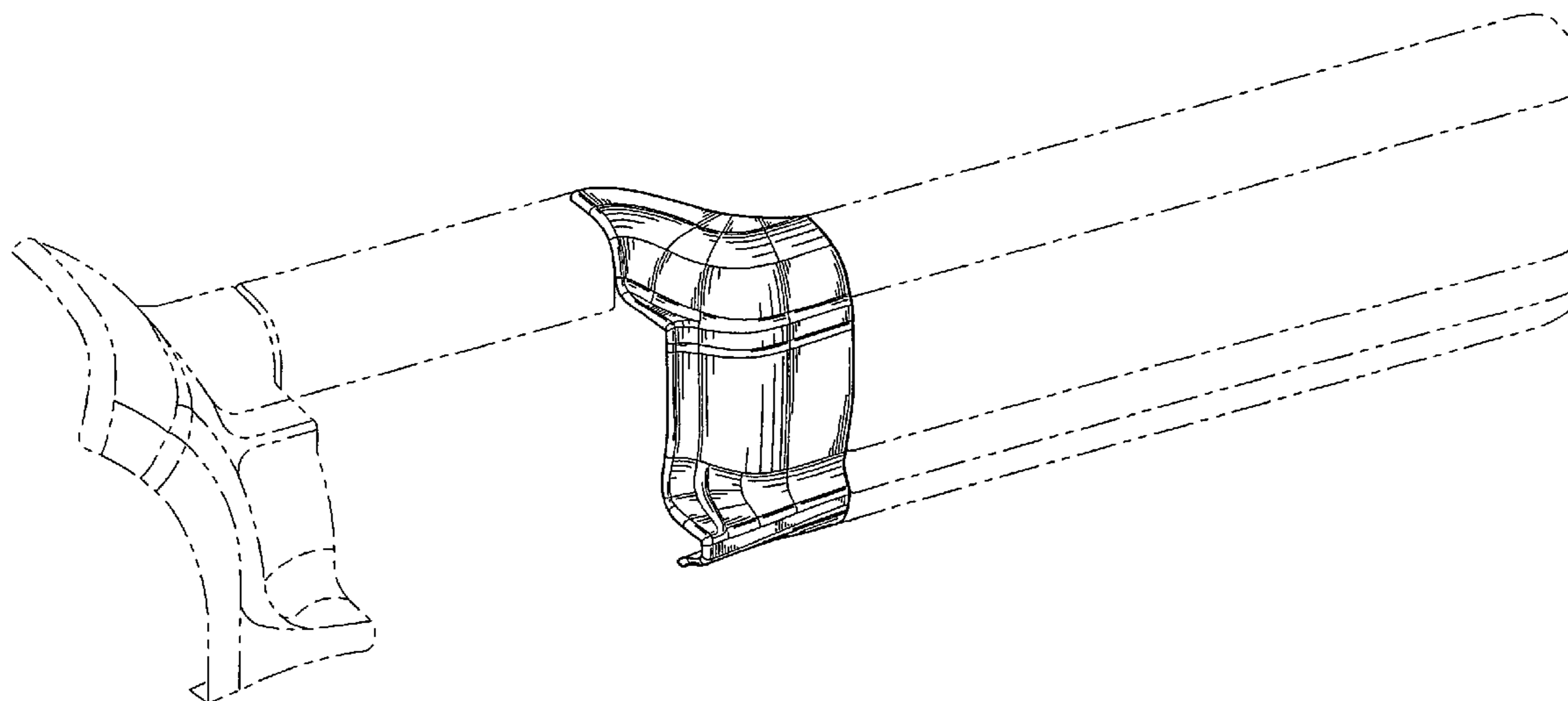
FIG. 5 is a rear view; and,

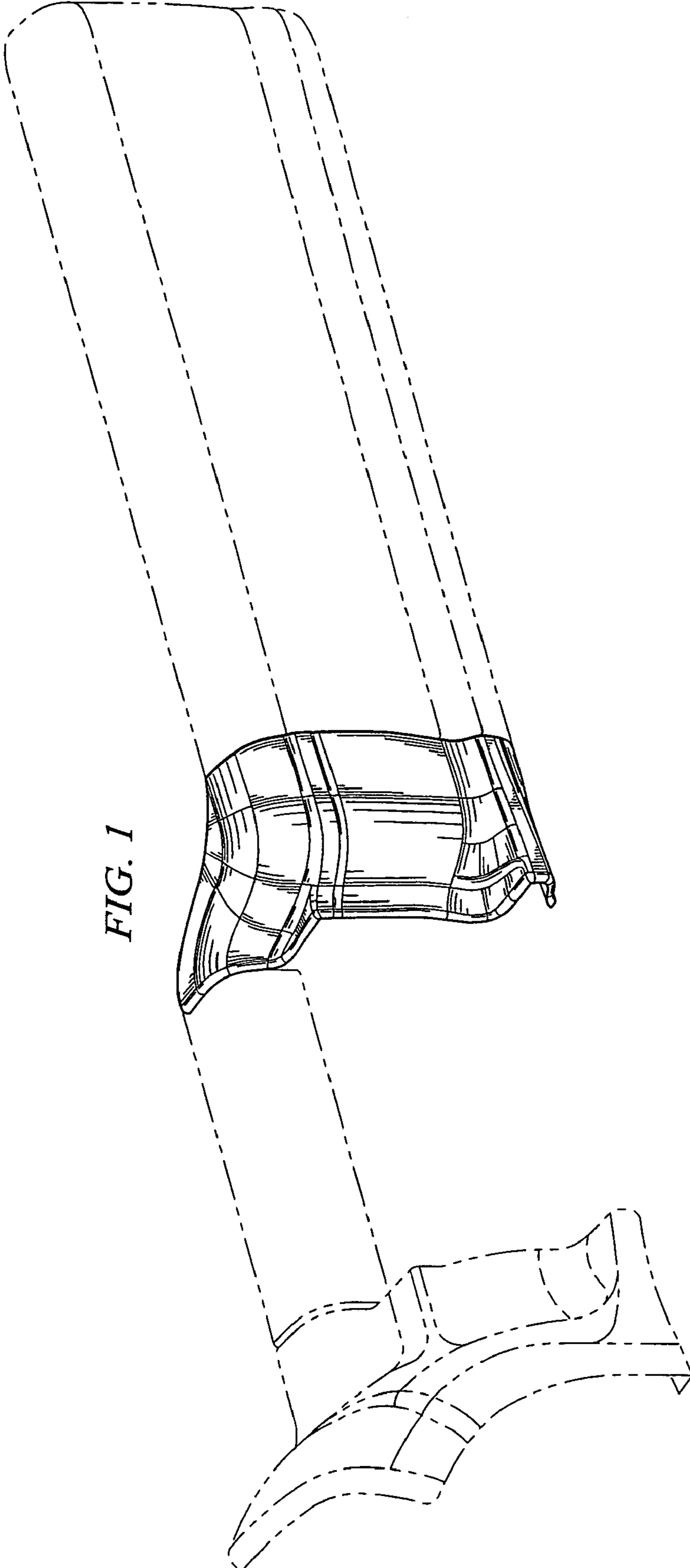
FIG. 6 is a bottom view.

The broken line showing of the truck of FIG. 1 depicts environment and is not part of the claimed design.

FIGS. 1–6 illustrate a first embodiment of our novel design suitable for use on the left side of a vehicle. Our novel design also includes a second embodiment suitable for use on the right side of a vehicle, which is mirror symmetrical to FIGS. 1–6 and therefore not separately illustrated.

1 Claim, 3 Drawing Sheets





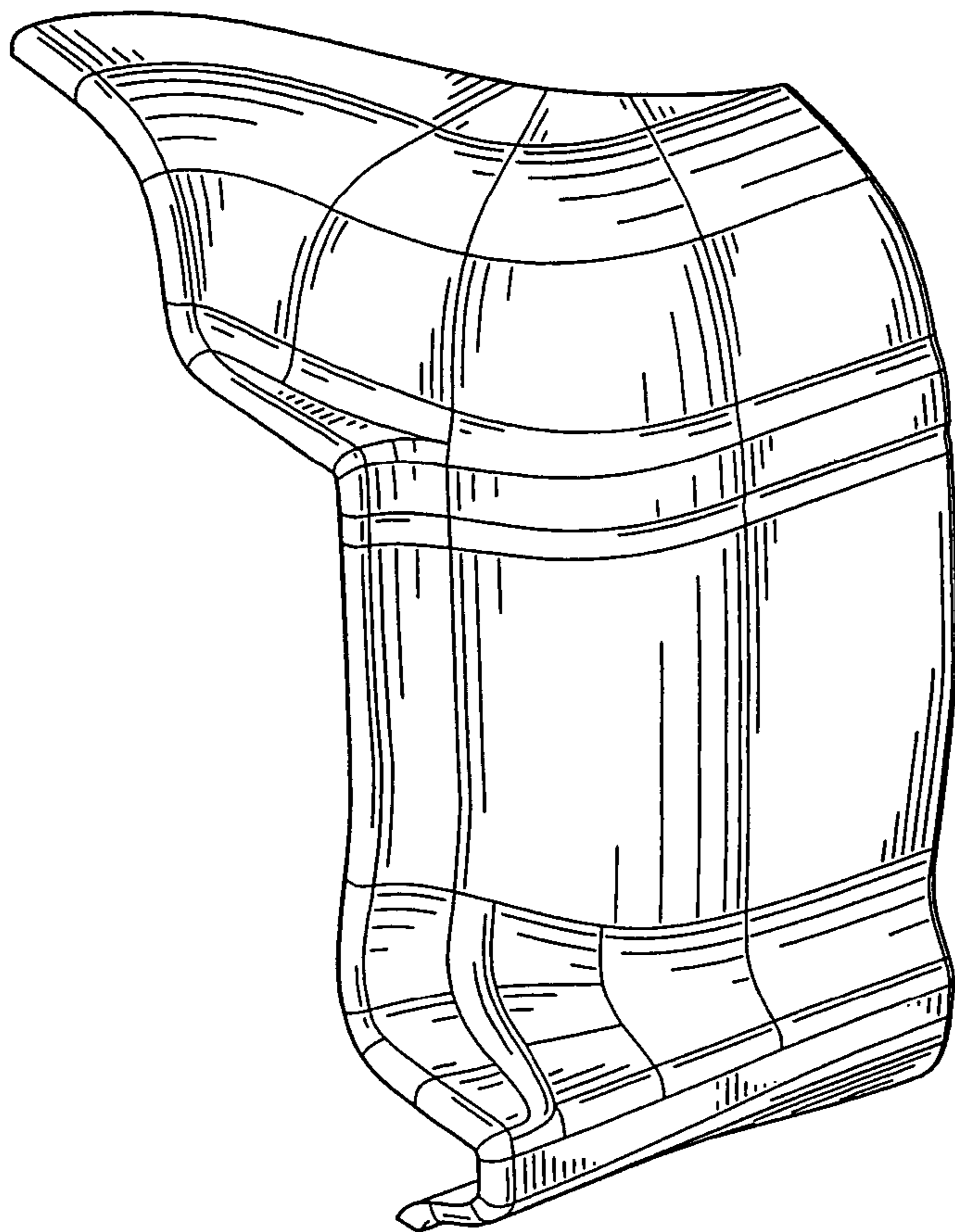


FIG. 2

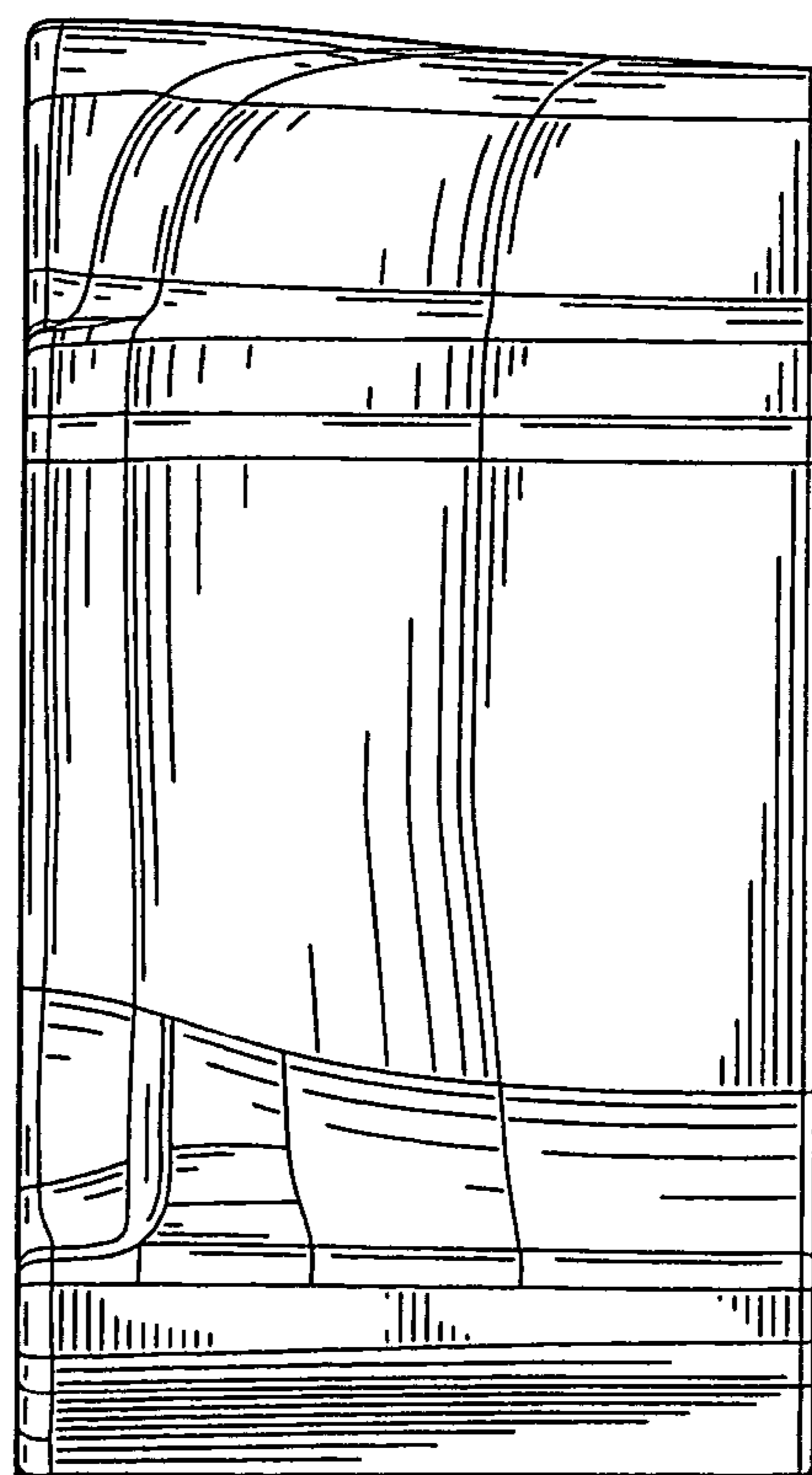


FIG. 3

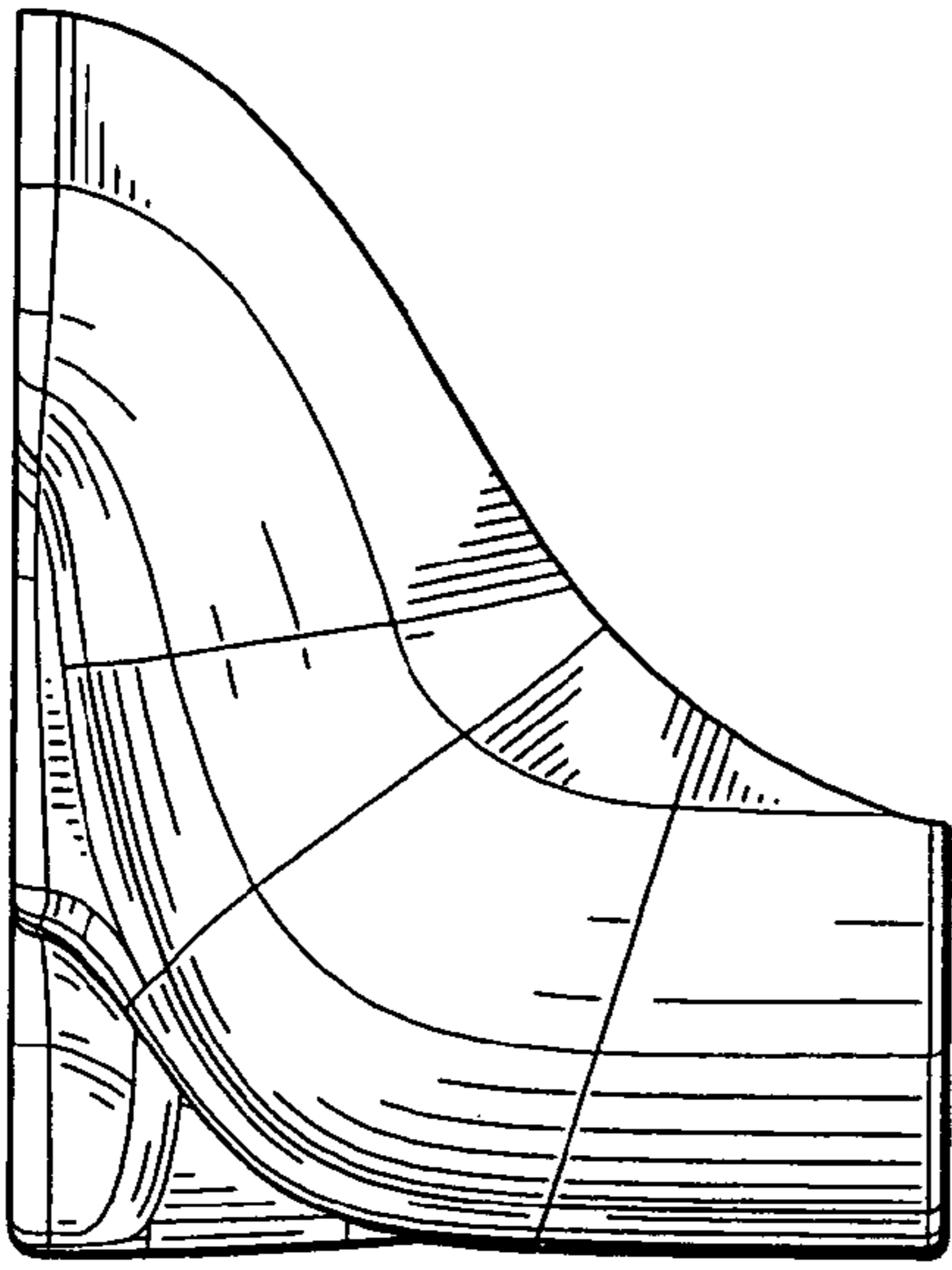


FIG. 4

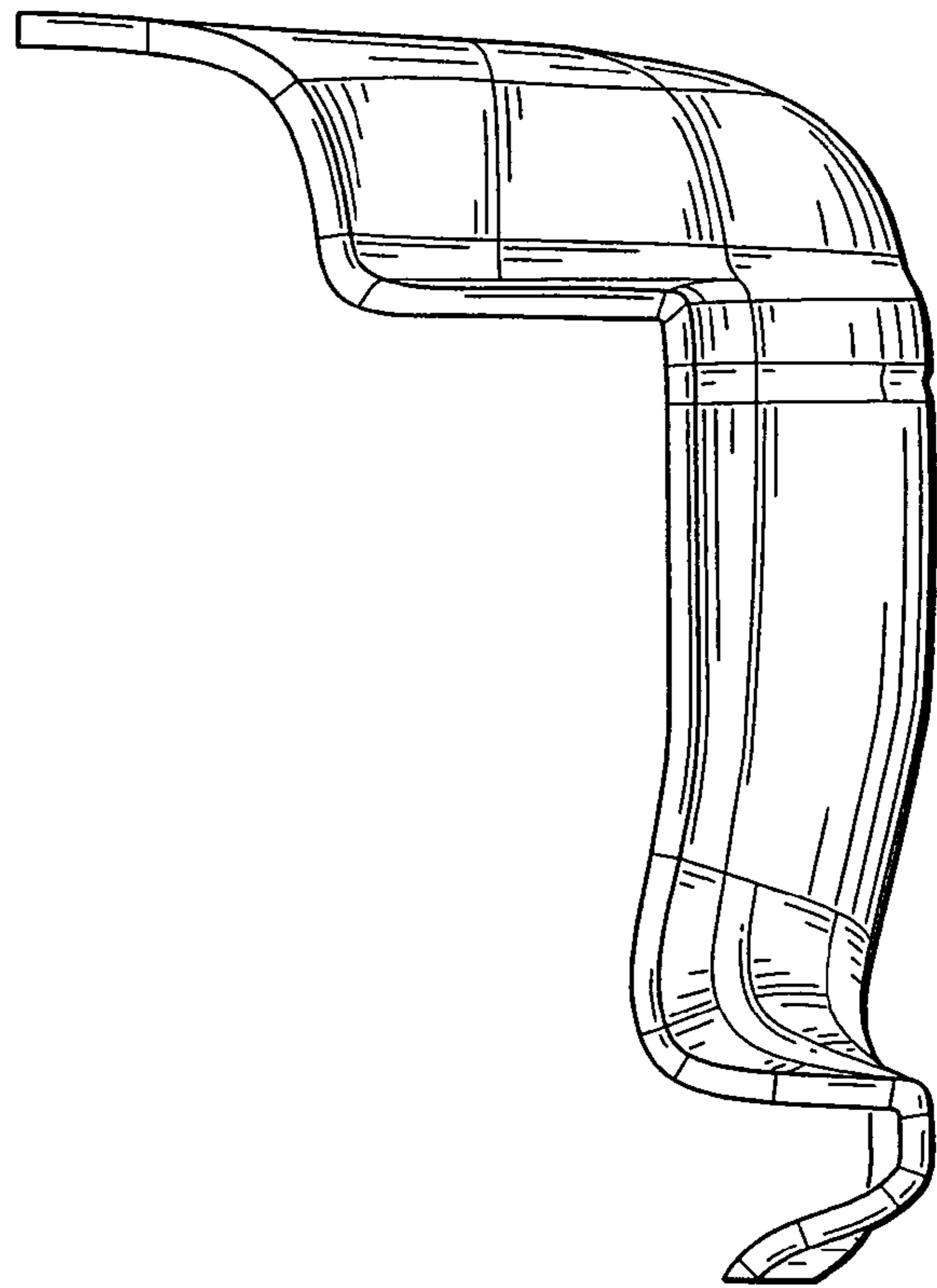


FIG. 5

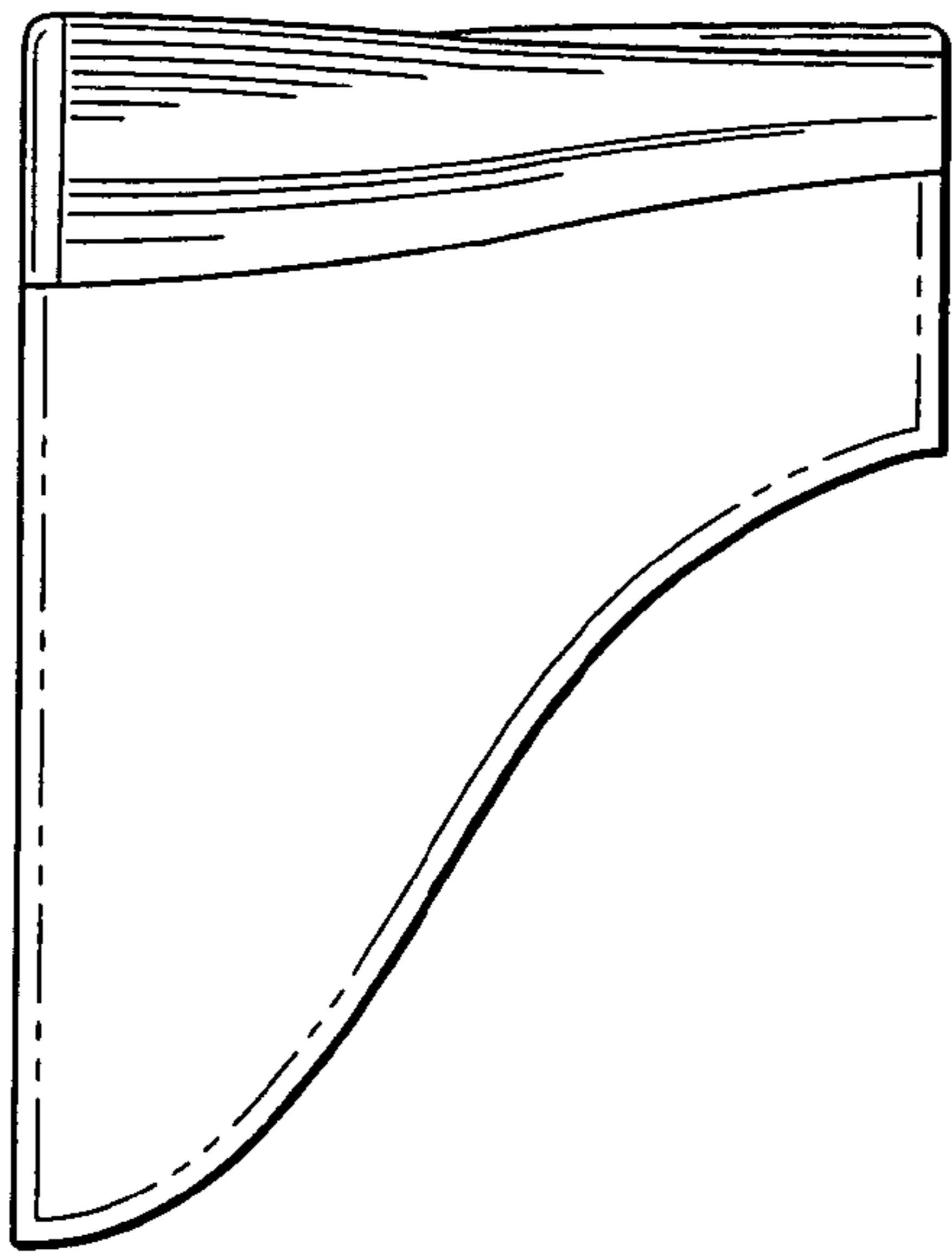


FIG. 6