



US00D566636S

(12) **United States Design Patent**
Ma

(10) **Patent No.:** **US D566,636 S**
(45) **Date of Patent:** **** Apr. 15, 2008**

(54) **CLIP-ON SUN VISOR**

(76) Inventor: **Frank M. S. Ma**, 1545 Hampton Rd.,
Charleston, WV (US) 25314

(**) Term: **14 Years**

(21) Appl. No.: **29/248,185**

(22) Filed: **Aug. 2, 2006**

(51) **LOC (8) Cl.** **12-16**

(52) **U.S. Cl.** **D12/191**

(58) **Field of Classification Search** D12/191,
D12/400, 417; 296/97.1, 97.4-97.13; 160/DIG. 3,
160/370.21-370.23; 224/312; D2/894,
D2/865; D16/340

See application file for complete search history.

(56) **References Cited**

U.S. PATENT DOCUMENTS

1,434,750	A *	11/1922	Pratt	296/97.9
D149,104	S *	3/1948	Baratelli et al.	D12/191
D217,343	S *	4/1970	Seida	D12/191
D310,653	S *	9/1990	Aizawa et al.	D12/191
D310,810	S *	9/1990	Lewis	D12/191
D312,608	S *	12/1990	Wong et al.	D12/191
D344,530	S *	2/1994	Johnson	D16/340
D354,038	S *	1/1995	Redhawk	D12/191
D364,033	S *	11/1995	Romano	D2/894

D395,029	S *	6/1998	Hare	D12/191
D426,183	S *	6/2000	Brooks et al.	D12/191
6,386,408	B1 *	5/2002	Beatty	224/312

* cited by examiner

Primary Examiner—Stacia Cadmus

(57) **CLAIM**

The ornamental design for a clip-on sun visor, as shown and described.

DESCRIPTION

FIG. 1 is an isometric view from the above and rear of the clip-on sun visor.

FIG. 2 is an isometric view from the above and front of the clip-on sun visor.

FIG. 3 is a front elevational view of the clip-on sun visor.

FIG. 4 is a rear elevational view of the clip-on sun visor.

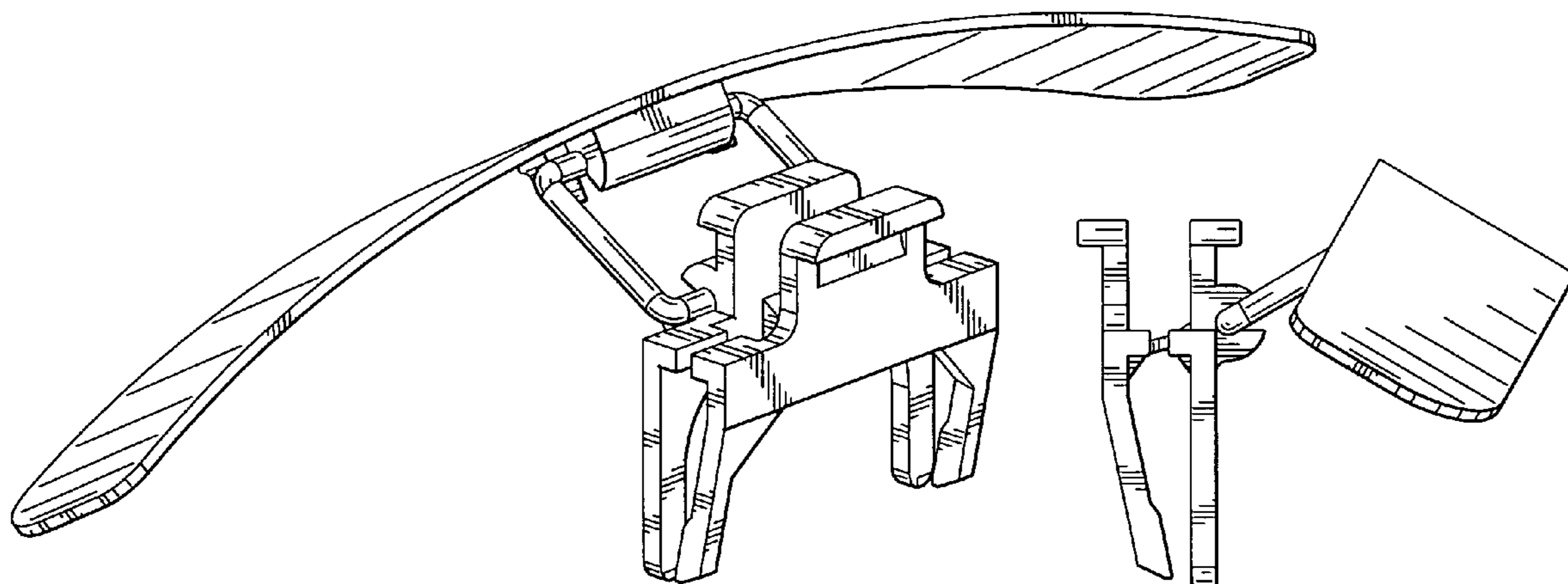
FIG. 5 is left side elevational view of the clip-on sun visor.

FIG. 6 is a right side elevational view of the clip-on sun visor.

FIG. 7 is a plan view from above of the clip-on sun visor; and,

FIG. 8 is a plan view from below of the clip-on sun visor.

1 Claim, 5 Drawing Sheets



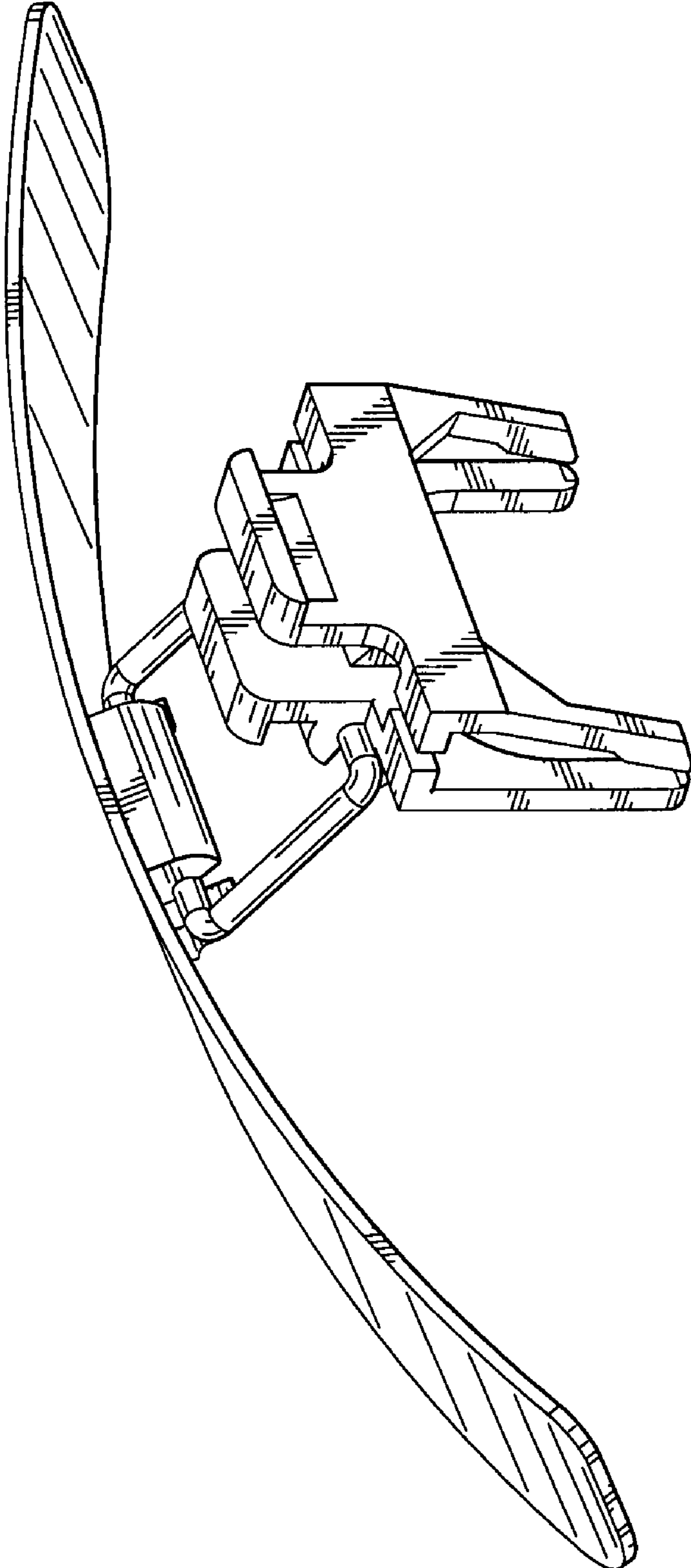


FIG. 1

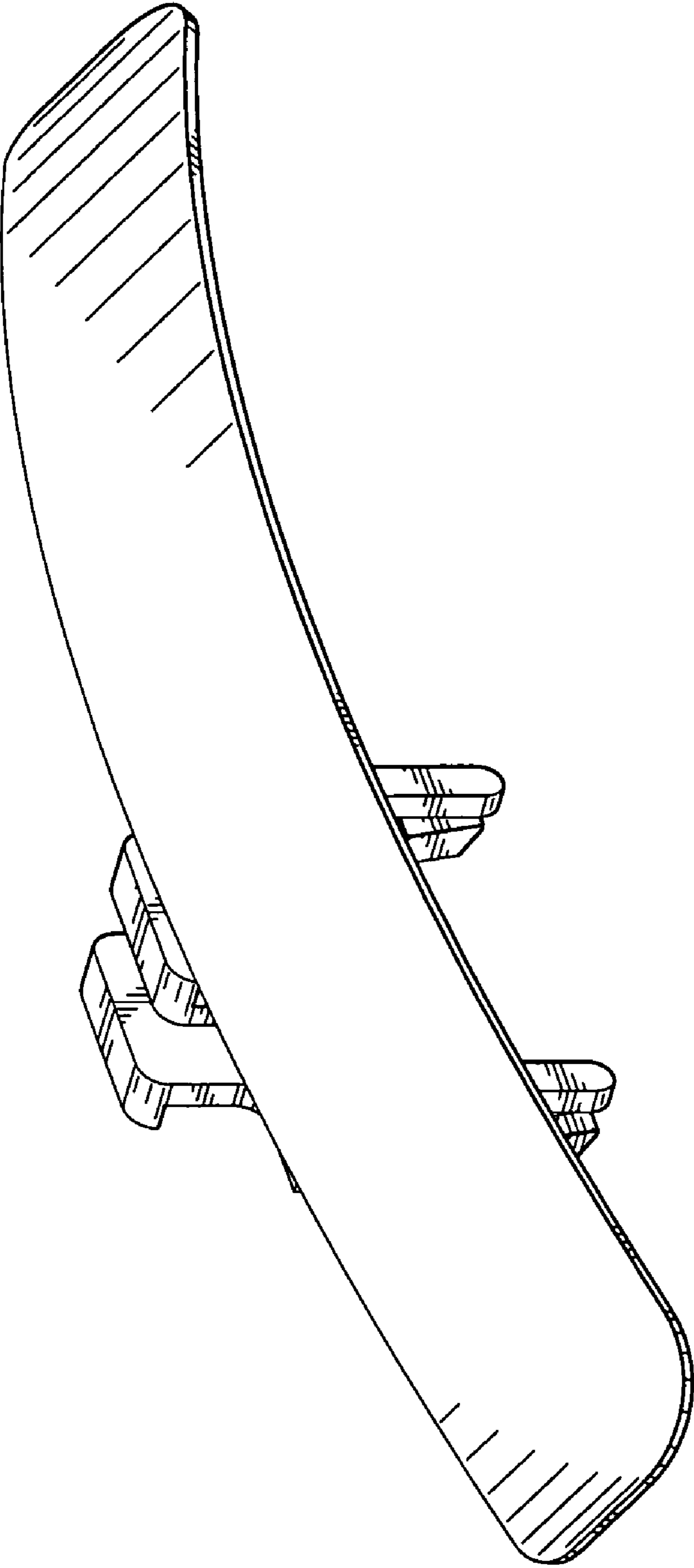


FIG. 2

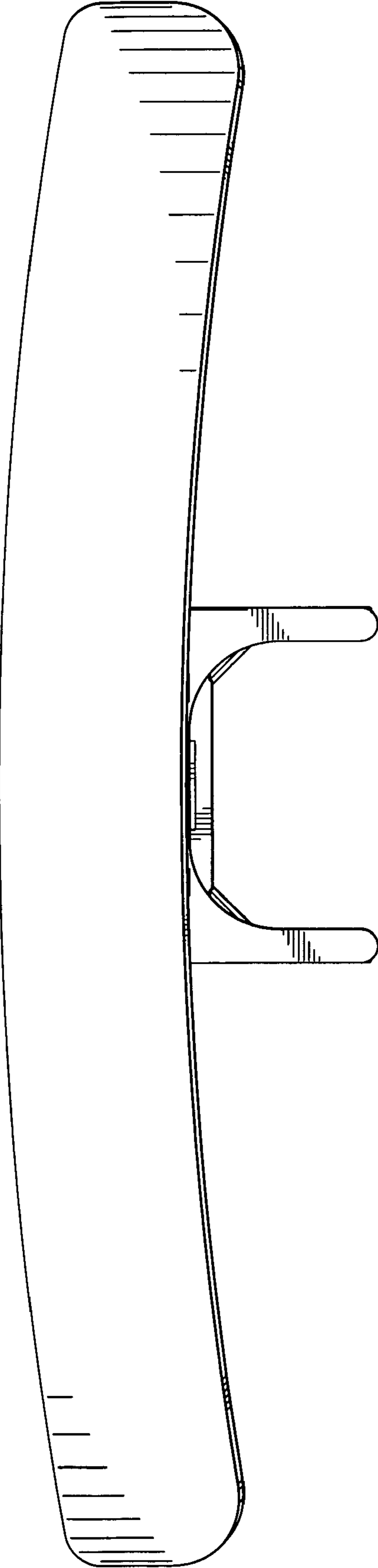


FIG. 3

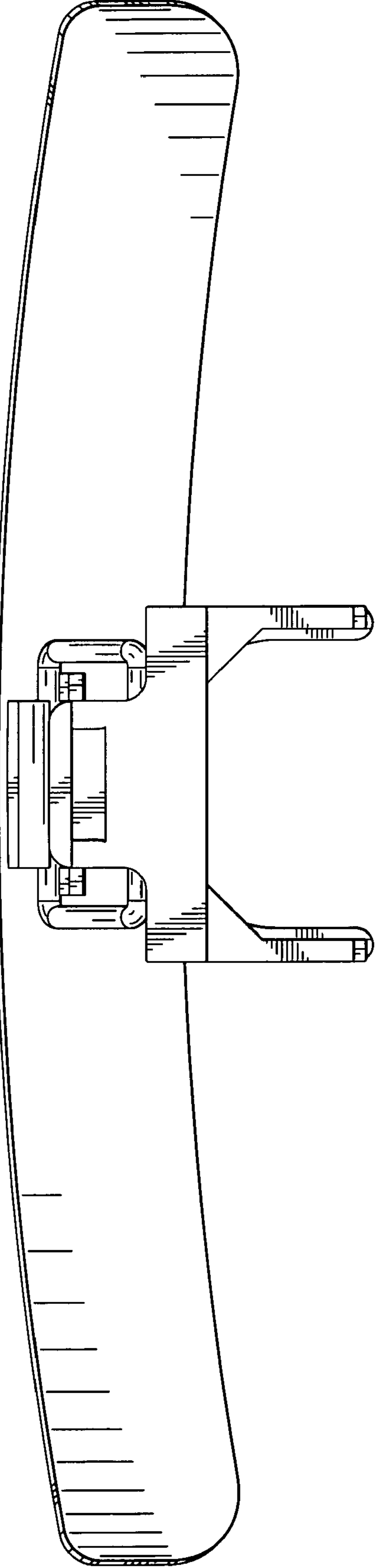


FIG. 4

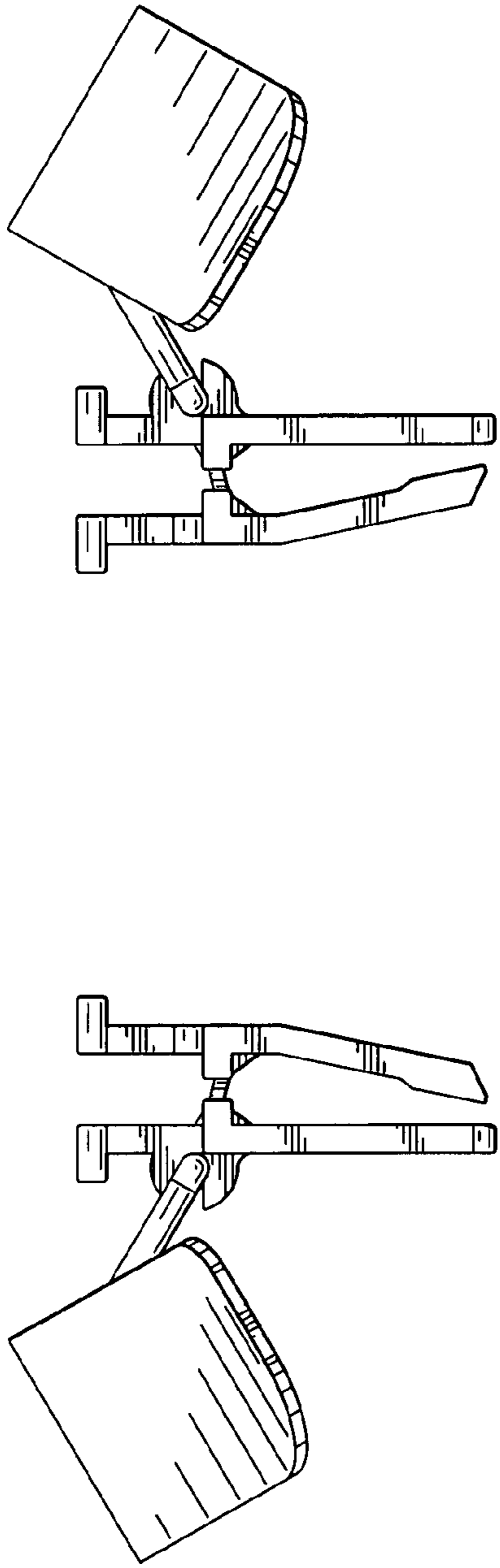


FIG. 6

FIG. 5

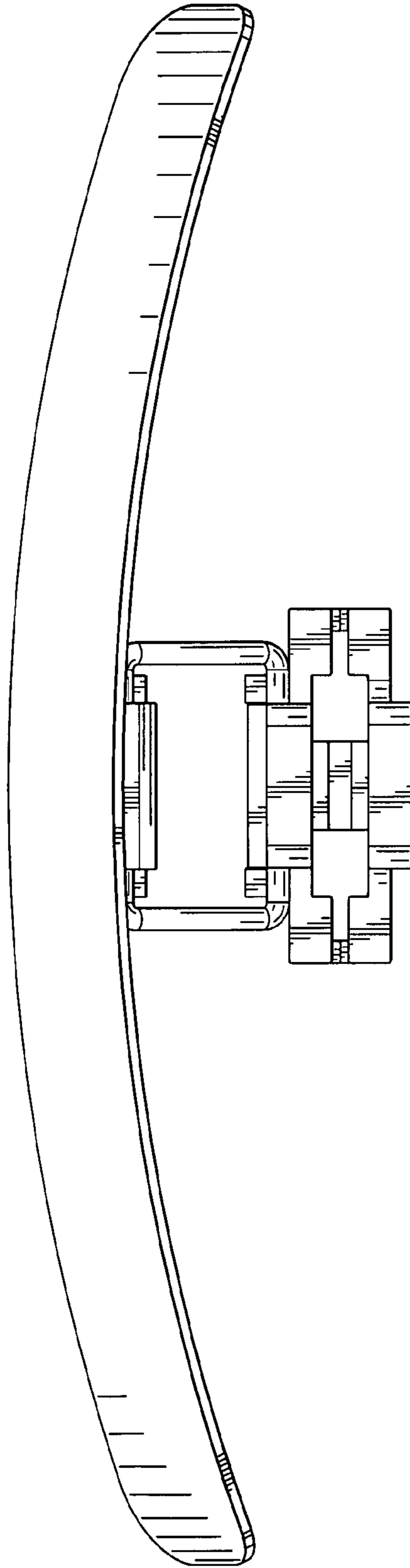


FIG. 7

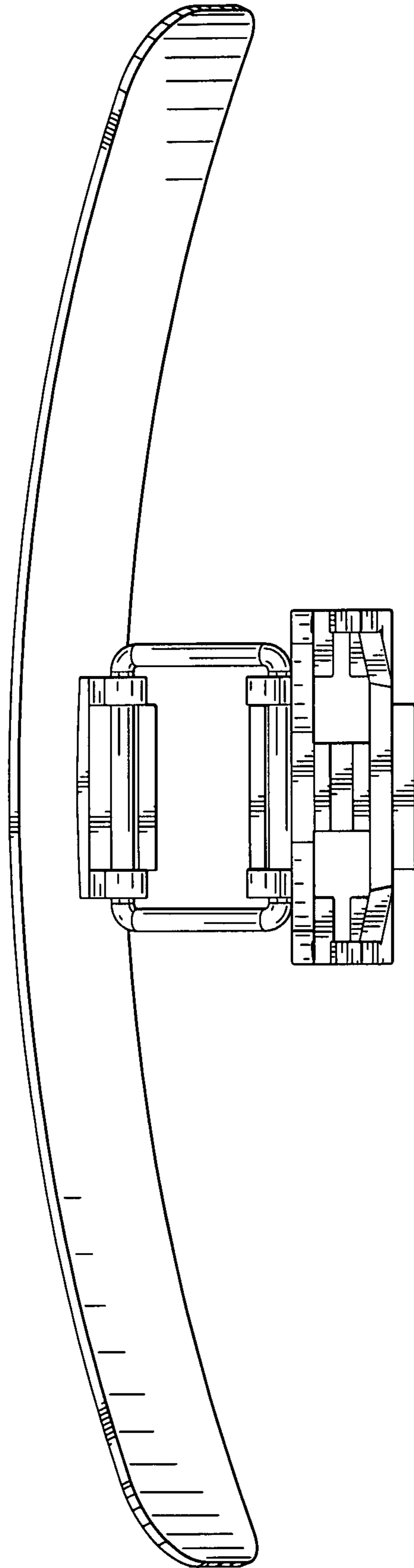


FIG. 8