



US00D566633S

(12) **United States Design Patent** (10) **Patent No.:** **US D566,633 S**
Kanno et al. (45) **Date of Patent:** **** Apr. 15, 2008**

(54) **FRONT BUMPER FOR AN AUTOMOBILE**

(75) Inventors: **Takahiro Kanno**, Toyota (JP); **Takuya Ishibashi**, Toyota (JP); **Kengo Matsumoto**, Toyota (JP)

(73) Assignee: **Toyota Jidosha Kabushiki Kaisha**, Toyota (JP)

(**) Term: **14 Years**

(21) Appl. No.: **29/274,308**

(22) Filed: **Apr. 13, 2007**

(30) **Foreign Application Priority Data**

Dec. 29, 2006 (JP) 2006-036303

(51) **LOC (8) Cl.** **12-16**

(52) **U.S. Cl.** **D12/169**

(58) **Field of Classification Search** D12/90-92,
D12/86, 169, 196, 163; 296/193.1, 181.1;
293/102, 113, 115, 117, 120

See application file for complete search history.

(56) **References Cited**

U.S. PATENT DOCUMENTS

D521,905 S	5/2006	Suzuki	
D521,912 S *	5/2006	Beigel et al.	D12/169
D522,417 S *	6/2006	Akamine et al.	D12/169
D525,180 S *	7/2006	Konaka	D12/169
D537,389 S *	2/2007	Beigel et al.	D12/169

OTHER PUBLICATIONS

2005 New York Press Kit, Lexus LF-A (2005); Toyota; Publication Date Unknown.

LEXUS LF-A Photograph, North American International Auto Show, Jan. 2005; Toyota Jidosha Kabushiki Kaisha.

Rosso No. 94; Ferrari F430; Ferrari, May 2005.

* cited by examiner

Primary Examiner—Melody N. Brown

(74) *Attorney, Agent, or Firm*—Finnegan, Henderson, Farabow, Garrett & Dunner, L.L.P.

(57) **CLAIM**

The ornamental design for a front bumper for an automobile, as shown and described.

DESCRIPTION

FIG. 1 is a right-front, perspective view of a front bumper for an automobile of our new design;

FIG. 2 is a front view thereof;

FIG. 3 is a top view thereof;

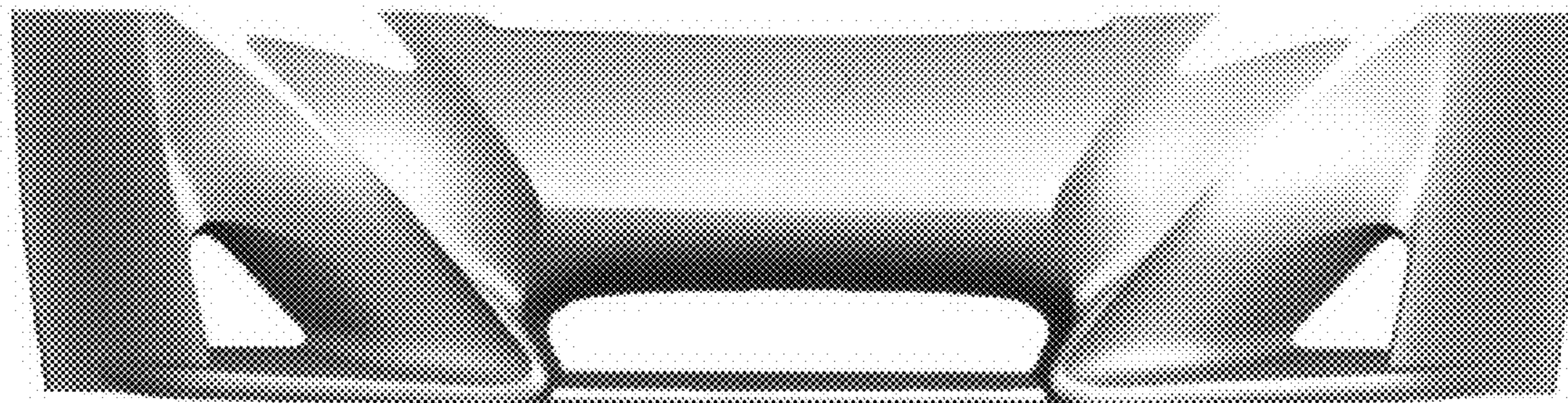
FIG. 4 is a bottom view thereof;

FIG. 5 is a left-side view thereof; and,

FIG. 6 is a right-side view thereof.

The rear of the bumper is not seen during ordinary use and forms no part of the claimed design.

1 Claim, 4 Drawing Sheets



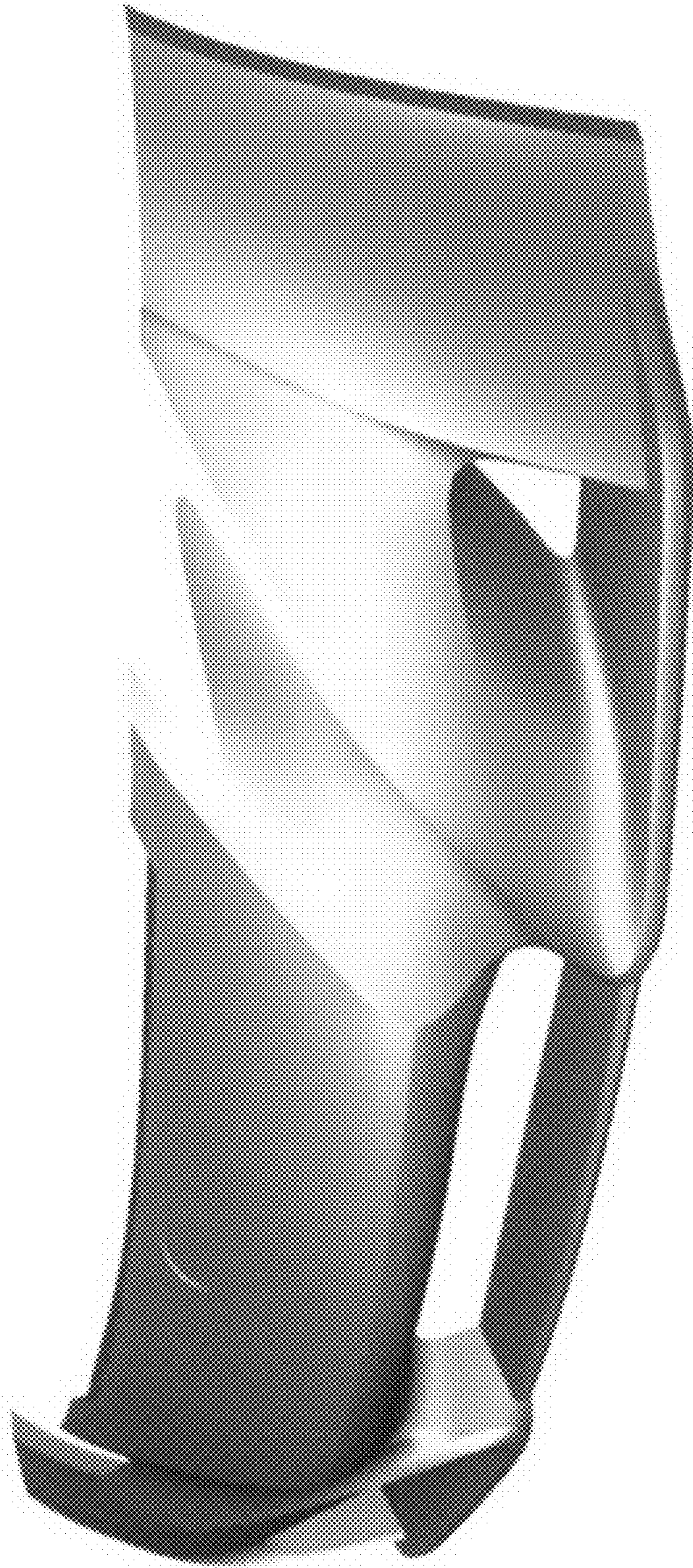


FIG. 1

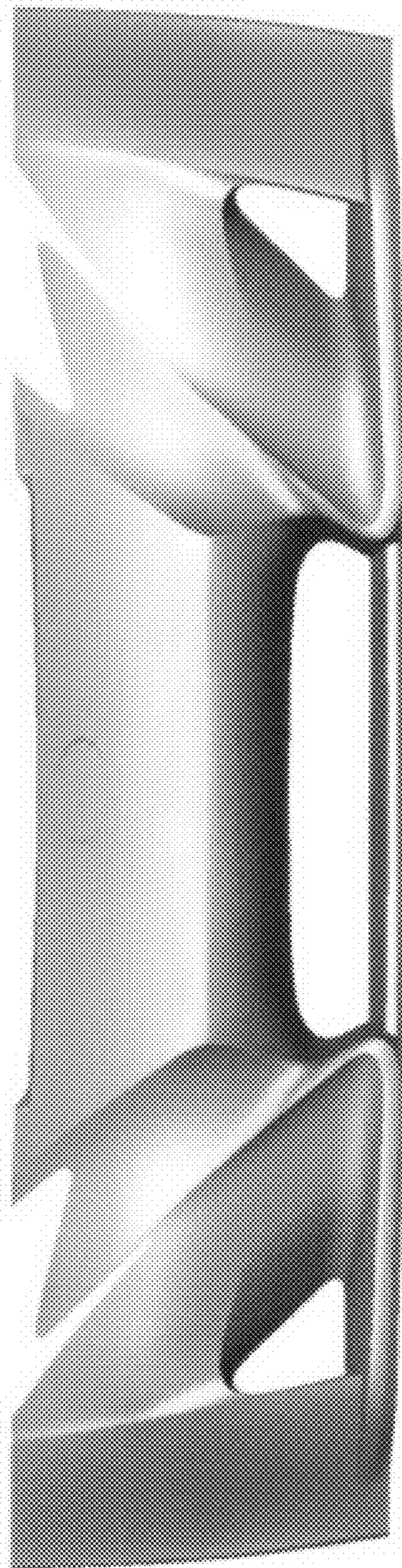


FIG. 2

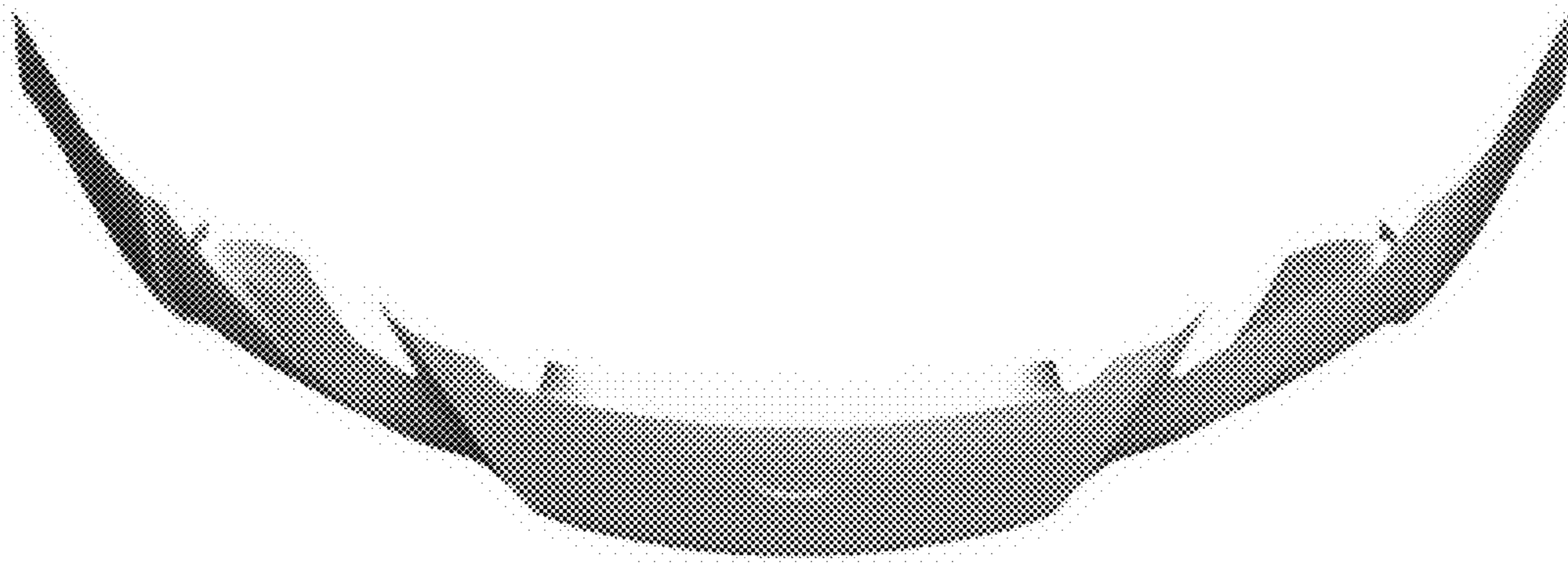


FIG. 3

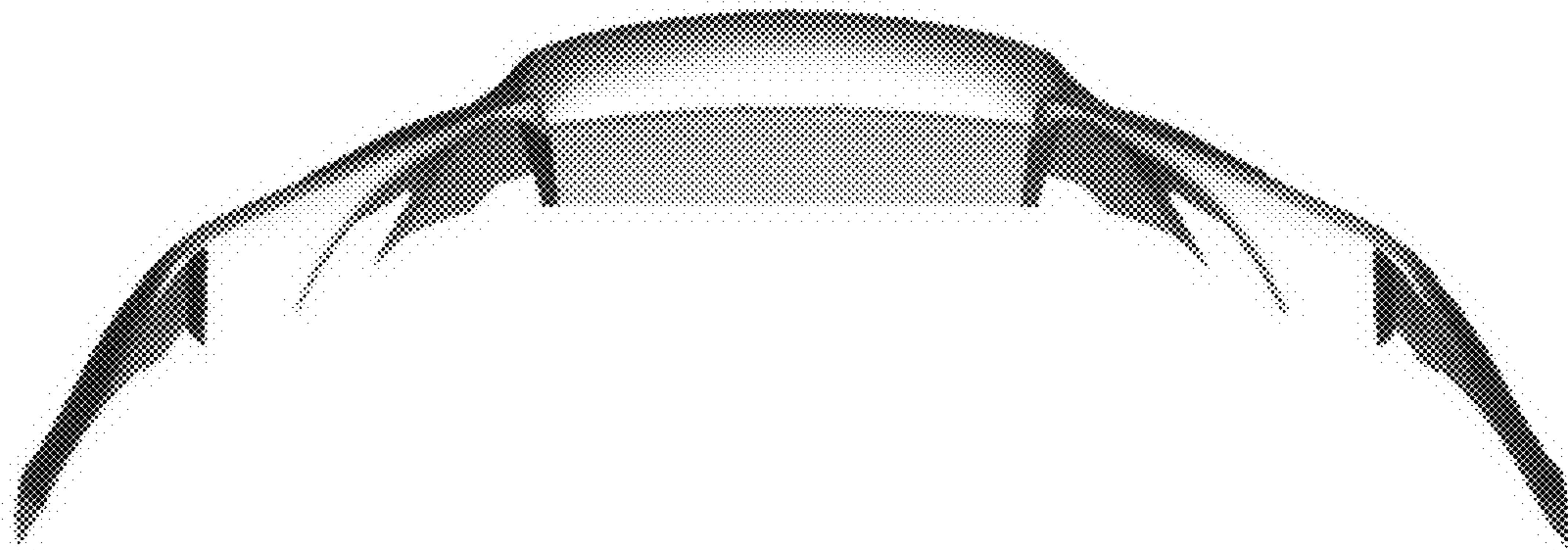


FIG. 4

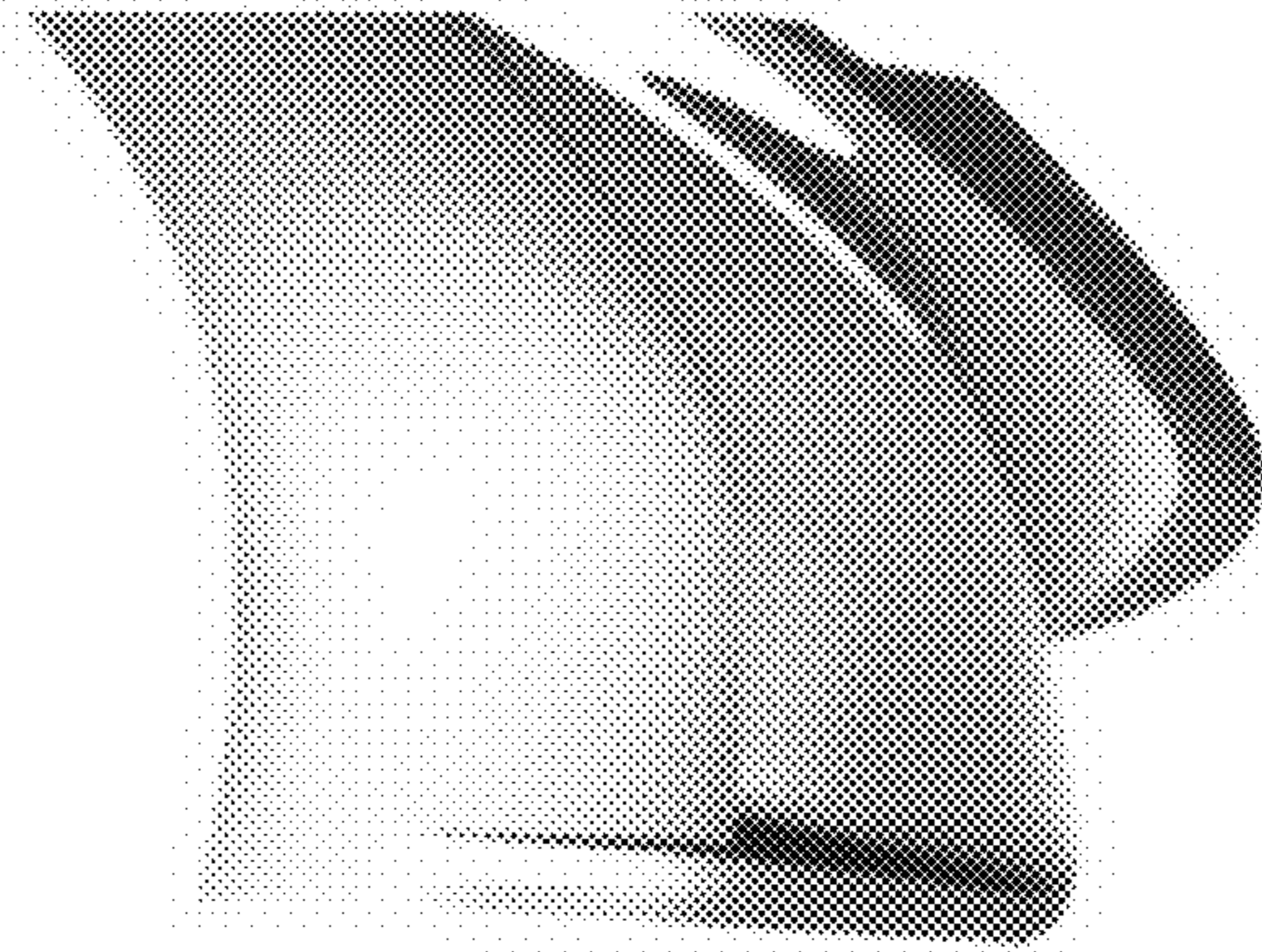


FIG. 5

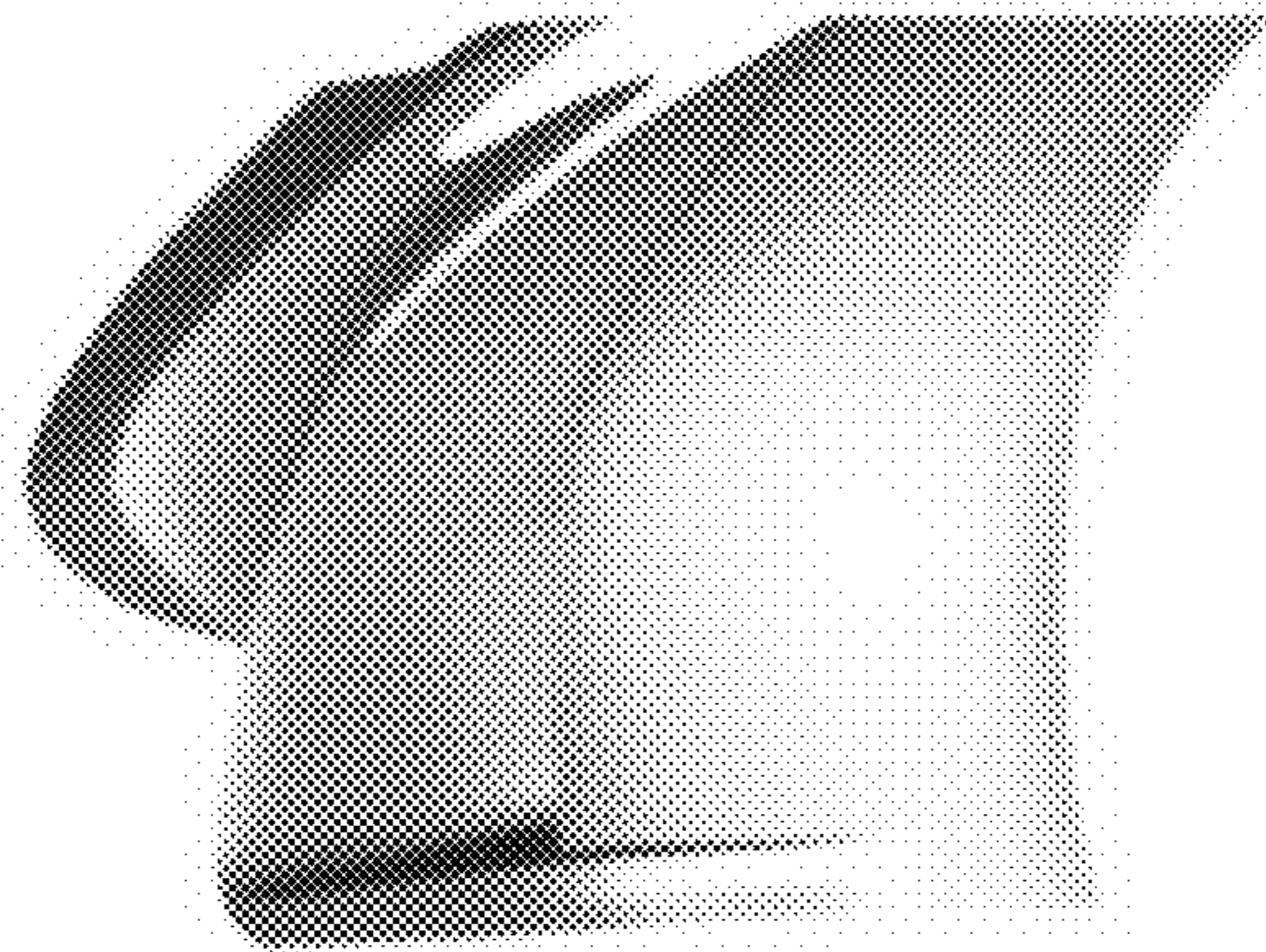


FIG. 6