

US00D566631S

(12) **United States Design Patent**
Shahan

(10) **Patent No.:** **US D566,631 S**

(45) **Date of Patent:** **** Apr. 15, 2008**

(54) **TAILGATE GRILL**

(76) **Inventor:** **Carl Shahan**, 126 Woodward Dr.,
Montmorenci, SC (US) 29839

(**) **Term:** **14 Years**

(21) **Appl. No.:** **29/289,144**

(22) **Filed:** **Jul. 9, 2007**

(51) **LOC (8) Cl.** **12-16**

(52) **U.S. Cl.** **D12/162**

(58) **Field of Classification Search** D12/106,
D12/115, 116, 161, 162, 199; 280/402, 403,
280/404, 405.1, 405.2, 407, 407.1, 416.2,
280/455.1, 491.5, 186, 433, 434, 438 R;
D21/315, 356, 524, 780; D8/70; D7/332,
D7/334, 110, 108, 109, 337, 107

See application file for complete search history.

(56) **References Cited**

U.S. PATENT DOCUMENTS

D235,088 S *	5/1975	Erickson	D7/332
D243,310 S *	2/1977	Heberling	D7/337
D258,108 S *	2/1981	Cone	D7/332
D265,881 S *	8/1982	Bell et al.	D7/337
D282,811 S *	3/1986	Best	D7/332
5,626,126 A *	5/1997	McNulty	126/276
5,640,949 A	6/1997	Smith		
D423,280 S *	4/2000	Lin	D7/363
D447,913 S *	9/2001	Cragg	D7/402

6,354,286 B1	3/2002	Davis		
D467,119 S	12/2002	McGargill		
6,582,745 B1 *	6/2003	Northern	426/523
6,588,418 B1 *	7/2003	Loving	126/276
6,701,913 B1 *	3/2004	LeDuc et al.	126/276
D530,246 S *	10/2006	Shipman	D12/162
2004/0040553 A1	3/2004	McKoski		
2004/0112369 A1 *	6/2004	LeDuc et al.	126/276
2005/0045169 A1	3/2005	Baris et al.		
2006/0086353 A1	4/2006	Ransford		

* cited by examiner

Primary Examiner—Cathron Brooks
Assistant Examiner—Michael A. Pratt
(74) *Attorney, Agent, or Firm*—Kyle Fletcher

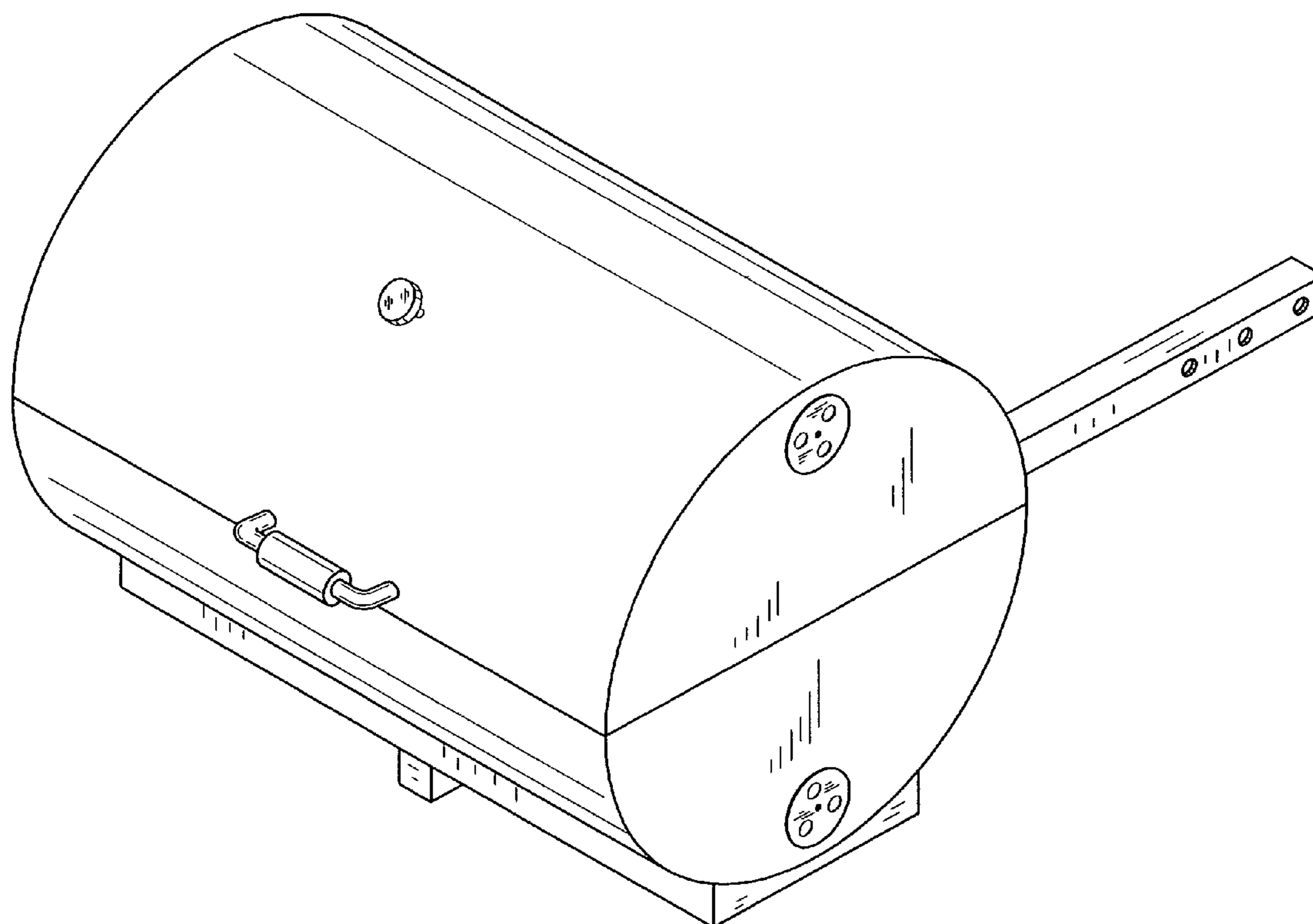
(57) **CLAIM**

The ornamental design for tailgate grill device, as shown and described.

DESCRIPTION

FIG. 1 is a front view of the device.
FIG. 2 is a rear view of the device.
FIG. 3 is a left view of the device.
FIG. 4 is a bottom view of the device.
FIG. 5 is a top view of the device; and,
FIG. 6 is an isometric view of the device.

1 Claim, 4 Drawing Sheets



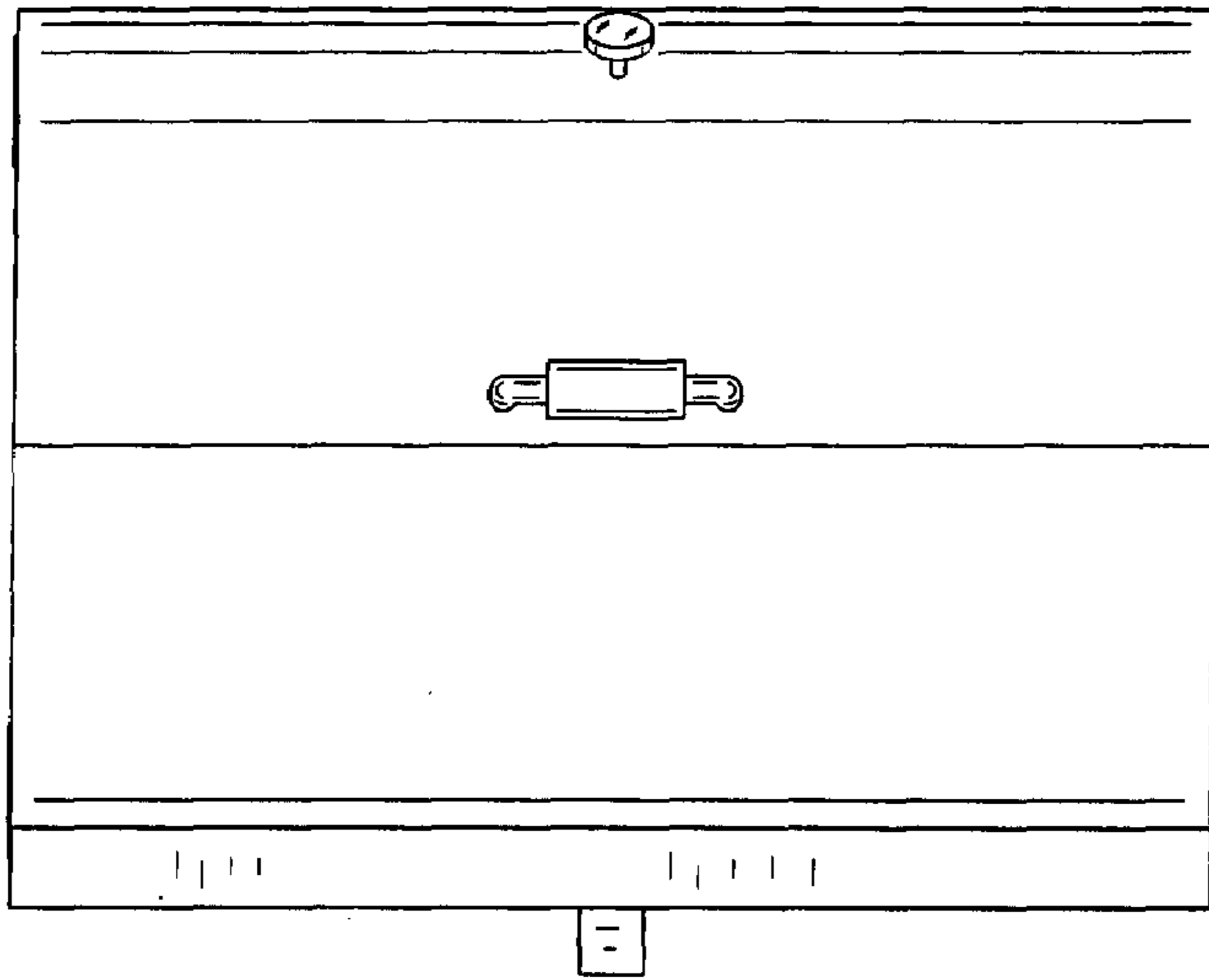


FIG. 1

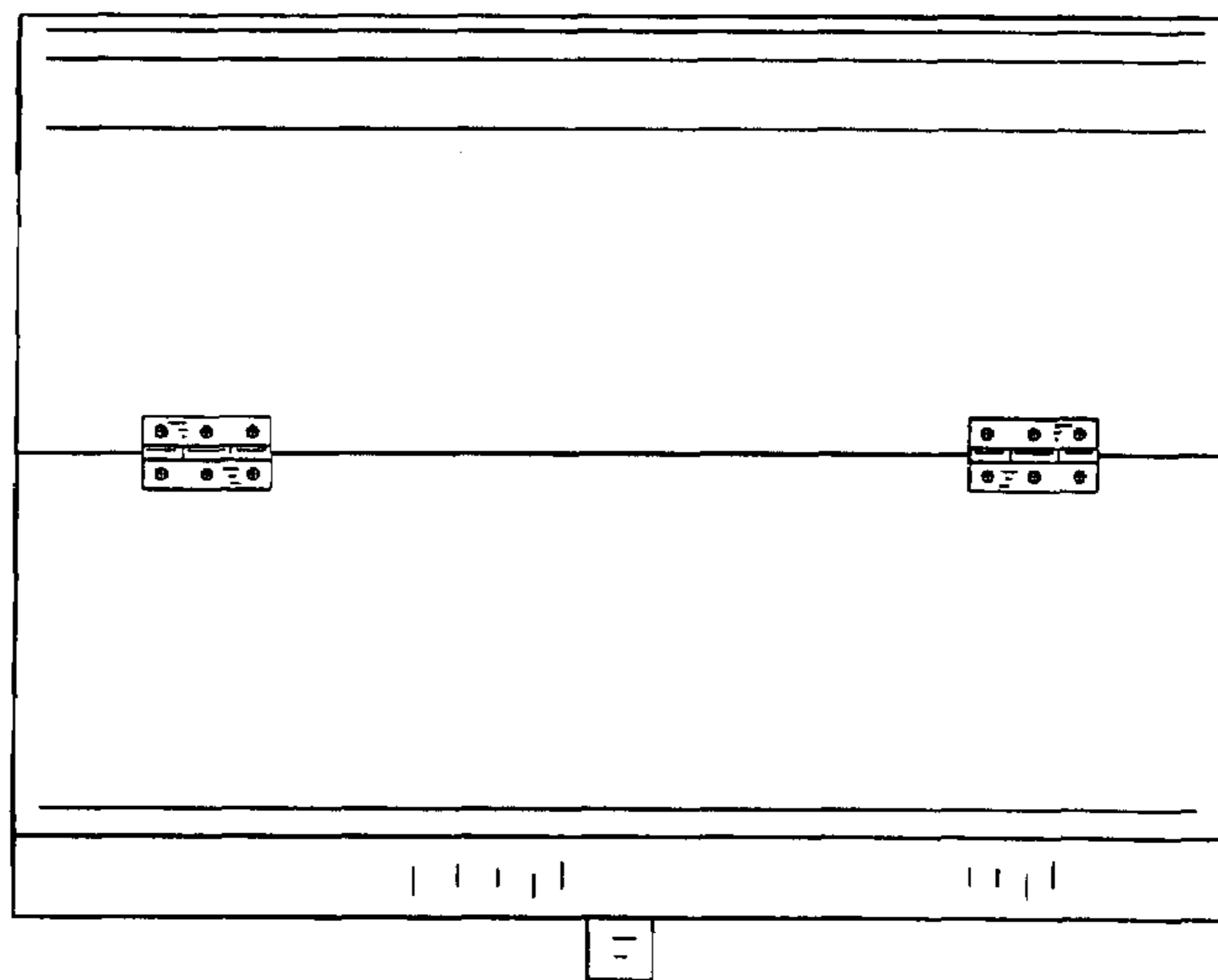


FIG. 2

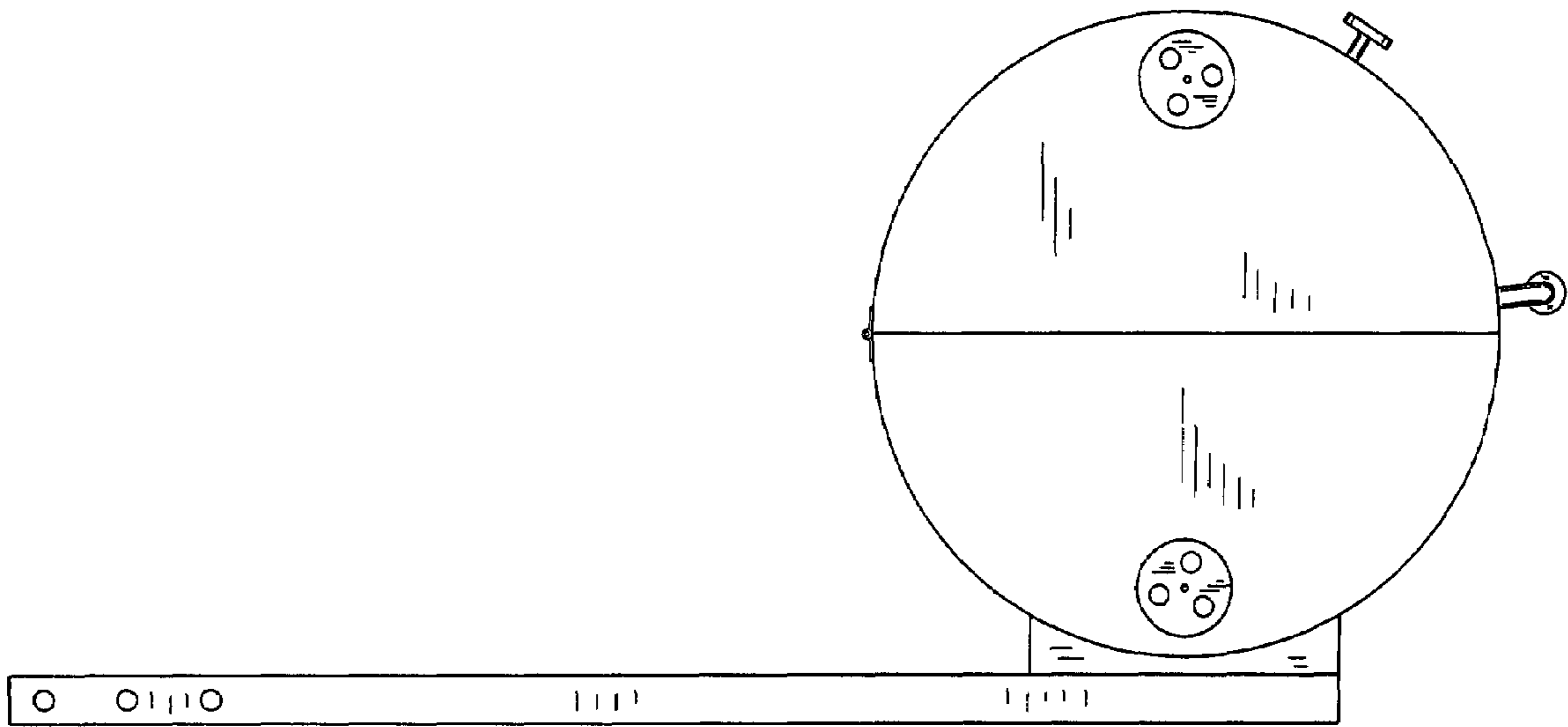


FIG. 3

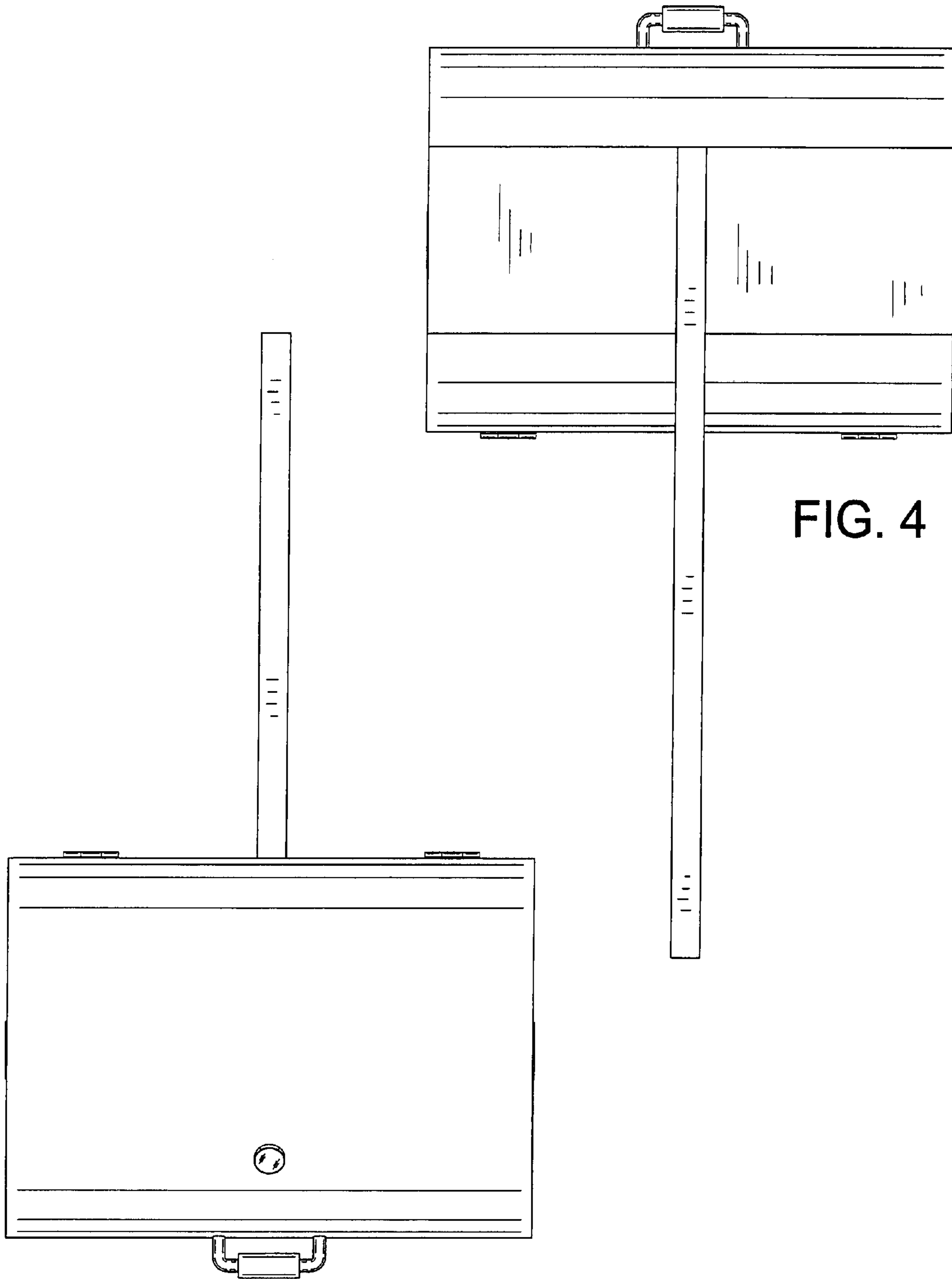


FIG. 4

FIG. 5

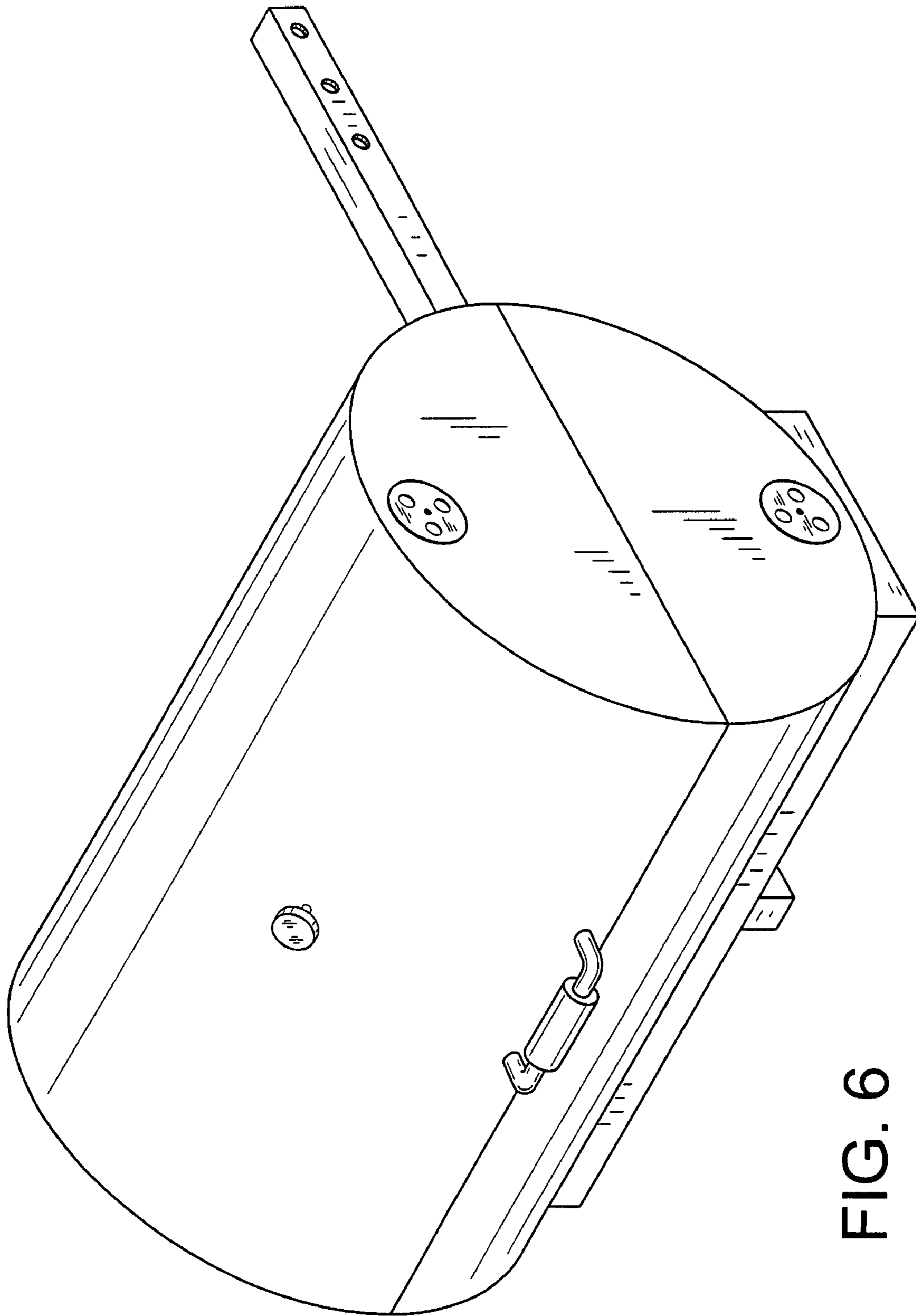


FIG. 6