



US00D566630S

(12) **United States Design Patent**
Ortiz

(10) **Patent No.:** **US D566,630 S**
(45) **Date of Patent:** **** Apr. 15, 2008**

(54) **TIE ROD**

(75) Inventor: **Victor Ortiz**, Imperial Beach, CA (US)

(73) Assignee: **Victor O Design, LLC**, Bonita, CA (US)

(**) Term: **14 Years**

(21) Appl. No.: **29/245,325**

(22) Filed: **Dec. 21, 2005**

(51) **LOC (8) Cl.** **12-16**

(52) **U.S. Cl.** **D12/159**

(58) **Field of Classification Search** D12/87,
D12/88, 93, 159, 160, 161, 400; D15/7;
D23/262; D8/383; 403/114, 132, 133, 135,
403/136, 138, 139; 74/607; 301/124.1,
301/125, 126, 127, 129, 137; 277/358; 285/264;
296/181.1, 187.01, 187.08, 193.01, 204,
296/205, 37.14

See application file for complete search history.

(56) **References Cited**

U.S. PATENT DOCUMENTS

4,615,638	A *	10/1986	Ito	403/135
5,613,792	A *	3/1997	Terada et al.	403/131
5,641,235	A *	6/1997	Maughan et al.	403/133
6,109,816	A *	8/2000	Iwasaki	403/135
2006/0140712	A1 *	6/2006	Sun et al.	403/135

* cited by examiner

Primary Examiner—Louis Zarfes
Assistant Examiner—Michael A. Pratt
(74) *Attorney, Agent, or Firm*—Frank G. Morkunas

(57) **CLAIM**

I claim the ornamental design for the tie rod, as shown and described.

DESCRIPTION

FIG. 1 is a perspective view of the tie rod showing the new design.

FIG. 2 is side view of the tie rod showing the new design, the opposite side view being the same.

FIG. 3 is an end view, from the right side of the tie rod showing the new design.

FIG. 4 is an end view from the left side of the tie rod showing the new design.

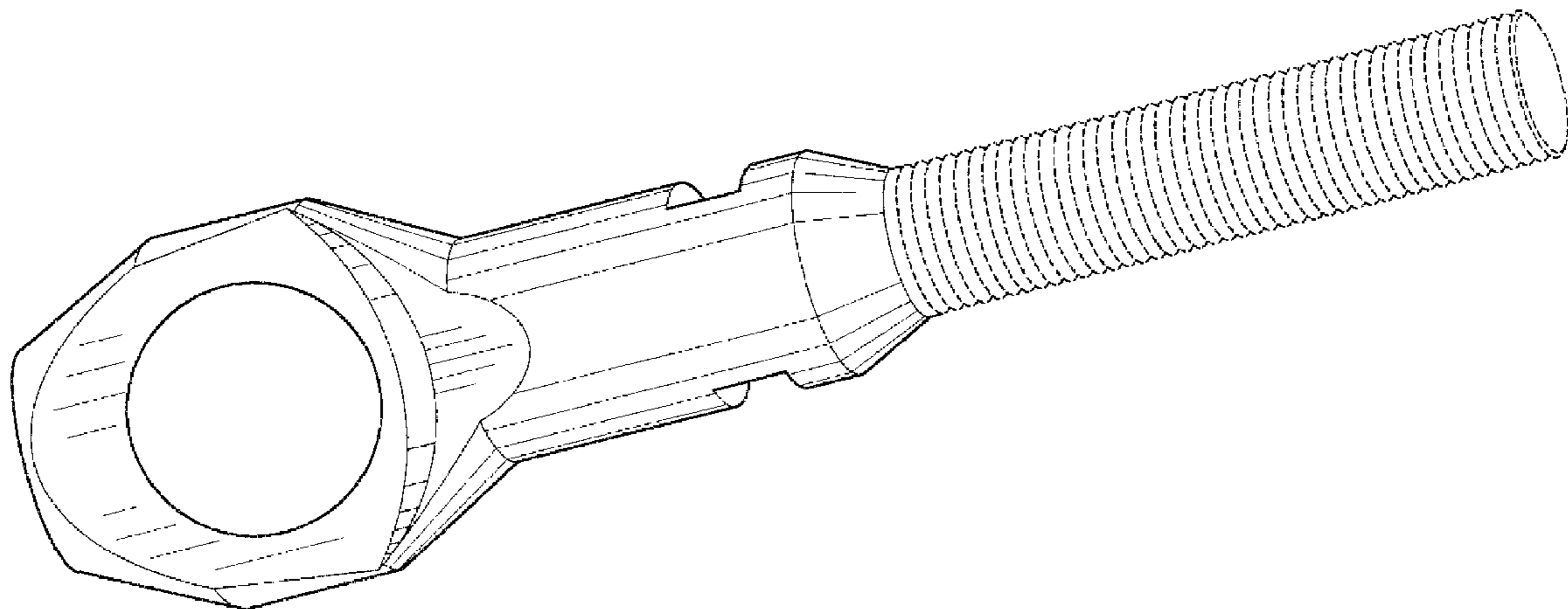
FIG. 5 is a rear view of the tie rod showing the new design; and,

FIG. 6 is a front view of a tie rod showing the new design.

The phantom lines in the figures are intended only to aid in the understanding of the claimed design, are for illustration purposes only showing an article upon which the claimed design may be associated or applied, and form no part of the claimed design.

The broken line showing of portions of the tie rod is included for the purpose of illustrating environment and forms no part of the claimed design.

1 Claim, 5 Drawing Sheets



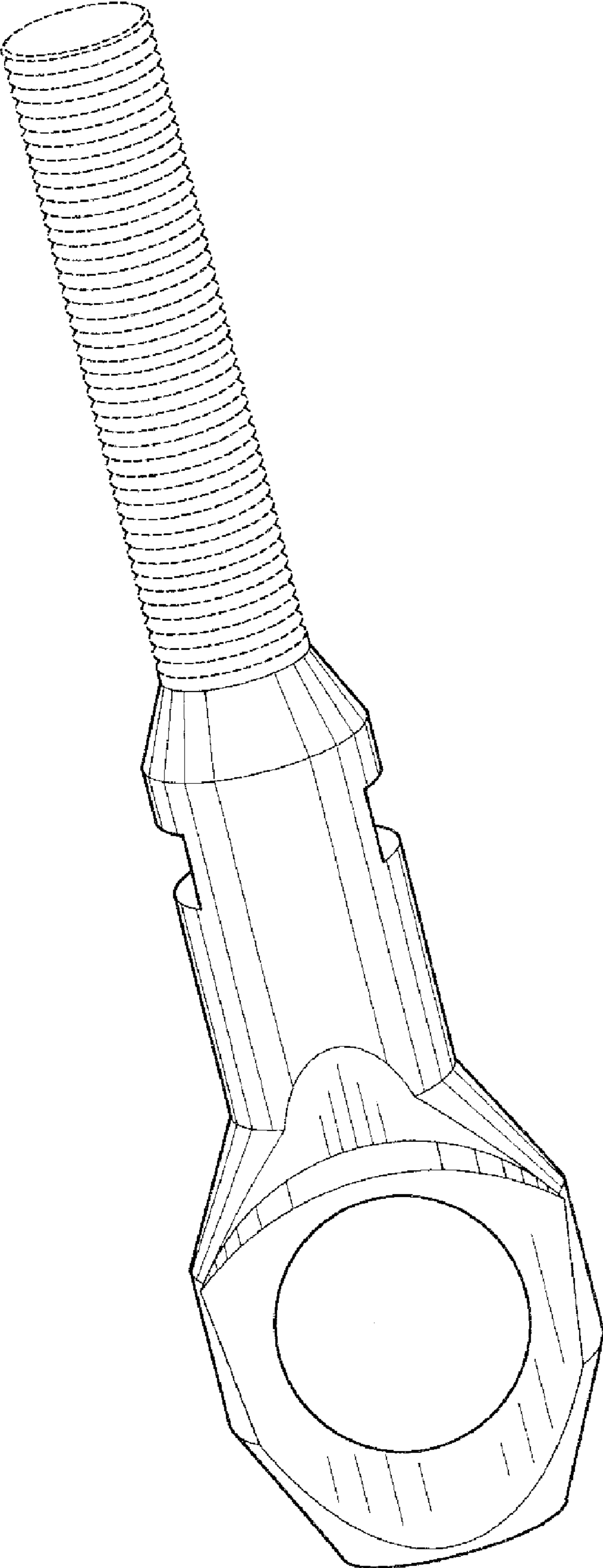


FIG. 1

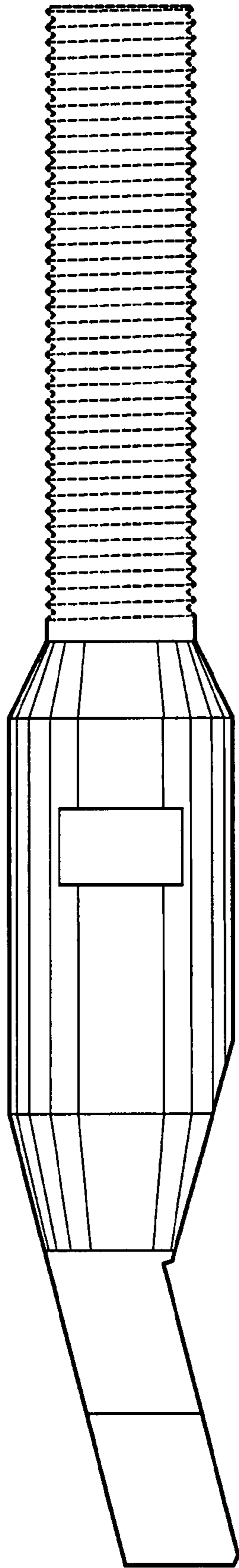


FIG. 2

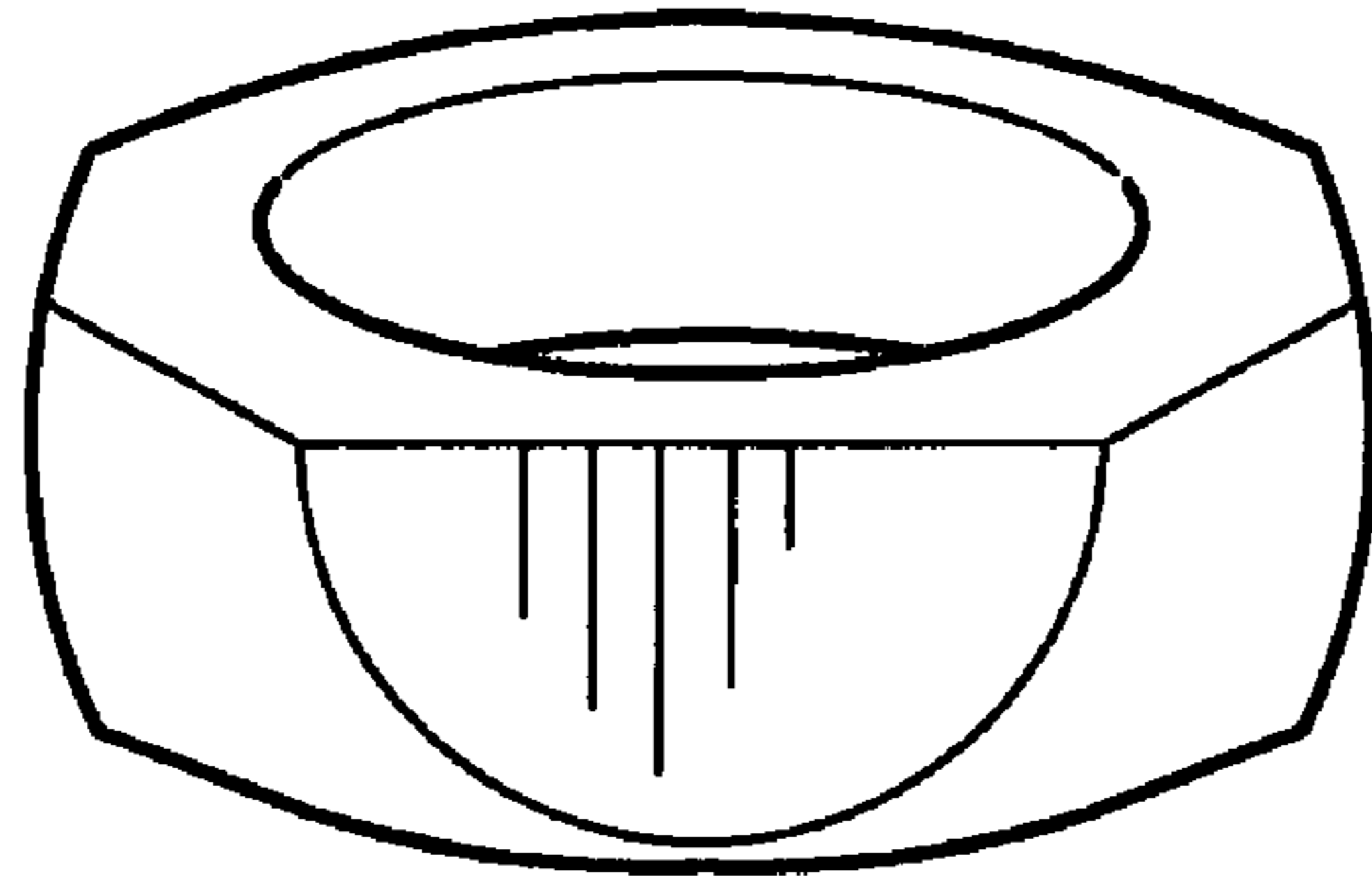


FIG. 4

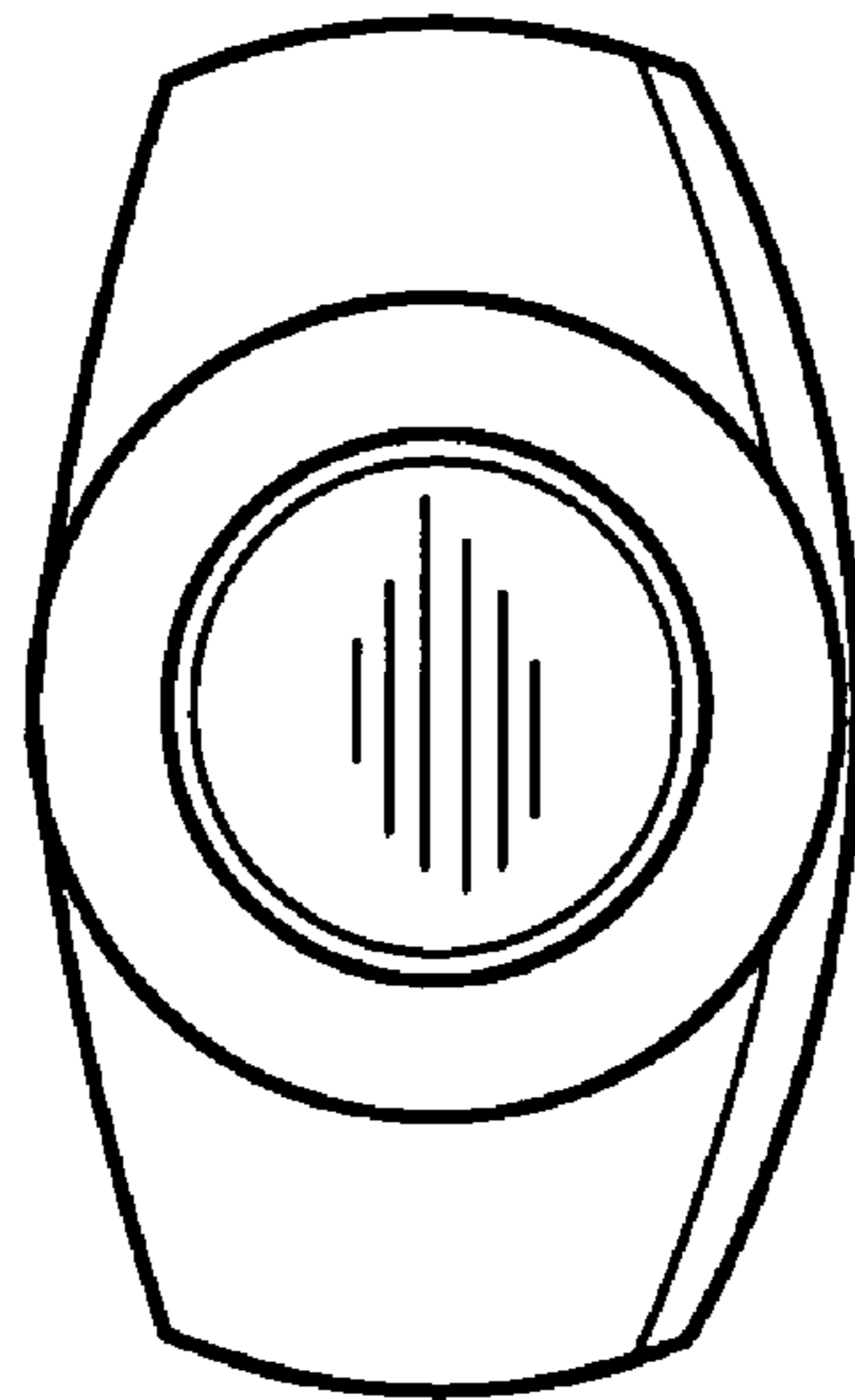


FIG. 3

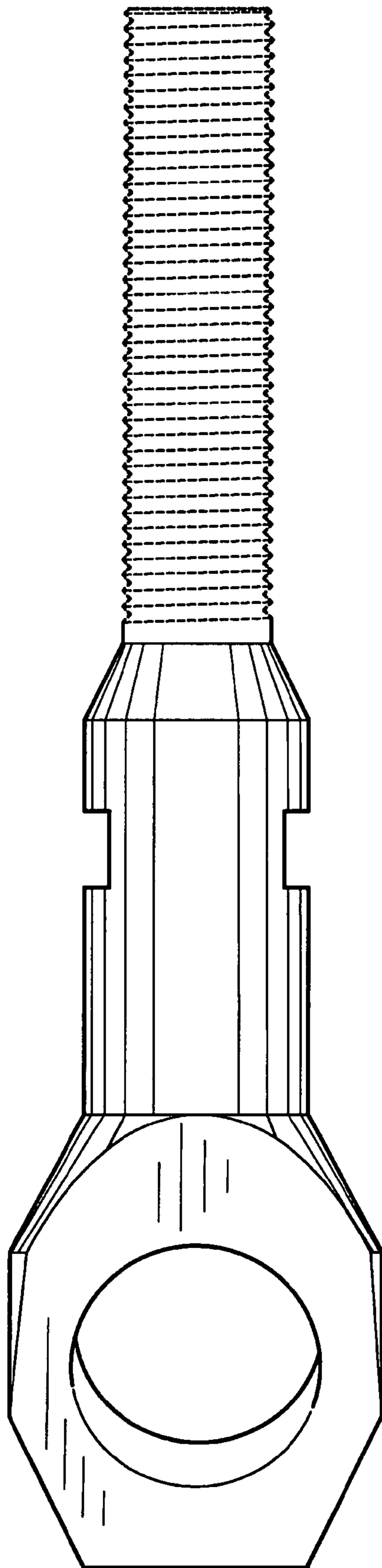


FIG. 5

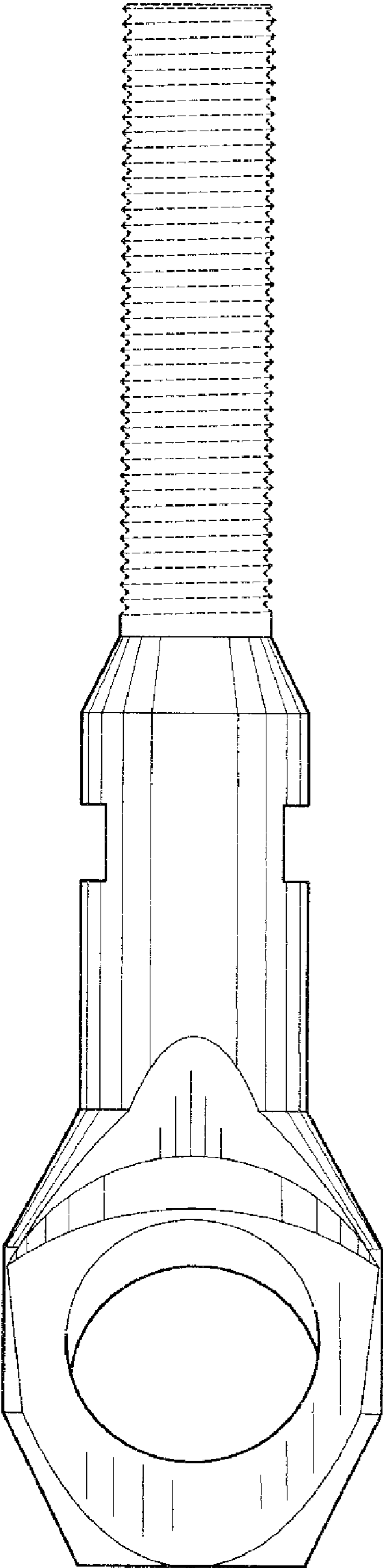


FIG. 6