

US00D566628S

(12) **United States Design Patent**
Steward

(10) **Patent No.:** **US D566,628 S**
(45) **Date of Patent:** **** Apr. 15, 2008**

(54) **BICYCLE STAND**

(57) **CLAIM**

(76) Inventor: **James John Steward**, 50 Burnhill Road, Beckenham, Kent BR3 3LA (GB)

The ornamental design for the bicycle stand, as shown and described.

(**) Term: **14 Years**

(21) Appl. No.: **29/263,273**

DESCRIPTION

(22) Filed: **Jul. 19, 2006**

(30) **Foreign Application Priority Data**

Jan. 31, 2006 (GB) 3023819

(51) **LOC (8) Cl.** **12-11**

(52) **U.S. Cl.** **D12/115**

(58) **Field of Classification Search** D12/115,
D12/120; 211/5, 17-22
See application file for complete search history.

FIG. 1 is a perspective view of a bicycle stand comprising the new design, with a typical user and a typical bicycle in broken lines to show environment and forming no part of the claimed design;

FIG. 2 is a perspective view thereof in an alternate position of use, with a typical bicycle in broken lines to show environment and forming no part of the claimed design;

FIG. 3 is a perspective view of the claimed design shown in FIG. 1;

(56) **References Cited**

U.S. PATENT DOCUMENTS

D230,780 S * 3/1974 Myers D12/115
D233,142 S * 10/1974 Sill D12/115
5,238,125 A * 8/1993 Smith 211/5

FIG. 4 is an exploded perspective view of the claimed design shown in FIG. 3;

FIG. 5 is an exploded top plan view of the claimed design shown in FIG. 3;

* cited by examiner

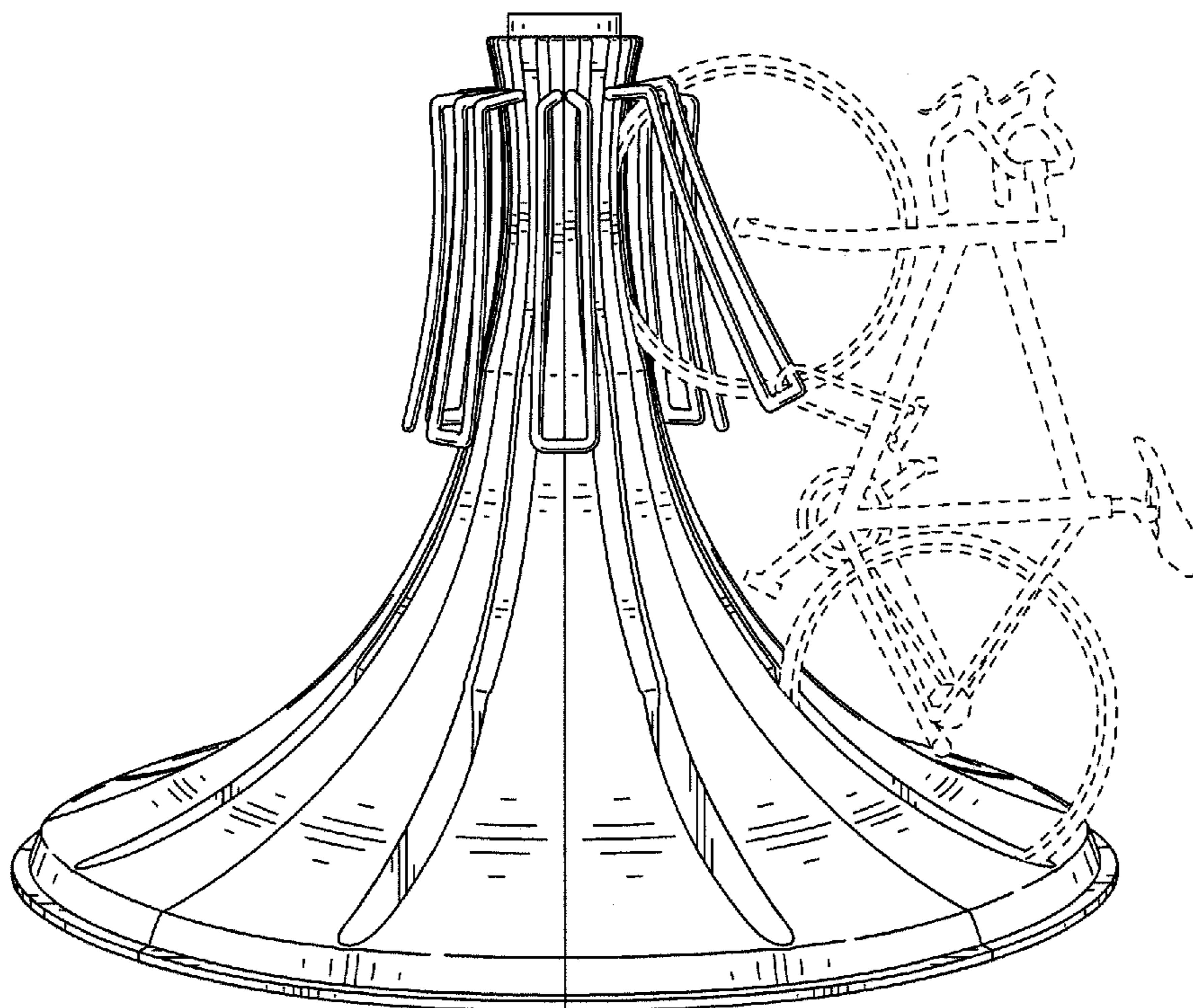
Primary Examiner—Cathron Brooks

Assistant Examiner—Linda Brooks

(74) *Attorney, Agent, or Firm*—Heslin Rothenberg Farley & Mesiti P.C.

FIG. 6 is a perspective view of a segment of the claimed design shown in FIG. 3, shown separately for clarity; and, FIG. 7 is a front elevation view of the segment shown in FIG. 6.

1 Claim, 7 Drawing Sheets



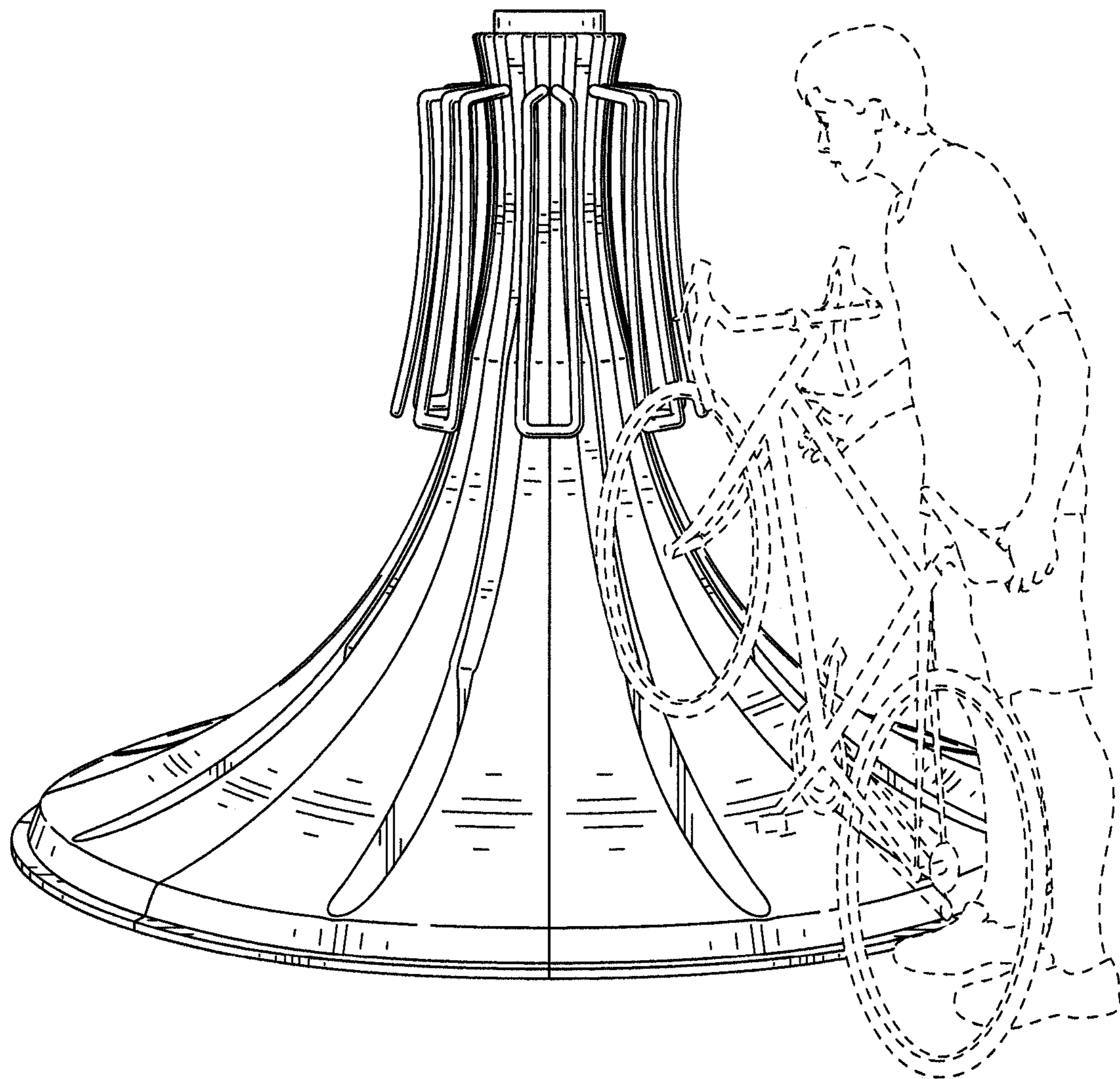


FIG. 1

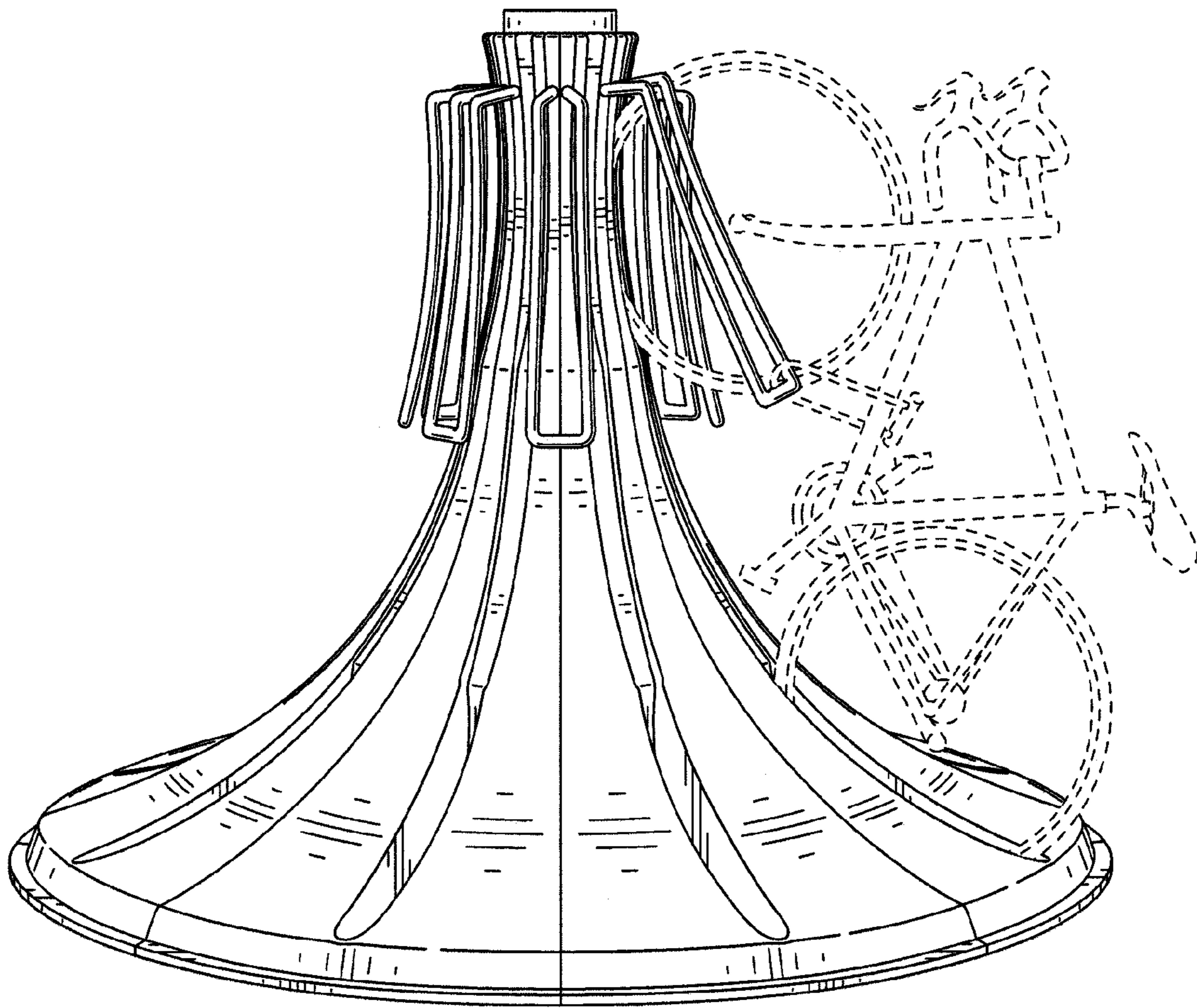


FIG. 2

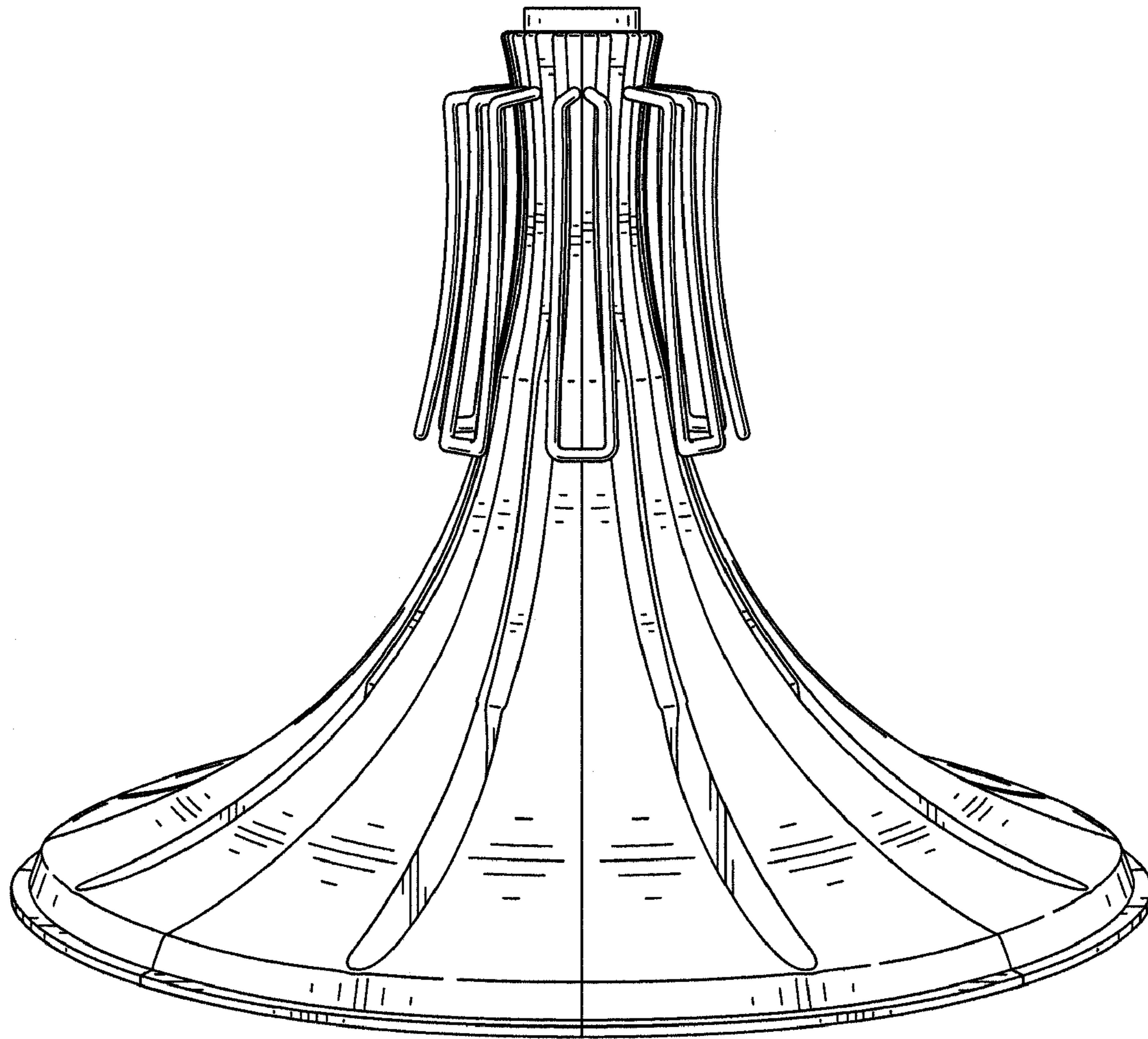


FIG. 3

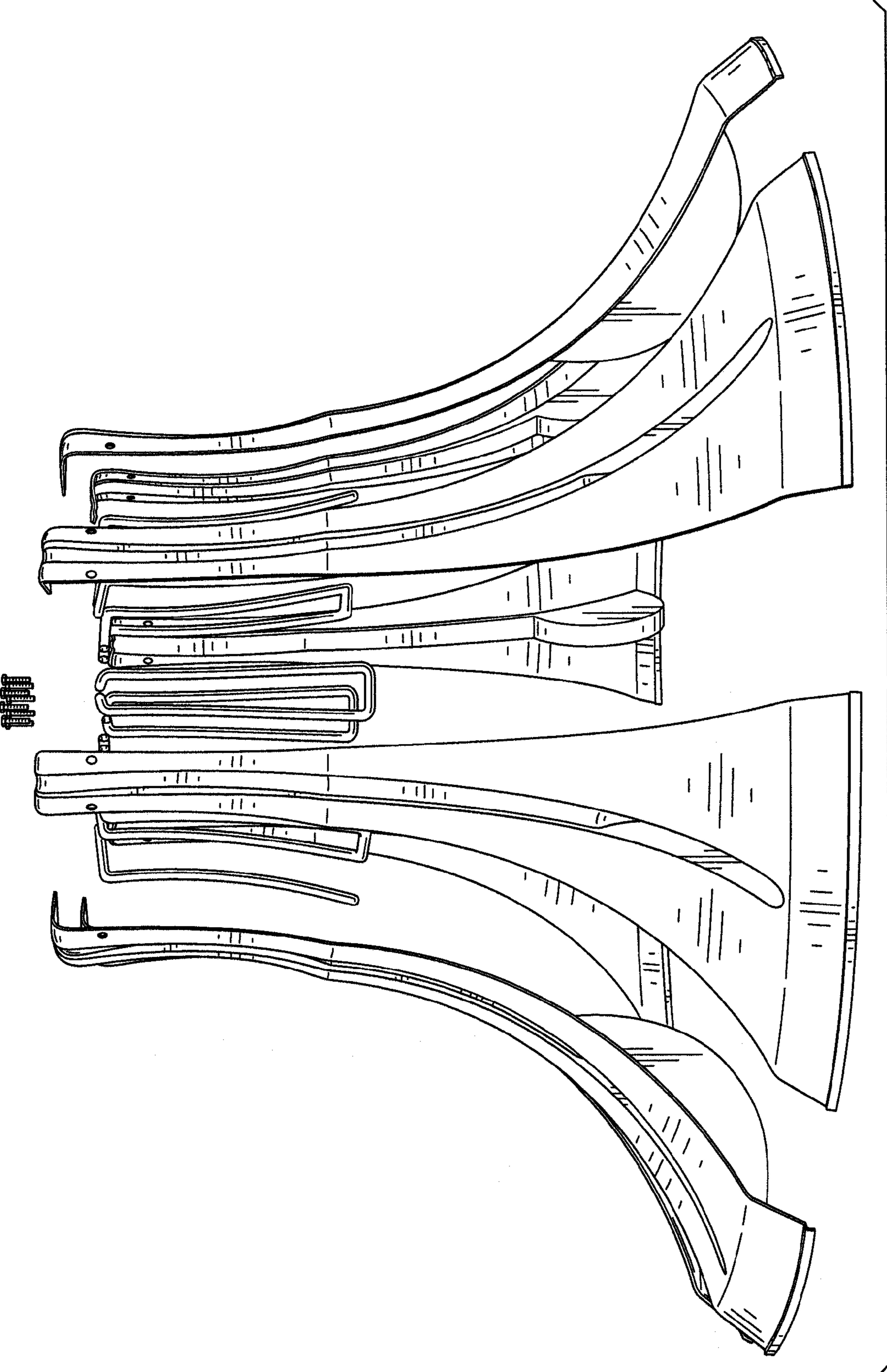


FIG. 4

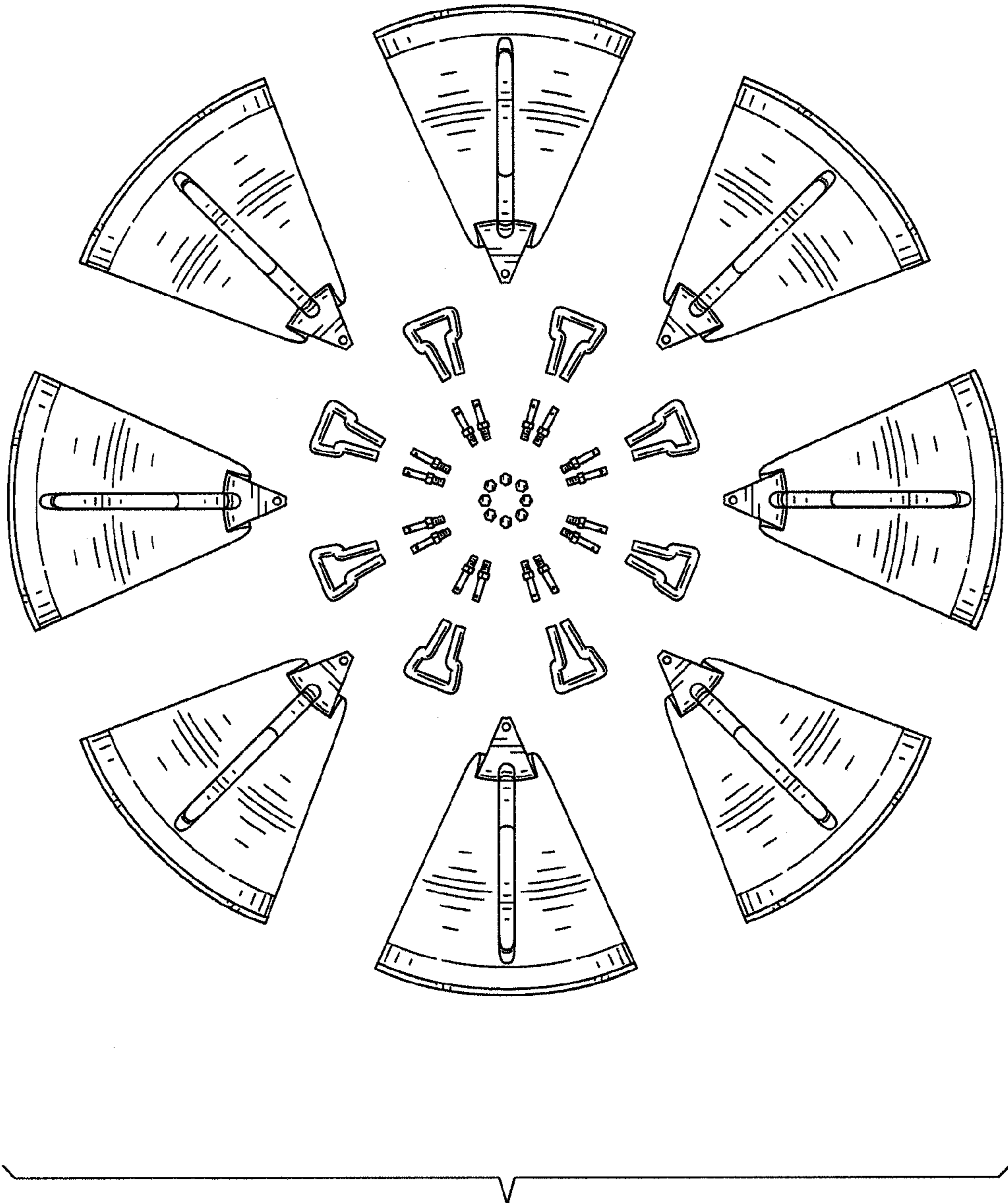


FIG. 5

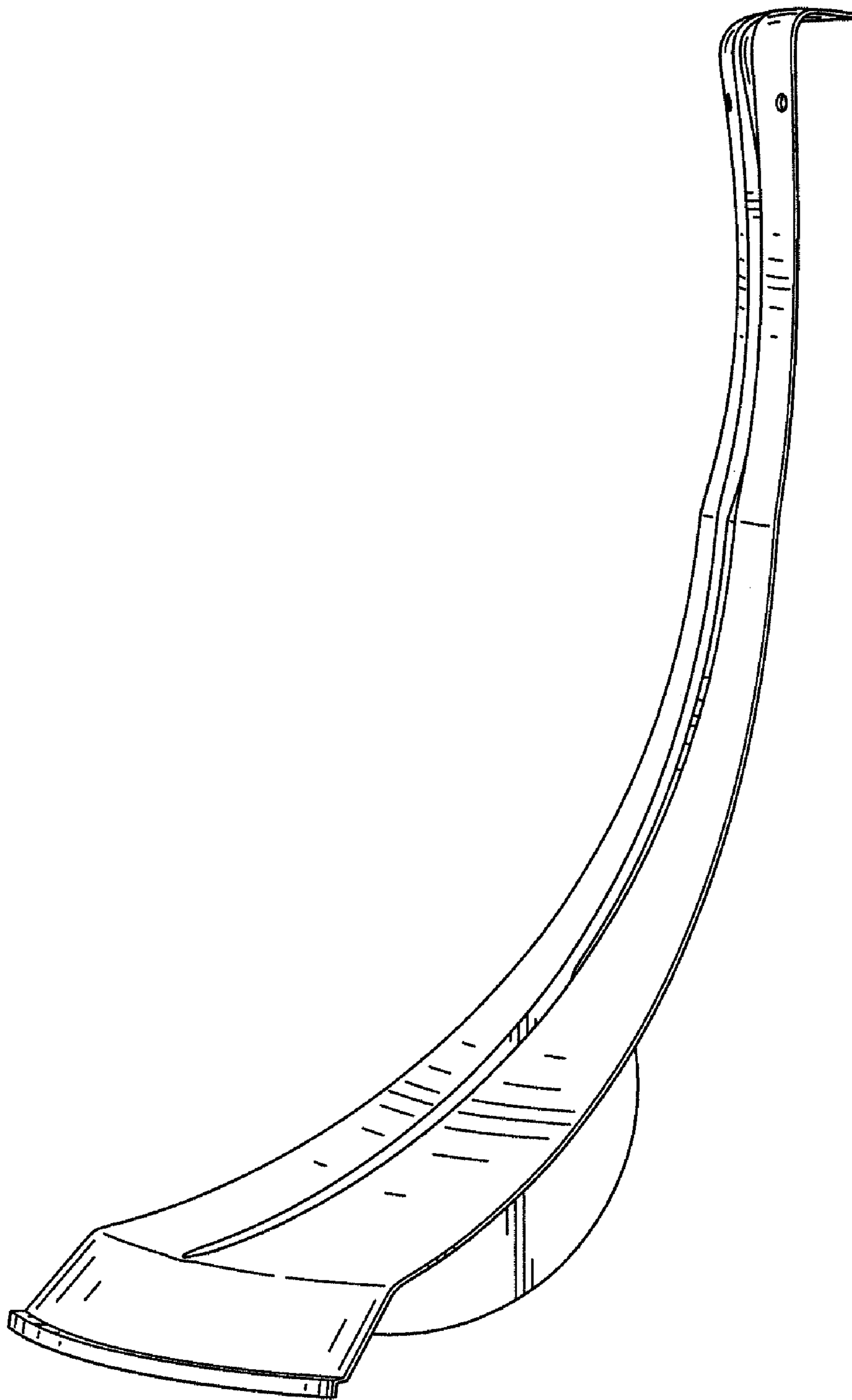


FIG. 6

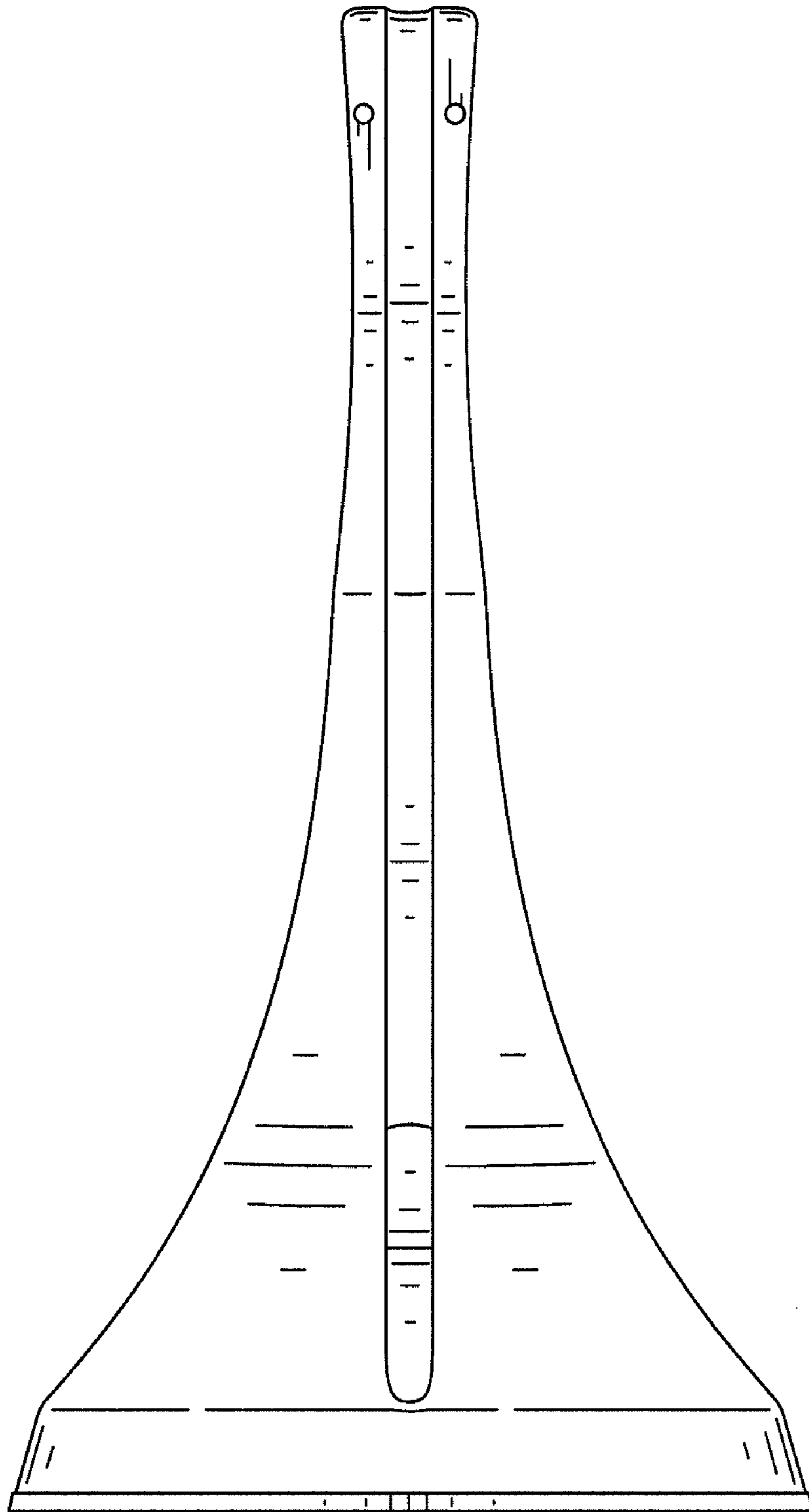


FIG. 7