



US00D566623S

(12) **United States Design Patent**
Dempsey et al.

(10) **Patent No.:** **US D566,623 S**

(45) **Date of Patent:** **** Apr. 15, 2008**

(54) **TRAILER**

(75) Inventors: **Thomas M. Dempsey**, Cedar Mountain, NC (US); **Gregory K. Mundt**, Duluth, GA (US); **Thomas W. Reeder**, Fletcher, NC (US)

(73) Assignee: **SylvanSport**, Cedar Mountain, NC (US)

(**) Term: **14 Years**

(21) Appl. No.: **29/281,685**

(22) Filed: **Jun. 28, 2007**

(51) **LOC (8) Cl.** **12-10**

(52) **U.S. Cl.** **D12/103**

(58) **Field of Classification Search** D12/101-106, D12/95, 97; 280/475, 656, 763.1, 482, 462; 206/181-183.1, 24.31, 156, 190, 173
See application file for complete search history.

(56) **References Cited**

U.S. PATENT DOCUMENTS

D196,499 S * 10/1963 Cox D12/104

D209,136 S * 11/1967 Christin D12/104
D242,851 S * 12/1976 Sakow D12/103
D384,010 S * 9/1997 Chiu D12/102
D422,243 S * 4/2000 Keirstead D12/102
D542,185 S * 5/2007 Remington D12/103

* cited by examiner

Primary Examiner—Stacia Cadmus

(74) *Attorney, Agent, or Firm*—Thomas, Kayden, Horstemeyer & Risley, LLP

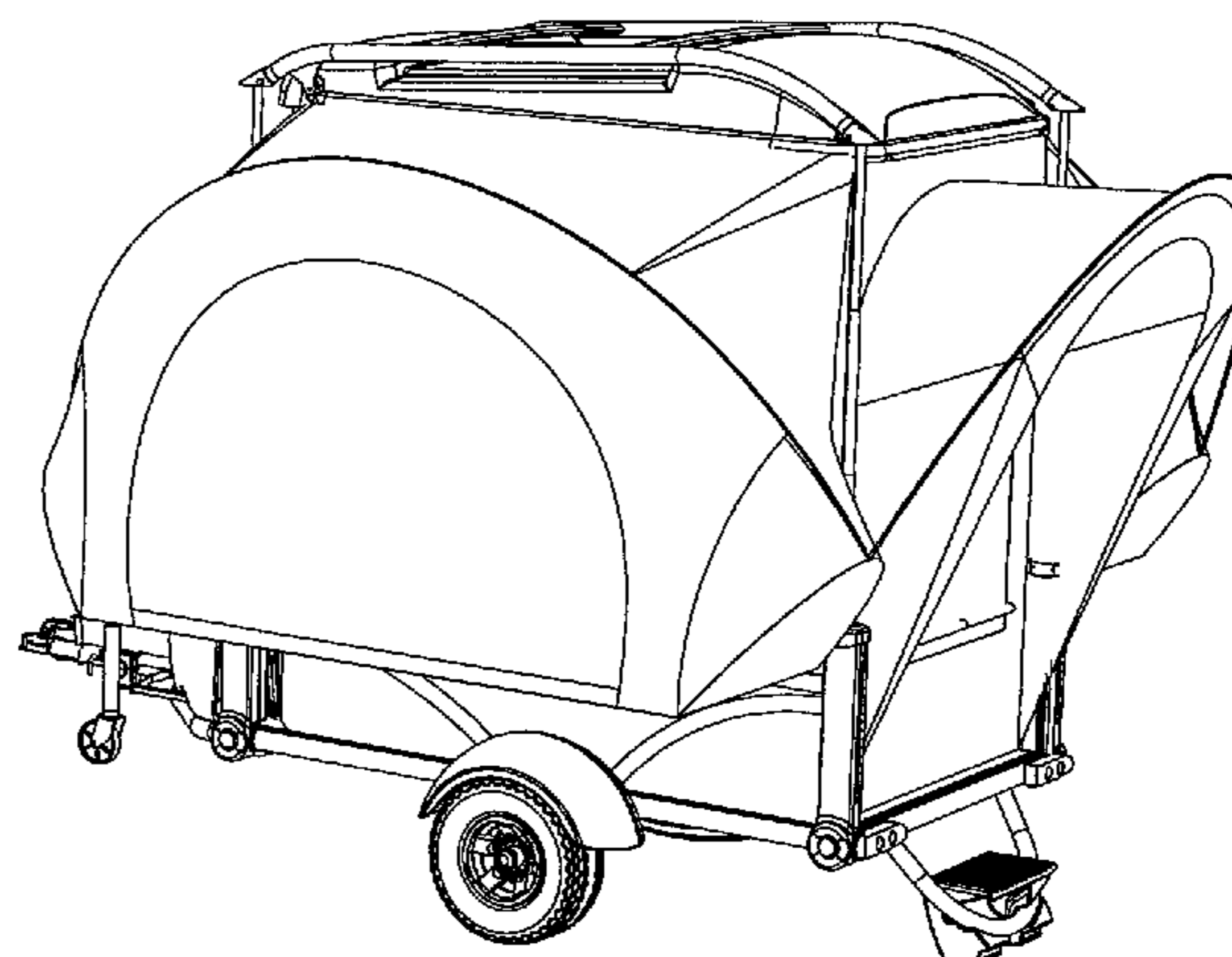
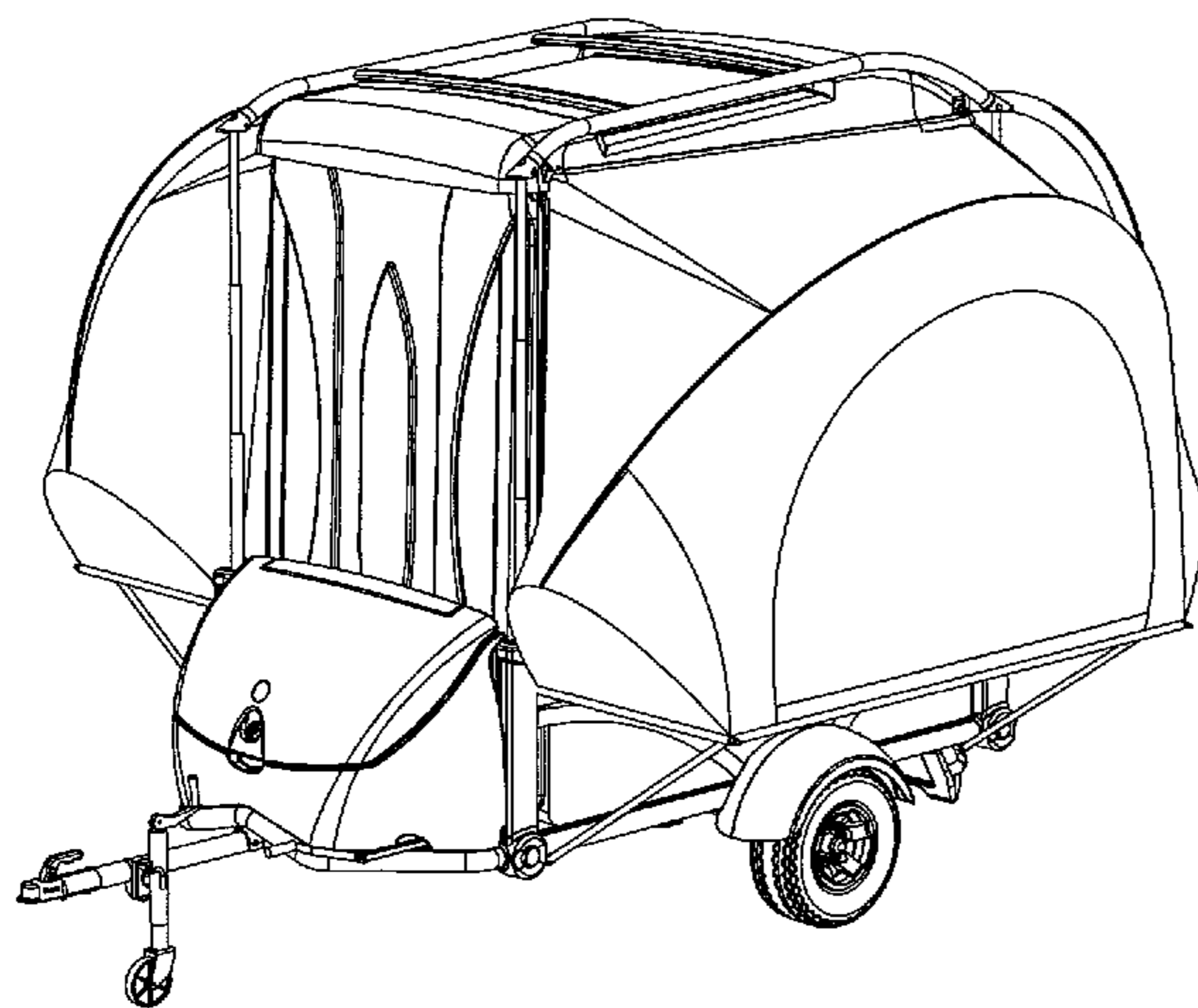
(57) **CLAIM**

The ornamental design for a trailer, as shown and described.

DESCRIPTION

FIG. 1 is a front perspective view showing our new trailer; FIG. 2 is a rear perspective view thereof; FIG. 3 is a front view thereof; FIG. 4 is a rear view thereof; FIG. 5 is a top view thereof; and, FIG. 6 is a left side view thereof, the right side view thereof being a mirror image of that which is shown.

1 Claim, 3 Drawing Sheets



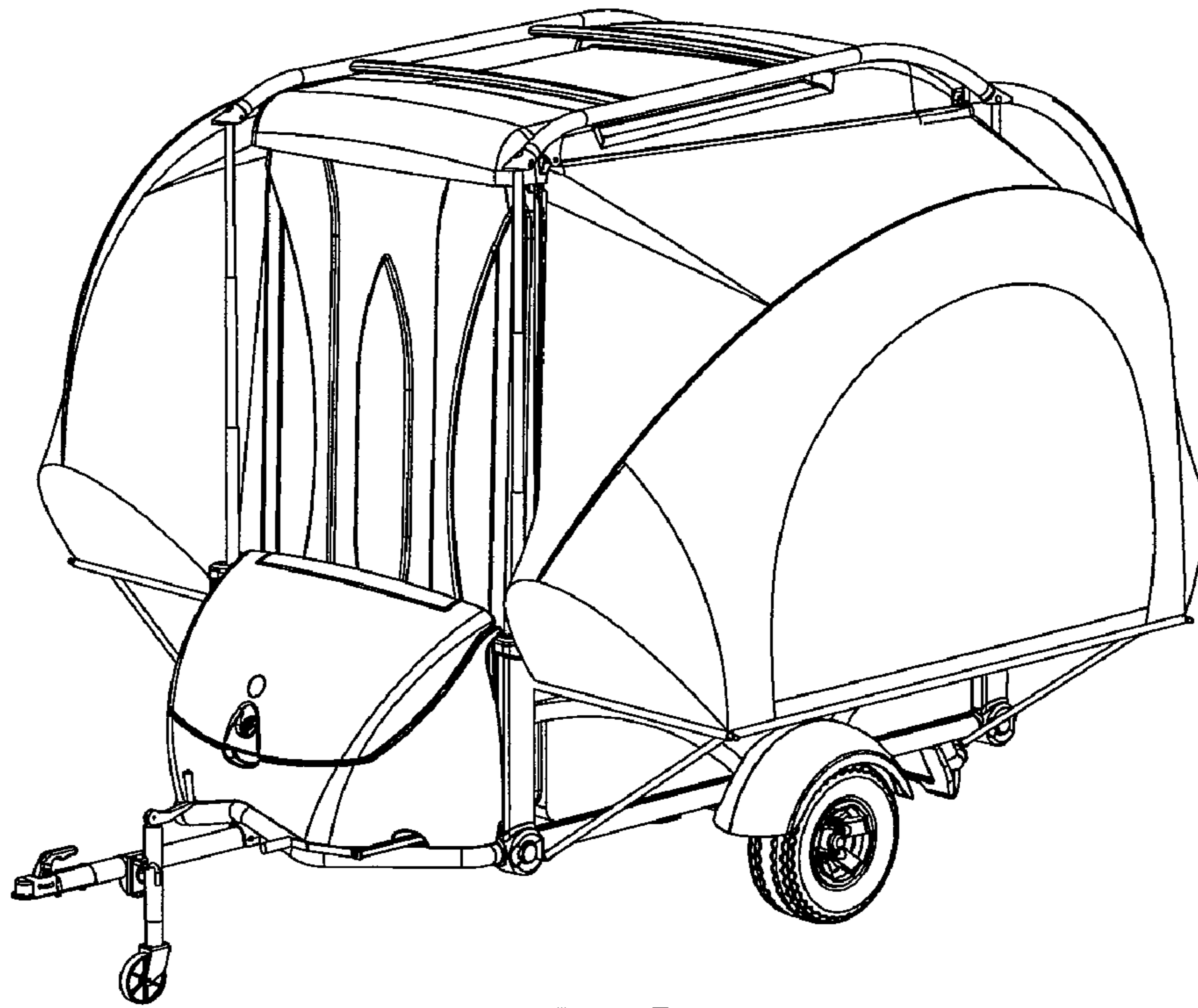


FIG.1

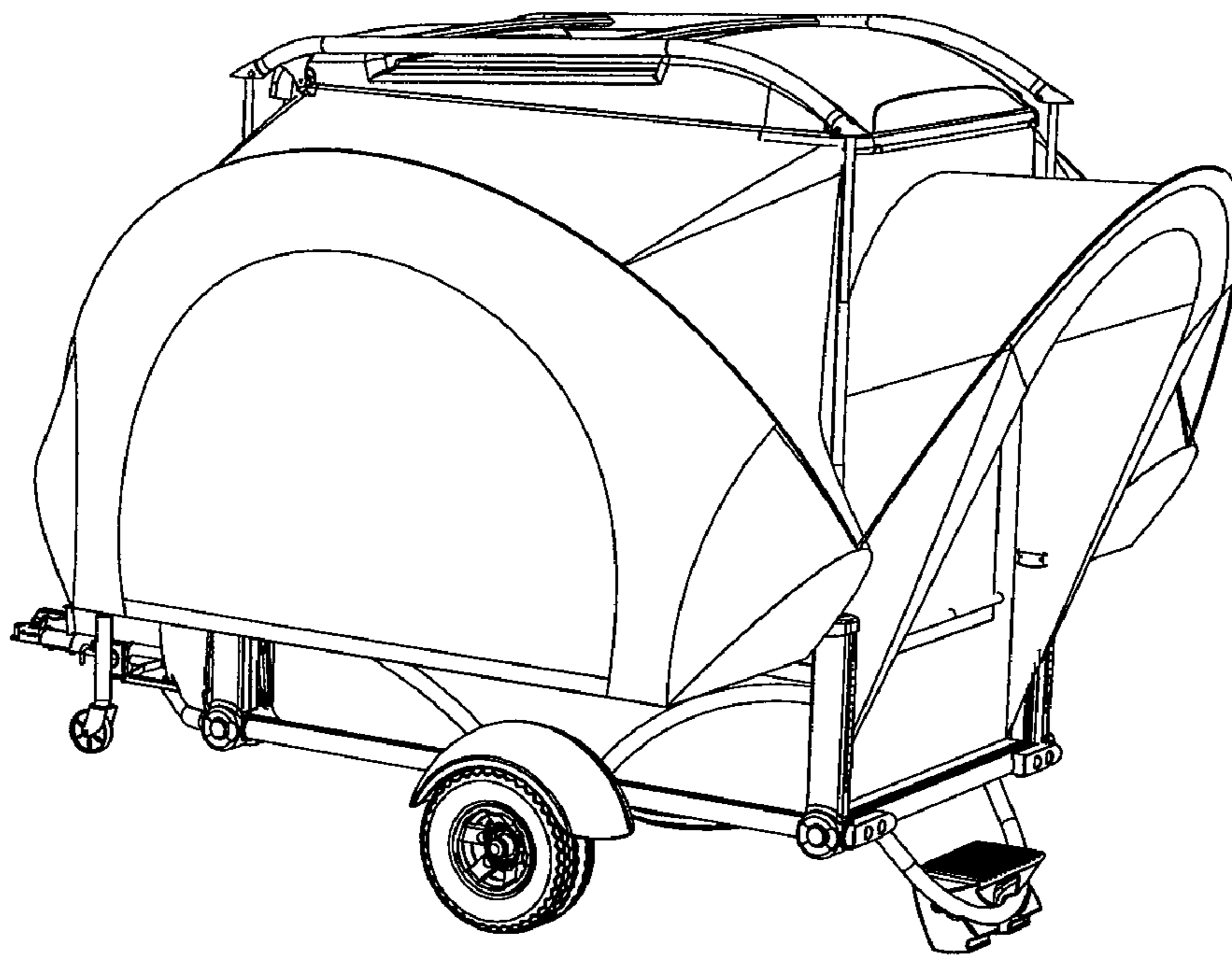


FIG.2

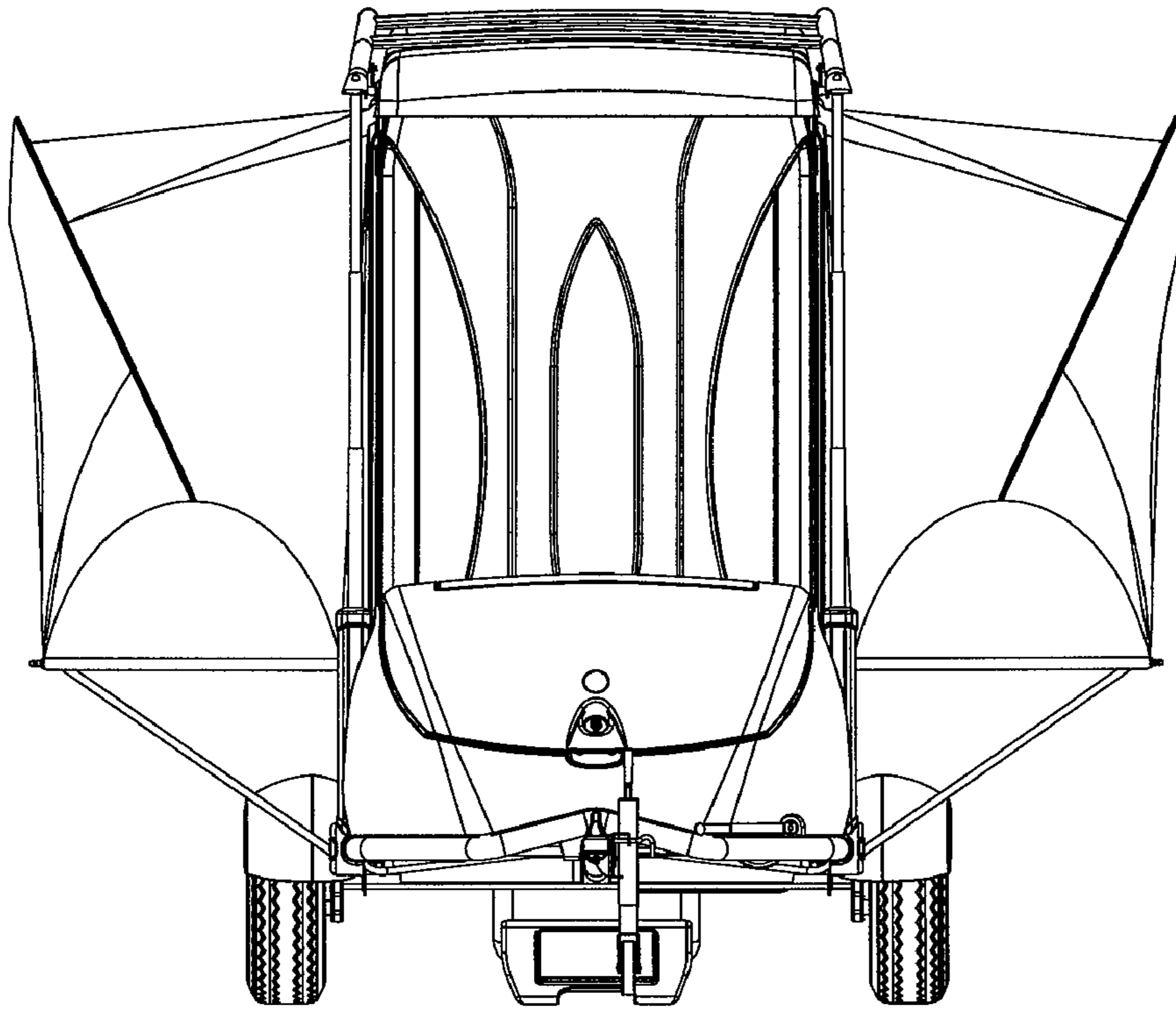


FIG.3

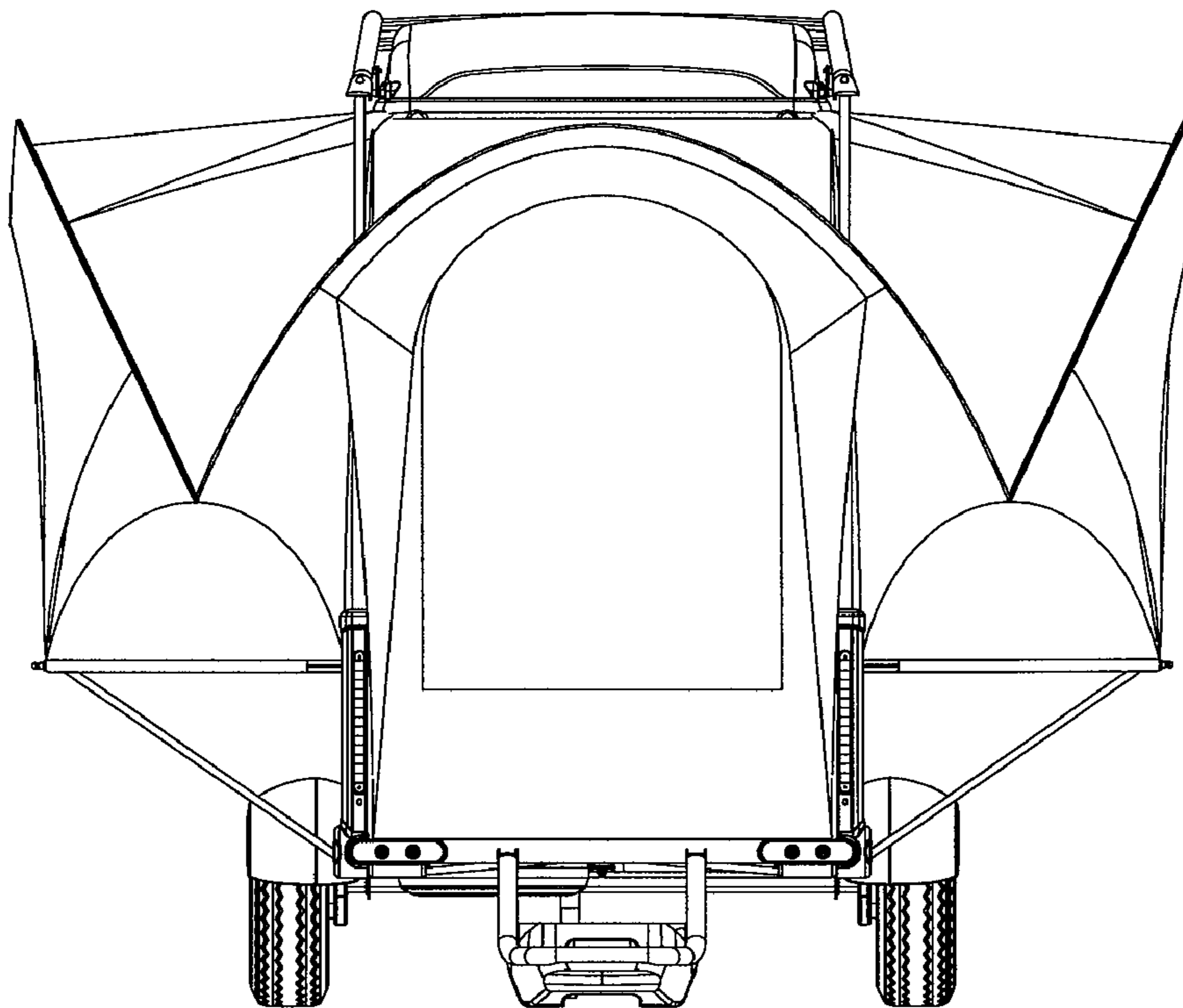


FIG.4

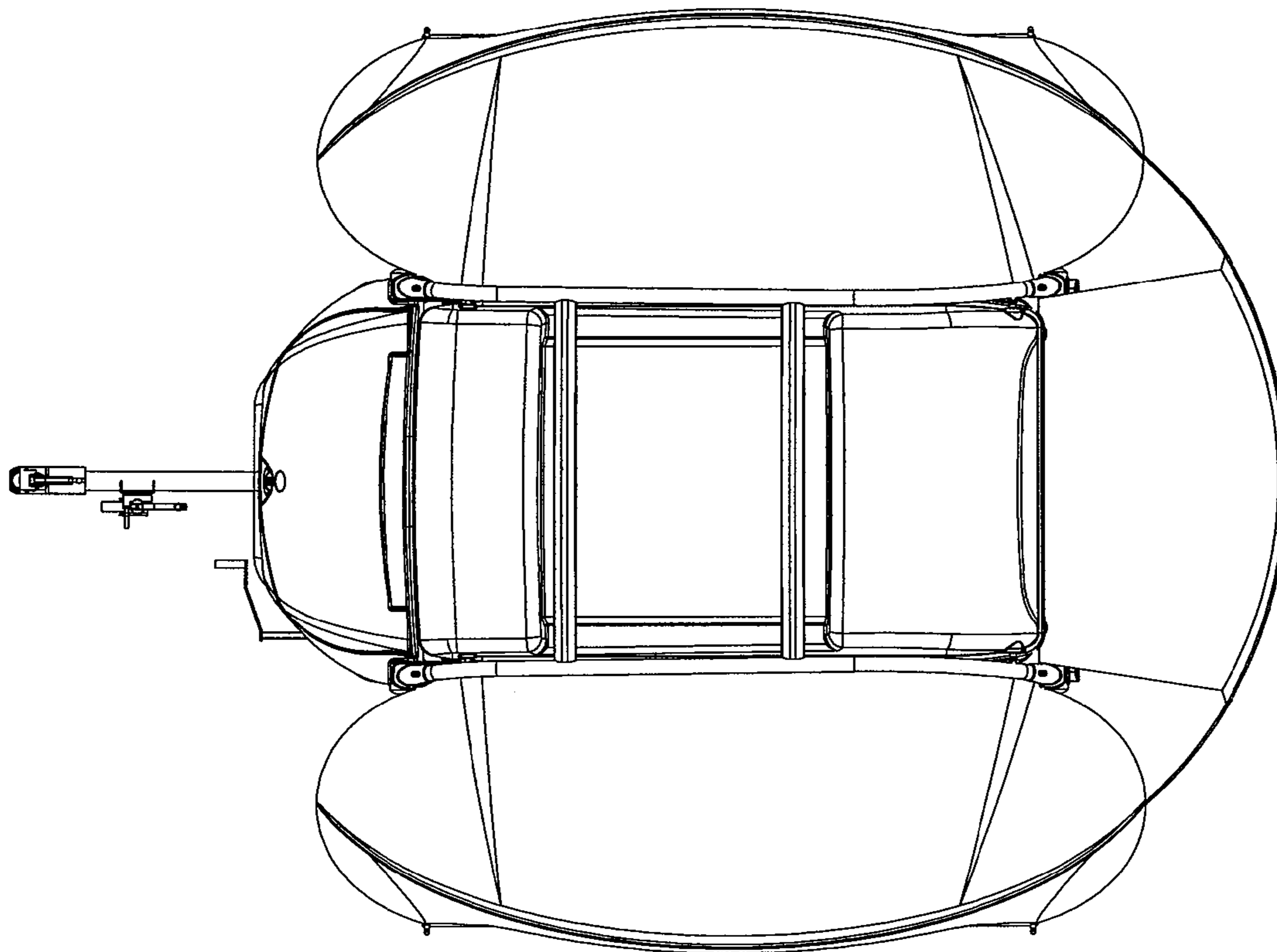


FIG.5

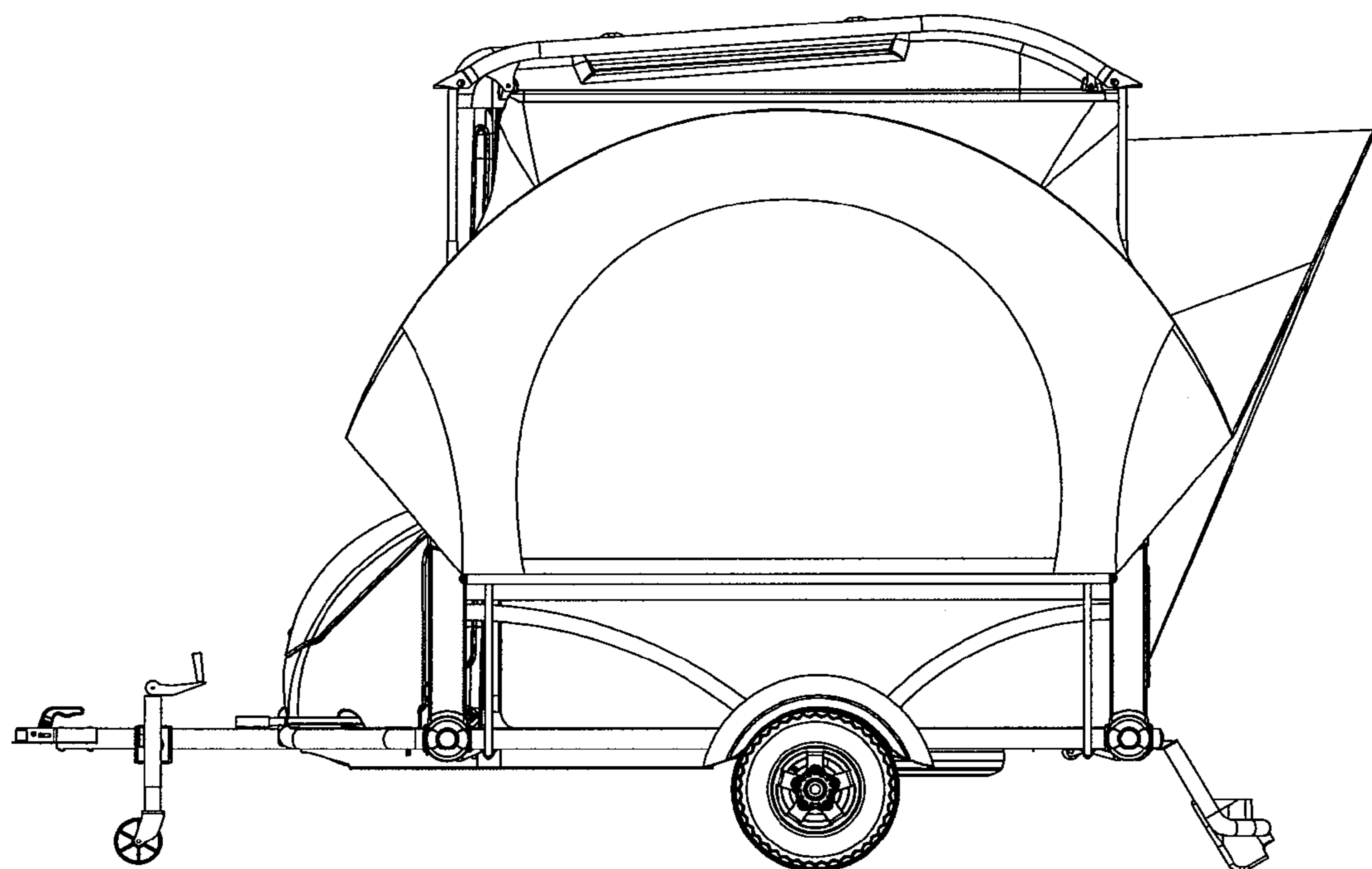


FIG.6